



US00D957690S

(12) **United States Design Patent**
Kim

(10) **Patent No.: US D957,690 S**

(45) **Date of Patent: ** *Jul. 12, 2022**

(54) **SUBWAY ENTRANCE GATE**

FOREIGN PATENT DOCUMENTS

(71) Applicant: **STRAFFIC Co., Ltd.**, Seongnam-si (KR)

CN 302896856 * 7/2014

CN 303618736 * 3/2016

CN 303685424 * 5/2016

CN 304298095 * 9/2017

CN 304876174 * 11/2018

CN 305975067 * 8/2020

(72) Inventor: **Sunghwan Kim**, Seoul (KR)

* cited by examiner

(73) Assignee: **STRAFFIC CO., LTD.**, Seongnam (KR)

(*) Notice: This patent is subject to a terminal disclaimer.

Primary Examiner — Leanne Was-Englehart

(74) *Attorney, Agent, or Firm* — Juan Carlos A. Marquez; Marquez IP Law Office, PLLC

(**) Term: **15 Years**

(21) Appl. No.: **29/726,580**

(57) **CLAIM**

(22) Filed: **Mar. 4, 2020**

The ornamental design for a subway entrance gate, as shown and described.

(51) **LOC (13) Cl.** **25-02**

(52) **U.S. Cl.**

USPC **D25/48.6**

(58) **Field of Classification Search**

USPC D25/48.1, 48.3, 48.5, 48.6

CPC .. G07C 9/00; G07C 9/15; E06B 11/00; E06B

11/08; E06B 11/085; E05F 15/649; G06K

7/087; G06K 7/10326; G07F 17/145

See application file for complete search history.

DESCRIPTION

FIG. 1 is a perspective view of a subway entrance gate, showing the new design;

FIG. 2 is a front view thereof;

FIG. 3 is a rear view thereof;

FIG. 4 is a left-side view thereof;

FIG. 5 is a right-side view thereof;

FIG. 6 is a top view thereof;

FIG. 7 is a bottom view thereof; and,

FIG. 8 is a reference view showing the status that the blocking plate is drawn inside the subway entrance gate to allow the entrance of the passenger.

The broken lines depict portions of the subway entrance gate that form no part of the claimed design.

(56) **References Cited**

U.S. PATENT DOCUMENTS

D782,700 S * 3/2017 Rauta D25/48.5

D795,452 S * 8/2017 Rauta D25/48.5

D799,061 S * 10/2017 Rauta D25/48.5

D825,781 S * 8/2018 Behrooznia D25/48.6

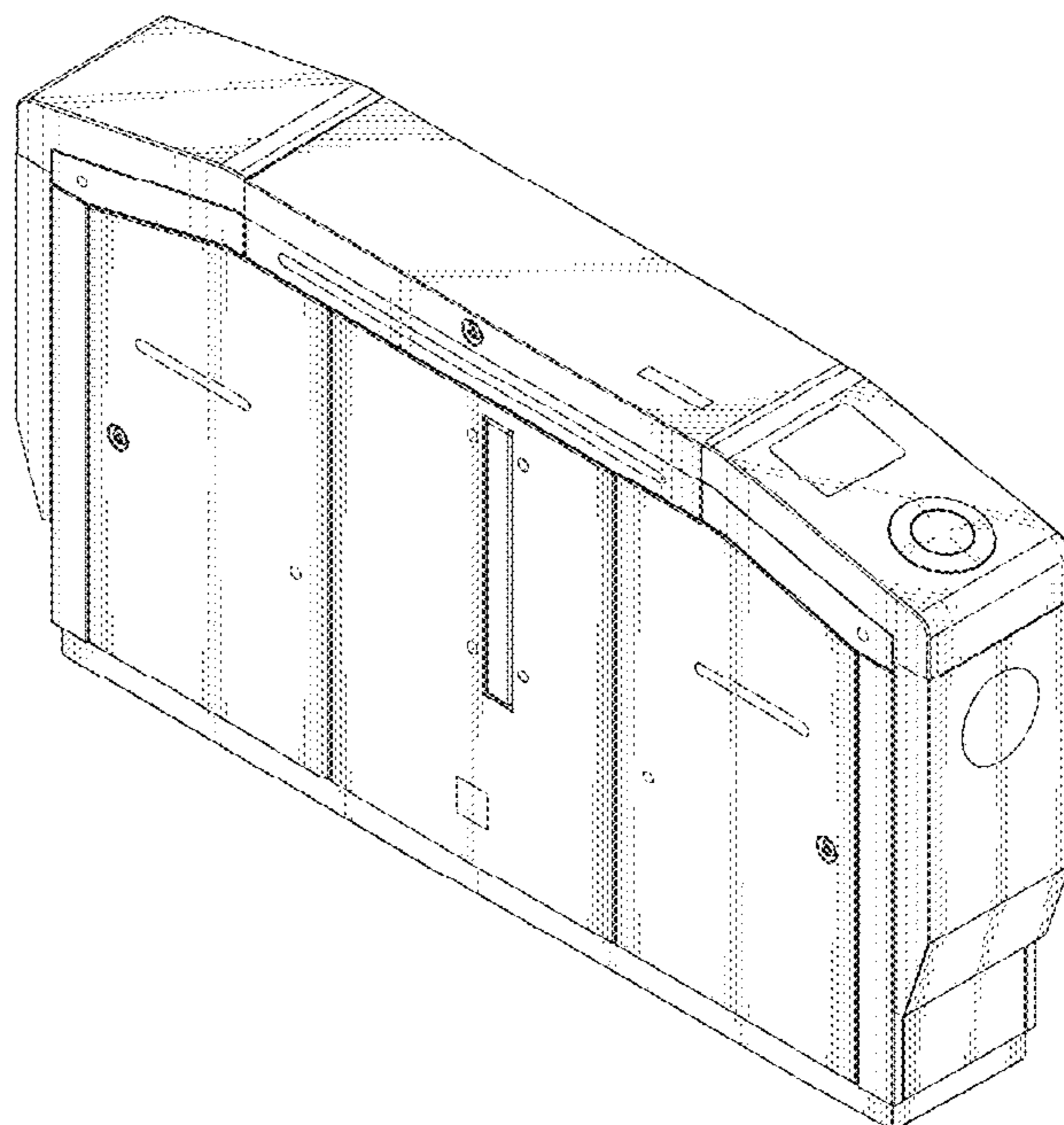
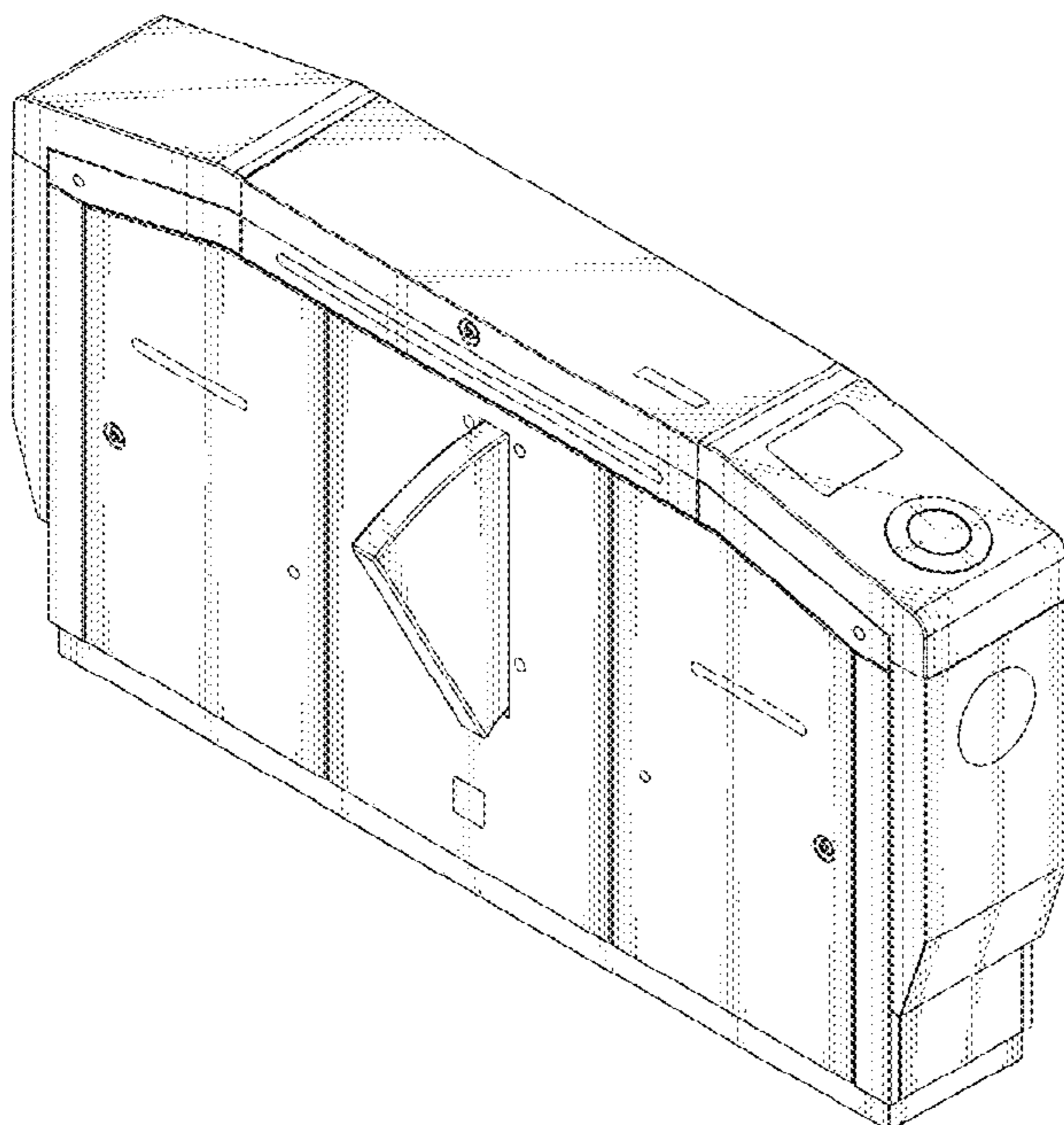
D895,151 S * 9/2020 Giugiaro D25/48.6

D915,621 S * 4/2021 Miura D25/48.6

2013/0259325 A1 * 10/2013 Tsou G06K 9/00302

382/118

1 Claim, 8 Drawing Sheets



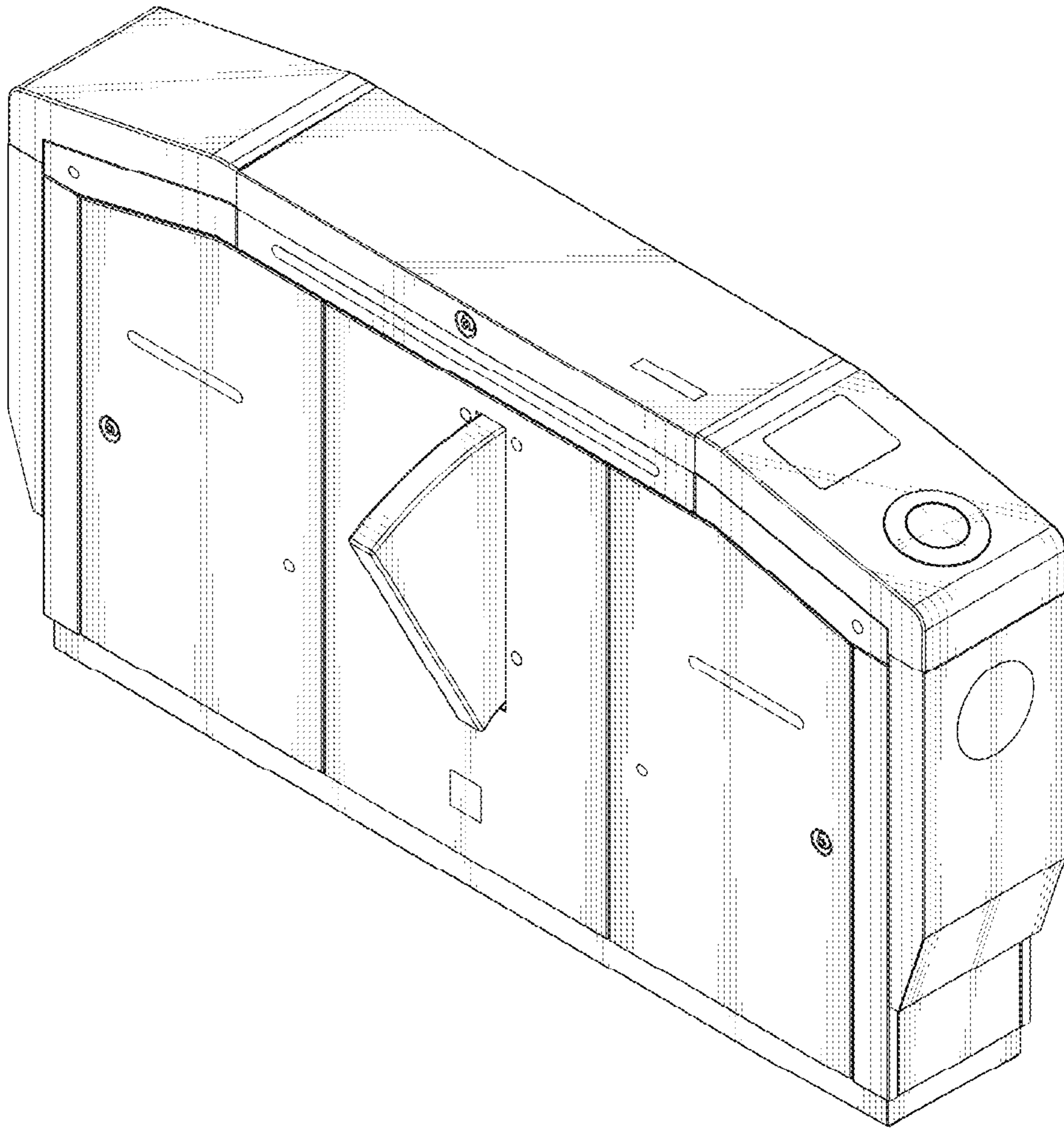


FIG. 1

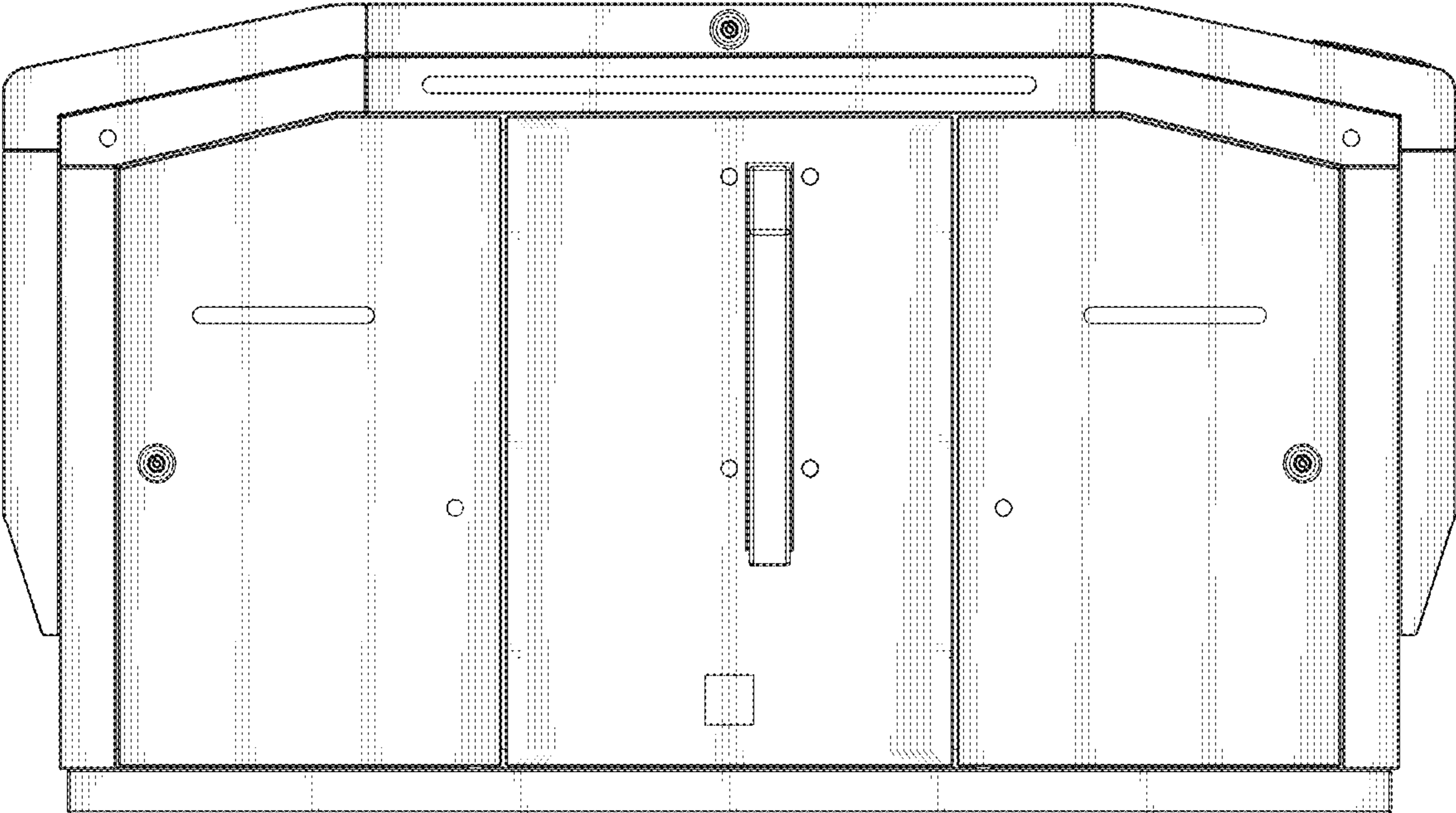


FIG. 2

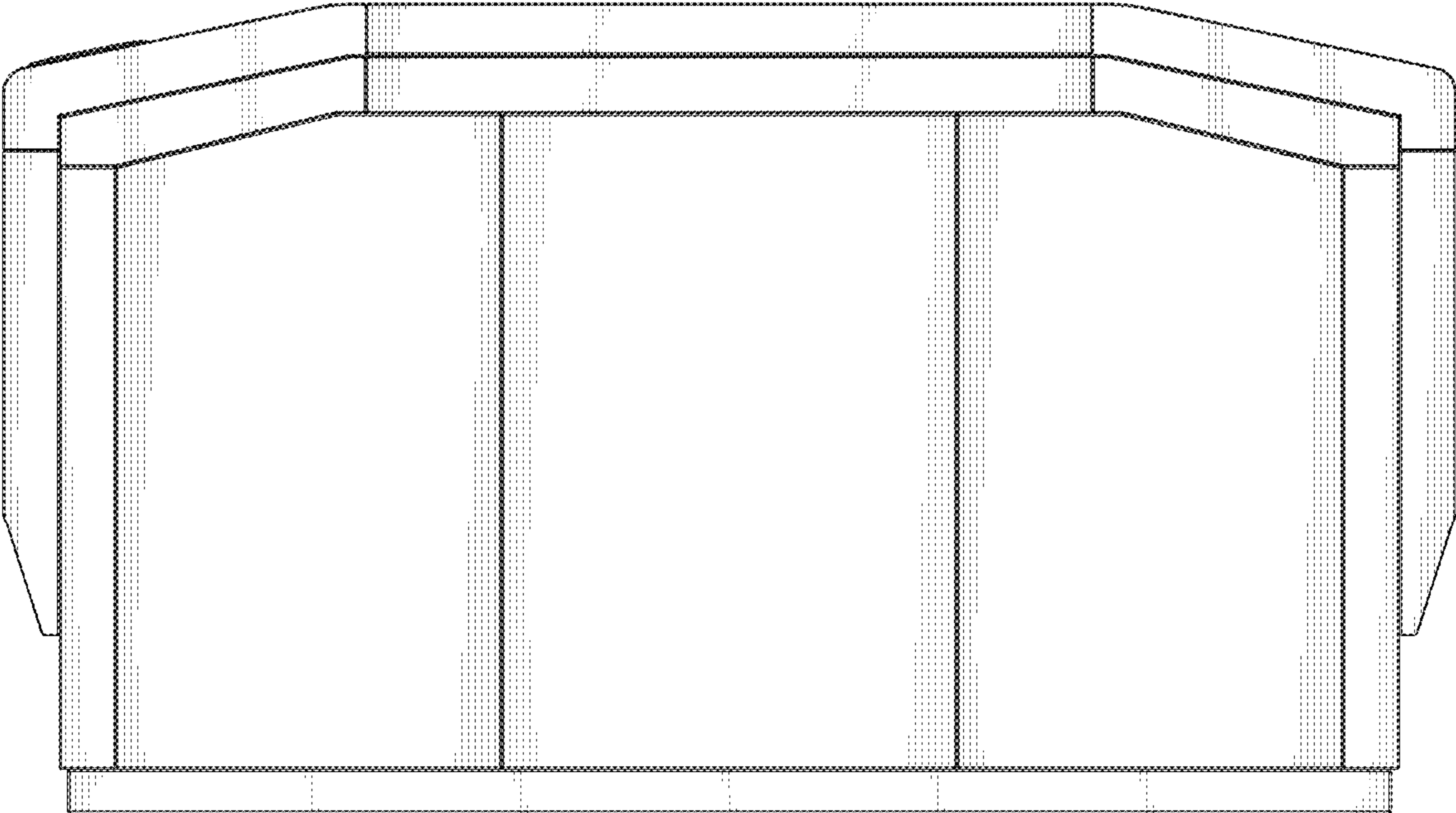


FIG. 3

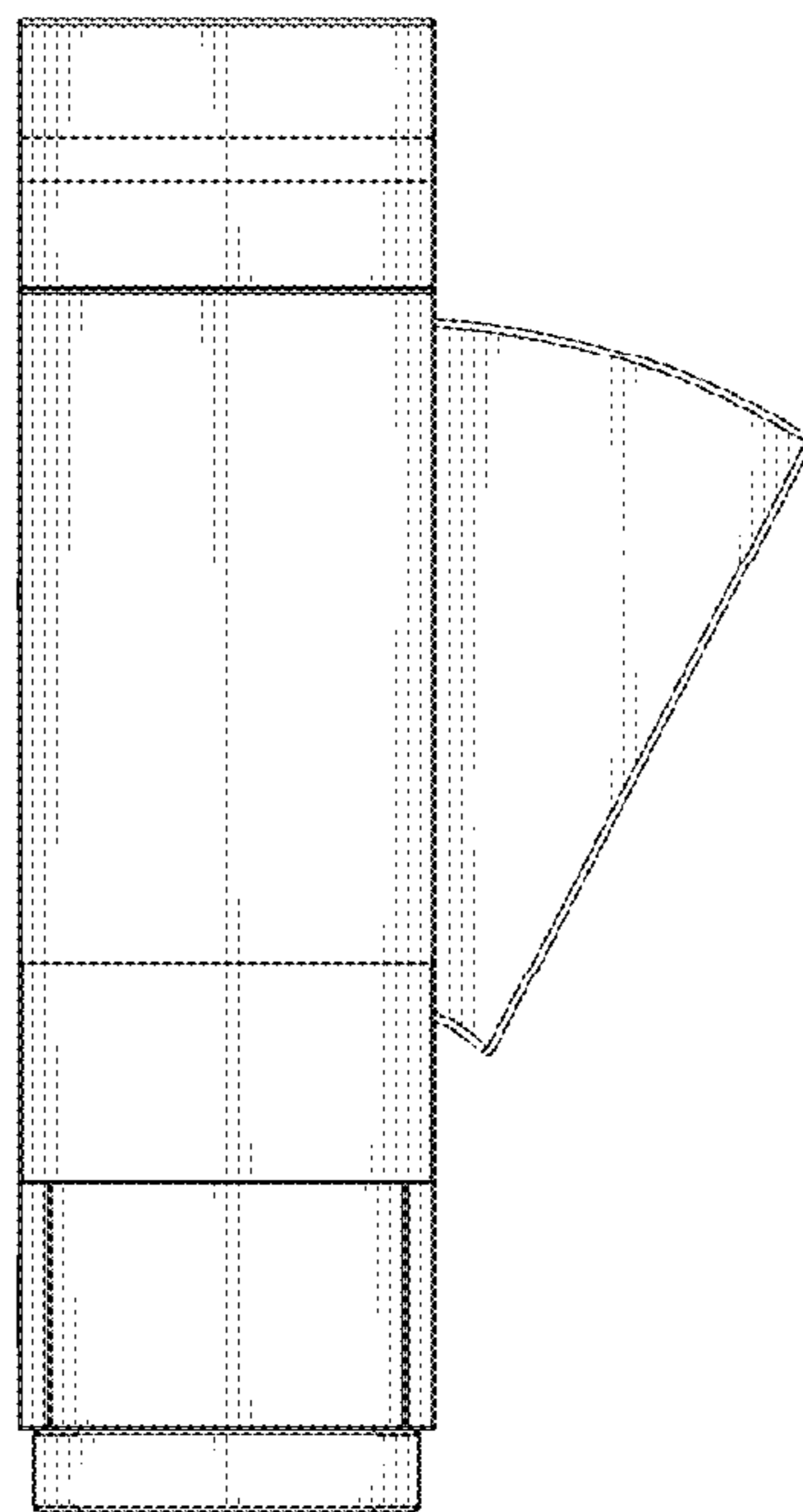


FIG. 4

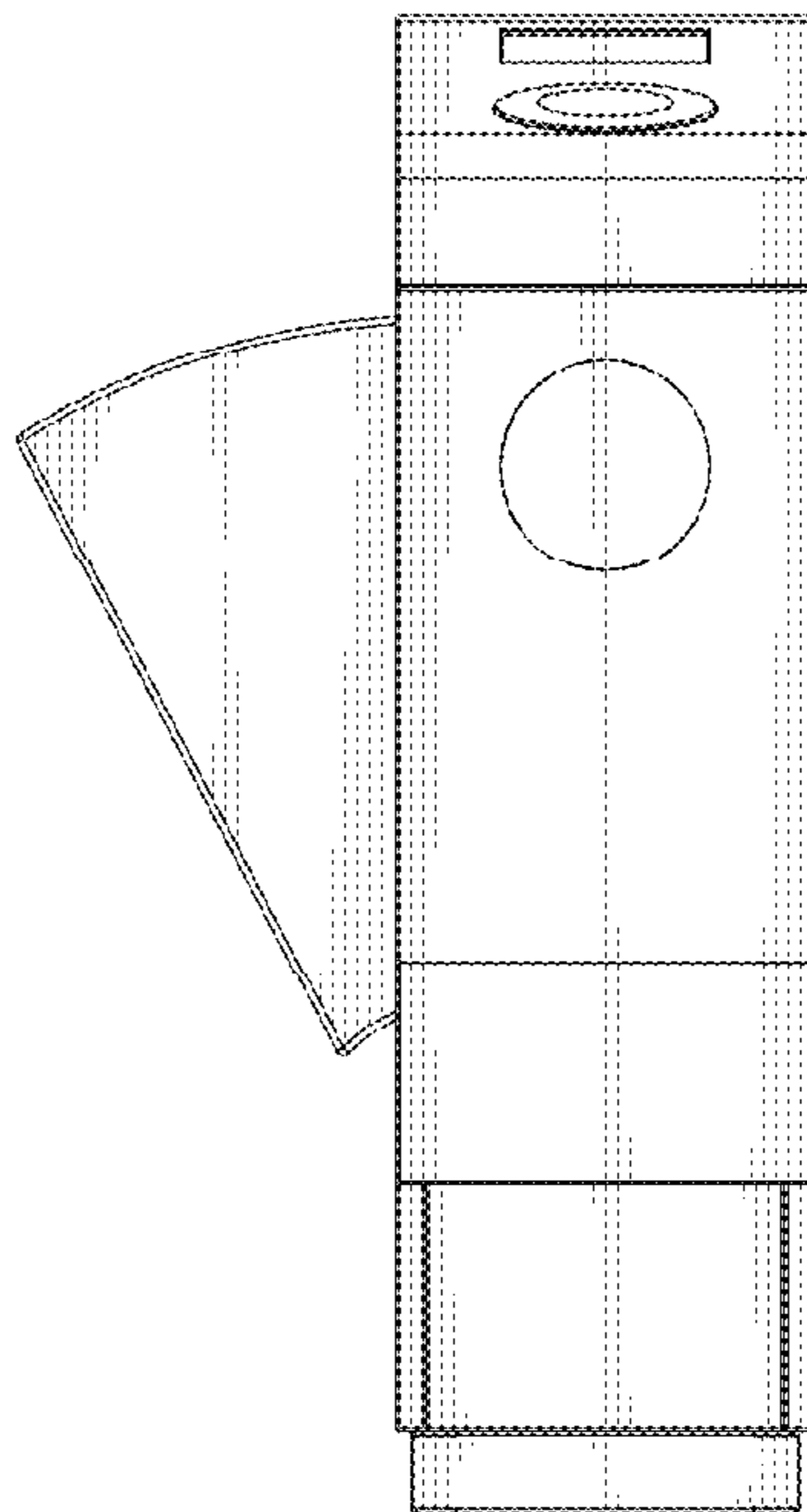


FIG. 5

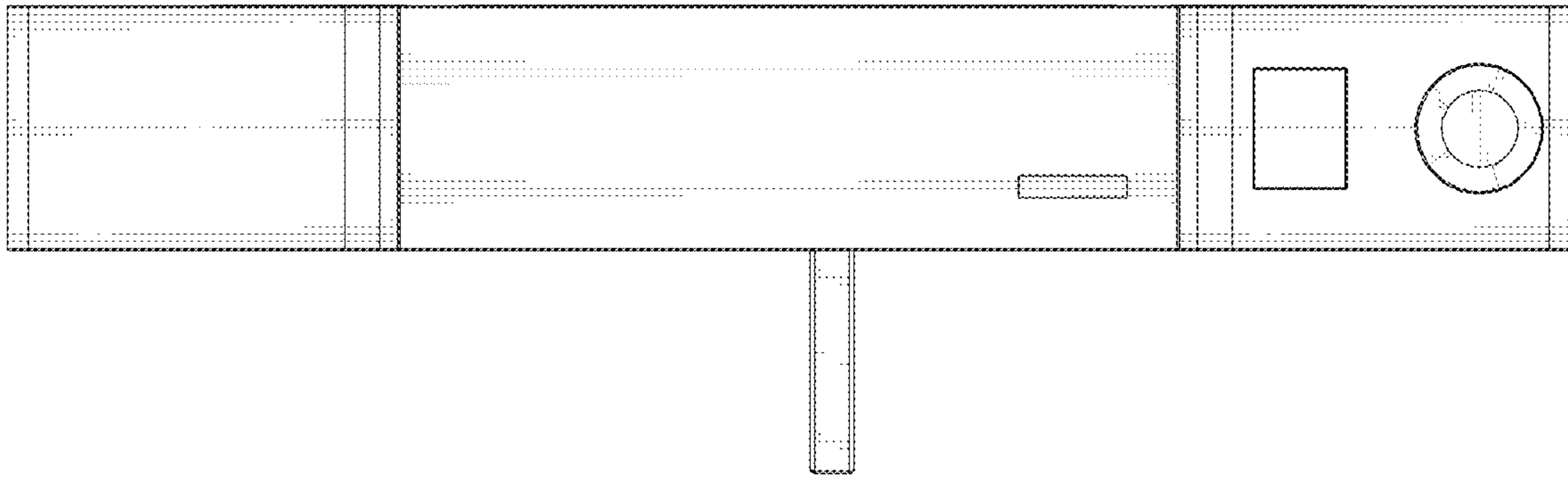


FIG. 6

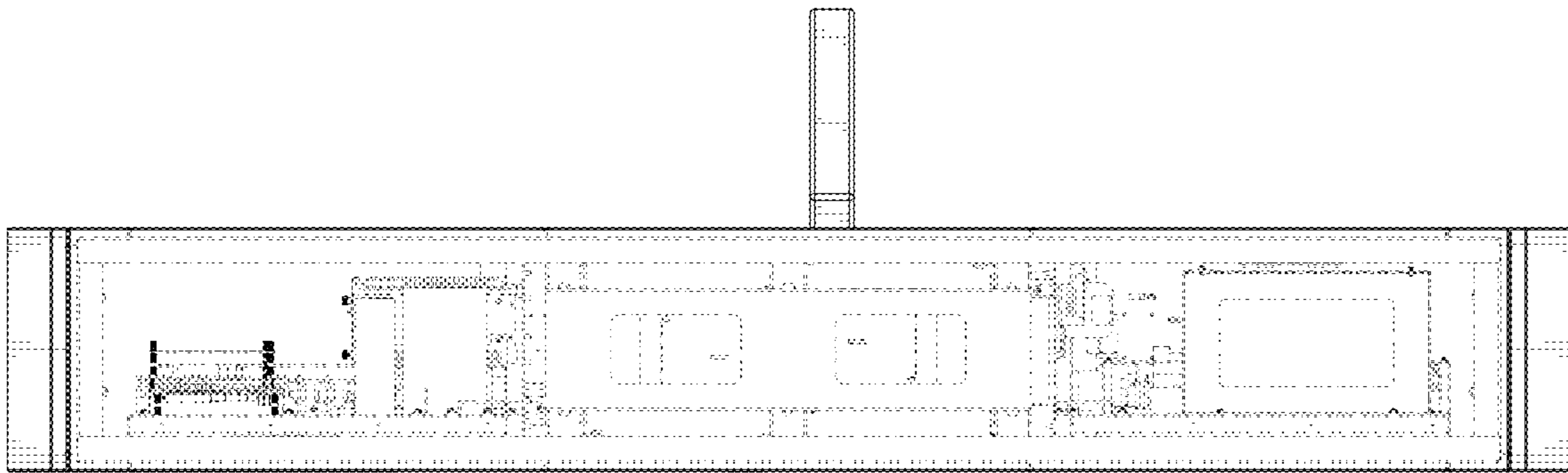


FIG. 7

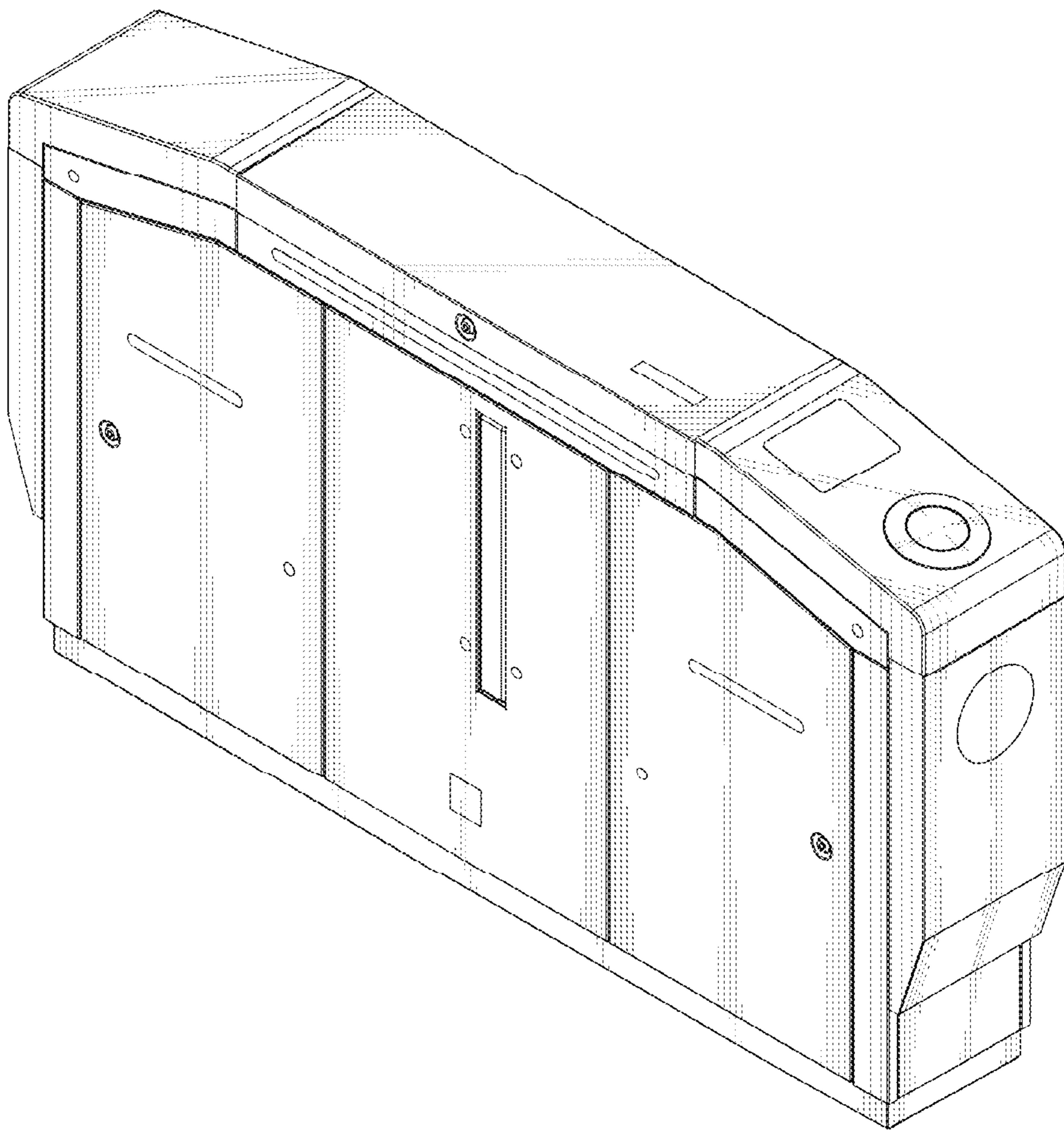


FIG. 8