



US00D957684S

(12) **United States Design Patent**
Pile

(10) **Patent No.:** **US D957,684 S**
(45) **Date of Patent:** **** Jul. 12, 2022**

(54) **SHELTER**

FOREIGN PATENT DOCUMENTS

(71) Applicant: **Mark Pile**, Lowell, AR (US)

IN 225881-0001 * 2/2011
SI 200150084-0001 * 6/2002

(72) Inventor: **Mark Pile**, Lowell, AR (US)

(**) Term: **15 Years**

OTHER PUBLICATIONS

(21) Appl. No.: **29/680,705**

Reed Timmer, Tornado Safe below-ground storm shelters, Mar. 30, 2018, Youtube, <https://www.youtube.com/watch?v=Y1XyrESQq4w> (Year: 2018).*

(22) Filed: **Feb. 19, 2019**

New Porch Storm Shelters, Jan. 25, 2019, 54 Buildings and More, <https://54buildings.com/news/f/new-safeporch-storm-shelters> (Year: 2019).*

(51) **LOC (13) Cl.** **25-03**

(52) **U.S. Cl.**
USPC **D25/16**

(58) **Field of Classification Search**

USPC D25/1-35, 56-59, 61; D30/108;
D21/834, 837, 838; D6/667; 52/79.1,
52/79.5

CPC E04H 9/04-16; E04H 1/00-1277; E04H
2001/1283

See application file for complete search history.

* cited by examiner

Primary Examiner — Brett Miller

(74) *Attorney, Agent, or Firm* — Keisling & Pieper PLC;
David B. Pieper; Trent C. Keisling

(56) **References Cited**

U.S. PATENT DOCUMENTS

- D315,430 S * 3/1991 Robertson, Sr. D30/108
- 5,893,241 A * 4/1999 Schroeder E04H 9/12
52/79.1
- 6,161,345 A * 12/2000 Hope E04H 9/14
52/169.6
- 6,539,674 B2 * 4/2003 Arnold E04H 9/06
52/79.1
- D692,579 S * 10/2013 Wirtz D25/33
- D726,858 S * 4/2015 McInerney D21/838
- D828,927 S * 9/2018 Solie D25/33
- D831,225 S * 10/2018 Ishizawa D25/33
- D870,494 S * 12/2019 Leng D6/667
- 2014/0047781 A1 * 2/2014 Miller E04H 1/1205
52/79.5
- 2014/0251401 A1 * 9/2014 Barber E04H 1/1205
135/121
- 2021/0123230 A1 * 4/2021 Good E04H 1/1205

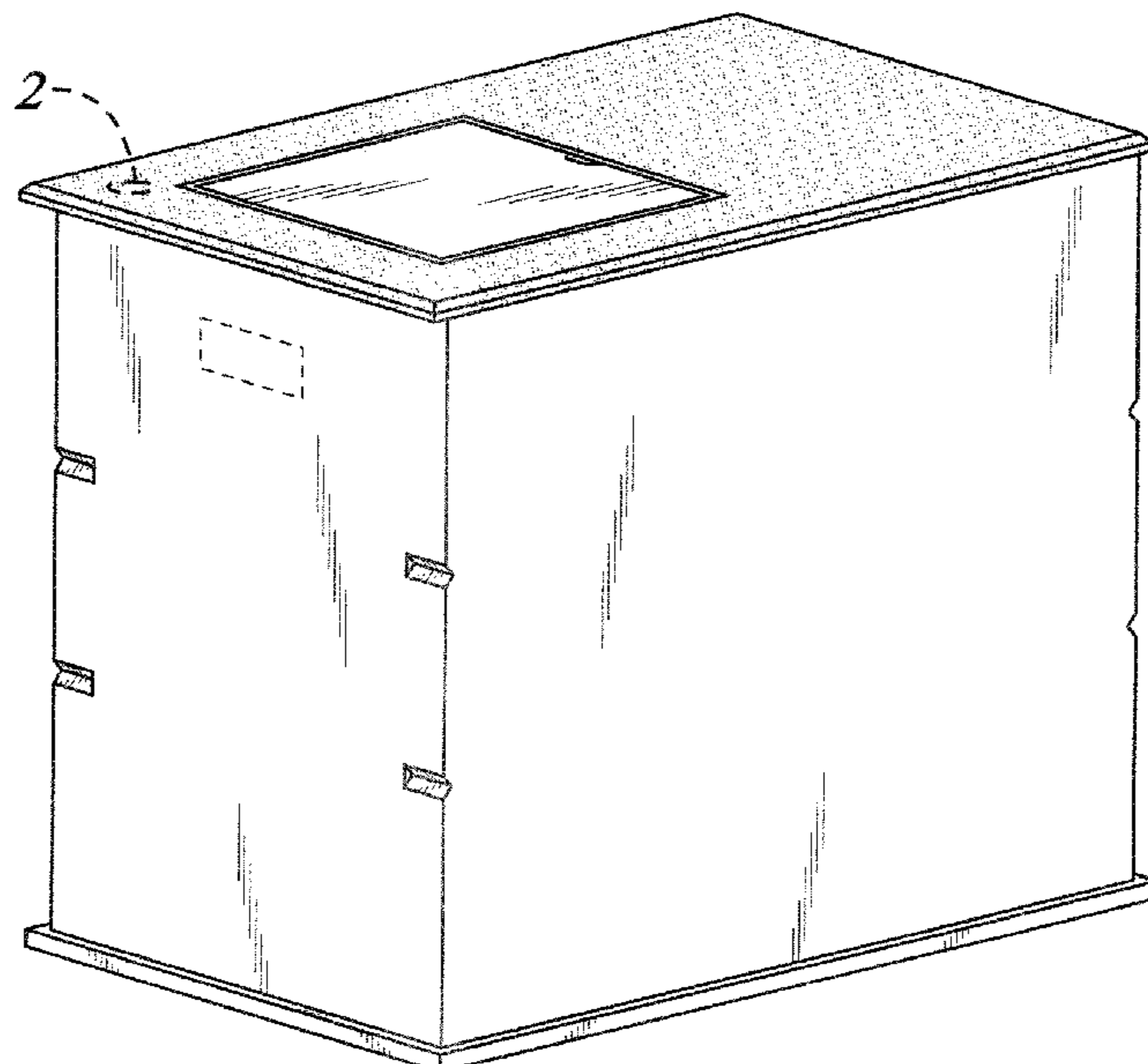
(57) **CLAIM**

The ornamental design for a shelter, as shown and described.

DESCRIPTION

FIG. 1 is a perspective view of a shelter showing my new design;
FIG. 2 is a magnified top view of the area marked in FIG. 1;
FIG. 3 is a front view thereof;
FIG. 4 is a left side view thereof;
FIG. 5 is a top view thereof; and,
FIG. 6 is a bottom view thereof.
The broken lines depict environmental subject matter and form no part of the claimed design.

1 Claim, 5 Drawing Sheets



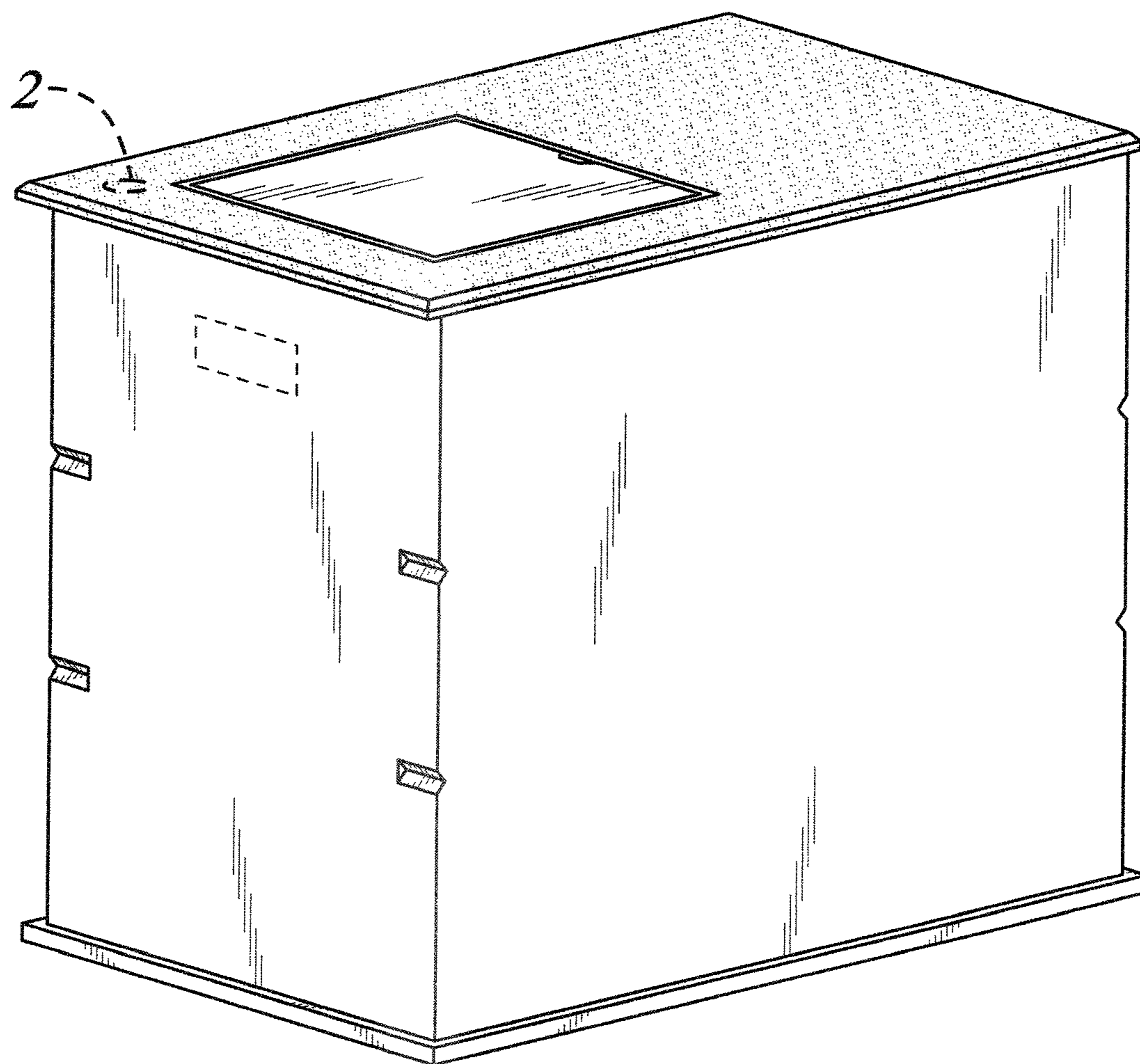


FIG. 1



FIG. 2

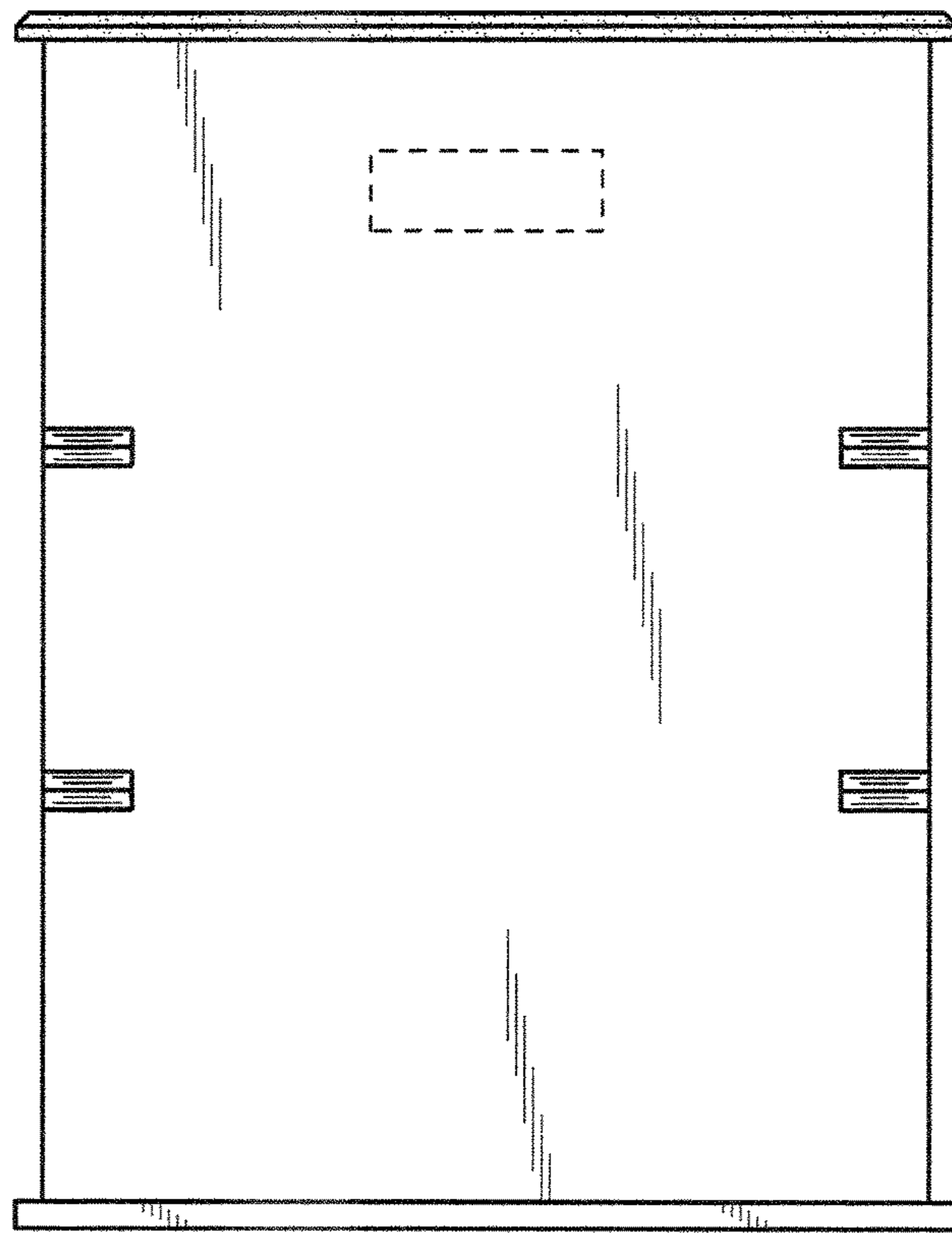


FIG. 3

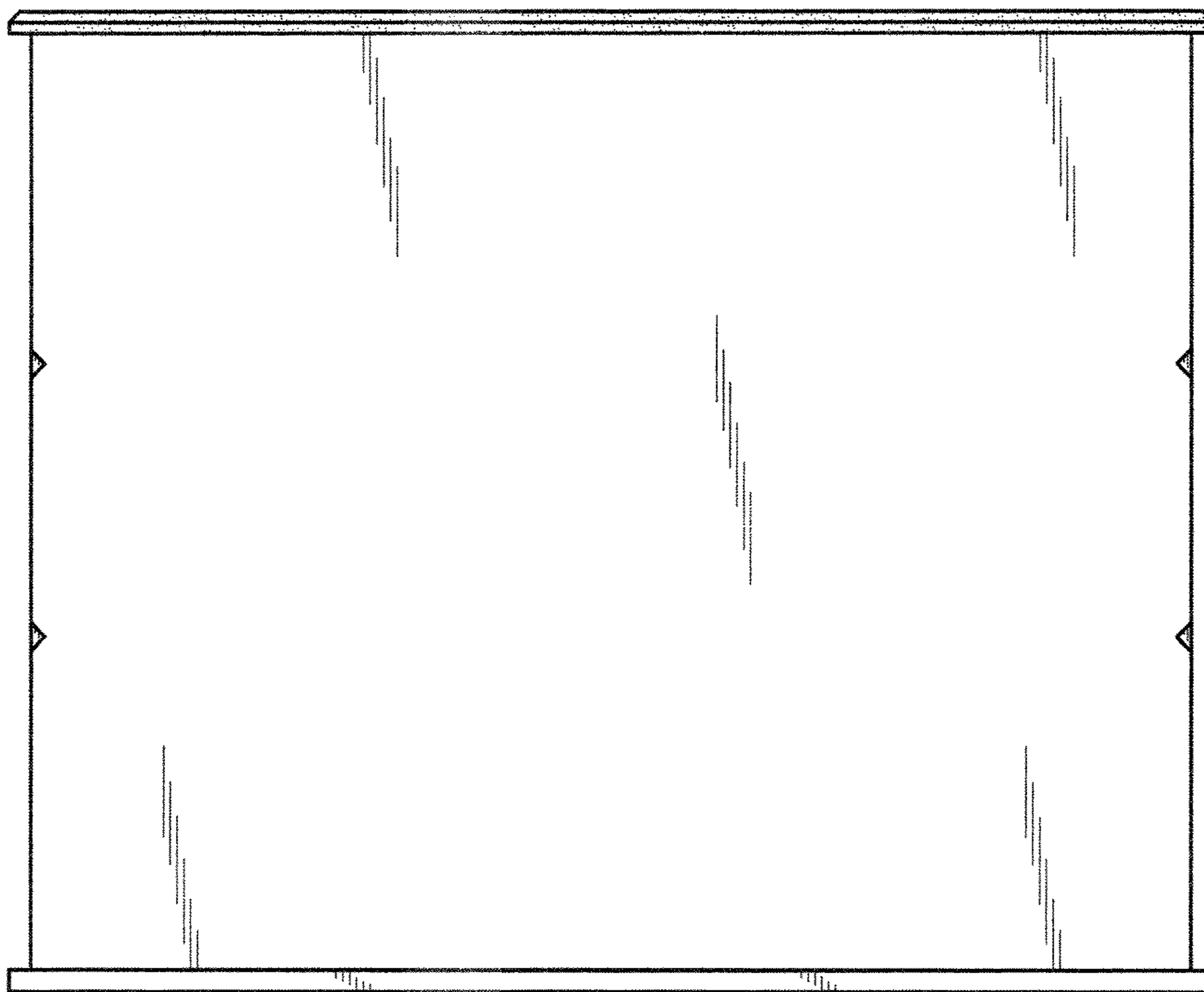


FIG. 4

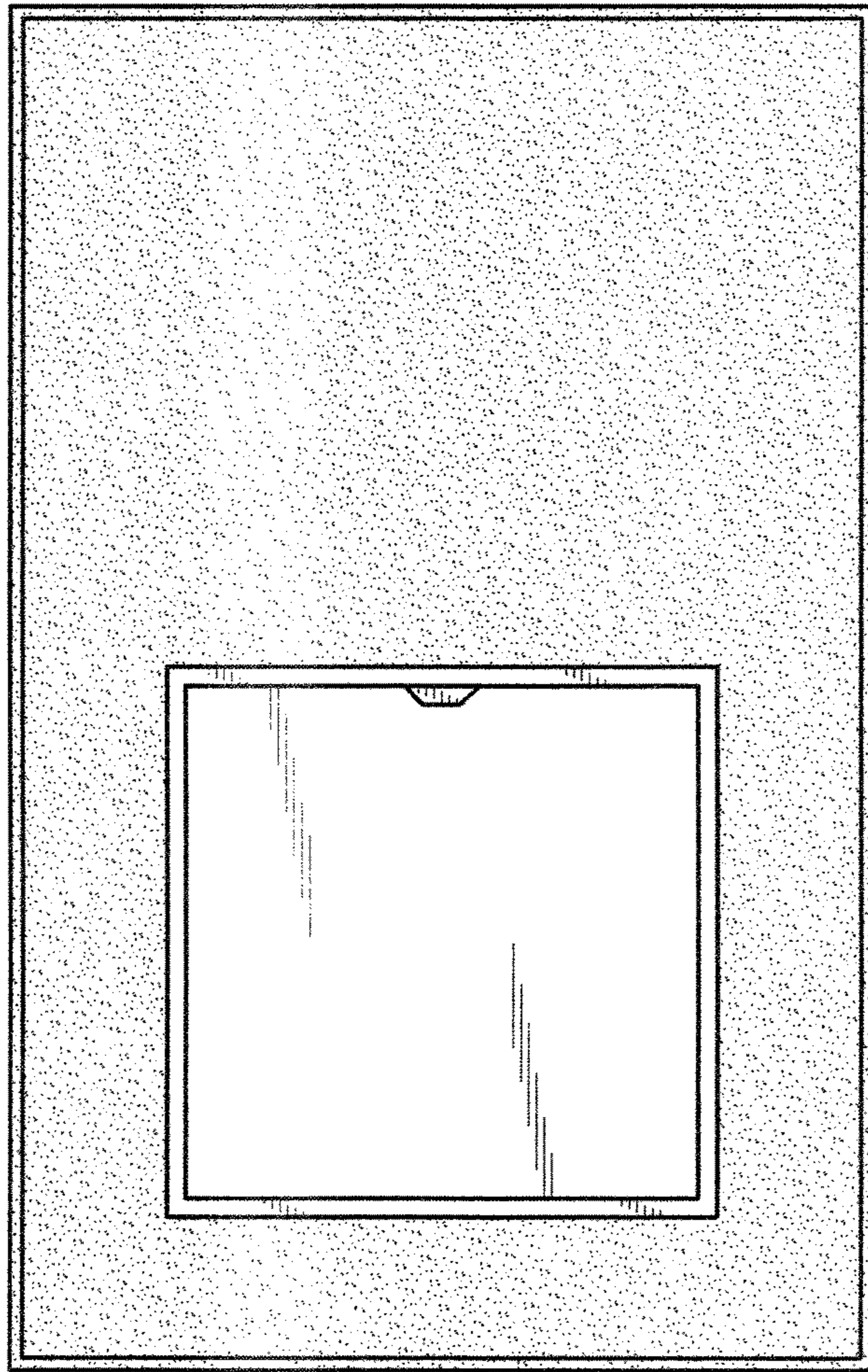


FIG. 5

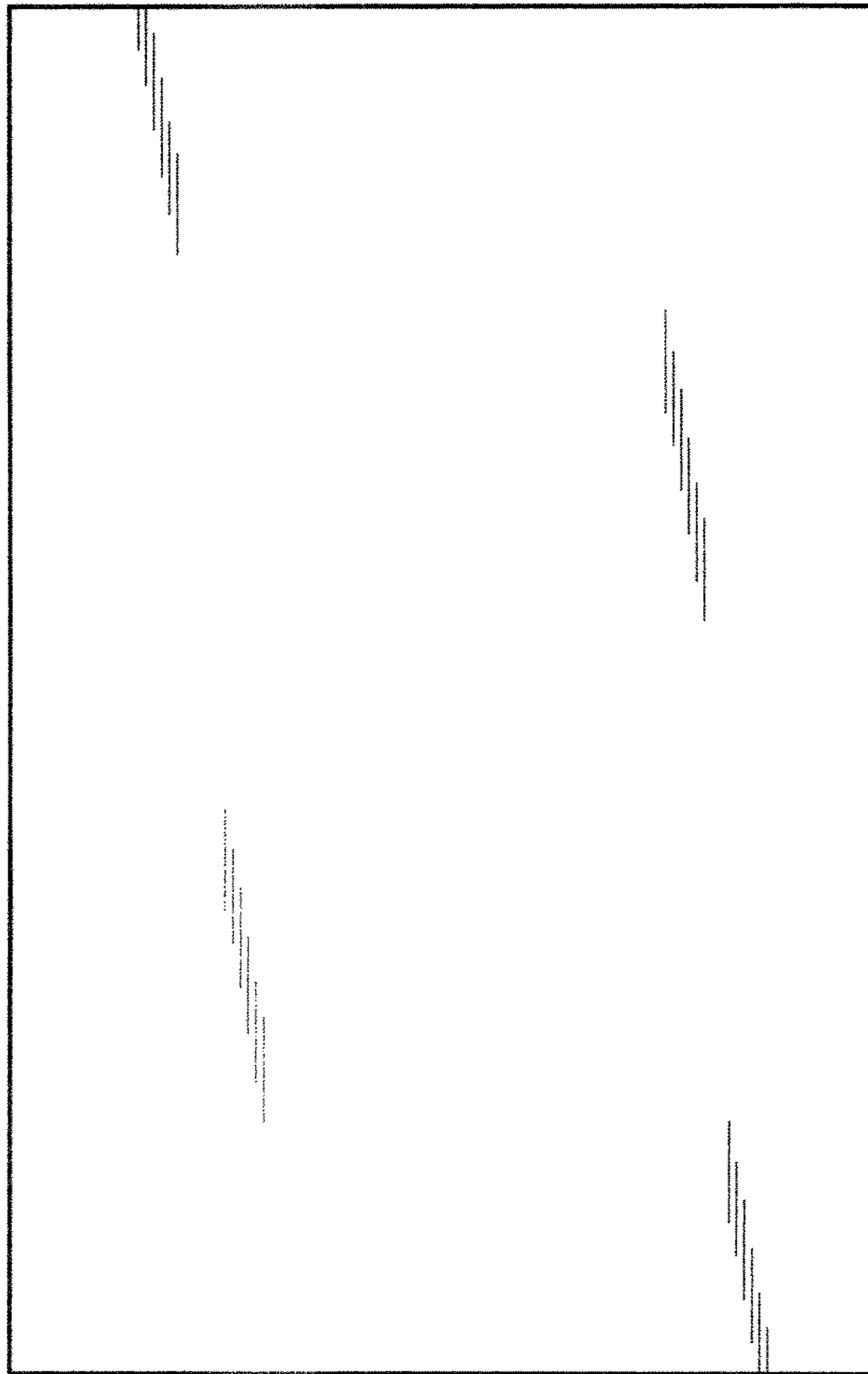


FIG. 6