

US00D957683S

(12) **United States Design Patent** (10) **Patent No.:** **US D957,683 S**
Fogel et al. (45) **Date of Patent:** **** Jul. 12, 2022**

(54) **BLOWER**

(56) **References Cited**

(71) Applicant: **Medline Industries, LP**, Northfield, IL (US)

U.S. PATENT DOCUMENTS

(72) Inventors: **Jeremy Fogel**, Evanston, IL (US);
Drew Phalen, Skokie, IL (US); **Vincent Hahn**, Chicago, IL (US)

3,373,740 A	3/1968	Riepl
3,750,656 A	8/1973	Vaughan
D310,877 S	9/1990	Reeves
4,991,568 A	2/1991	Lin
5,117,819 A	6/1992	Servidio
D344,735 S	3/1994	Ohman
D367,930 S	3/1996	Labadia Del Fresno
D372,101 S	7/1996	Wentz
D383,142 S	9/1997	Juhlin
D387,172 S	12/1997	Labadia Del Fresno
D394,268 S	5/1998	Evans
D431,866 S	10/2000	Wu
D460,191 S	7/2002	Wu
D469,176 S	1/2003	Hall
D503,788 S	4/2005	Wang
D634,418 S	3/2011	Li
D679,801 S	4/2013	Abel
D687,944 S	8/2013	Zwolinsky

(73) Assignee: **Medline Industries, LP**, Northfield, IL (US)

(**) Term: **15 Years**

(21) Appl. No.: **29/806,991**

(22) Filed: **Sep. 8, 2021**

Related U.S. Application Data

(63) Continuation of application No. 29/781,089, filed on Apr. 28, 2021, now Pat. No. Des. 933,256, which is a continuation of application No. 29/748,417, filed on Aug. 28, 2020, now Pat. No. Des. 919,834, which is a continuation of application No. 29/674,071, filed on Dec. 19, 2018, now Pat. No. Des. 895,840, which is a continuation of application No. 29/630,376, filed on Dec. 20, 2017, now Pat. No. Des. 840,550.

Primary Examiner — Mark A Goodwin

(74) *Attorney, Agent, or Firm* — Fitch, Even, Tabin & Flannery LLP

(51) **LOC (13) Cl.** **24-01**

(57) **CLAIM**

The ornamental design for a blower, as shown and described.

(52) **U.S. Cl.**

USPC **D24/232**; D24/231; D24/201

DESCRIPTION

(58) **Field of Classification Search**

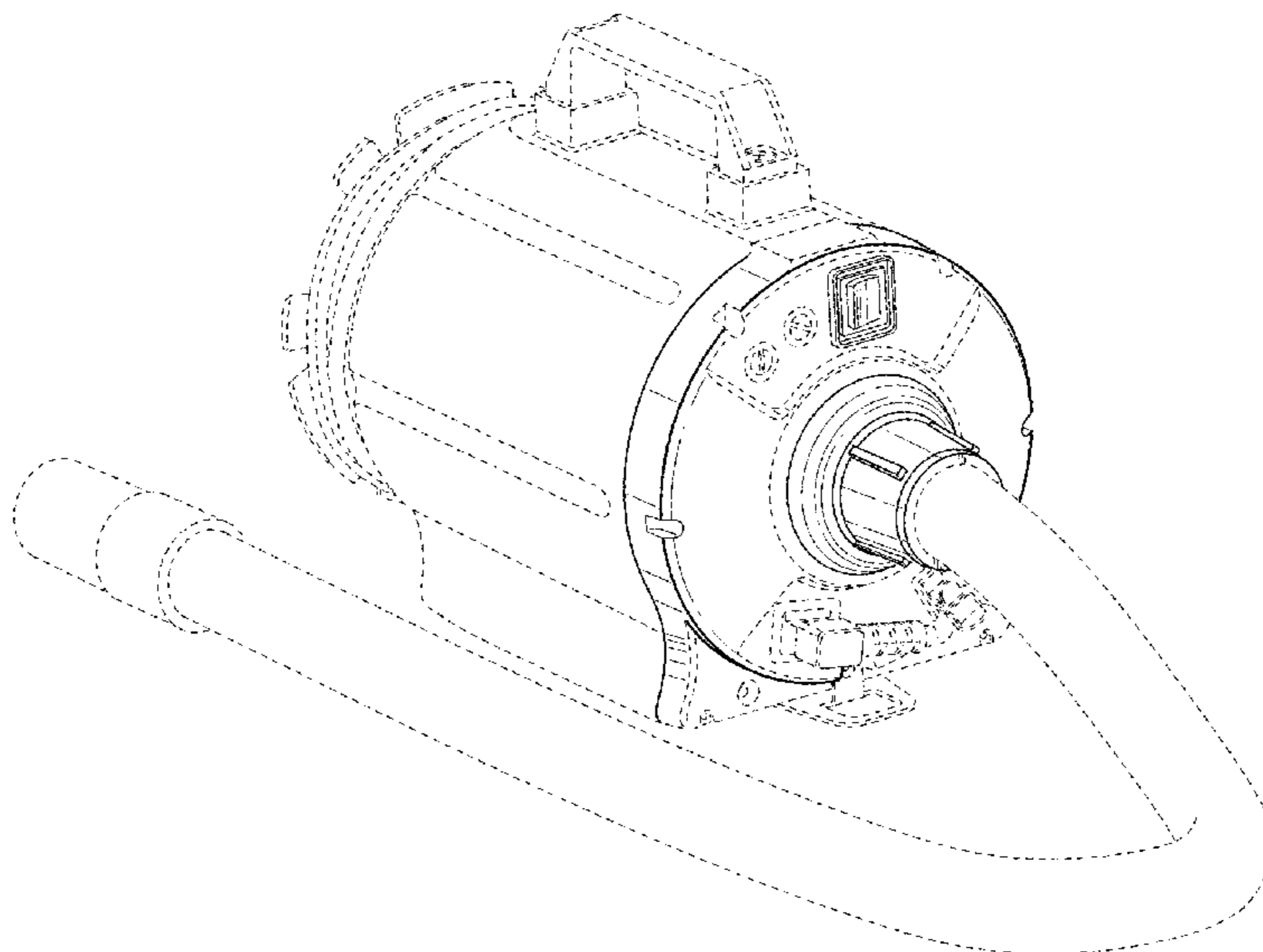
USPC D23/383, 370, 355, 314, 371, 414, 377, D23/385, 411; D24/201, 231, 232, 111, D24/108

CPC F04D 29/4213; F04D 29/42261; F04D 29/422; F04D 29/40; F04D 29/42; F04D 29/626; F04D 29/329; F04D 29/526; F04D 29/325; F04D 29/703; F04D 29/547; F04D 25/082; F02M 37/04; F02M 37/14; F02B 43/12

See application file for complete search history.

FIG. 1 is a perspective view of a blower showing our new design;
FIG. 2 is a top plan view thereof;
FIG. 3 is a front elevation view thereof;
FIG. 4 is a right side elevation view thereof;
FIG. 5 is a left side elevation view thereof;
FIG. 6 is a rear elevation view thereof; and,
FIG. 7 is a bottom plan view thereof.
The broken lines depict portions of the blower that form no part of the claimed design and unclaimed environment.

1 Claim, 7 Drawing Sheets



(56)

References Cited

U.S. PATENT DOCUMENTS

D735,319 S	7/2015	Sabin
D739,026 S	9/2015	Anger
D768,289 S	10/2016	Hyde
D768,290 S	10/2016	Hyde
D768,847 S	10/2016	Hyde
D801,521 S	10/2017	Hyde
D840,550 S	2/2019	Fogel
D895,840 S	9/2020	Fogel
D919,834 S	5/2021	Fogel
D933,256 S	10/2021	Fogel

FIG. 1

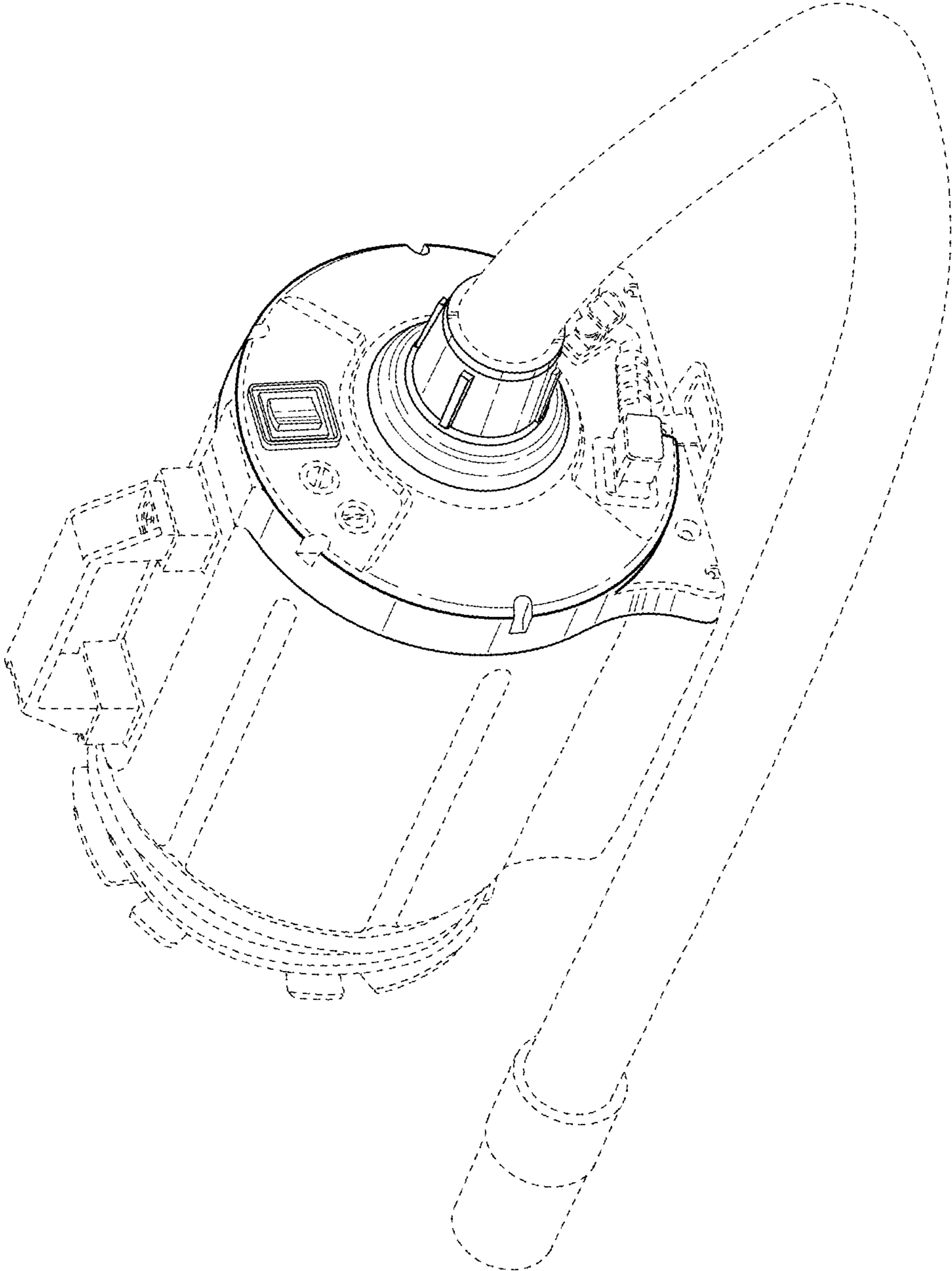


FIG. 2

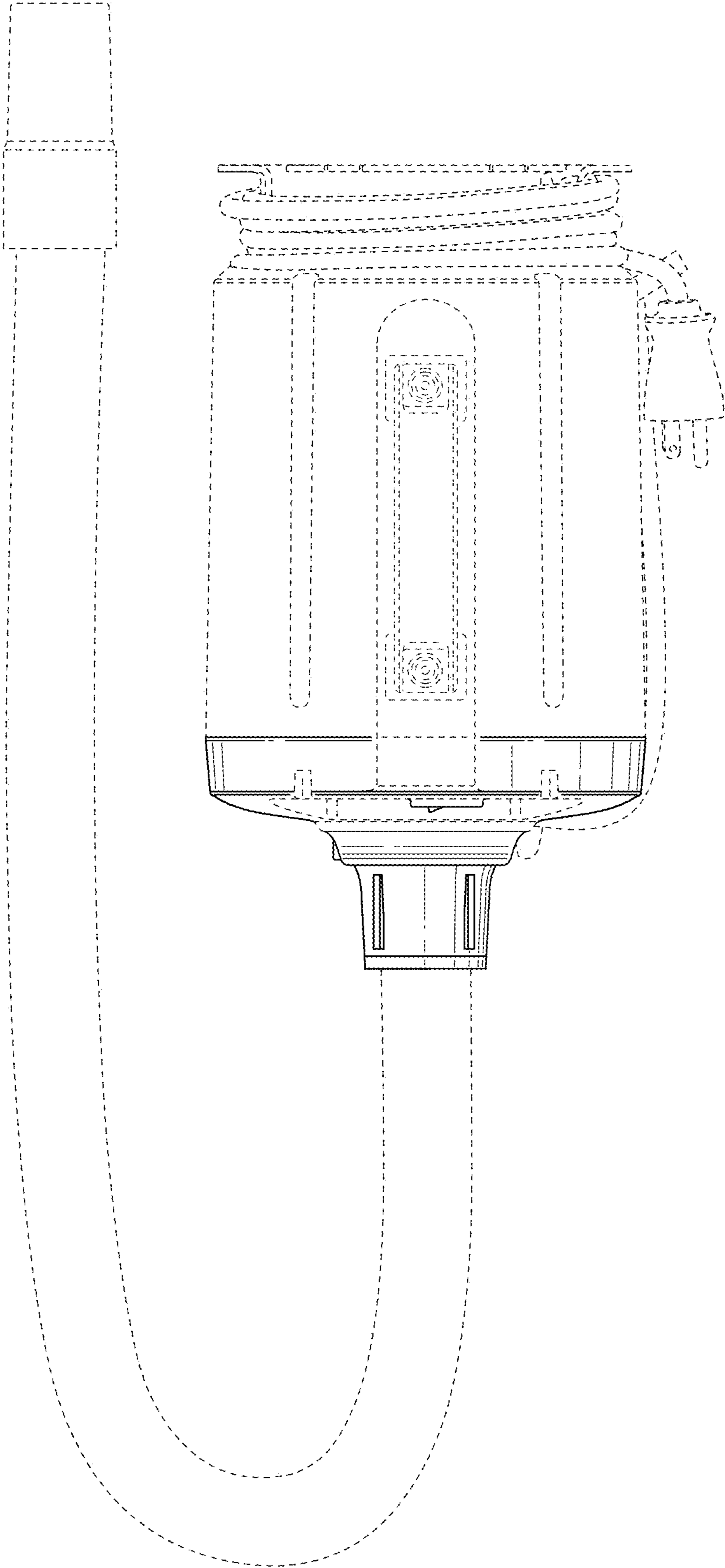


FIG. 3

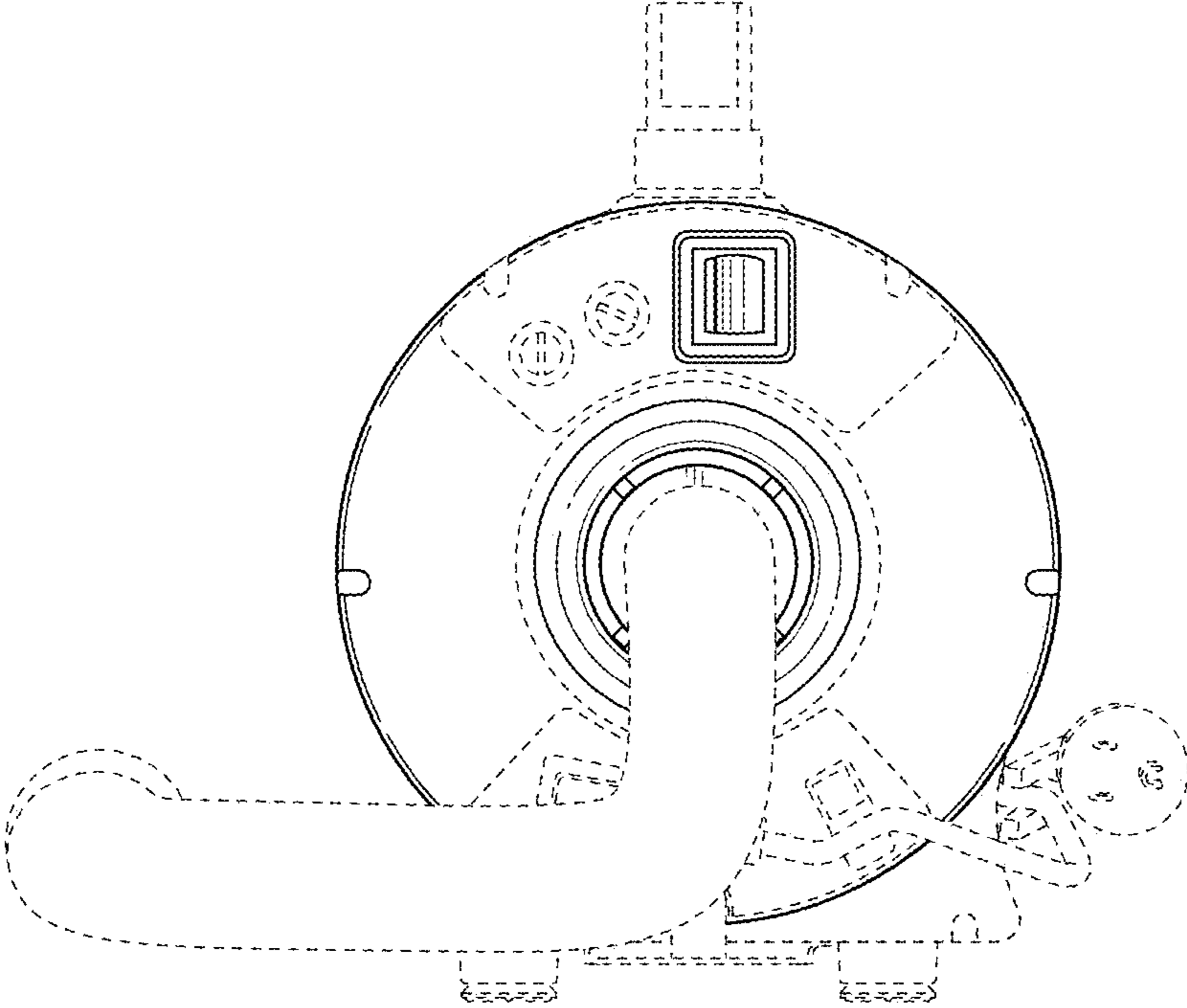


FIG. 4

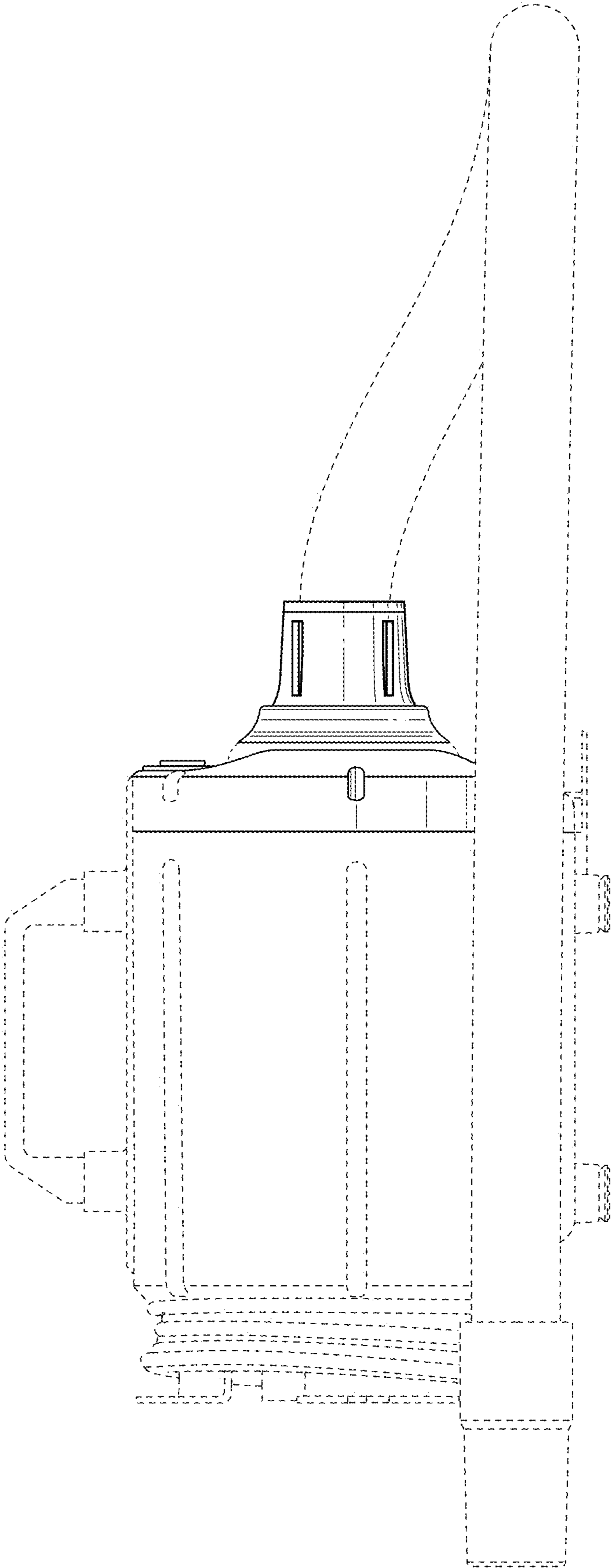


FIG. 5

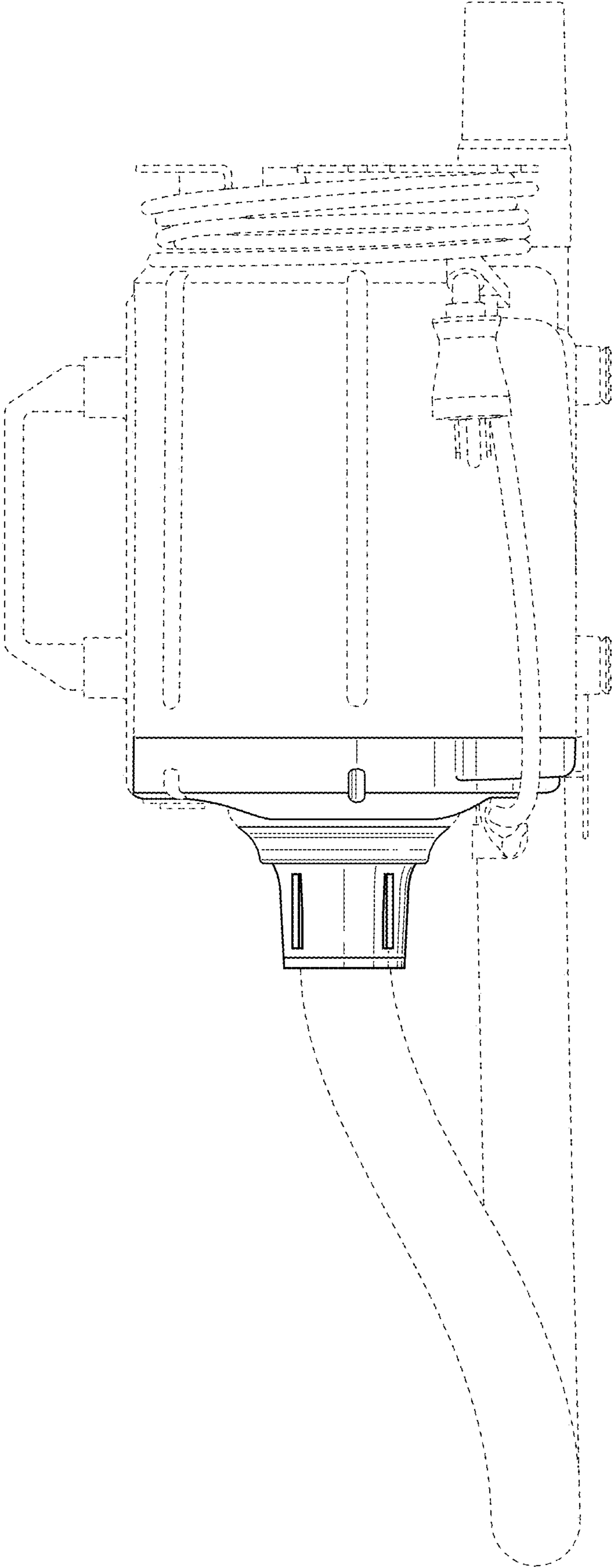


FIG. 6

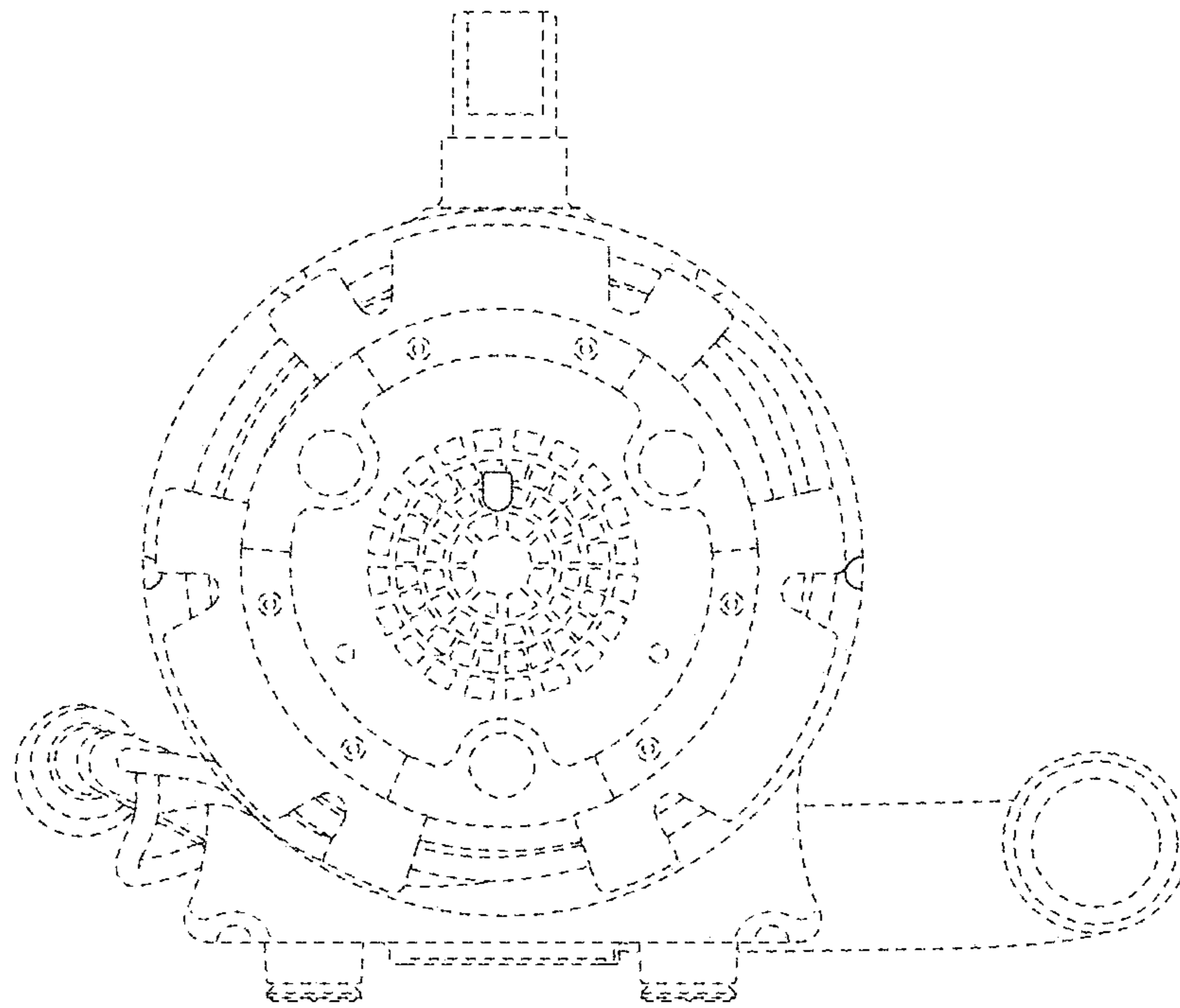


FIG. 7

