



US00D957682S

(12) **United States Design Patent** (10) **Patent No.:** **US D957,682 S**
Mendez Padilla et al. (45) **Date of Patent:** **** Jul. 12, 2022**

(54) **PIPETTE TIP RECEPTACLE PLATE**
(71) Applicant: **BIOTIX, INC.**, San Diego, CA (US)
(72) Inventors: **Juan Martin Mendez Padilla**, Tijuana (MX); **Arta Motadel**, San Diego, CA (US); **Peter Paul Blaszcak**, San Diego, CA (US)

8,460,622 B2 6/2013 Motadel
8,470,265 B2 6/2013 Motadel et al.
D699,370 S 2/2014 Motadel et al.
D699,859 S 2/2014 Motadel
D718,470 S 11/2014 So et al.
D724,236 S 3/2015 Motadel et al.
9,089,845 B2 7/2015 Motadel et al.
D767,783 S 9/2016 McClelland

(Continued)

(73) Assignee: **BIOTIX, INC.**, San Diego, CA (US)

FOREIGN PATENT DOCUMENTS

(**) Term: **15 Years**

DE 102015006731 A1 12/2016
EA 004124998-0005 A1 4/2018

(21) Appl. No.: **29/759,427**

(Continued)

(22) Filed: **Nov. 23, 2020**

OTHER PUBLICATIONS

Related U.S. Application Data

International Preliminary Report on Patentability dated Aug. 15, 2019 in International Patent Application No. PCT/US2018/016456, filed on Feb. 1, 2018, 14 pages.

(Continued)

(62) Division of application No. 29/692,493, filed on May 24, 2019, now Pat. No. Des. 906,538, which is a division of application No. 29/592,990, filed on Feb. 3, 2017, now Pat. No. Des. 854,185.

Primary Examiner — Mary Shannon Malley

(51) **LOC (13) Cl.** **24-01**

(74) *Attorney, Agent, or Firm* — Grant IP, Inc.

(52) **U.S. Cl.**

USPC **D24/229**

(58) **Field of Classification Search**

USPC D24/108, 127-130, 216, 222, 224-232;
422/63, 65, 250, 266, 297, 300, 476, 526,
422/562, 564; 211/69, 71-72, 74, 71.01,
211/85.18; 206/562, 508, 723; 414/404;
221/92

CPC B01L 9/543; B01L 2200/025; G01N
2035/103; G01N 2035/0427

See application file for complete search history.

(57) **CLAIM**

The ornamental design for a pipette tip receptacle plate, as shown and described.

DESCRIPTION

(56) **References Cited**

U.S. PATENT DOCUMENTS

3,247,602 A 4/1966 Hamilton et al.
4,349,109 A 9/1982 Scordato et al.
D632,803 S 2/2011 Motadel et al.

FIG. 1 is a top perspective view of a pipette tip receptacle plate;

FIG. 2 is a bottom perspective view of the plate shown in FIG. 1;

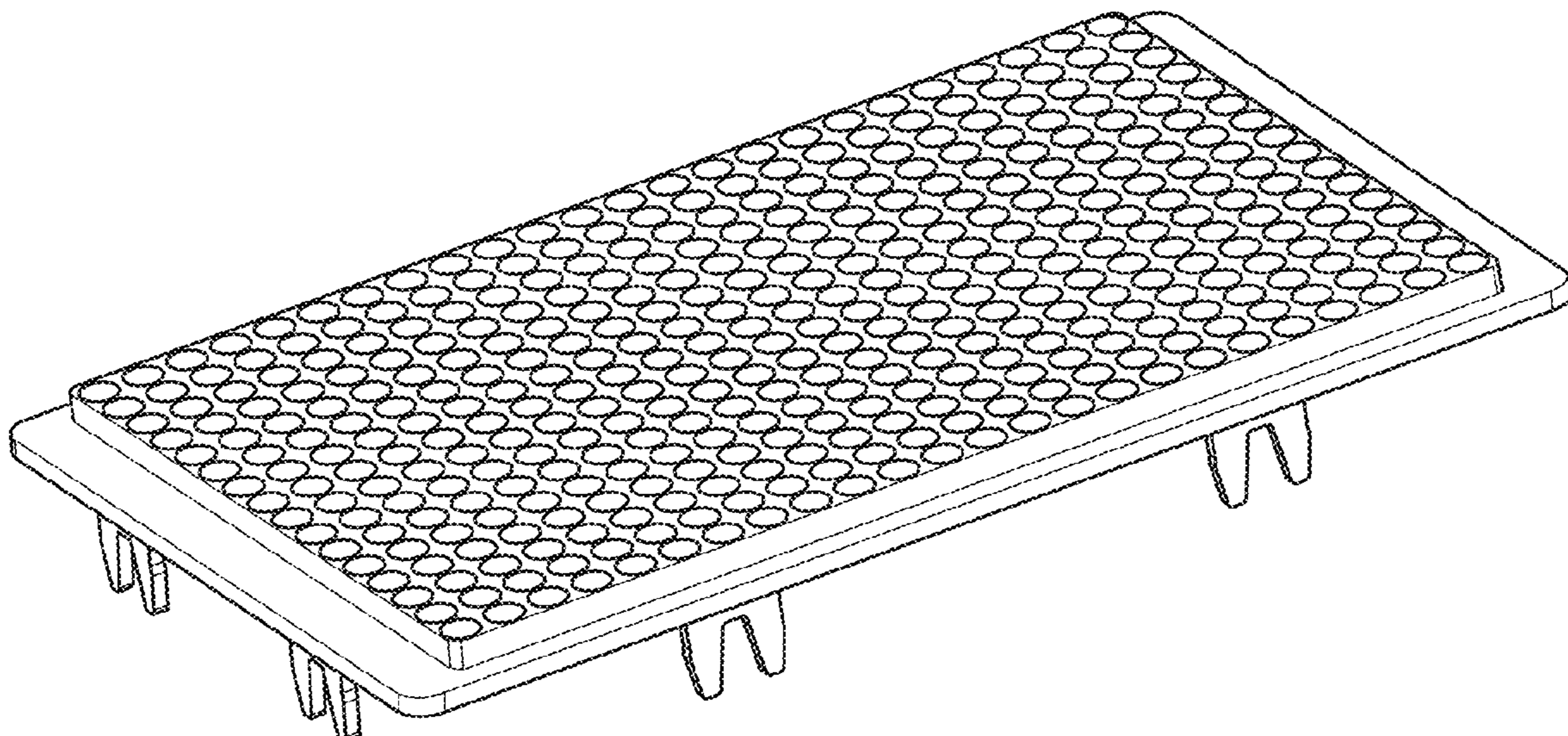
FIG. 3 is a top view of the plate shown in FIG. 1;

FIG. 4 is a bottom view of the plate shown in FIG. 1;

FIG. 5 is a longer side view of the plate shown in FIG. 1; and,

FIG. 6 is a shorter side view of the plate shown in FIG. 1.

1 Claim, 4 Drawing Sheets



(56)

References Cited

U.S. PATENT DOCUMENTS

9,486,803 B2 11/2016 Motadel et al.
 10,137,453 B2 11/2018 Curry et al.
 10,143,793 B2 12/2018 Gagnieux et al.
 10,173,218 B2 1/2019 Peterson
 D849,961 S 5/2019 Muller et al.
 D849,962 S 5/2019 Curry et al.
 D851,274 S 6/2019 Gomi et al.
 D854,185 S 7/2019 Mendez Padilla et al.
 D861,190 S 9/2019 Potdar et al.
 D906,538 S 12/2020 Mendez Padilla et al.
 2003/0129089 A1 7/2003 Arnold et al.
 2005/0249638 A1 11/2005 Stockwell
 2006/0133965 A1 6/2006 Tajima et al.
 2007/0105214 A1* 5/2007 Micklash, II G01N 35/028
 435/306.1
 2009/0293643 A1 12/2009 Powell et al.
 2010/0258578 A1 10/2010 Motadel
 2011/0236278 A1* 9/2011 Motadel B01L 9/543
 422/560
 2011/0306052 A1 12/2011 Belz et al.
 2012/0058479 A1* 3/2012 Gisler G01N 35/026
 435/6.12
 2012/0258026 A1 10/2012 Naumann
 2013/0336852 A1 12/2013 Rethwisch et al.
 2014/0234182 A1 8/2014 Motadel et al.
 2016/0167041 A1 6/2016 Curry et al.
 2017/0008001 A1 1/2017 Motadel et al.
 2018/0117595 A1* 5/2018 Curry B01L 9/543
 2018/0221884 A1* 8/2018 Mendez B01L 9/543
 2019/0078079 A1* 3/2019 Higgins B01L 9/523
 2019/0135605 A1* 5/2019 Lee B01L 3/5453

FOREIGN PATENT DOCUMENTS

EP 2338596 A1 6/2011
 WO 2006/133440 A2 12/2006
 WO 2010/008737 A2 1/2010
 WO 2018/144733 A1 8/2018

OTHER PUBLICATIONS

International Search Report and Written Opinion dated Jun. 29, 2018 in International Patent Application No. PCT/US2018/016456, filed on Feb. 1, 2018, 23 pages.
 Office Action dated Apr. 16, 2020 in U.S. Appl. No. 29/692,493, filed May 24, 2019, 7 pages.
 Office Action dated Dec. 10, 2019 in U.S. Appl. No. 15/886,513, filed Feb. 1, 2018 and published as US 2018-0221884 on Aug. 9, 2018, 17 pages.
 Office Action dated Dec. 28, 2020 in U.S. Appl. No. 15/886,513, filed Feb. 1, 2018 and published as US 2018-0221884 on Aug. 9, 2018, 17 pages.
 Office Action dated Feb. 21, 2019 in U.S. Appl. No. 29/592,990, filed Feb. 3, 2017, 7 pages.
 Office Action dated Jun. 2, 2020 in U.S. Appl. No. 15/886,513, filed Feb. 1, 2018 and published as US 2018-0221884 on Aug. 9, 2018, 13 pages.
 Office Action dated Nov. 27, 2018 in U.S. Appl. No. 29/592,990, filed Feb. 3, 2017, 8 pages.
 Office Action dated Nov. 29, 2019 in U.S. Appl. No. 29/692,493, filed May 24, 2019, 9 pages.
 Office Action dated Sep. 2, 2020 in U.S. Appl. No. 29/692,493, filed May 24, 2019, 7 pages.
 Tip Eject Reload, Biotix Logo, <http://biotix.com/innovation/packaging/tip-eject-reload/>, 2018, 2 pages.

* cited by examiner

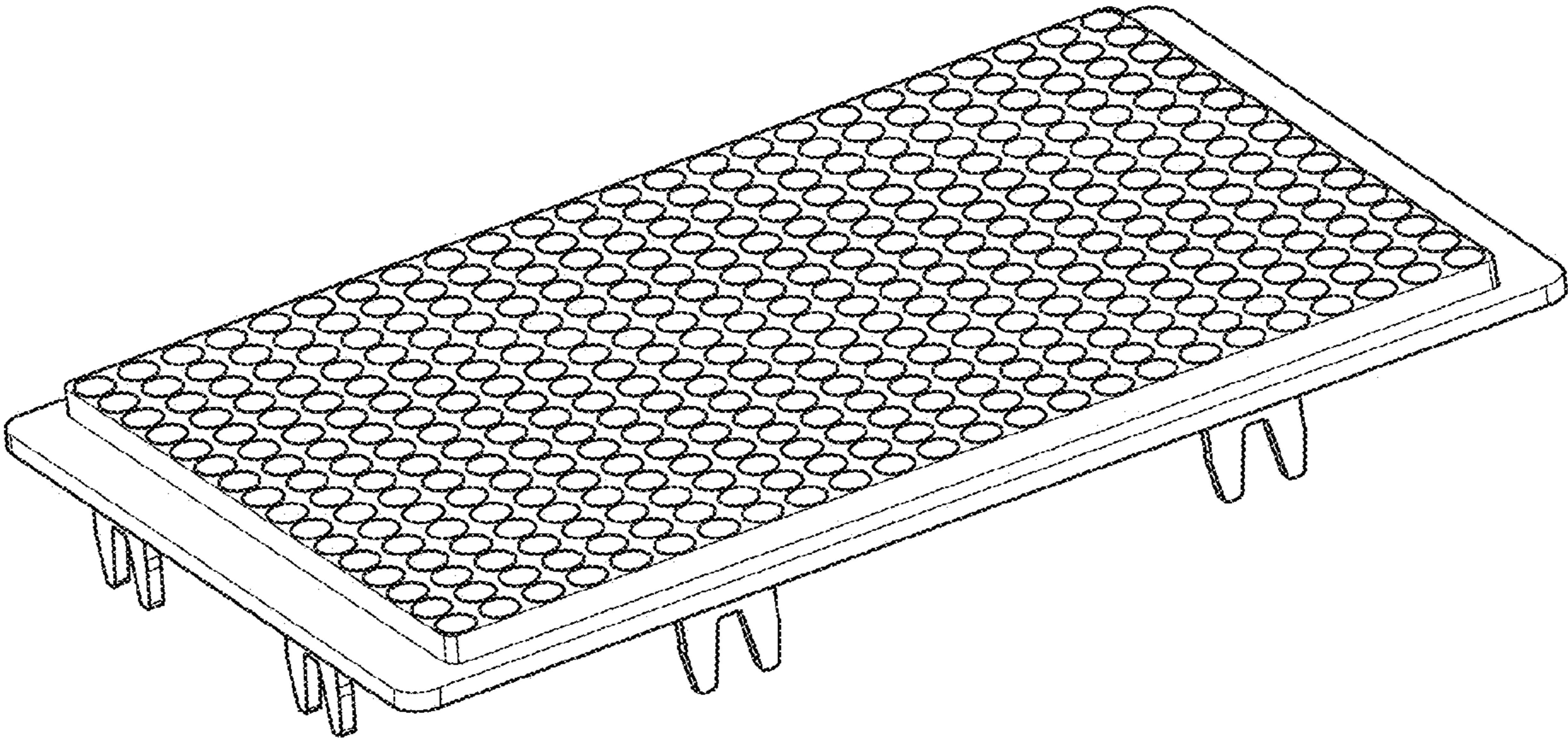


FIG. 1

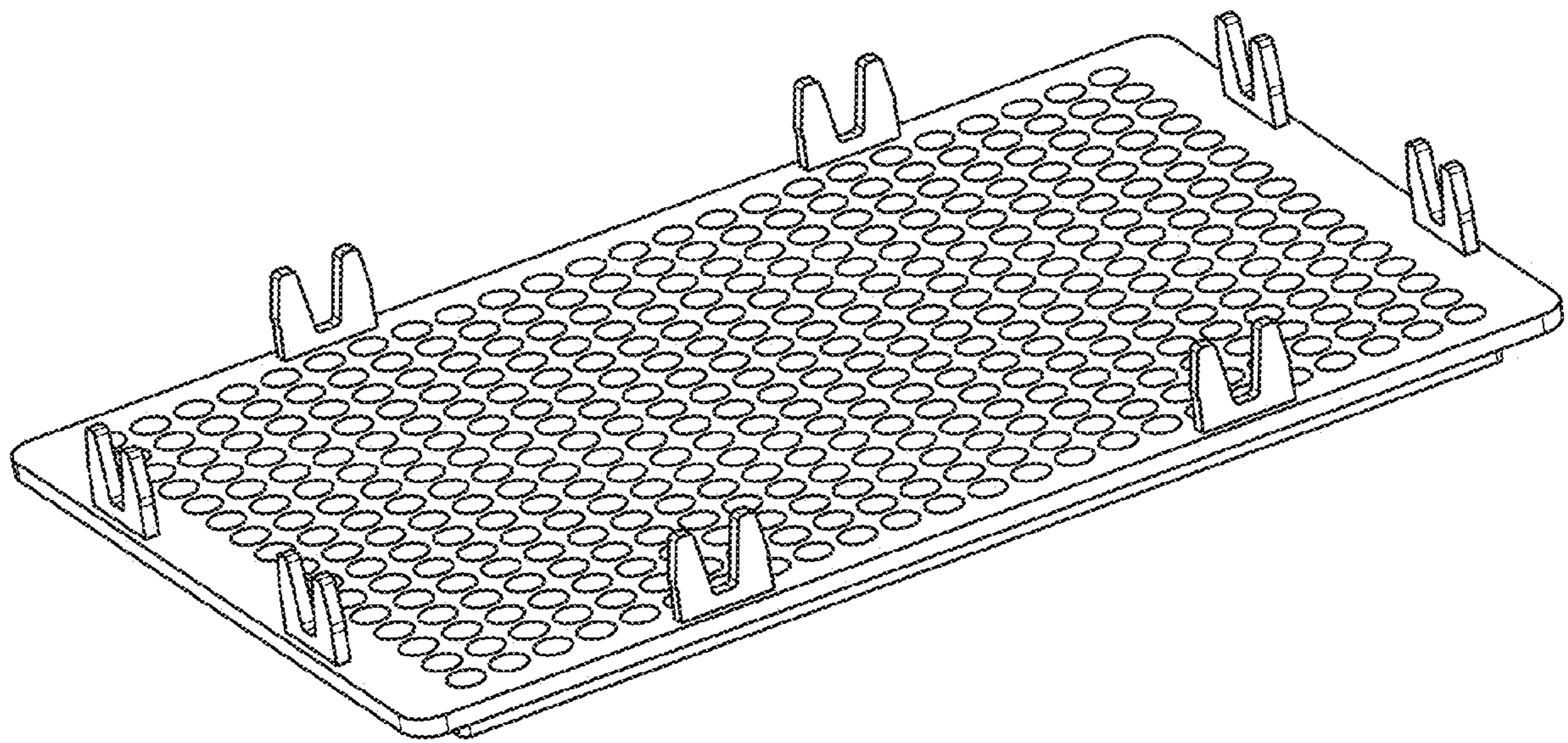


FIG. 2

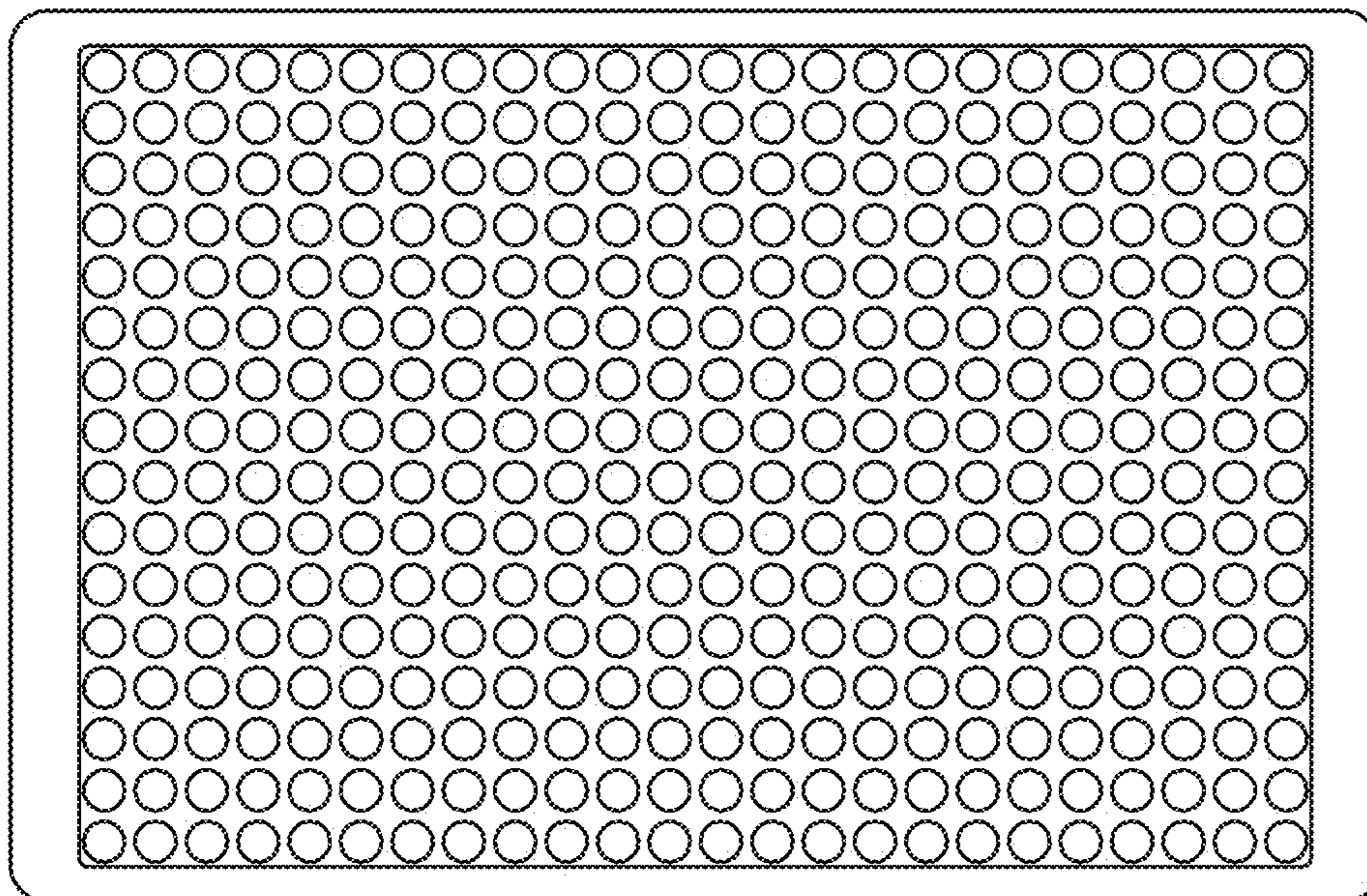


FIG. 3

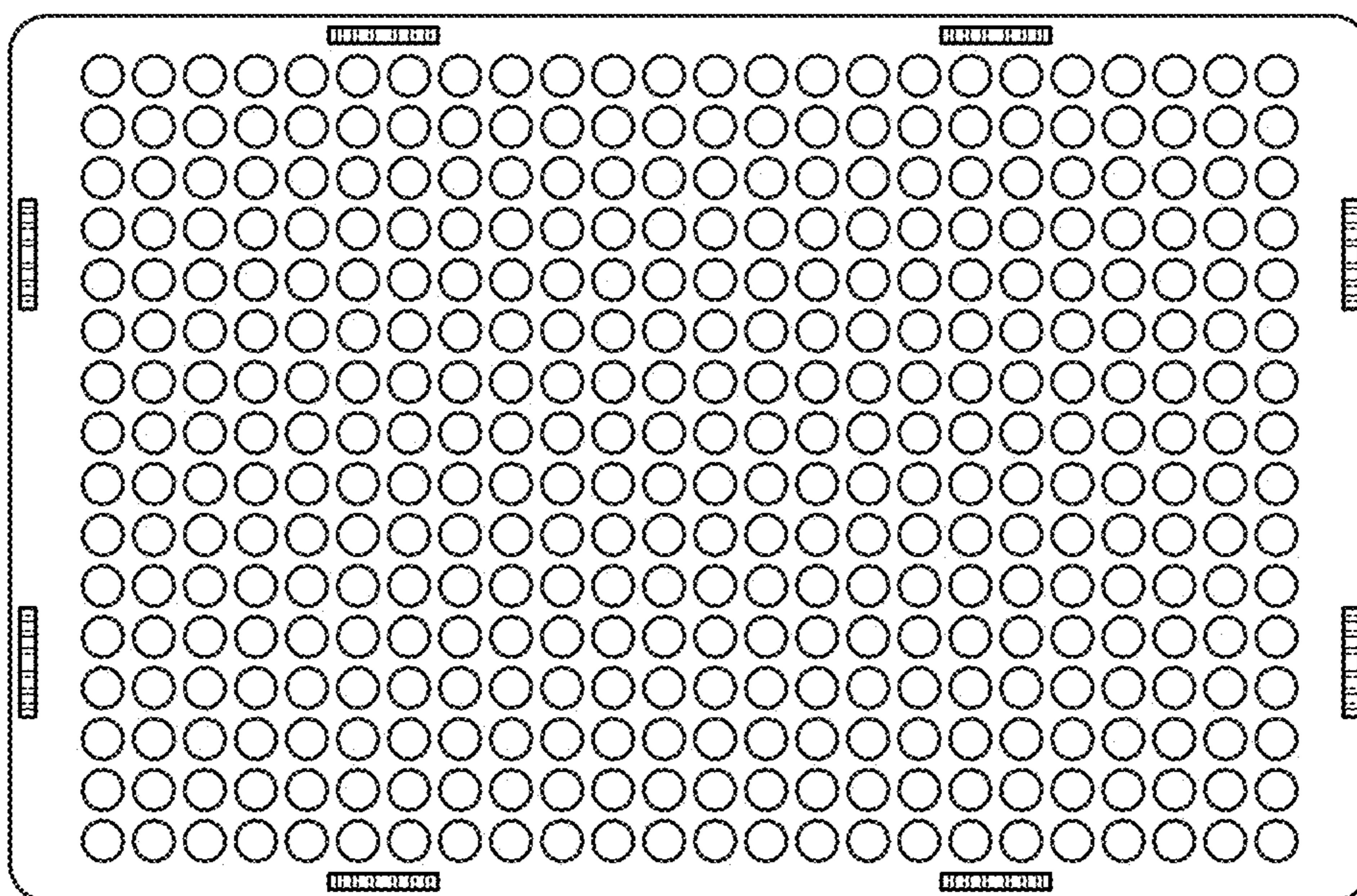


FIG. 4

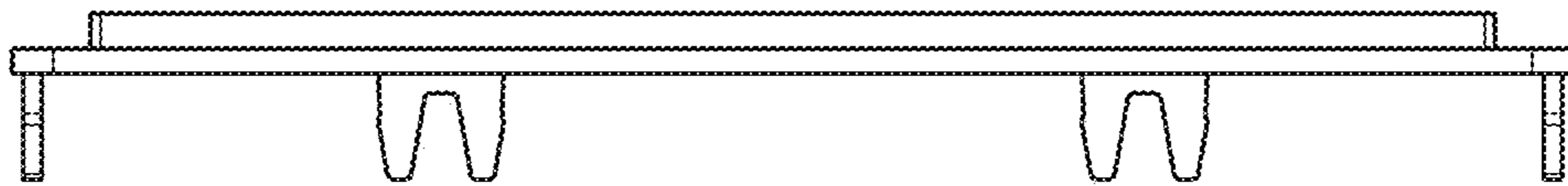


FIG. 5

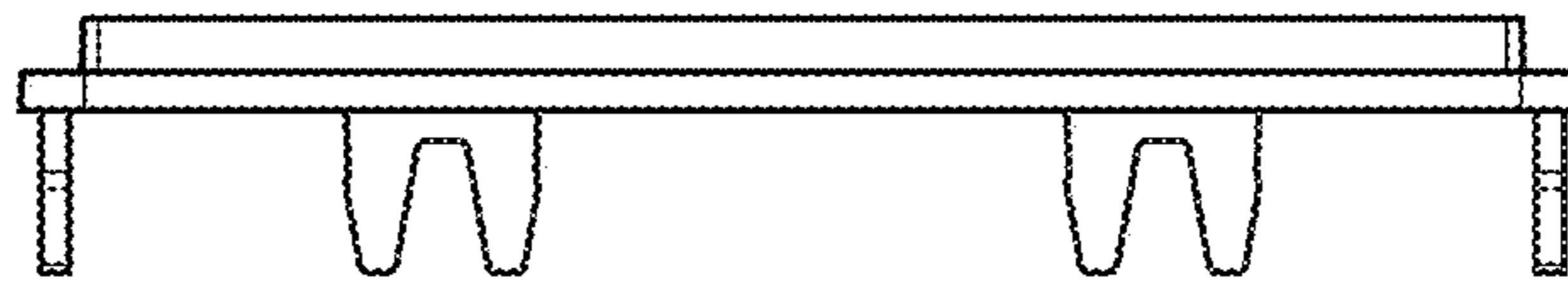


FIG. 6