

US00D957680S

(12) **United States Design Patent**
Evans et al.

(10) **Patent No.:** **US D957,680 S**
(45) **Date of Patent:** **** Jul. 12, 2022**

- (54) **DEVICE FOR FILLING CARTRIDGES**
- (71) Applicant: **GRAVITRON, LLC**, Austin, TX (US)
- (72) Inventors: **Micah Evans**, Austin, TX (US); **Travis Dodson**, Austin, TX (US)
- (73) Assignee: **Gravitron, LLC**, Austin, TX (US)
- (**) Term: **15 Years**
- (21) Appl. No.: **29/769,355**
- (22) Filed: **Feb. 4, 2021**

Related U.S. Application Data

- (63) Continuation of application No. 29/679,059, filed on Feb. 1, 2019, now Pat. No. Des. 910,201.
- (51) **LOC (13) Cl.** **24-02**
- (52) **U.S. Cl.**
USPC **D24/224**
- (58) **Field of Classification Search**
USPC D24/107, 121–123, 216–217, 219,
D24/223–226, 227, 229–231, 232;
D3/203.1, 304; D27/162–169
CPC B01L 3/50853; B65B 67/02
See application file for complete search history.

References Cited

U.S. PATENT DOCUMENTS

| | | |
|------------|--------|----------------|
| D452,740 S | 1/2002 | Brennan et al. |
| D507,658 S | 7/2005 | Wescott, III |

| | | | |
|-----------------|---------|-------------------|---------|
| D772,426 S | 11/2016 | Sanchez et al. | |
| D872,299 S | 1/2020 | Trump et al. | |
| 10,604,292 B1 | 3/2020 | Dodson et al. | |
| D888,278 S * | 6/2020 | Madigan | D24/227 |
| D902,428 S * | 11/2020 | Klintstedt | D24/223 |
| D907,209 S * | 1/2021 | Maw | D24/162 |
| D907,210 S * | 1/2021 | Maw | D24/162 |
| D910,201 S * | 2/2021 | Evans | D24/224 |
| D932,046 S * | 9/2021 | Jobin | D24/216 |
| D932,052 S * | 9/2021 | Zergiebel | D24/229 |
| 2005/0076969 A1 | 4/2005 | Tahil et al. | |
| 2008/0216312 A1 | 9/2008 | Williams et al. | |
| 2015/0128534 A1 | 5/2015 | Bouthiette et al. | |

* cited by examiner

Primary Examiner — Omeed Agilee

(74) *Attorney, Agent, or Firm* — Dickinson Wright, PLLC; Michael E. Noe, Jr.

(57) **CLAIM**

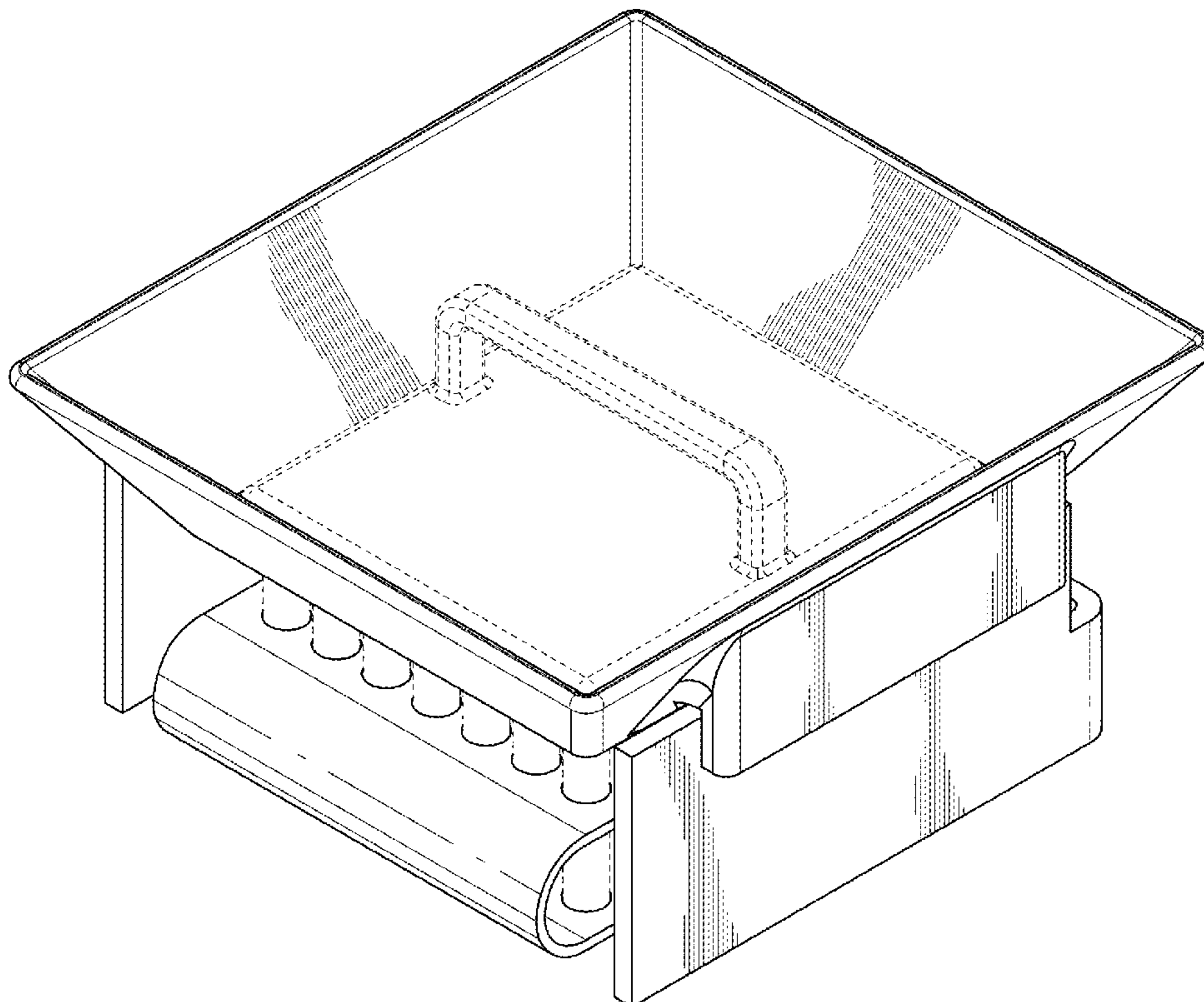
The ornamental design for a device for filling cartridges, as shown and described.

DESCRIPTION

FIG. 1 is an isometric view of a device for filling cartridges; FIG. 2 is a right side view thereof; FIG. 3 is a left side view thereof; FIG. 4 is a front view thereof; and, FIG. 5 is a rear view thereof.

The broken lines in the drawings depict portions of the device for filling cartridges that form no part of the claimed design.

1 Claim, 3 Drawing Sheets



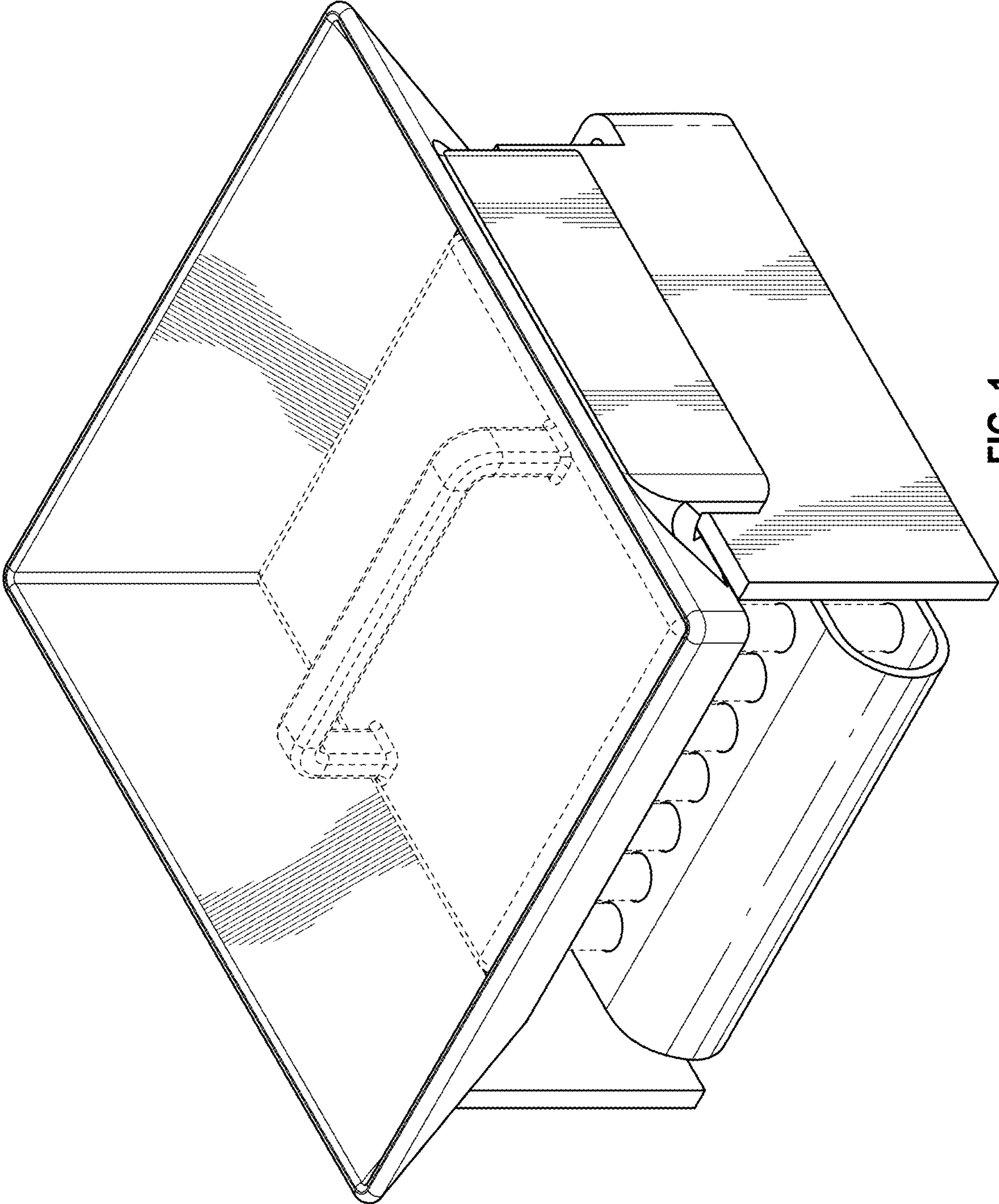


FIG. 1

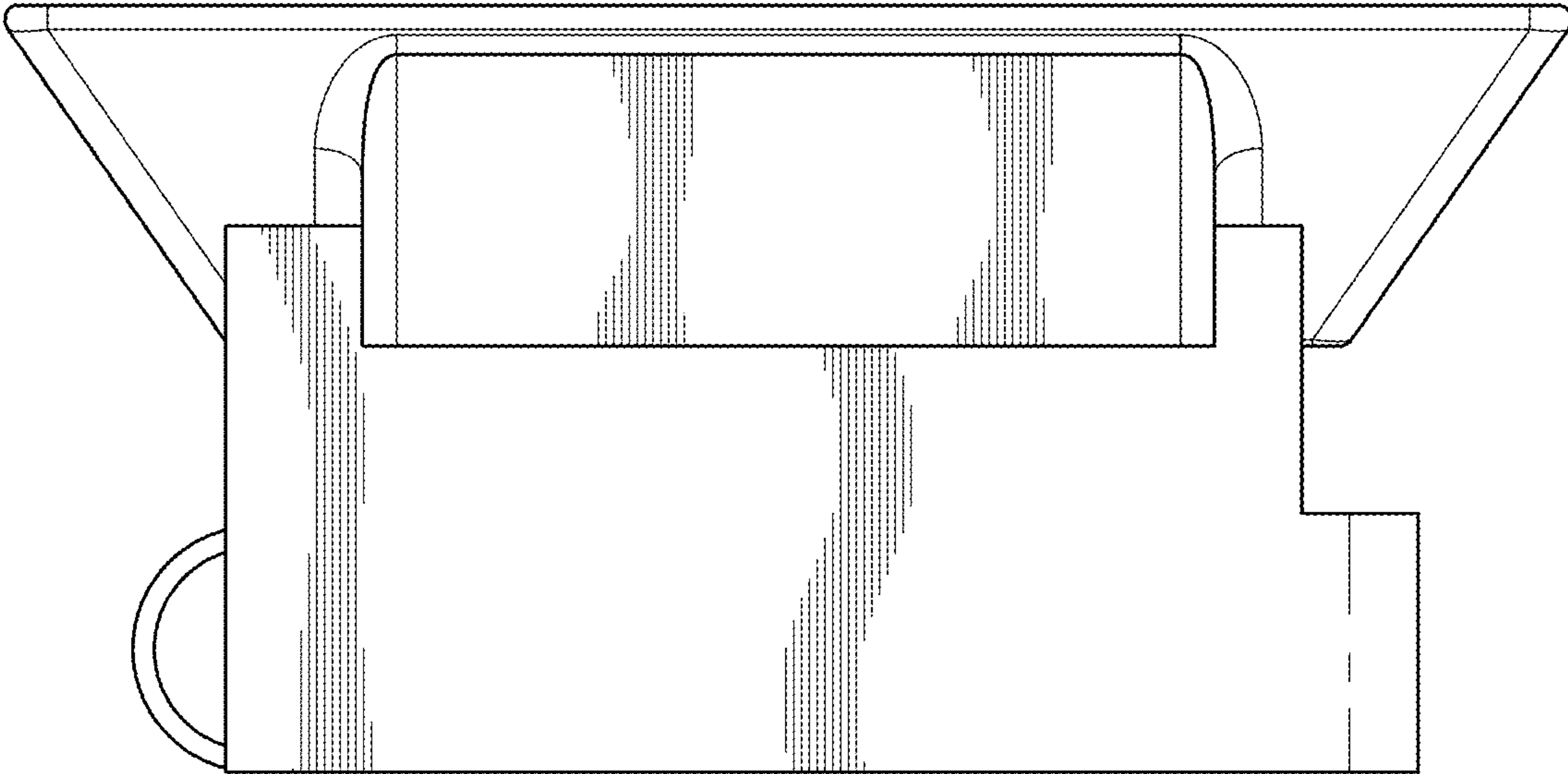


FIG. 2

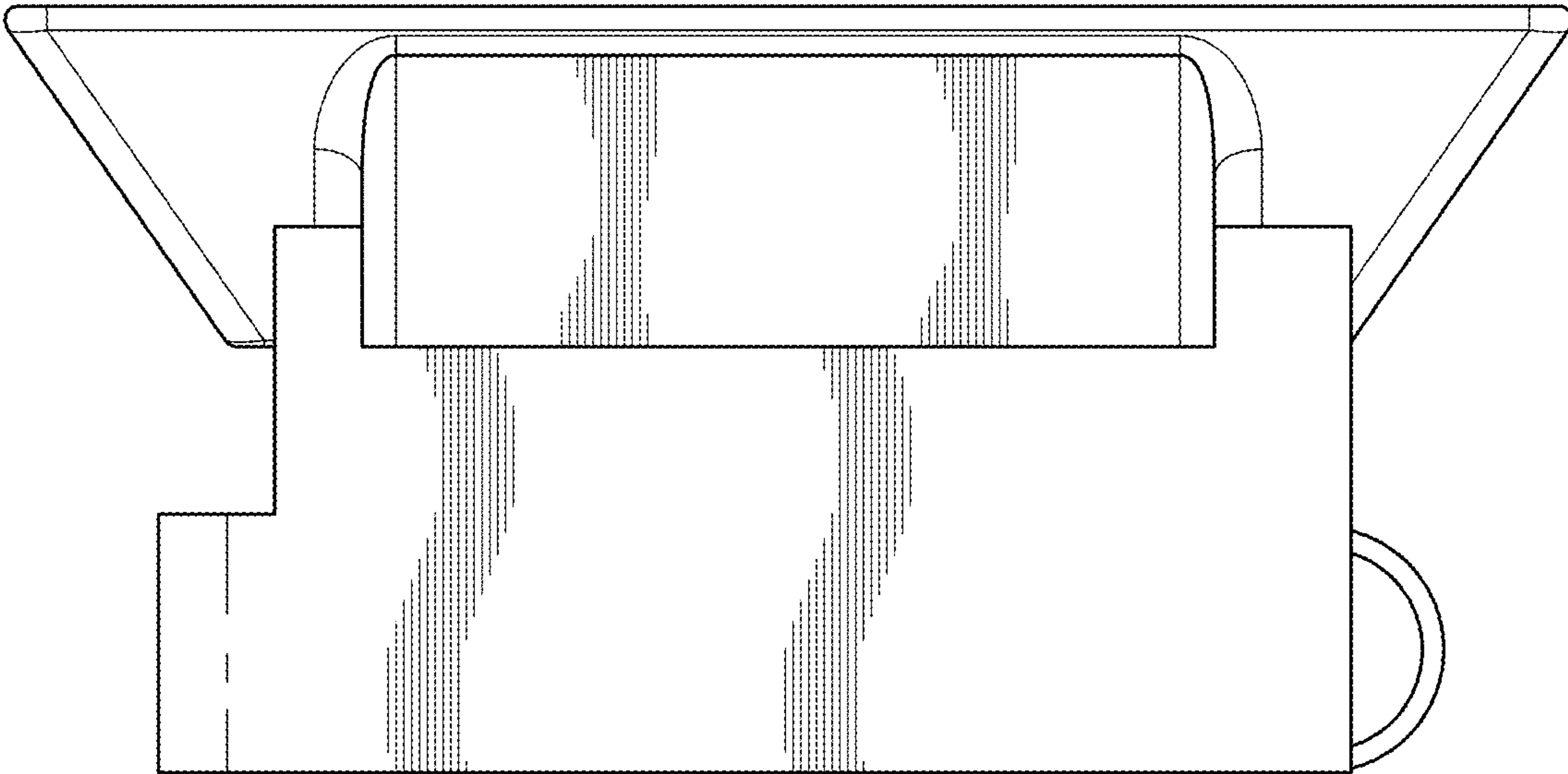


FIG. 3

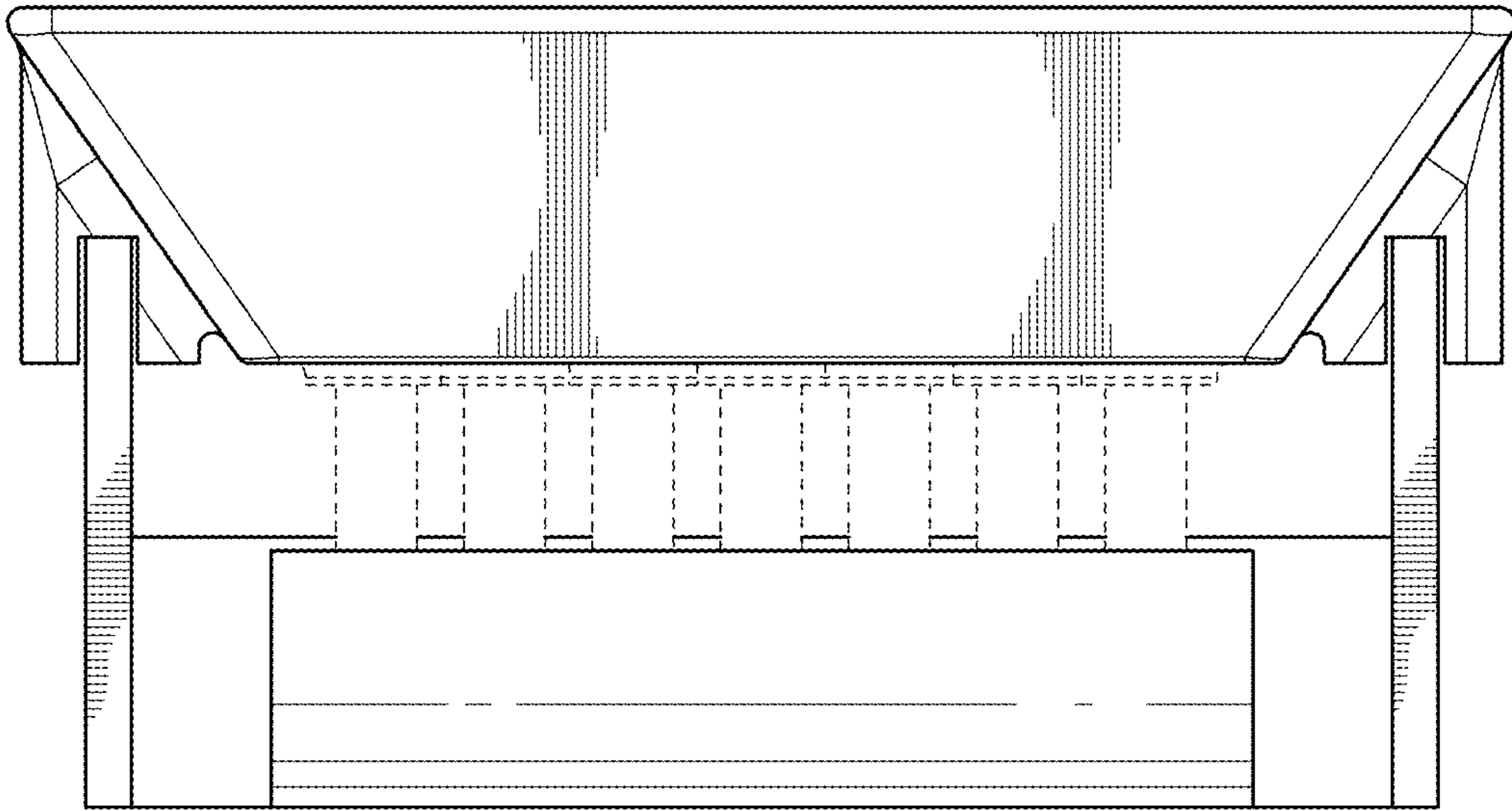


FIG. 4

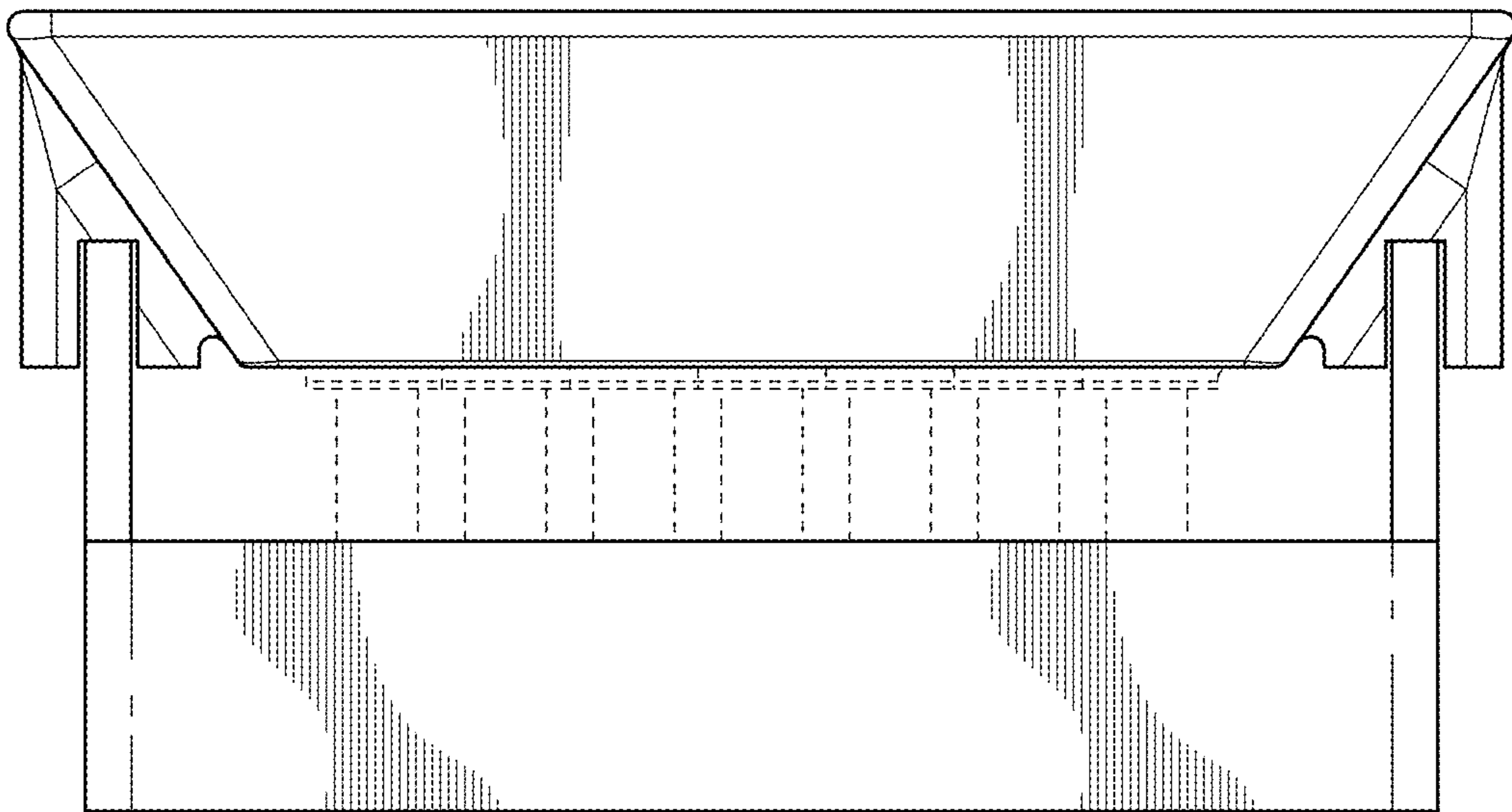


FIG. 5