



US00D957679S

(12) **United States Design Patent**
Chung et al.

(10) **Patent No.:** **US D957,679 S**
(45) **Date of Patent:** **** Jul. 12, 2022**

- (54) **EXTRACTION CARTRIDGE**
- (71) Applicant: **Delta Electronics, Inc.**, Taoyuan (TW)
- (72) Inventors: **Wei-Yu Chung**, Taoyuan (TW);
Song-Bin Huang, Taoyuan (TW);
Shing-Lun Liu, Taoyuan (TW); **Yu-Kai Kao**, Taoyuan (TW); **Yi-Chen Li**, Taoyuan (TW)
- (73) Assignee: **DELTA ELECTRONICS, INC.**, Taoyuan (TW)
- (**) Term: **15 Years**
- (21) Appl. No.: **29/675,213**
- (22) Filed: **Dec. 28, 2018**
- (51) **LOC (13) Cl.** **24-01**
- (52) **U.S. Cl.**
USPC **D24/224**
- (58) **Field of Classification Search**
USPC D24/216, 219, 220, 222, 224, 225, 226,
D24/227, 229, 223, 101, 103, 104, 107
CPC A61B 5/150022; A61B 5/15; A61B
5/150358; A61B 10/02; B01L 3/5635;
B01L 3/5082; B01L 3/5021
See application file for complete search history.

- (56) **References Cited**
U.S. PATENT DOCUMENTS
- | | | | | |
|--------------|---------|-----------|-------|---------|
| D300,245 S * | 3/1989 | Navarro | | D24/229 |
| D327,743 S * | 7/1992 | Frenkel | | D24/226 |
| D333,522 S * | 2/1993 | Gianino | | D24/229 |
| D333,523 S * | 2/1993 | Gianino | | D24/229 |
| D621,059 S * | 8/2010 | Marquardt | | D24/225 |
| D701,972 S * | 4/2014 | Ohmae | | D24/229 |
| D702,364 S * | 4/2014 | Iqbal | | D24/225 |
| D762,874 S * | 8/2016 | Ito | | D24/225 |
| D799,058 S * | 10/2017 | Kennedy | | D24/227 |
| D804,682 S * | 12/2017 | Taylor | | D24/225 |

- D837,401 S * 1/2019 Gardner D24/230
 - 10,213,783 B2 * 2/2019 Chen B01L 3/527
 - 2006/0172642 A1 * 8/2006 Sasaki G01N 1/34
442/99
 - 2008/0098830 A1 * 5/2008 Martinell Gispert-Sauch
B01L 9/06
73/864.91
 - 2009/0270765 A1 * 10/2009 Ghesquiere A61B 5/14532
600/583
 - 2013/0272931 A1 * 10/2013 Chien B01L 3/5085
422/547
 - 2015/0323776 A1 * 11/2015 Dyson-Holland G01N 1/312
348/79
 - 2018/0017175 A1 * 1/2018 Liang F16K 31/005
 - 2019/0111428 A1 * 4/2019 Chung B01L 7/00
 - 2019/0118180 A1 * 4/2019 Chung B01L 3/502738
- (Continued)

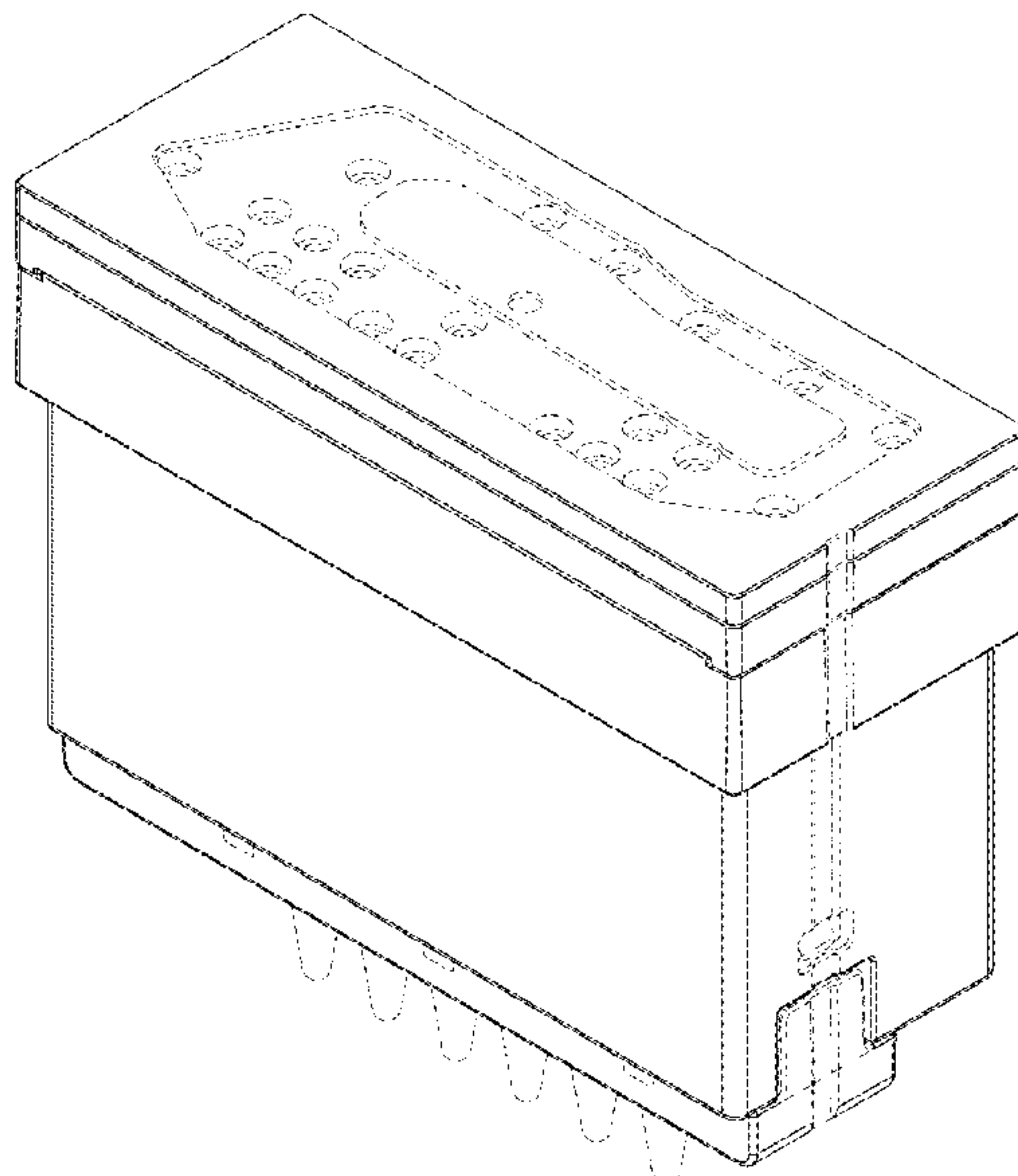
Primary Examiner — Mary Shannon Malley
(74) *Attorney, Agent, or Firm* — Muncy, Geissler, Olds & Lowe, PC

(57) **CLAIM**
The ornamental design for an extraction cartridge, as shown and described.

DESCRIPTION

FIG. 1 is a perspective view of an extraction cartridge showing our new design;
FIG. 2 is a front view of the extraction cartridge;
FIG. 3 is a rear view of the extraction cartridge;
FIG. 4 is a left side view of the extraction cartridge;
FIG. 5 is a right side view of the extraction cartridge;
FIG. 6 is a top plan view of the extraction cartridge; and,
FIG. 7 is a bottom plan view of the extraction cartridge.
The dash-dash broken lines illustrate portions of the extraction cartridge that form no part of the claimed design. The dash-dot broken lines depict the boundaries of the claimed design, and form no part thereof. The areas in FIGS. 1, 4 and 5 enclosed by broken lines and dash-dot lines form no part of the claimed design.

1 Claim, 5 Drawing Sheets



(56)

References Cited

U.S. PATENT DOCUMENTS

2019/0201896 A1* 7/2019 Huang B01L 3/50273

* cited by examiner

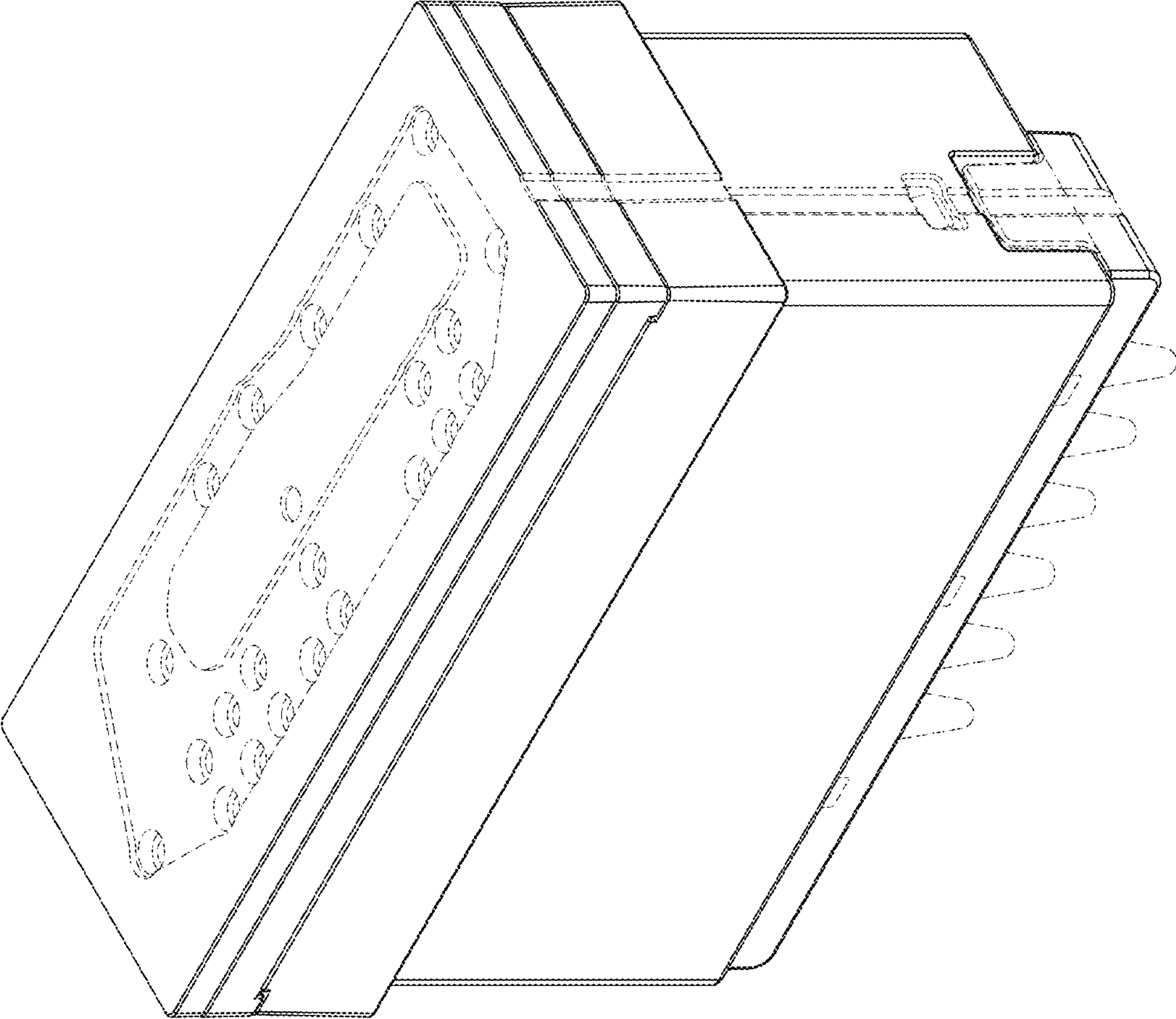


FIG. 1

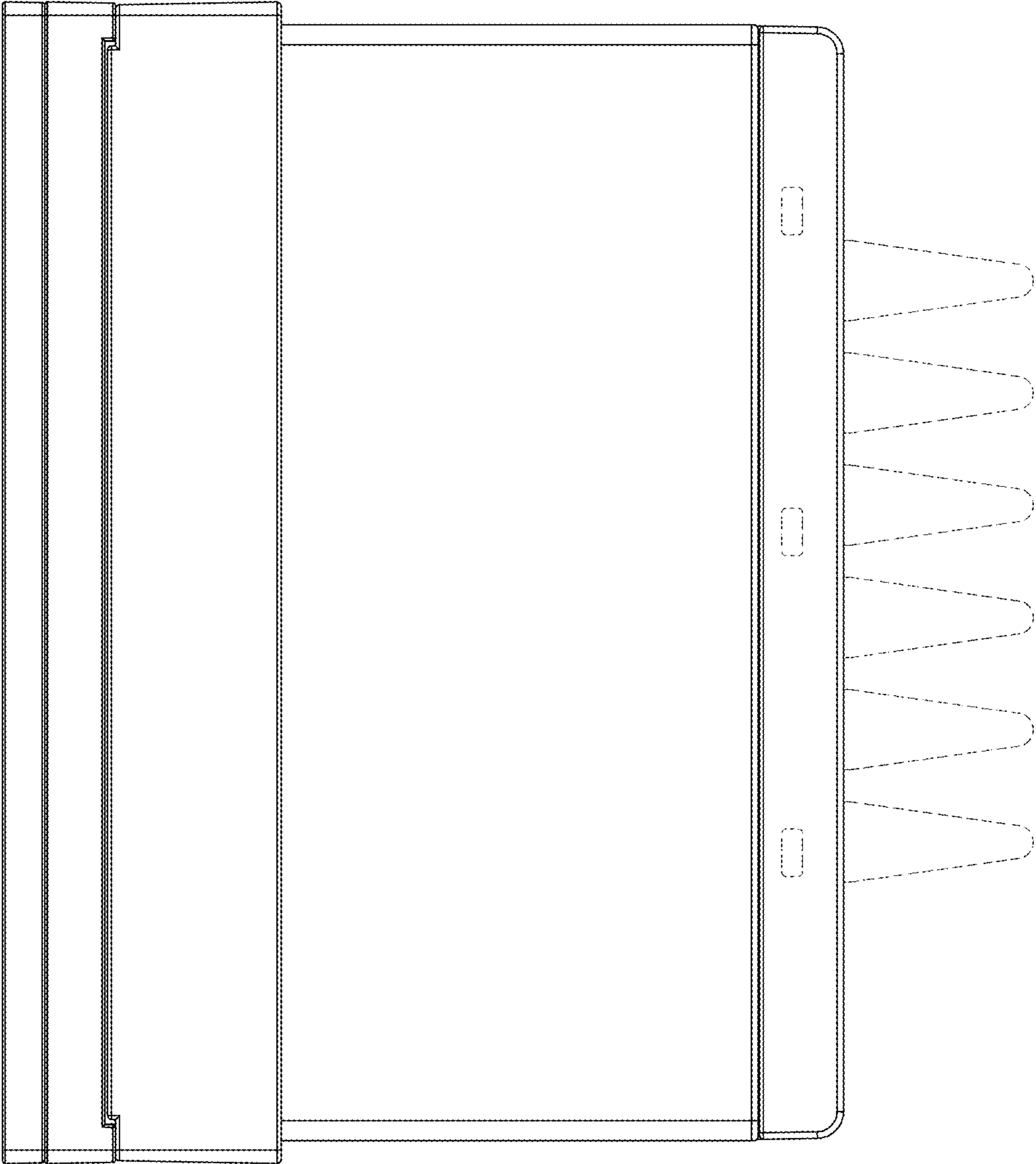


FIG. 2

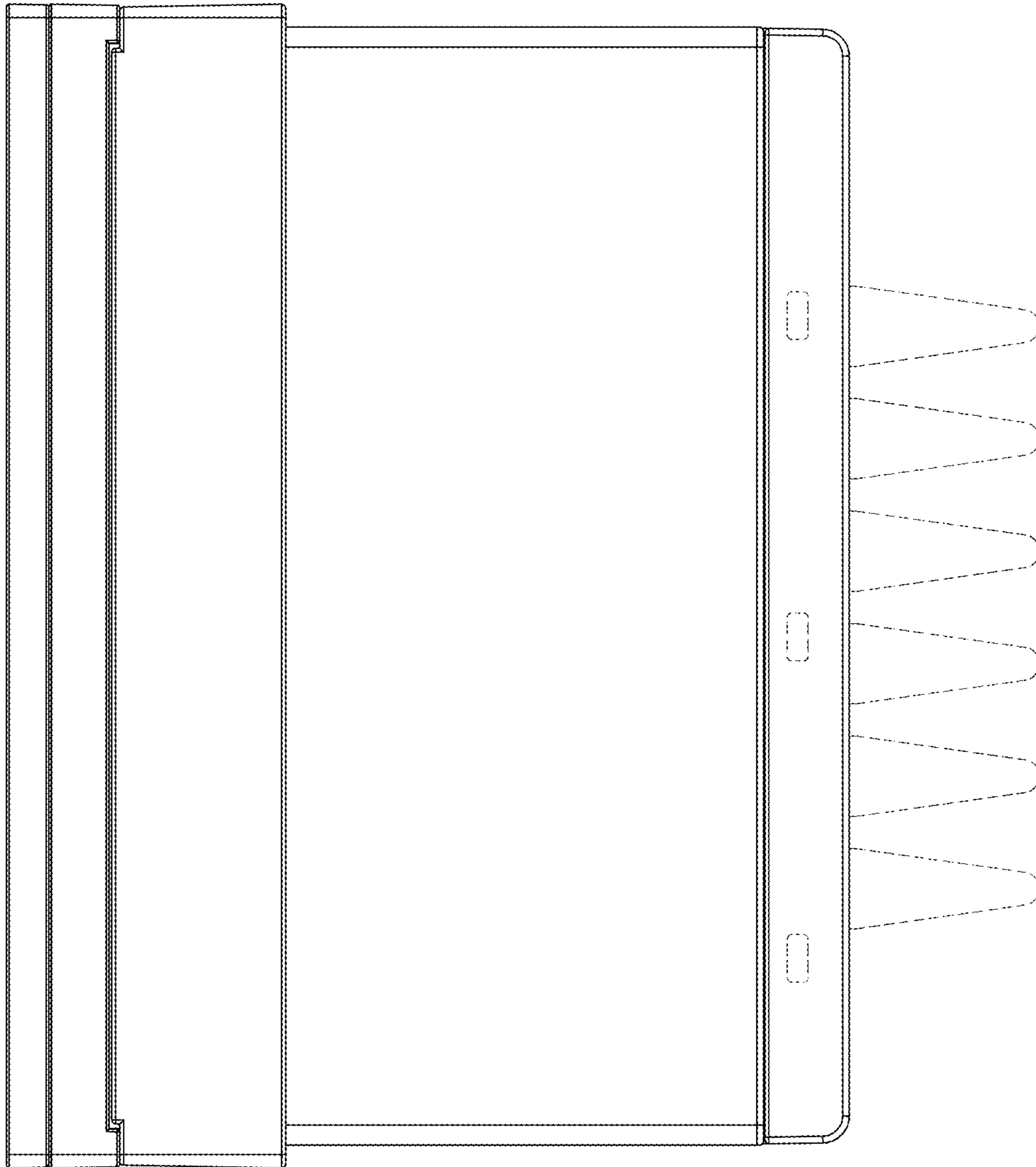


FIG. 3

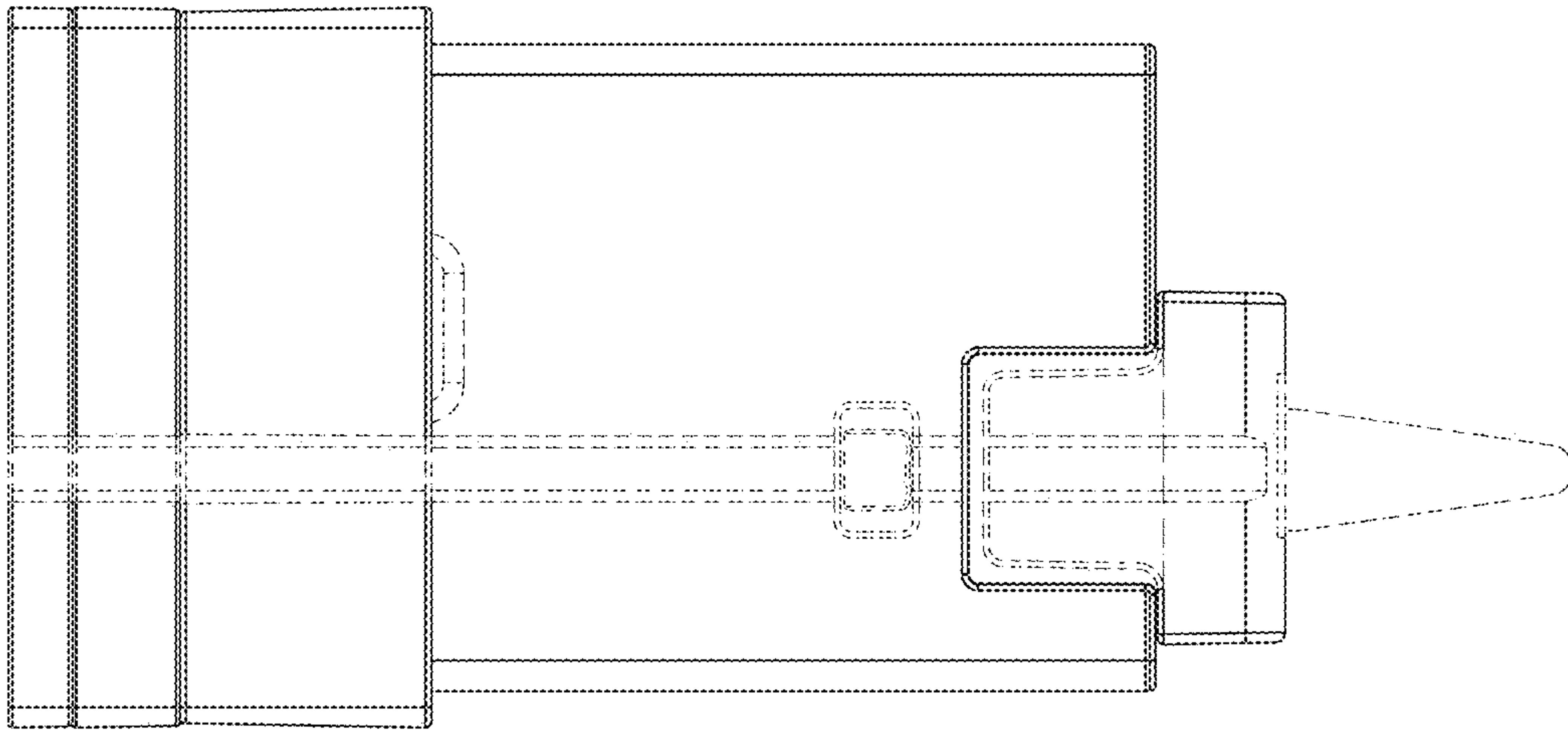


FIG. 5

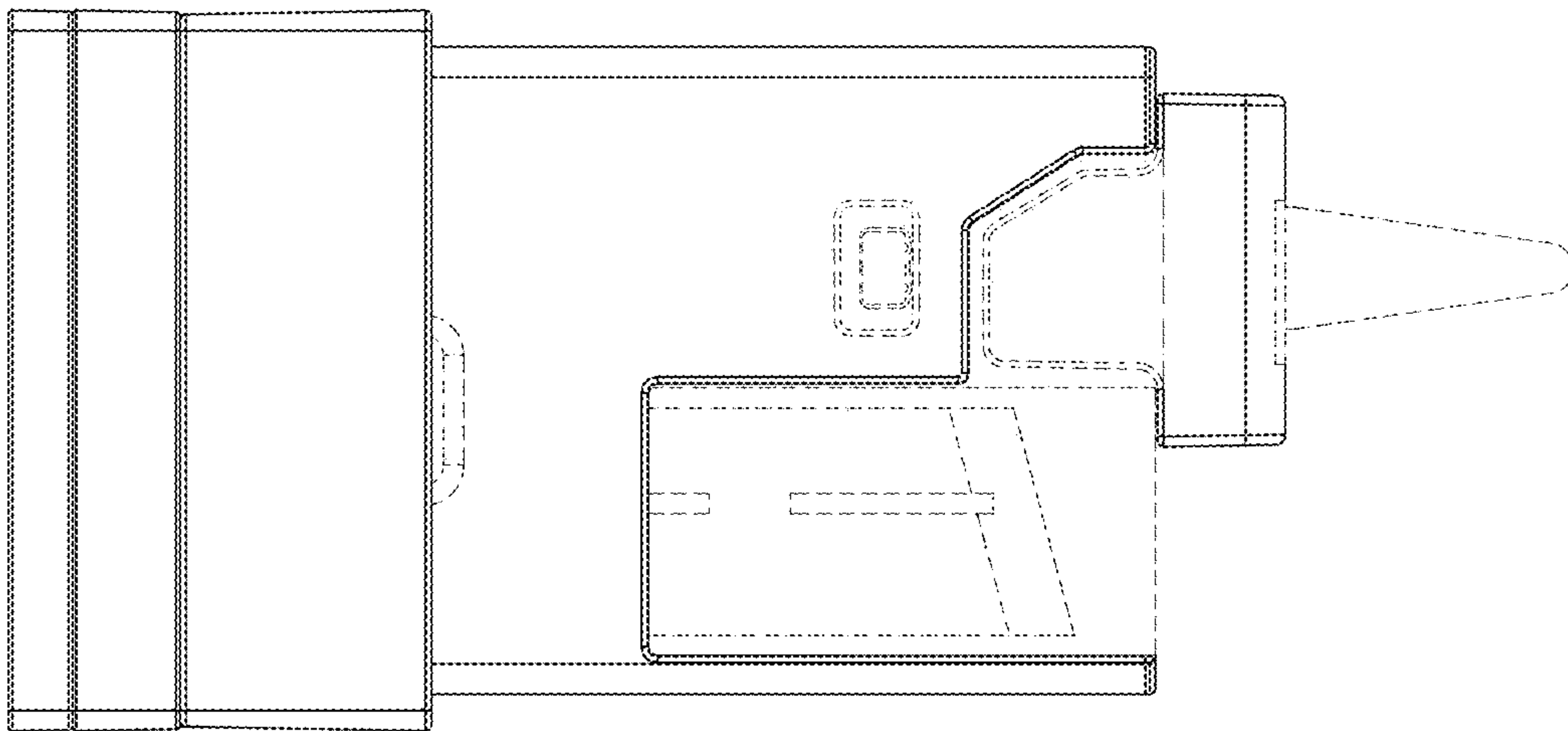


FIG. 4

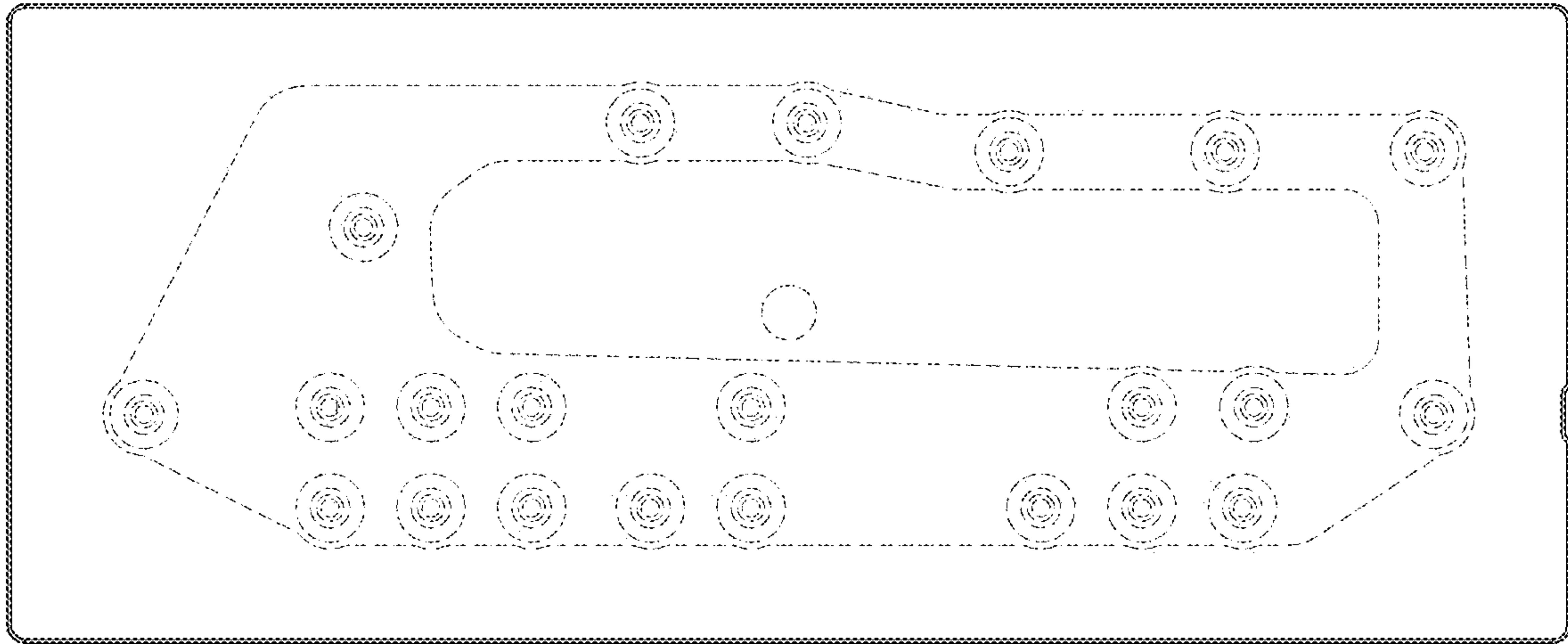


FIG. 6

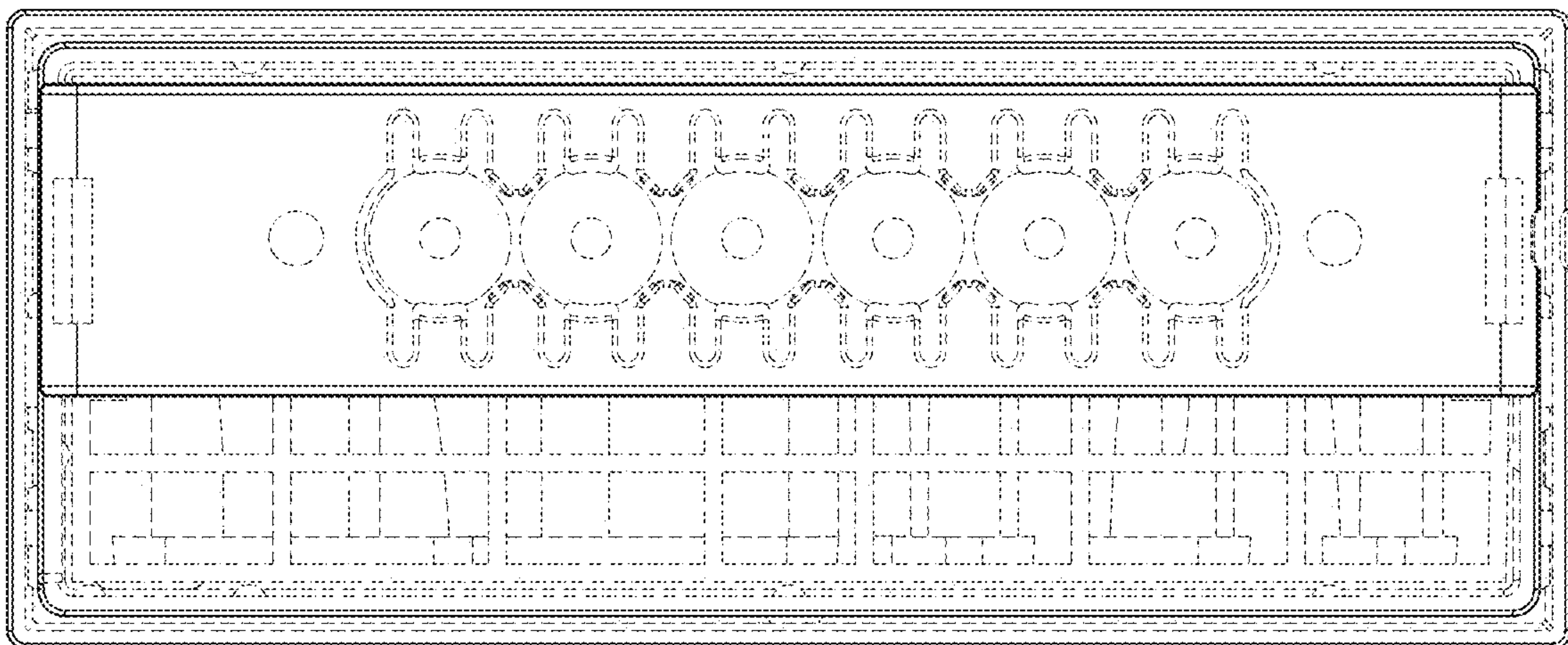


FIG. 7