

US00D957677S

(12) **United States Design Patent** (10) **Patent No.:** **US D957,677 S**  
**Henke et al.** (45) **Date of Patent:** **\*\* Jul. 12, 2022**

(54) **STERILE CONTAINER SECURITY SEAL**  
(71) Applicant: **Aesculap AG**, Tuttlingen (DE)  
(72) Inventors: **Matthias Henke**, Tuttlingen (DE);  
**Betina Bernauer**, Tuttlingen (DE); **Lisa Marie Blöchle**, Tuttlingen (DE);  
**Andreas Elisch**, Tuttlingen (DE); **John Gray-Dreizler**, Tuttlingen (DE);  
**Matthias Schweizer**, Tuttlingen (DE);  
**Stefan Thomas**, Tuttlingen (DE);  
**Michael Scherger**, Hamburg (DE);  
**Björn Vibrans**, Hamburg (DE)

D757,258 S \* 5/2016 Weißhaupt ..... D24/127  
D772,425 S \* 11/2016 Bahadir ..... D24/227  
9,957,090 B2 \* 5/2018 Weisshaupt ..... B65D 45/322  
10,329,060 B2 \* 6/2019 Weisshaupt ..... A61L 2/26  
D889,682 S \* 7/2020 Maw ..... D24/217  
D914,237 S \* 3/2021 Johnsen ..... D24/224  
D942,270 S \* 2/2022 Jackson ..... D9/439  
2004/0040967 A1 \* 3/2004 Eiskant ..... A61L 2/26  
220/795  
2021/0282879 A1 \* 9/2021 Thomas ..... A61B 50/30  
2022/0003026 A1 \* 1/2022 Thomas ..... G09F 3/0358

(73) Assignee: **AESCULAP AG**, Tuttlingen (DE)

(\*\*) Term: **15 Years**

(21) Appl. No.: **29/754,606**

(22) Filed: **Oct. 13, 2020**

(30) **Foreign Application Priority Data**

Apr. 14, 2020 (EM) ..... 007809462-0047

(51) **LOC (13) Cl.** ..... **24-01**

(52) **U.S. Cl.**  
USPC ..... **D24/217**

(58) **Field of Classification Search**  
USPC ..... D24/107, 209, 210, 216, 217, 218, 231,  
D24/232, 234, 224, 227; D32/1, 25;  
D9/435, 436, 439  
CPC .... A61L 2/26; A61L 2202/181; G09F 3/0317;  
G09F 3/0358; G09F 3/0311; G09F  
3/0323; B65D 50/06  
See application file for complete search history.

(56) **References Cited**

**U.S. PATENT DOCUMENTS**

7,021,485 B1 \* 4/2006 Baker ..... A61L 2/26  
220/326  
D647,211 S \* 10/2011 Belfance ..... D24/224

**FOREIGN PATENT DOCUMENTS**

GB 9007742747-0003 \* 3/2020

\* cited by examiner

*Primary Examiner* — Anhdao Doan

(74) *Attorney, Agent, or Firm* — Culhane Meadow PLLC;  
Christopher A. Rothe

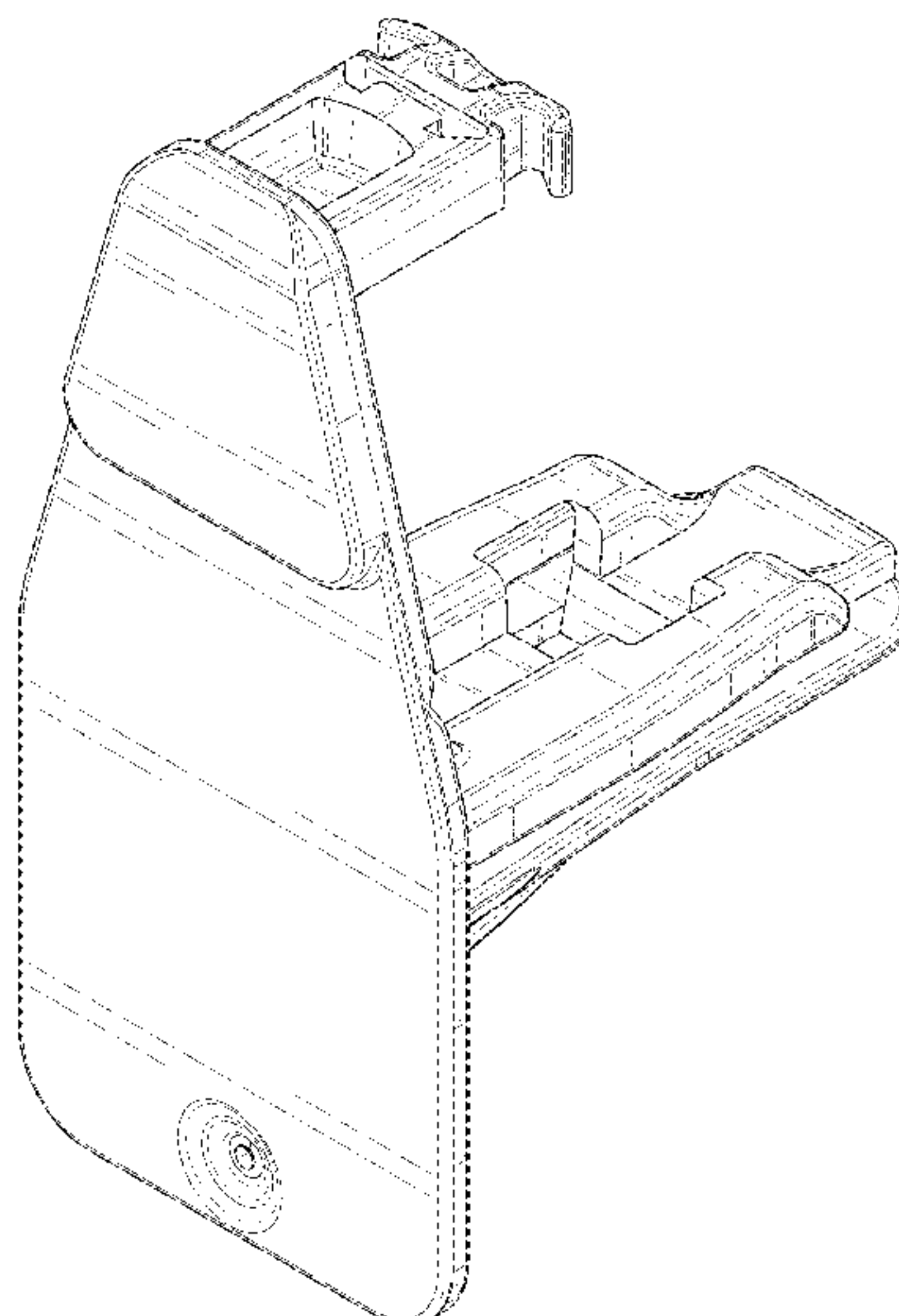
(57) **CLAIM**

The ornamental design for a sterile container security seal,  
as shown and described.

**DESCRIPTION**

FIG. 1 is a perspective view of the sterile container security seal;  
FIG. 2 is a front view thereof;  
FIG. 3 is a rear view thereof;  
FIG. 4 is a left side view thereof;  
FIG. 5 is a right side view thereof;  
FIG. 6 is a top view thereof; and,  
FIG. 7 is a bottom view thereof.

**1 Claim, 7 Drawing Sheets**



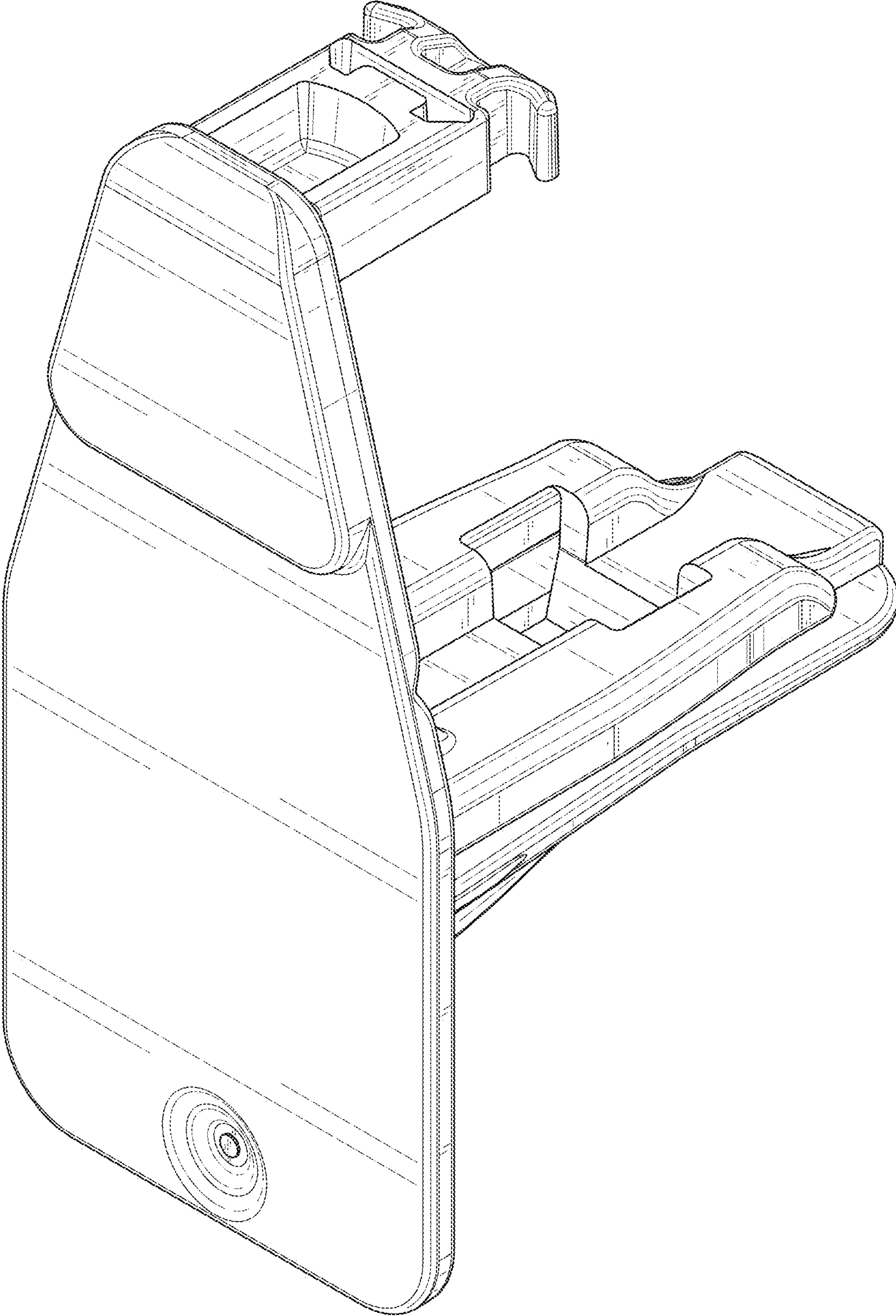


FIG. 1

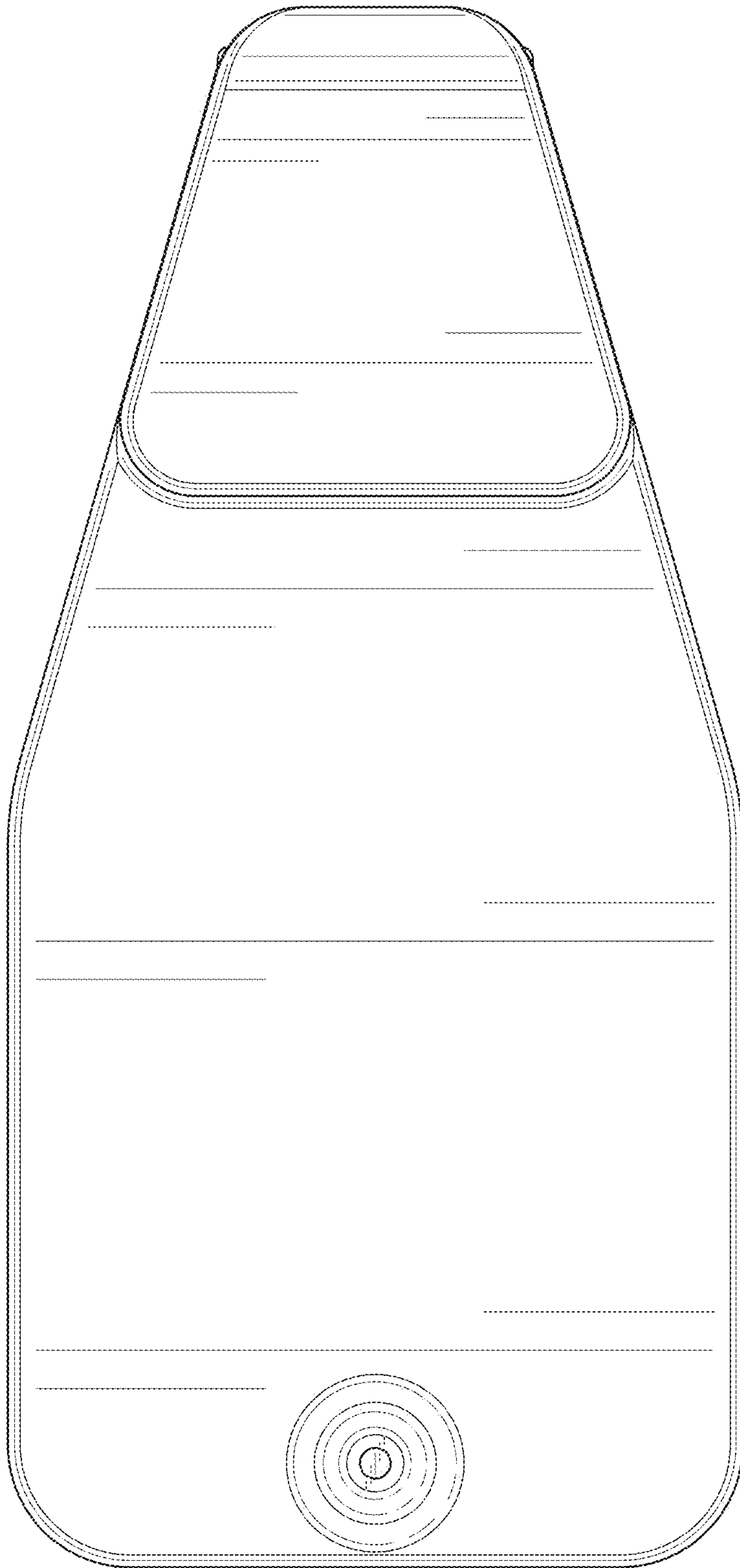


FIG. 2



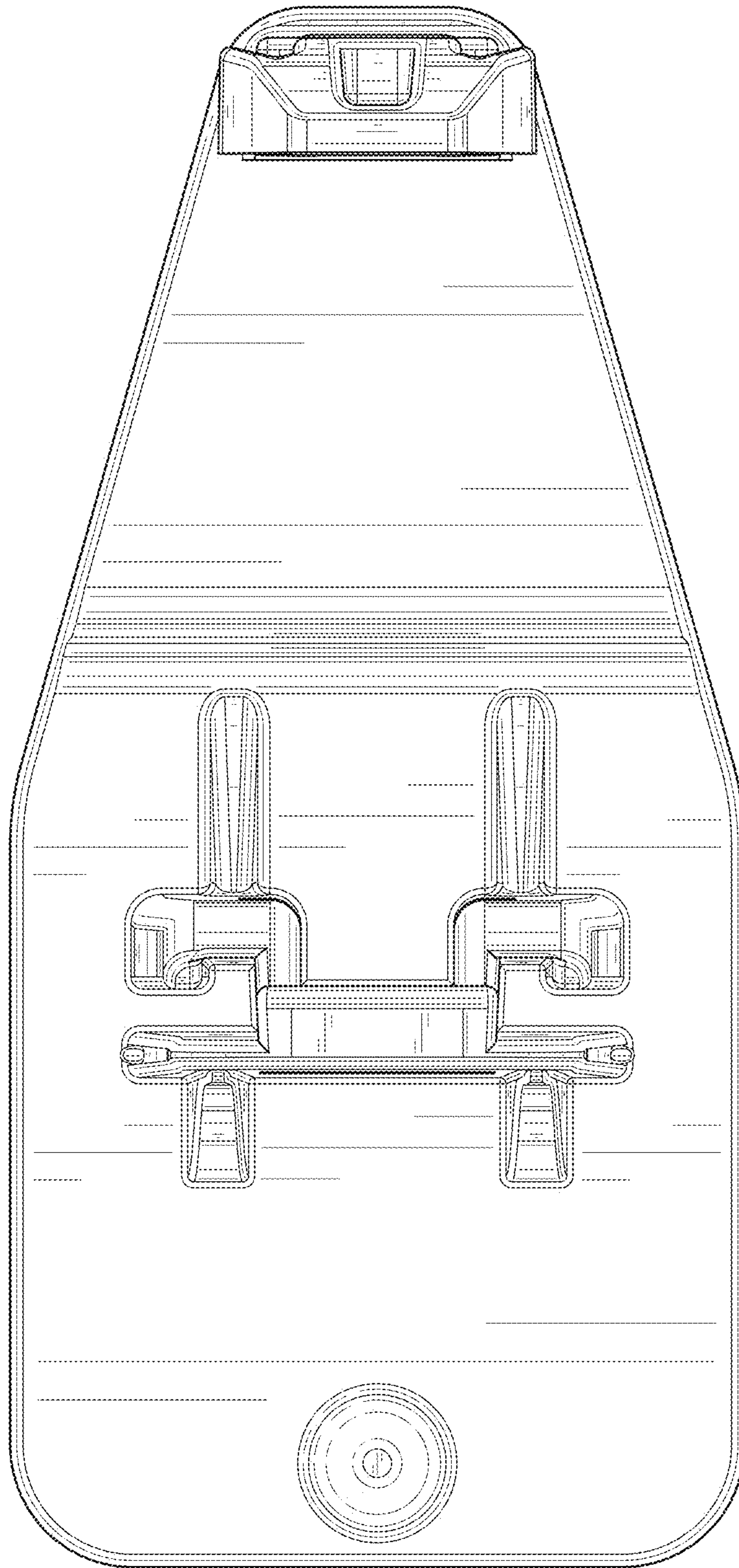


FIG. 3

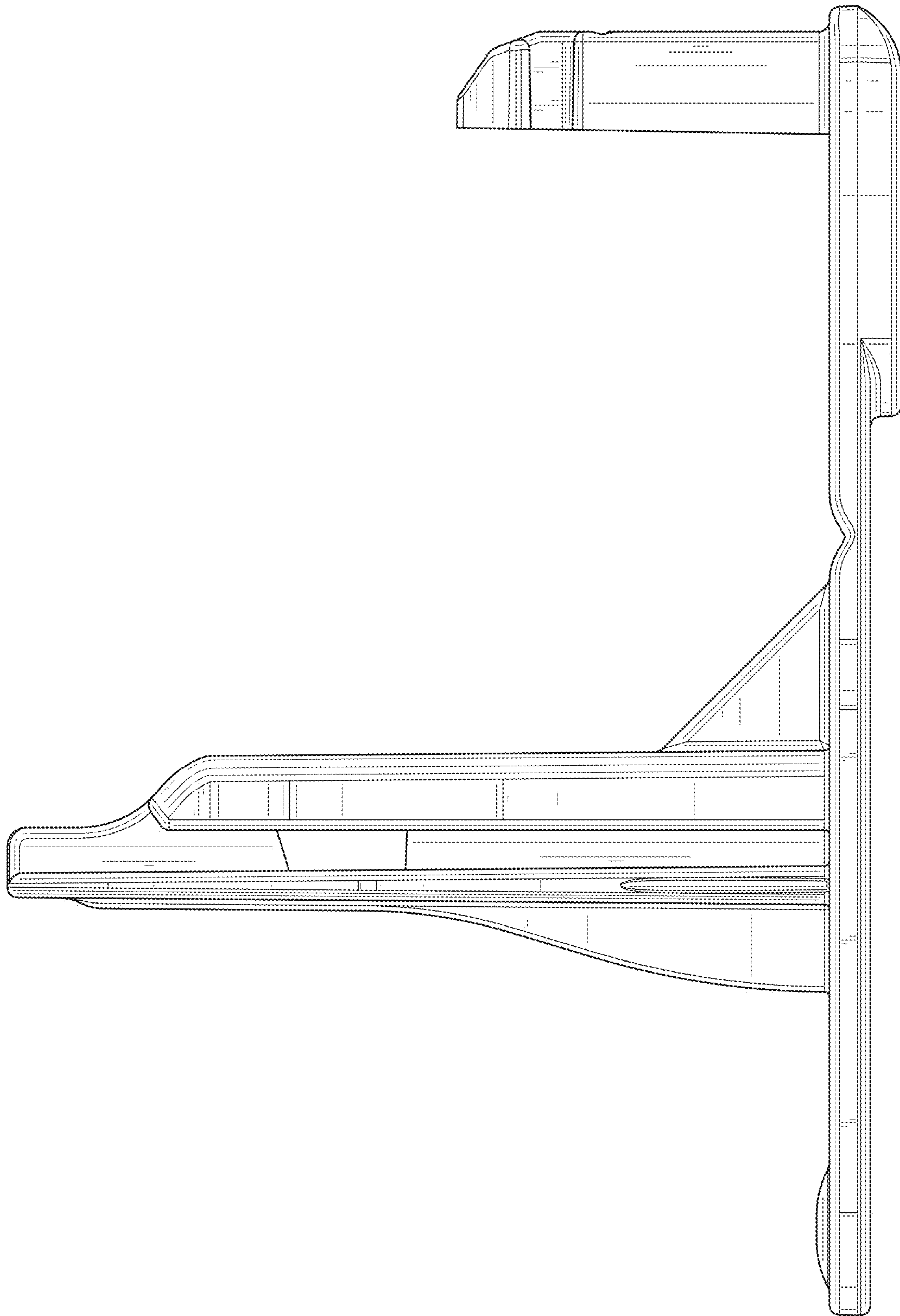


FIG. 4

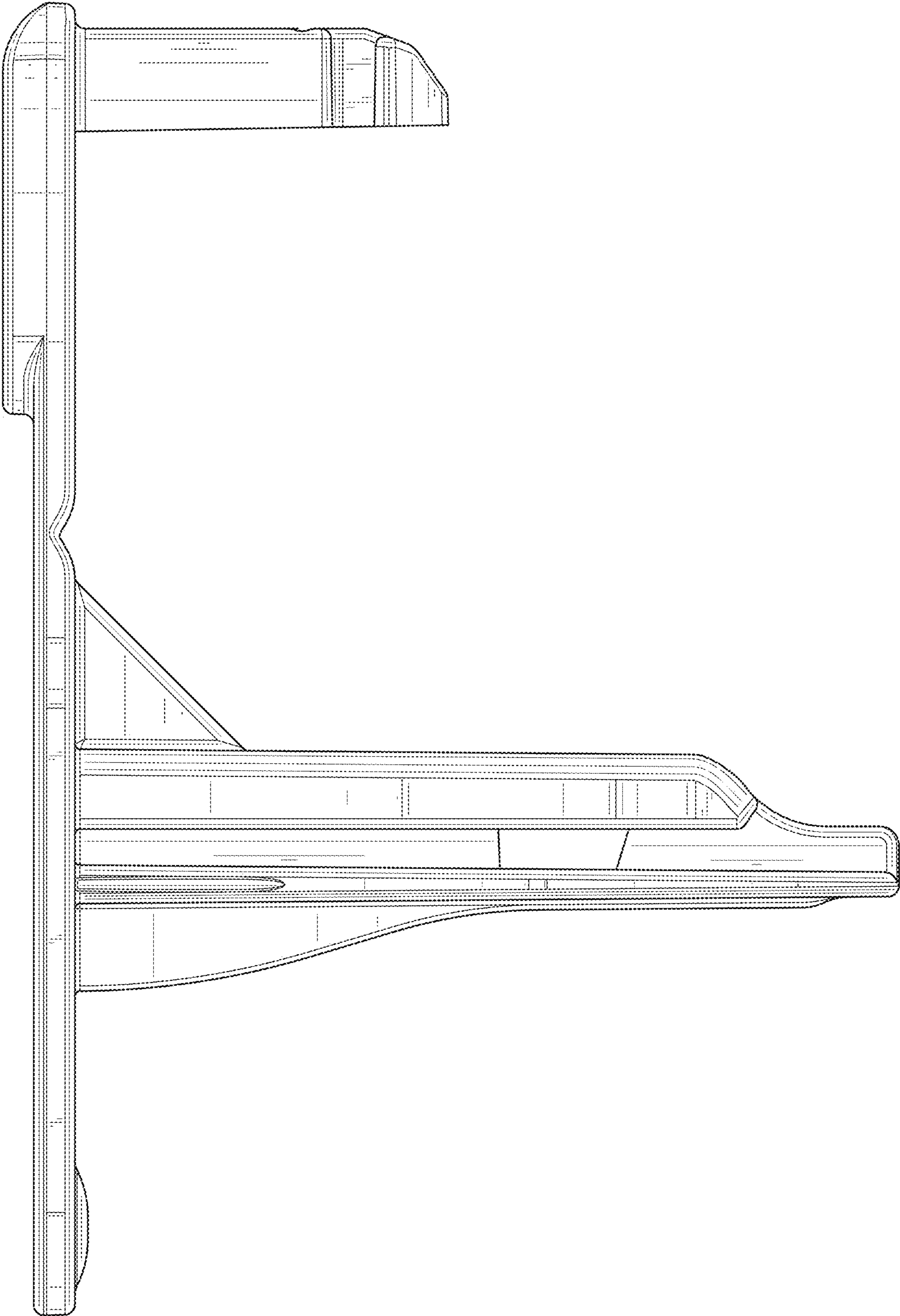


FIG. 5

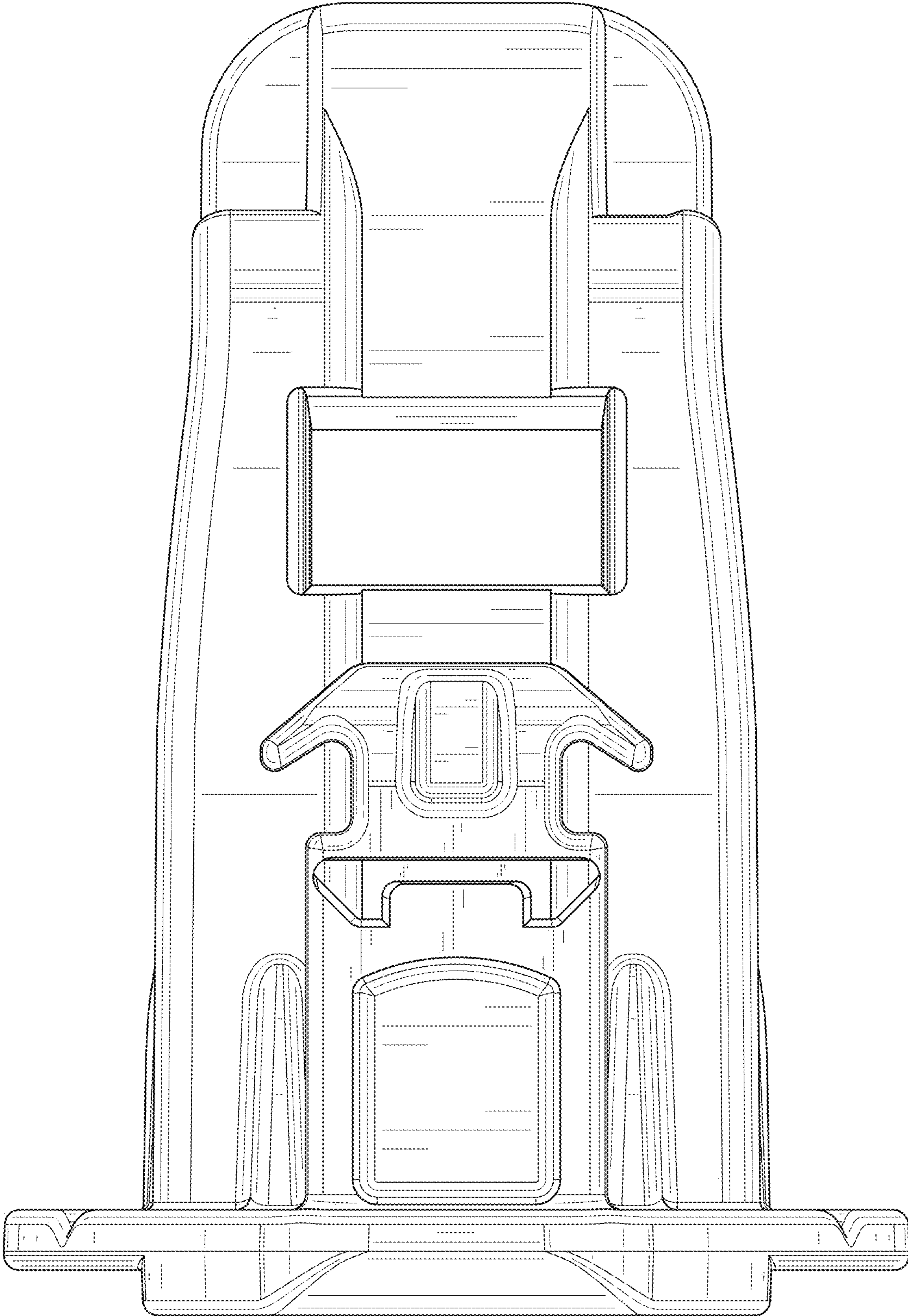


FIG. 6



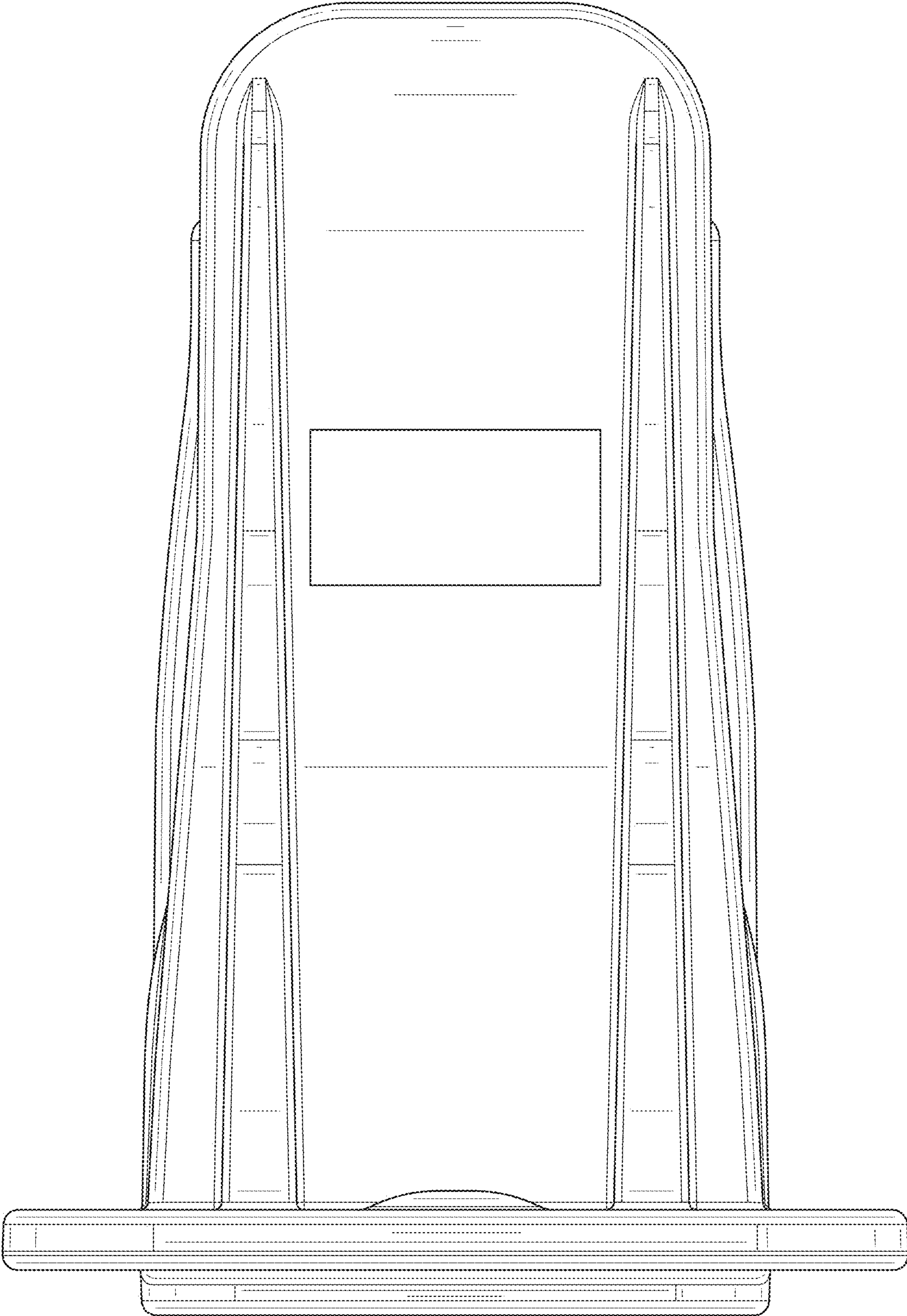


FIG. 7