



US00D957676S

(12) **United States Design Patent**  
**Zhou**

(10) **Patent No.:** **US D957,676 S**

(45) **Date of Patent:** **\*\* Jul. 12, 2022**

(54) **STERILIZING LIGHT**

(71) Applicant: **SHEN ZHEN STAND BY ME TECHNOLOGY LIMITED,**  
Guangdong (CN)

(72) Inventor: **Zhiping Zhou,** Guangdong (CN)

(73) Assignee: **SHEN ZHEN STAND BY ME TECHNOLOGY LIMITED,**  
Guangdong (CN)

(\*\*) Term: **15 Years**

(21) Appl. No.: **29/747,205**

(22) Filed: **Aug. 20, 2020**

(30) **Foreign Application Priority Data**

Aug. 12, 2020 (CN) ..... 202030457239.8

(51) **LOC (13) Cl.** ..... **24-01**

(52) **U.S. Cl.**  
USPC ..... **D24/217**

(58) **Field of Classification Search**  
USPC ..... D24/107, 186, 200, 209–213, 217–219,  
D24/224–232; D32/1, 25; D23/366  
CPC ... A61L 2/26; A61L 2/10; A61L 2/025; A61L  
2202/10; A61L 2202/11; A61L 2202/23;  
A61L 2202/122

See application file for complete search history.

(56) **References Cited**

U.S. PATENT DOCUMENTS

2,467,337 A \* 4/1949 Schnell ..... A61L 2/00  
422/302  
2,474,621 A \* 6/1949 Federico ..... A61L 2/26  
422/300

D527,461 S \* 8/2006 Yue ..... D24/217  
D815,298 S \* 4/2018 Gorelick ..... D24/217  
D864,774 S \* 10/2019 Lei ..... D10/81  
D873,434 S \* 1/2020 Xie ..... D24/217  
D881,406 S \* 4/2020 Kim ..... D24/217  
D901,670 S \* 11/2020 Tuononen ..... D24/107  
D912,798 S \* 3/2021 Oura ..... D23/366  
2019/0038008 A1 \* 2/2019 Lee ..... B65D 51/28  
2021/0283286 A1 \* 9/2021 Dunn ..... A61L 2/10

\* cited by examiner

Primary Examiner — Mary Shannon Malley

(74) Attorney, Agent, or Firm — ScienBiziP, P.C.

(57) **CLAIM**

The ornamental design for a sterilizing light, as shown and described.

**DESCRIPTION**

FIG. 1 is a front perspective view of a sterilizing light, showing my design.

FIG. 2 is a rear perspective view thereof.

FIG. 3 is a front elevation view thereof.

FIG. 4 is a rear elevation view thereof.

FIG. 5 is a left side elevation view thereof.

FIG. 6 is a right side elevation view thereof.

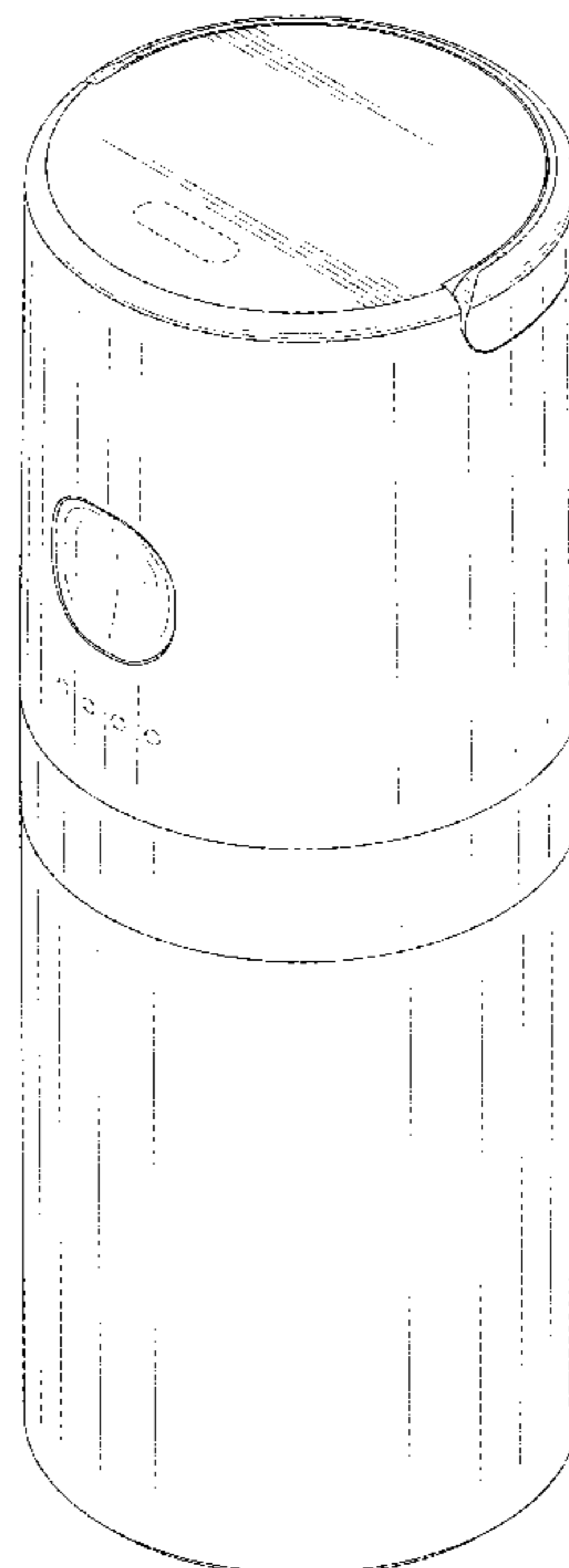
FIG. 7 is a top plan view thereof.

FIG. 8 is a bottom plan view thereof; and,

FIG. 9 is a perspective view of the sterilizing light of FIG. 1 wherein an inner part of the sterilizing light is out.

The broken lines illustrate portions of the sterilizing light that do not form part of the claimed design.

**1 Claim, 9 Drawing Sheets**



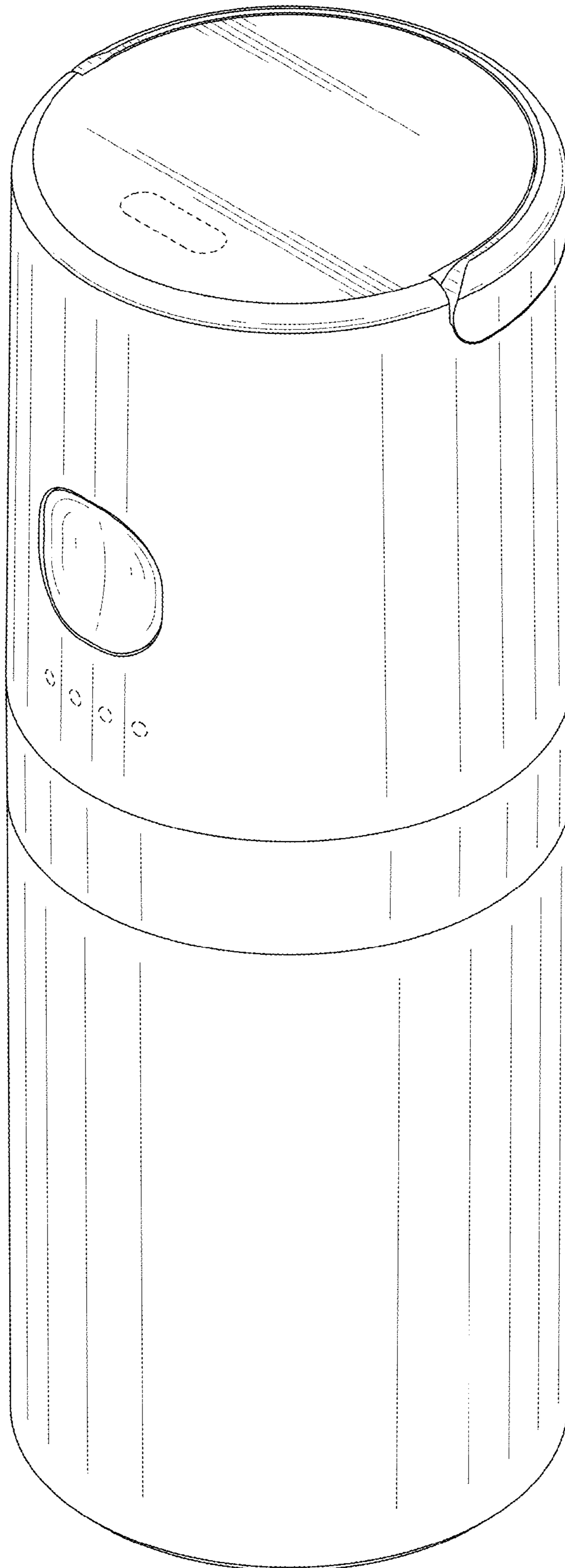


FIG. 1

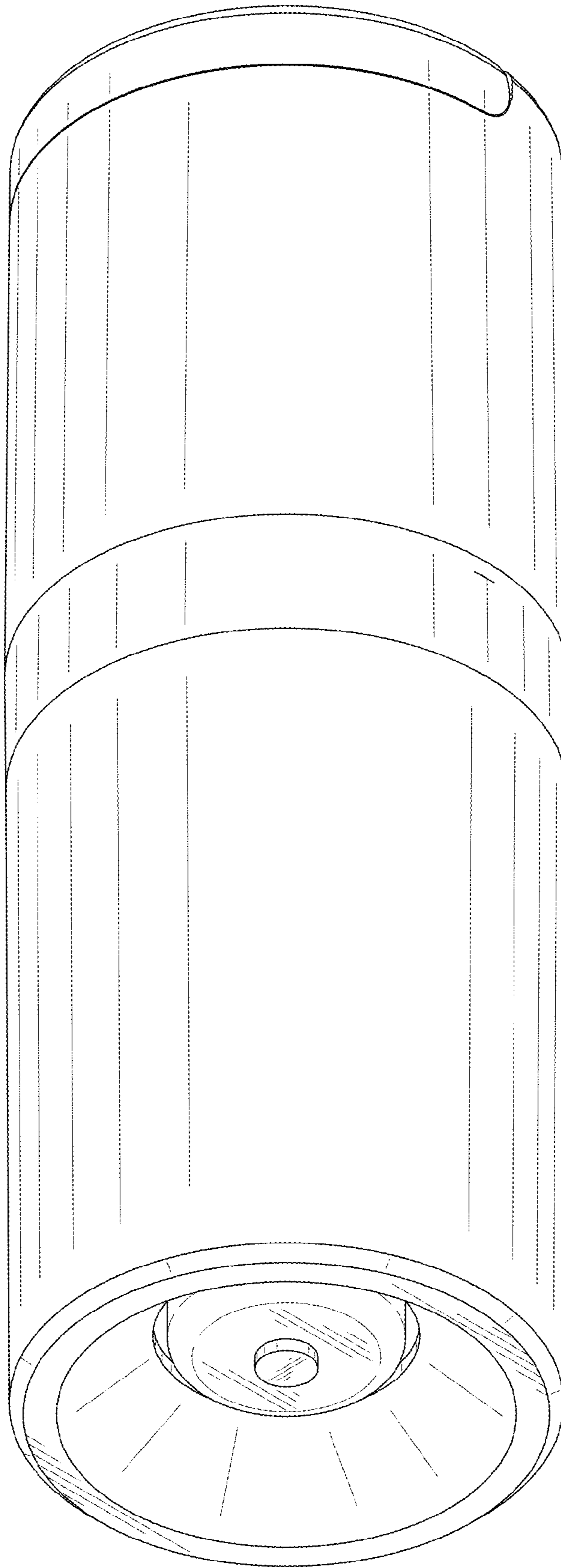


FIG. 2

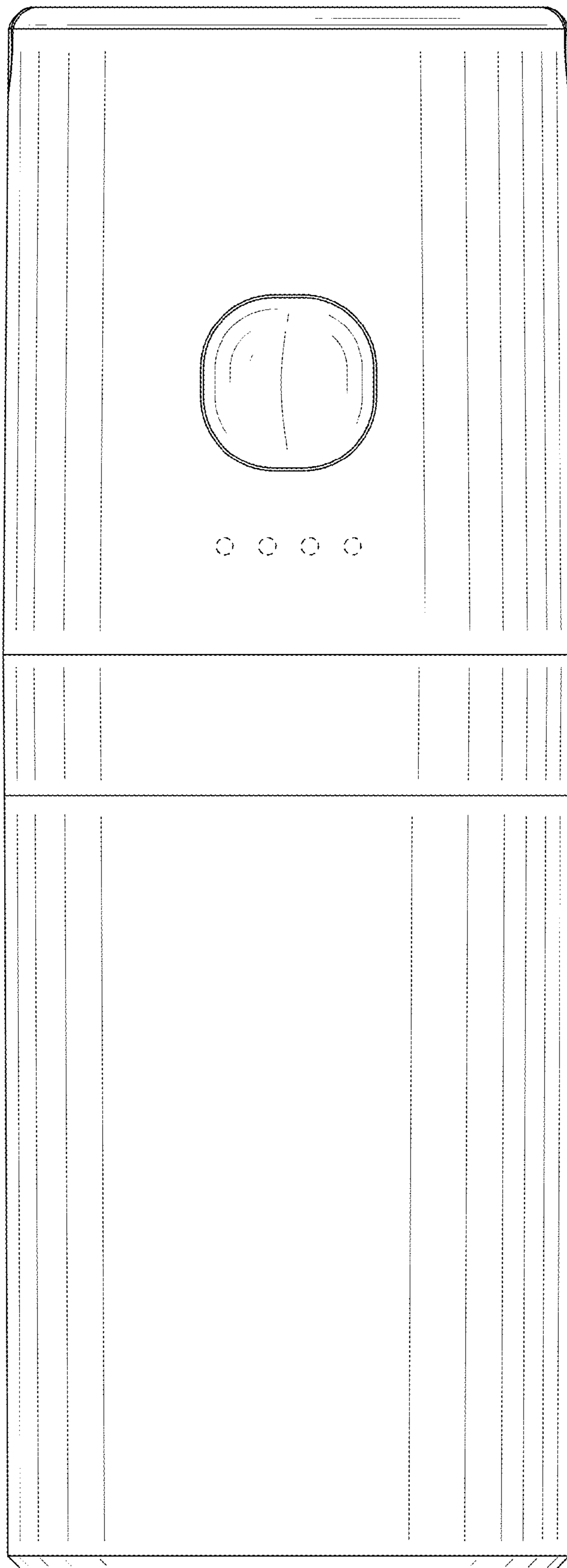


FIG. 3

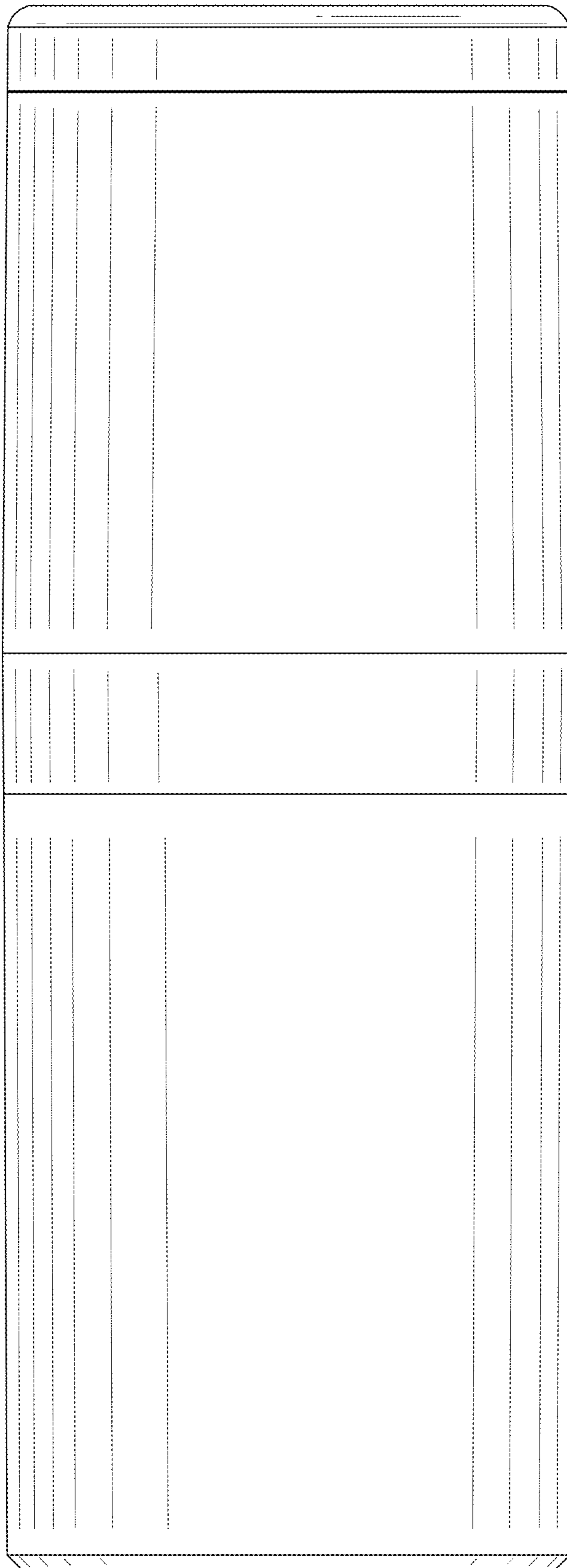


FIG. 4

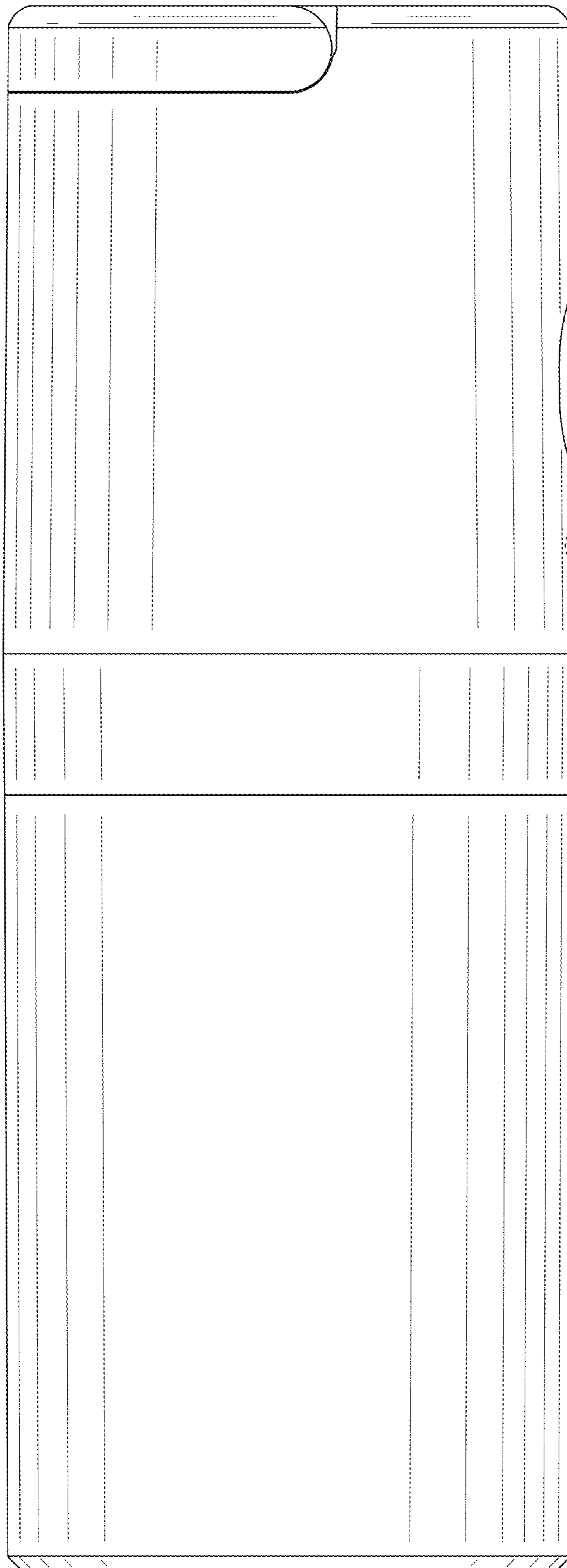


FIG. 5

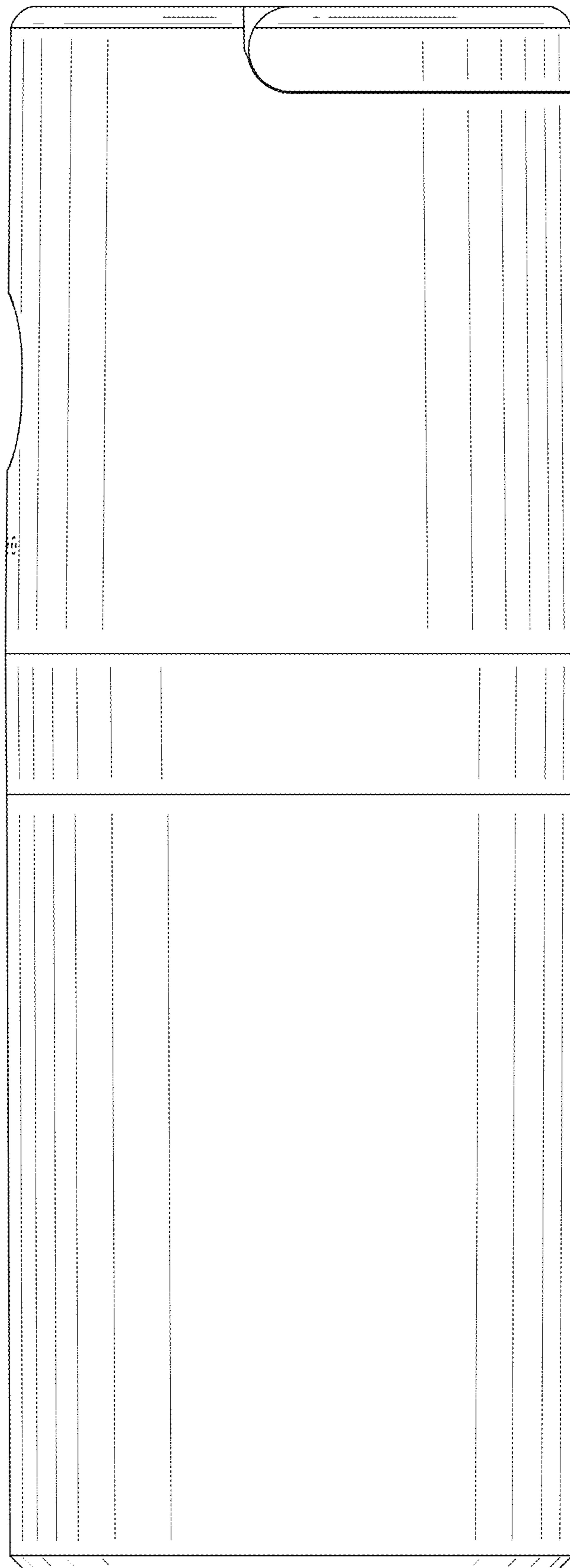


FIG. 6

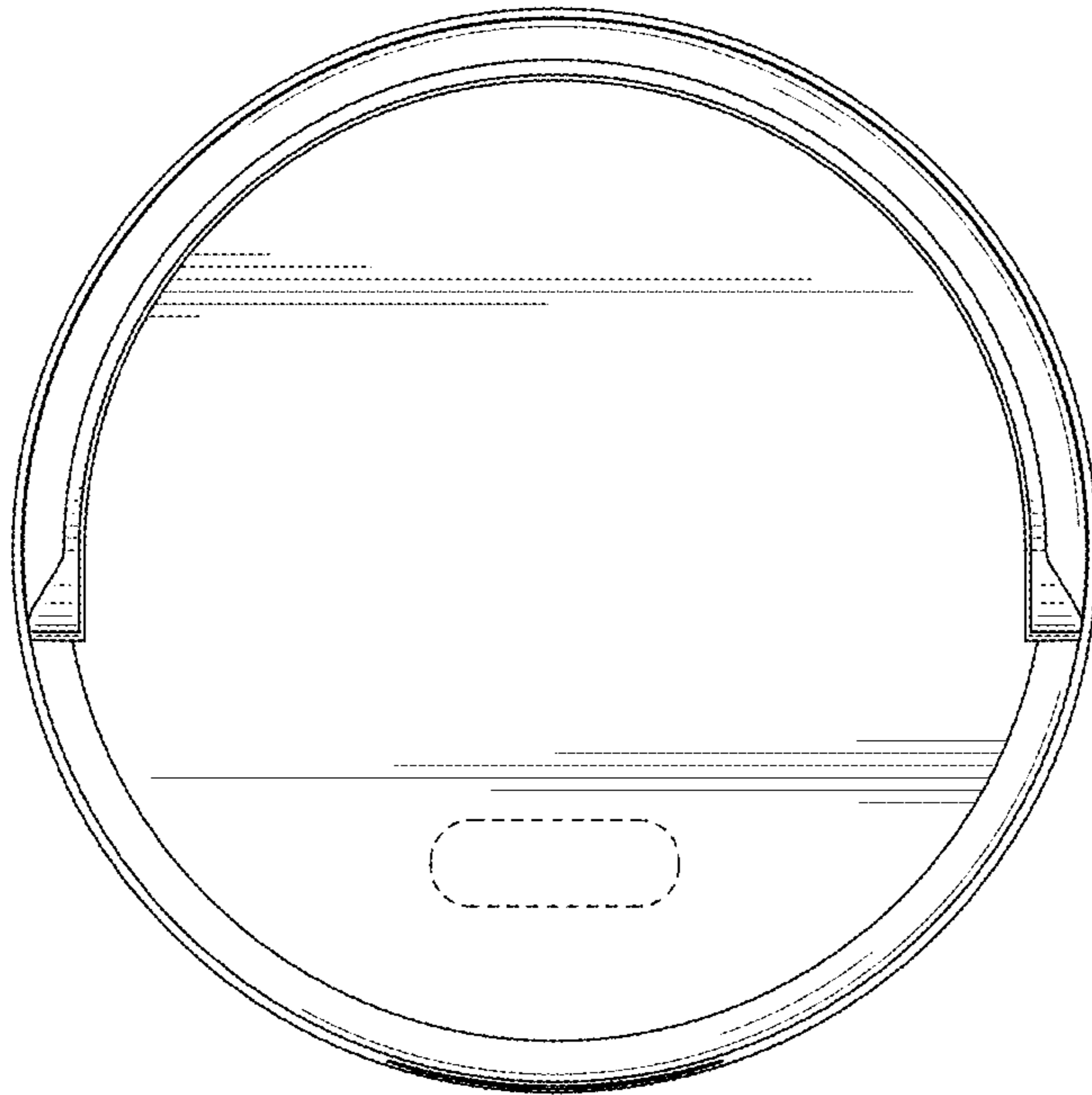


FIG. 7



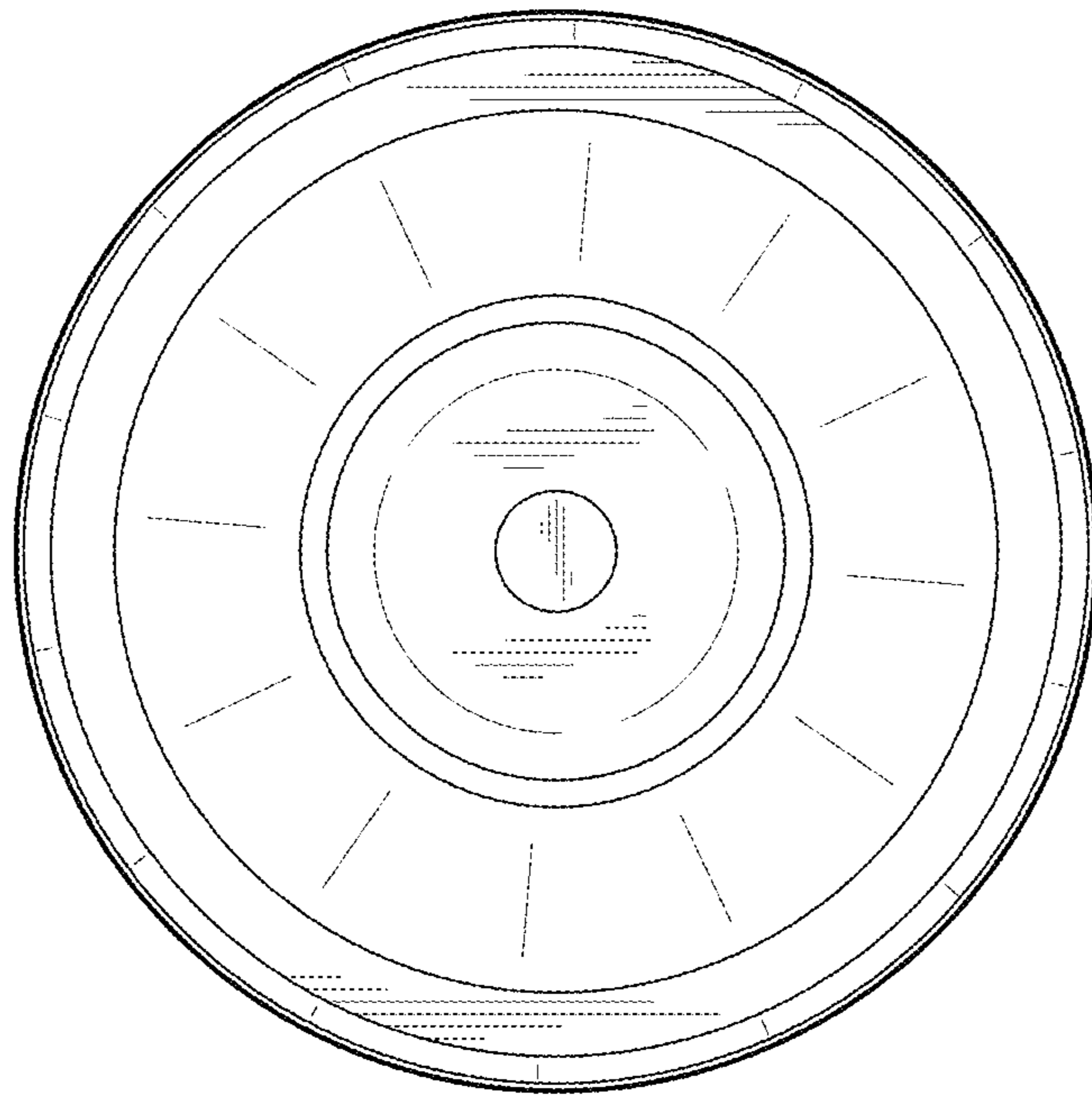


FIG. 8

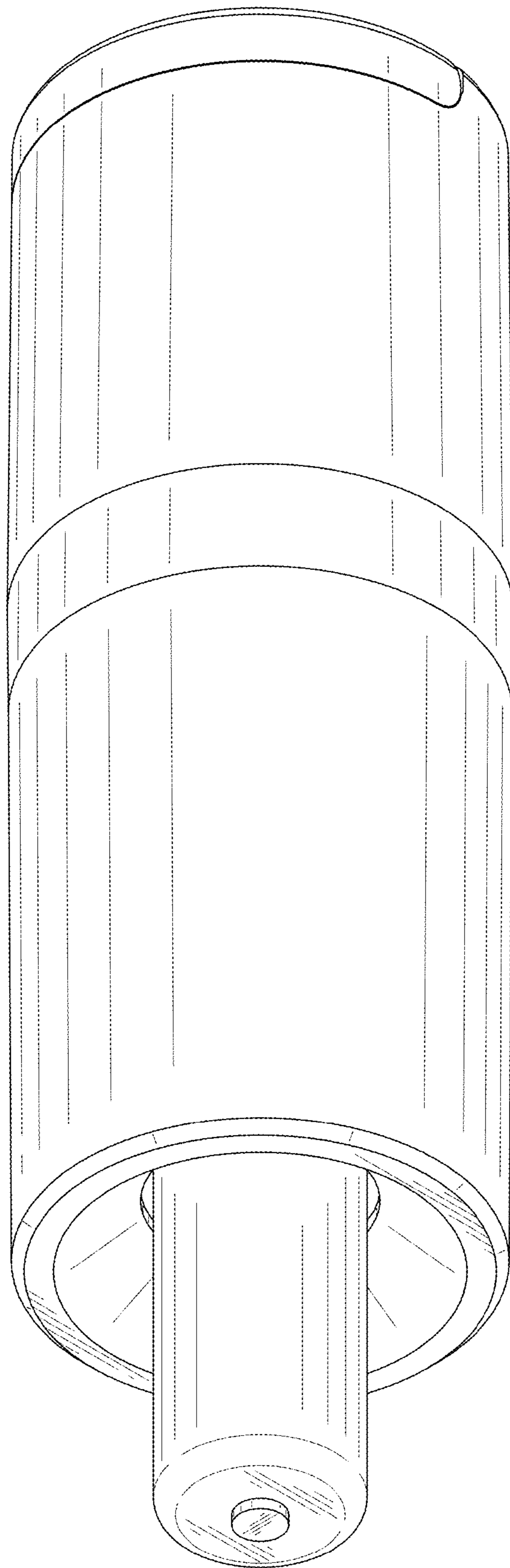


FIG. 9