



US00D957675S

(12) **United States Design Patent** (10) **Patent No.:** **US D957,675 S**
Ou Yang (45) **Date of Patent:** **** Jul. 12, 2022**

(54) **ULTRAVIOLET STERILIZATION LED RECESSED LAMP**

D653,744 S * 2/2012 Li D23/366
D847,365 S * 4/2019 Vellutato, Jr. G01N 33/497
D24/216
D857,273 S * 8/2019 Zou D26/80
D898,218 S * 10/2020 Hickey D24/217
D903,924 S * 12/2020 Mei D26/74
(Continued)

(71) Applicant: **SHENZHEN UVLED OPTICAL TECHNOLOGY CO., LTD.**, Shenzhen (CN)

(72) Inventor: **Chen Yi Ou Yang**, Hunan Province (CN)

FOREIGN PATENT DOCUMENTS

CN 306444616 * 4/2021

(73) Assignee: **SHENZHEN UVLED OPTICAL TECHNOLOGY CO., LTD.**, Shenzhen (CN)

OTHER PUBLICATIONS

UV Light Sanitizer for Room, posted at amazon.com, first available Feb. 27, 2021, retrieved Oct. 29, 2021, online, URL: <https://www.amazon.com/dp/B08VDW7ZSC?tag=michaelshop0a-20> (Year: 2021).*
(Continued)

(**) Term: **15 Years**

Primary Examiner — Mary Shannon Malley
(74) *Attorney, Agent, or Firm* — Li & Cai Intellectual Property (USA) Office

(21) Appl. No.: **29/746,533**

(22) Filed: **Aug. 14, 2020**

(30) **Foreign Application Priority Data**

Jul. 14, 2020 (CN) 202030381571.0

(51) **LOC (13) Cl.** **24-01**

(52) **U.S. Cl.**
USPC **D24/217**

(58) **Field of Classification Search**
USPC D24/209, 210, 216, 217, 218, 219, D24/231-232; D26/72-74; D32/1, 25; D23/366
CPC ... A61L 2/26; A61L 2/10; A61L 2/025; A61L 2202/11; A61L 2202/23; A61L 2202/122; A61L 2202/10
See application file for complete search history.

(57) **CLAIM**

The ornamental design for an ultraviolet sterilization LED recessed lamp, as shown and described.

DESCRIPTION

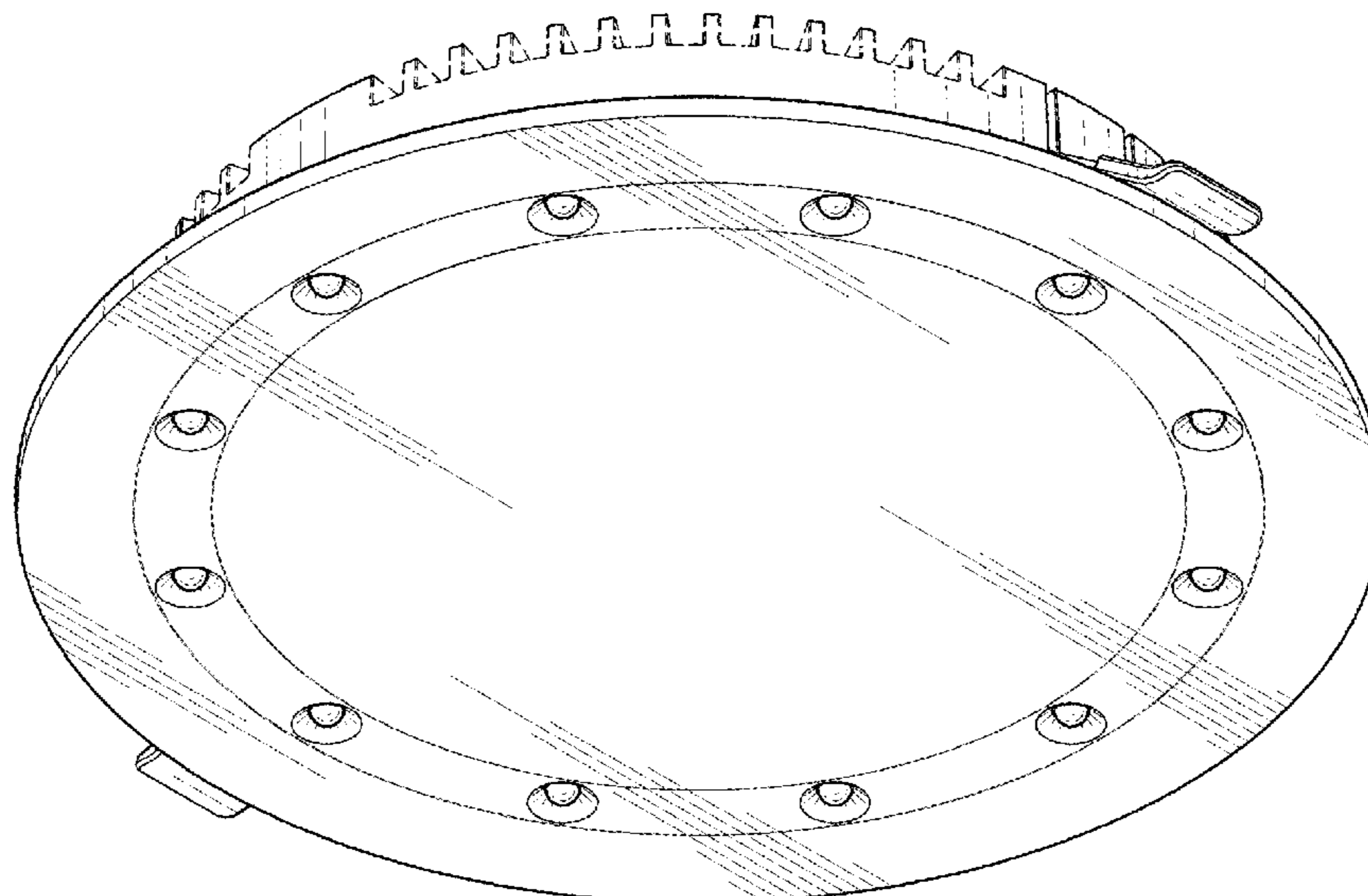
FIG. 1 is a front, right side and top perspective view of an ultraviolet sterilization LED recessed lamp showing the claimed design;
FIG. 2 is a front elevational view thereof;
FIG. 3 is a rear elevational view thereof;
FIG. 4 is a left side elevational view thereof;
FIG. 5 is a right side elevational view thereof;
FIG. 6 is a top plan view thereof; and,
FIG. 7 is a bottom plan view thereof.
The broken lines in the drawing depict portions of the ultraviolet sterilization LED recessed lamp that form no part of the claimed design.

(56) **References Cited**

U.S. PATENT DOCUMENTS

D365,882 S * 1/1996 Allegre D24/217
D441,089 S * 4/2001 Bhullar D10/81
D482,165 S * 11/2003 Kay D32/1
D601,444 S * 10/2009 Jones D10/103

1 Claim, 5 Drawing Sheets



(56)

References Cited

U.S. PATENT DOCUMENTS

D910,224 S * 2/2021 Feldman D26/74
D916,312 S * 4/2021 Zeder D24/217
2011/0183371 A1* 7/2011 Noda C12Q 1/008
435/39
2019/0167827 A1* 6/2019 Gaska A61L 2/24
2021/0030140 A1* 2/2021 Chico A45C 11/008

OTHER PUBLICATIONS

59S UV Light Sanitizer for Room, posted at youtube.com, posted Mar. 16, 2021, retrieved Oct. 29, 2021, online, URL: <https://www.youtube.com/watch?v=9S5b5MON9mY> (Year: 2021).*

SunClean™ Downlight 4", posted at sunclean.net, no posting date, retrieved Nov. 1, 2021, online, URL: <https://www.sunclean.net/collections/lighting-series/products/sunclean%E2%84%A2-downlight-4> (Year: 2021).*

* cited by examiner

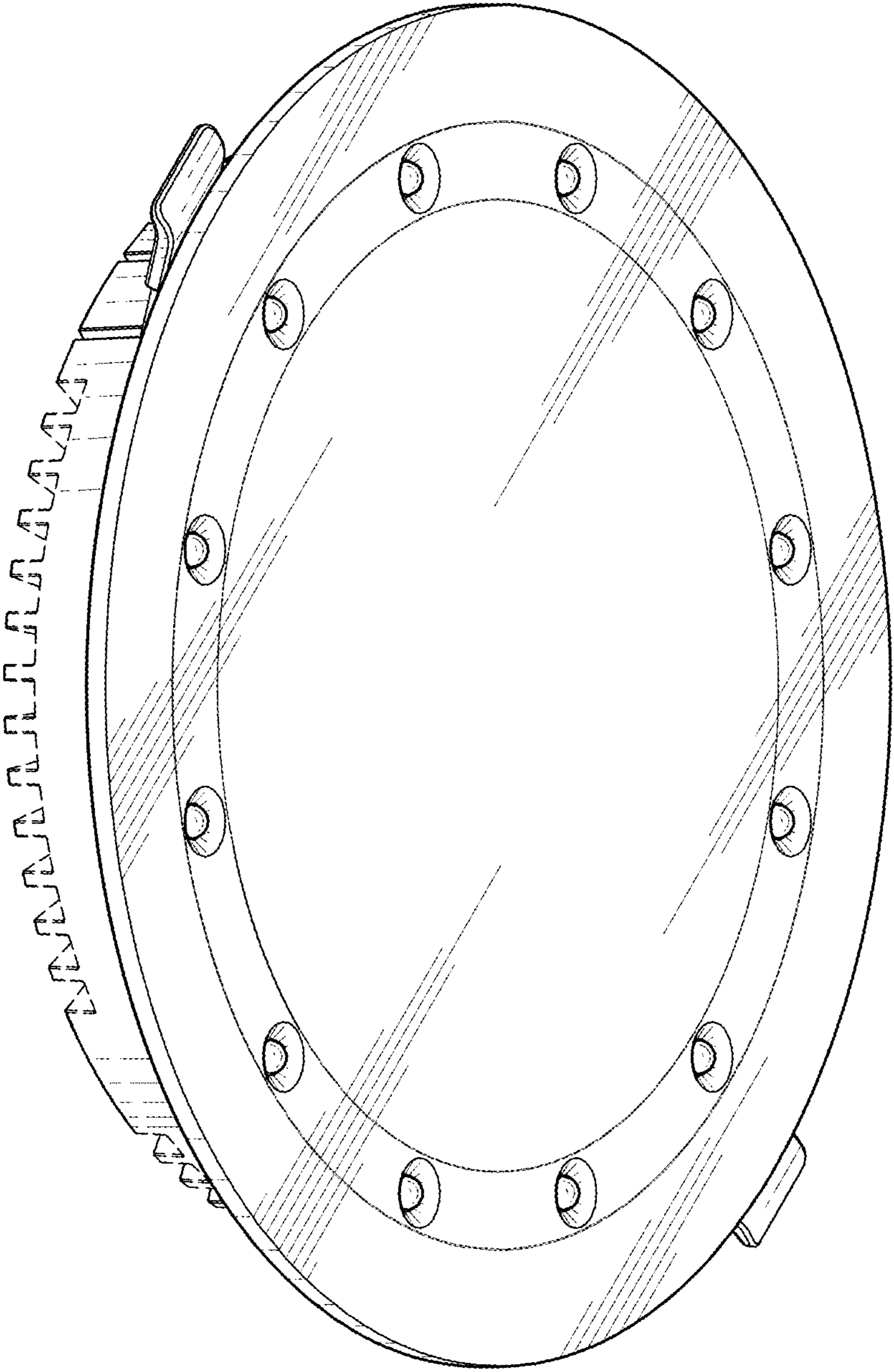


FIG. 1

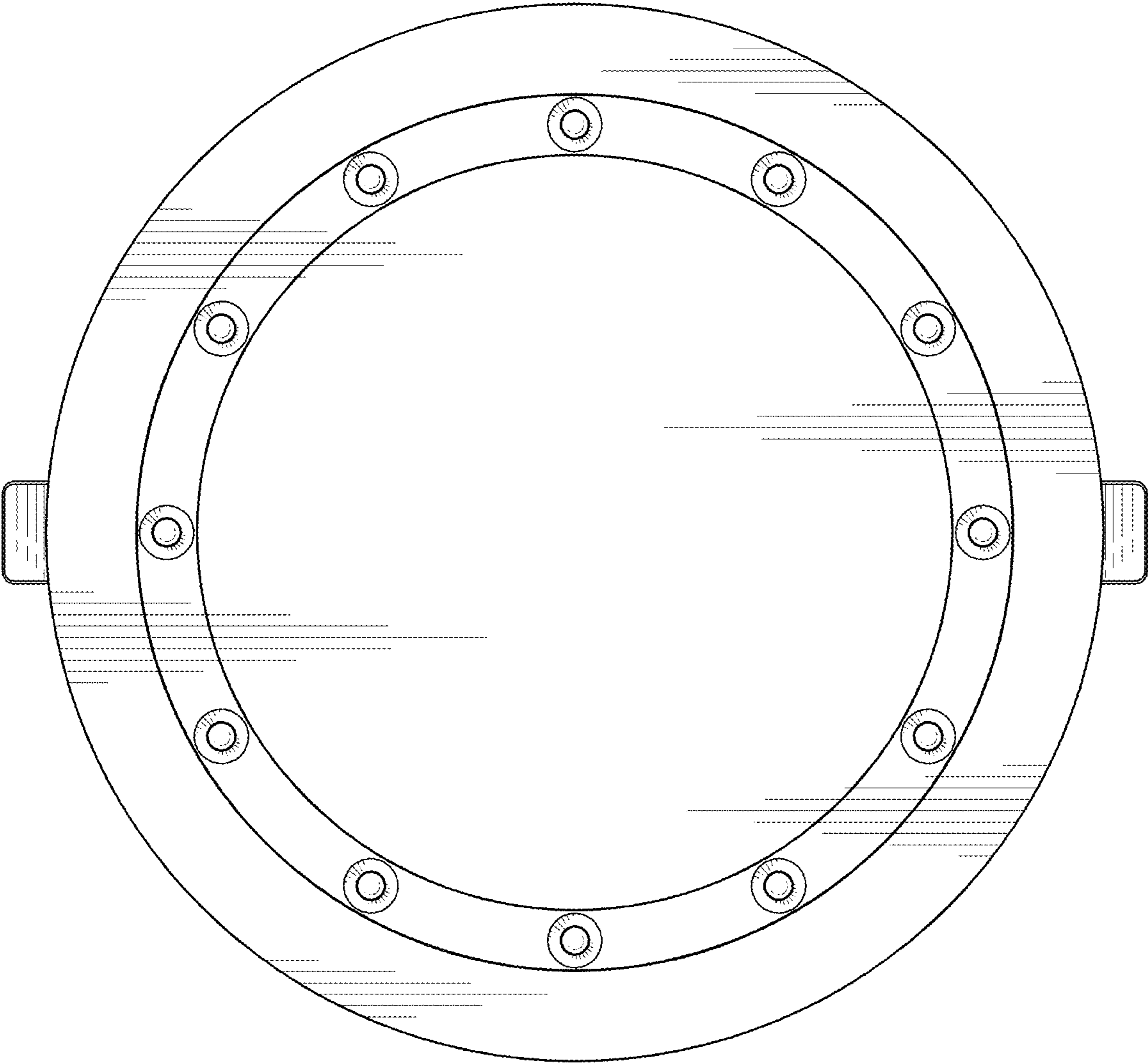


FIG. 2

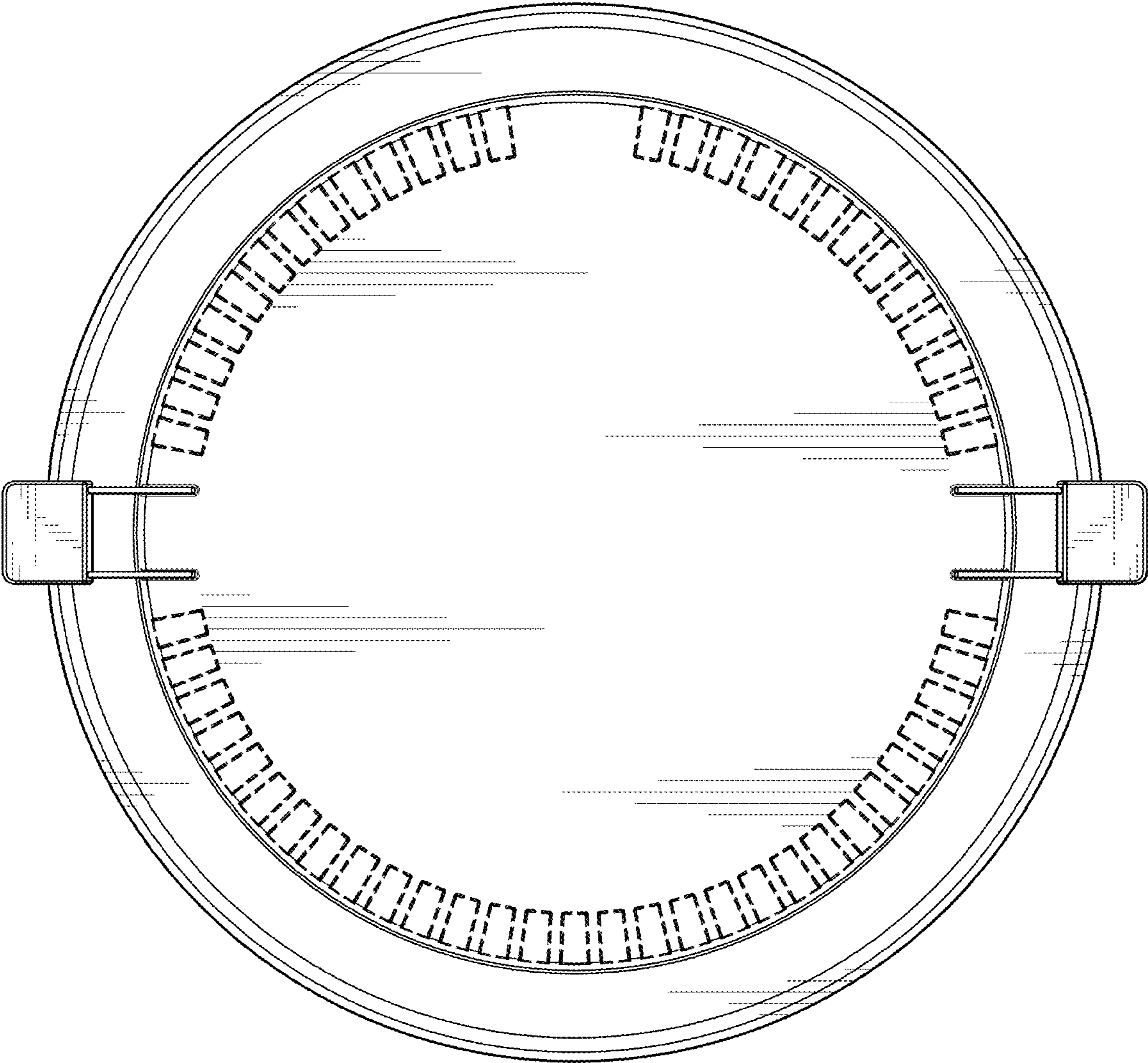


FIG. 3

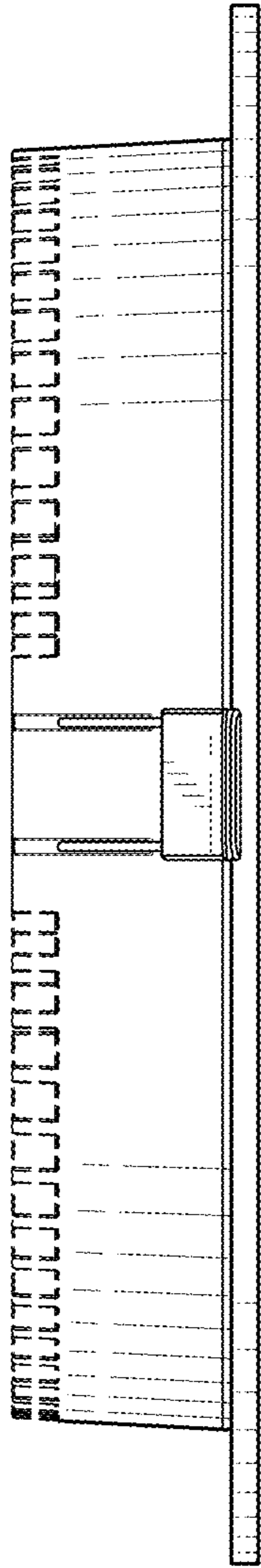


FIG. 4

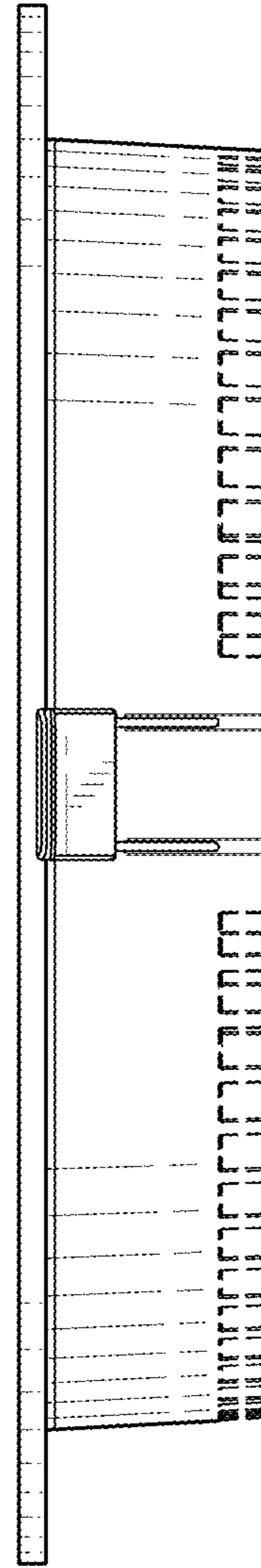


FIG. 5

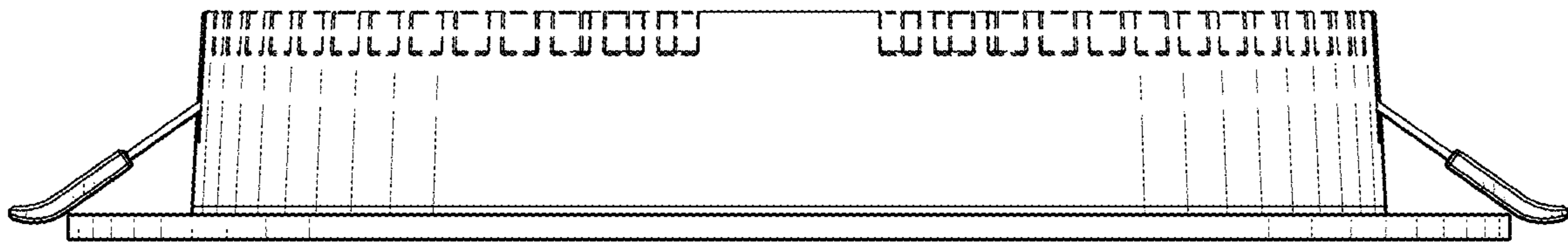


FIG. 6



FIG. 7