



US00D957673S

(12) **United States Design Patent**
Ou Yang

(10) **Patent No.:** **US D957,673 S**
(45) **Date of Patent:** **** Jul. 12, 2022**

(54) **PORTABLE ULTRAVIOLET SANITIZER**
(71) Applicant: **SHENZHEN UVLED OPTICAL TECHNOLOGY CO., LTD.**, Shenzhen (CN)
(72) Inventor: **Chen Yi Ou Yang**, Ningyuan County (CN)
(73) Assignee: **SHENZHEN UVLED OPTICAL TECHNOLOGY CO., LTD.**, Shenzhen (CN)

D510,141 S * 9/2005 Percival D10/78
D830,867 S * 10/2018 Abellon D10/81
D846,755 S * 4/2019 Nathwani D24/219
D847,365 S * 4/2019 Vellutato, Jr. G01N 33/497
D24/216
D850,646 S * 6/2019 Cassimy D24/217
D893,043 S * 8/2020 Ou Yang D24/217
D916,312 S * 4/2021 Zeder D24/217
D933,836 S * 10/2021 Deng D24/185
2004/0038422 A1 * 2/2004 Percival B01L 3/5025
436/164
2019/0167827 A1 * 6/2019 Gaska A61L 2/24
2021/0030140 A1 * 2/2021 Chico A45C 11/008

* cited by examiner

(**) Term: **15 Years**
(21) Appl. No.: **29/745,940**
(22) Filed: **Aug. 11, 2020**

Primary Examiner — Mary Shannon Malley
(74) *Attorney, Agent, or Firm* — Li & Cai Intellectual Property (USA) Office

(30) **Foreign Application Priority Data**
Jun. 24, 2020 (CN) 202030332398.5

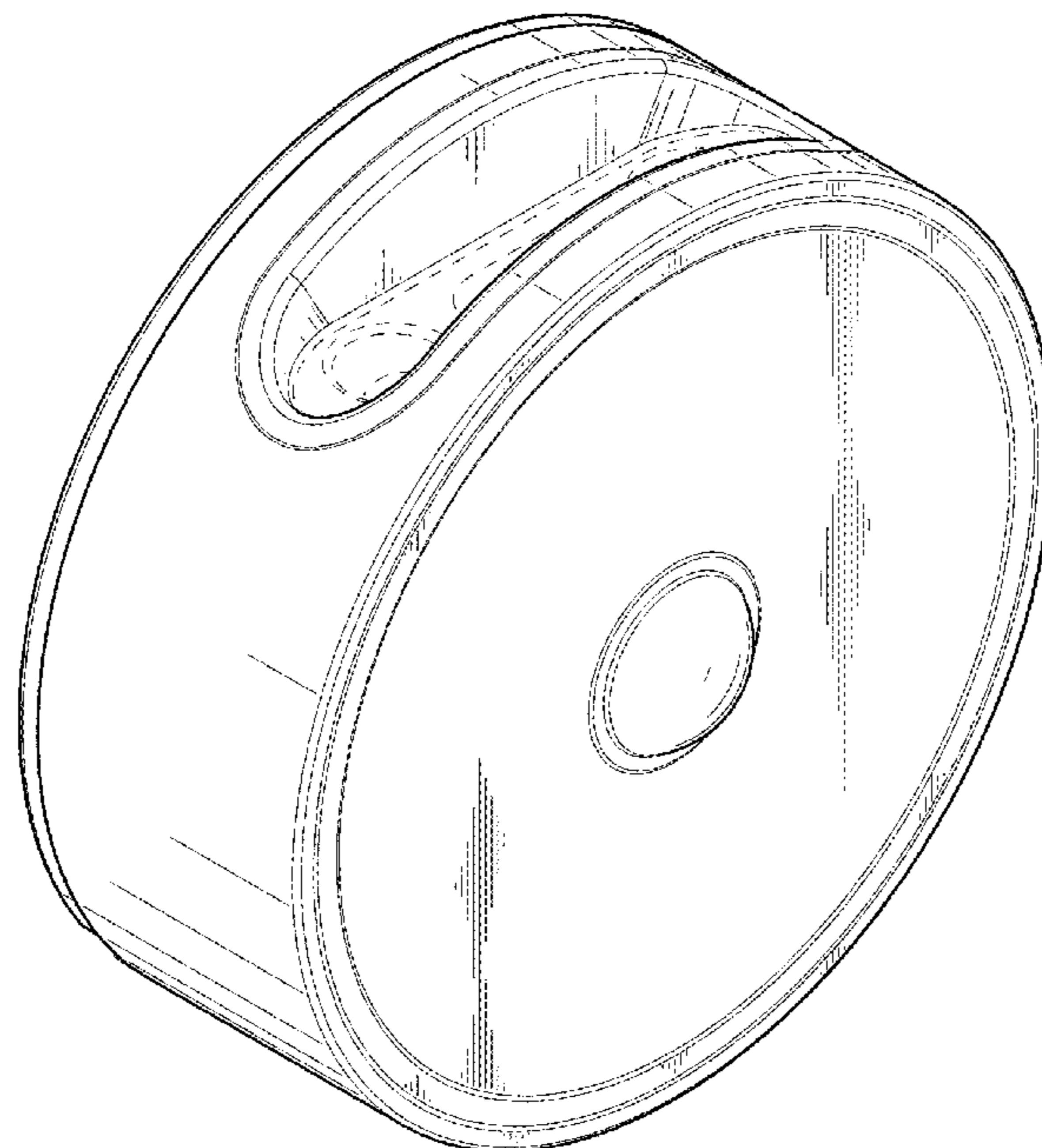
(57) **CLAIM**
The ornamental design for a portable ultraviolet sanitizer, as shown and described.

(51) **LOC (13) Cl.** **24-01**
(52) **U.S. Cl.**
USPC **D24/217**
(58) **Field of Classification Search**
USPC D24/209, 210, 216, 217, 218, 219,
D24/231–232; D26/72–74; D32/1, 25;
D23/366
CPC ... A61L 2/26; A61L 2/10; A61L 2/025; A61L
2202/11; A61L 2202/23; A61L 2202/122;
A61L 2202/10
See application file for complete search history.

DESCRIPTION
FIG. 1 is a front, left side and top perspective view of a portable ultraviolet sanitizer showing my new design; FIG. 2 is a front elevational view thereof; FIG. 3 is a rear elevational view thereof; FIG. 4 is a left side elevational view thereof; FIG. 5 is a right side elevational view thereof; FIG. 6 is a top plan view thereof; FIG. 7 is a bottom plan view thereof; and, FIG. 8 is a rear, right side and bottom perspective view thereof.
The broken lines in the drawing depict portions of the portable ultraviolet sanitizer that form no part of the claimed design.

(56) **References Cited**
U.S. PATENT DOCUMENTS
D365,882 S * 1/1996 Allegre D24/217
D482,165 S * 11/2003 Kay D32/1

1 Claim, 7 Drawing Sheets



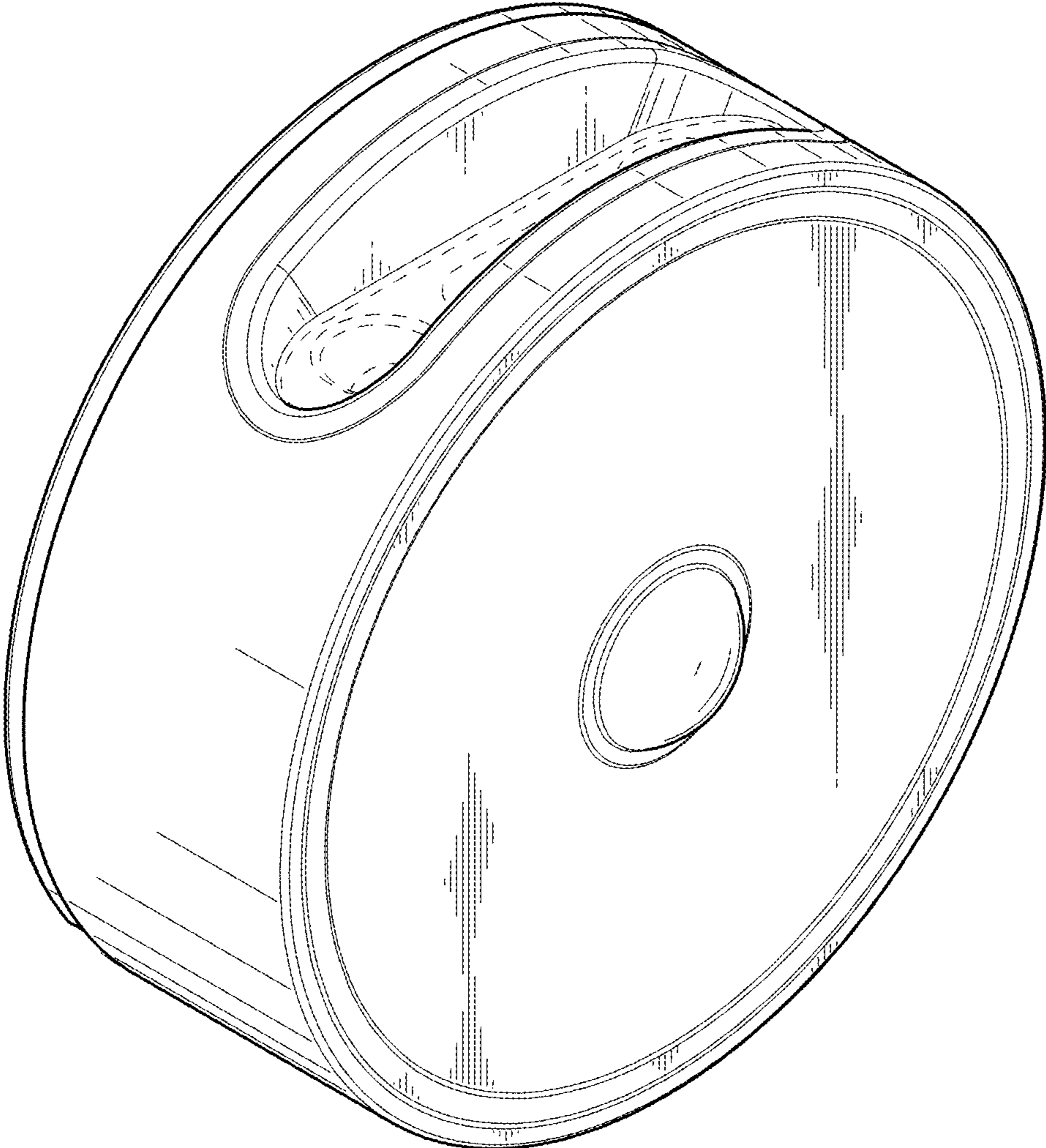


FIG. 1

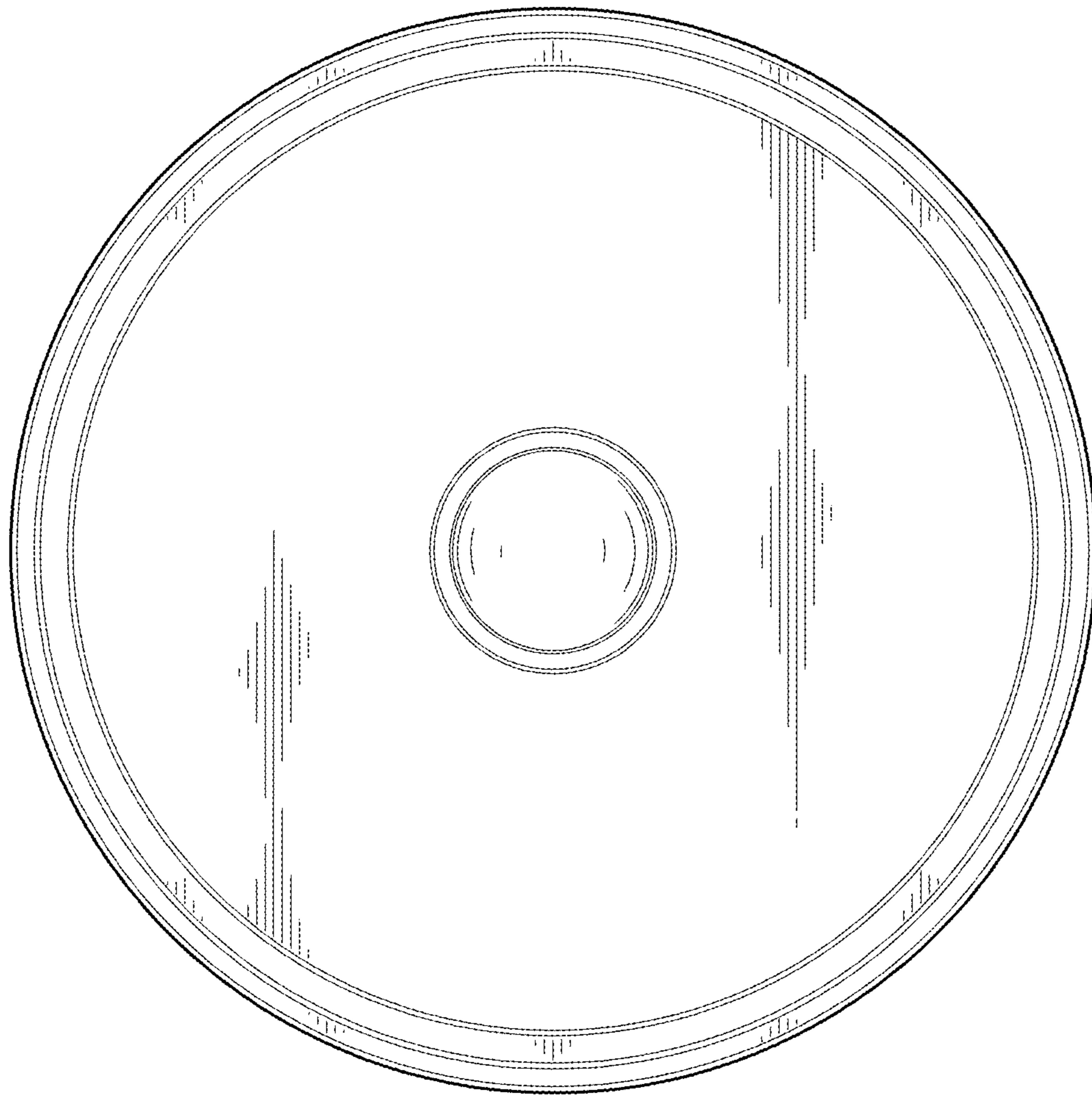


FIG. 2

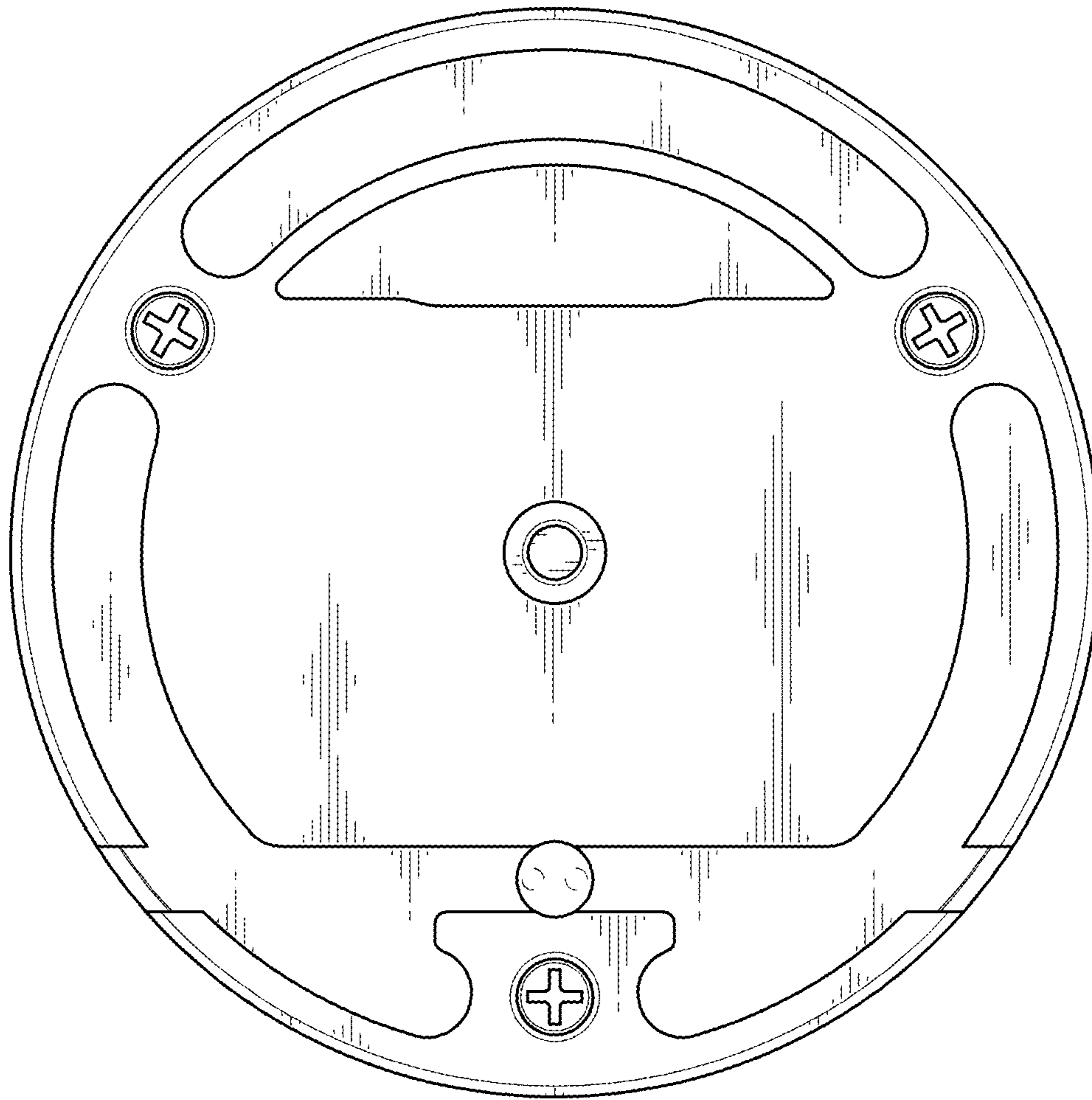


FIG. 3

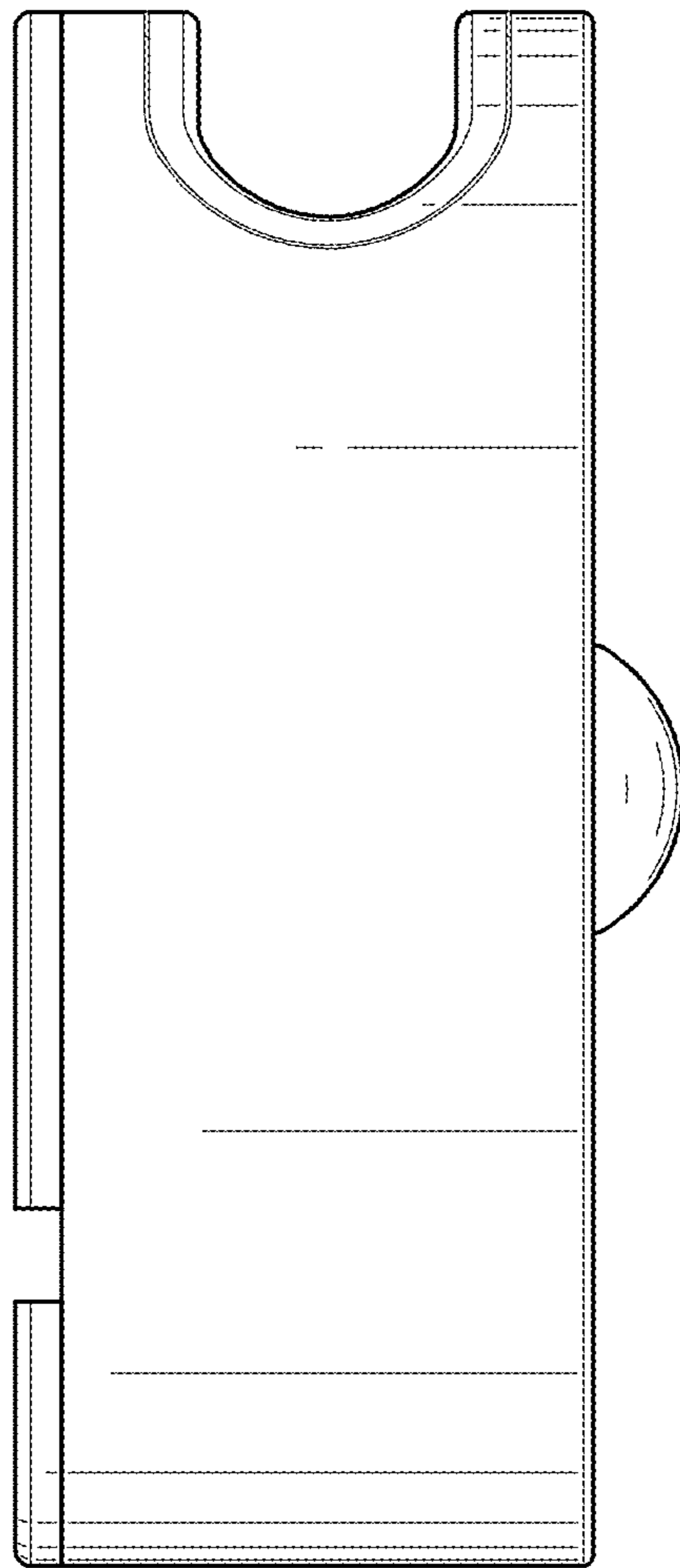


FIG. 4

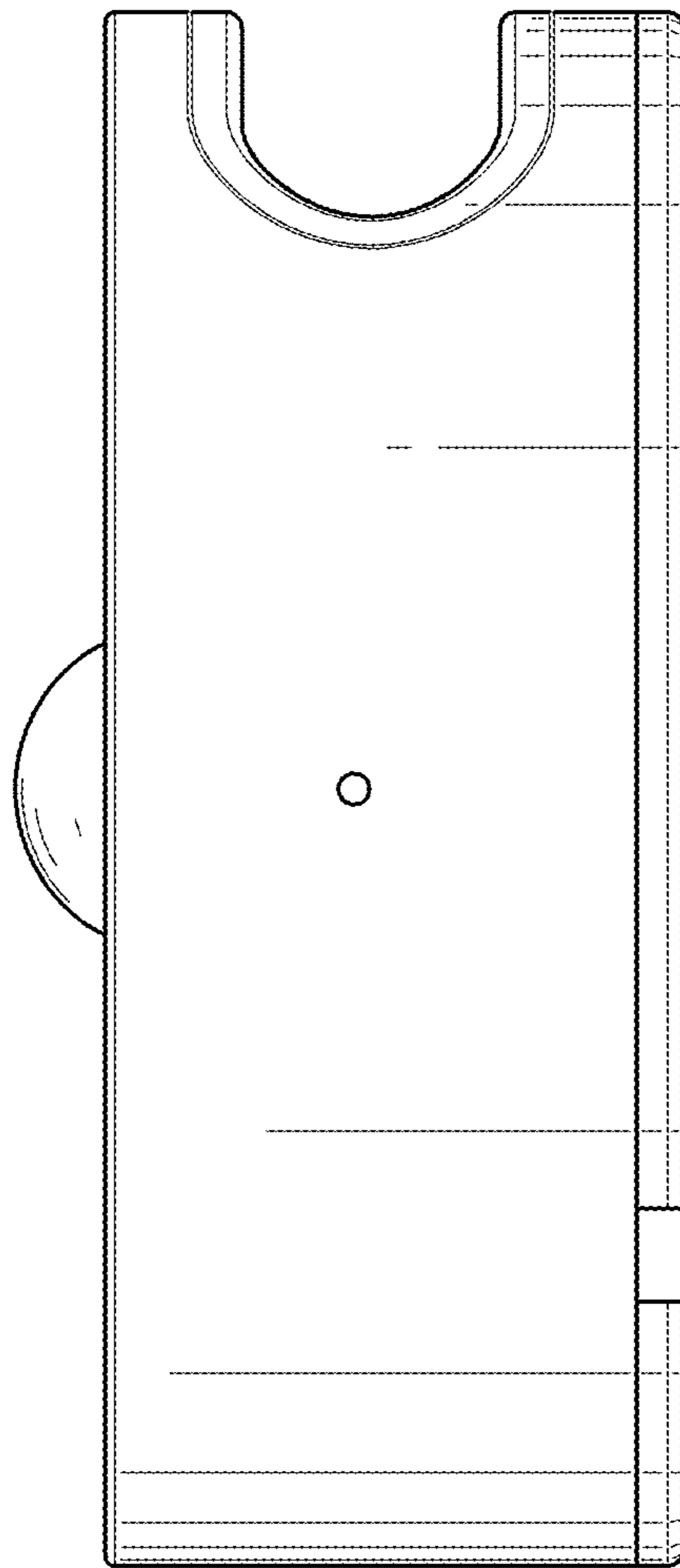


FIG. 5

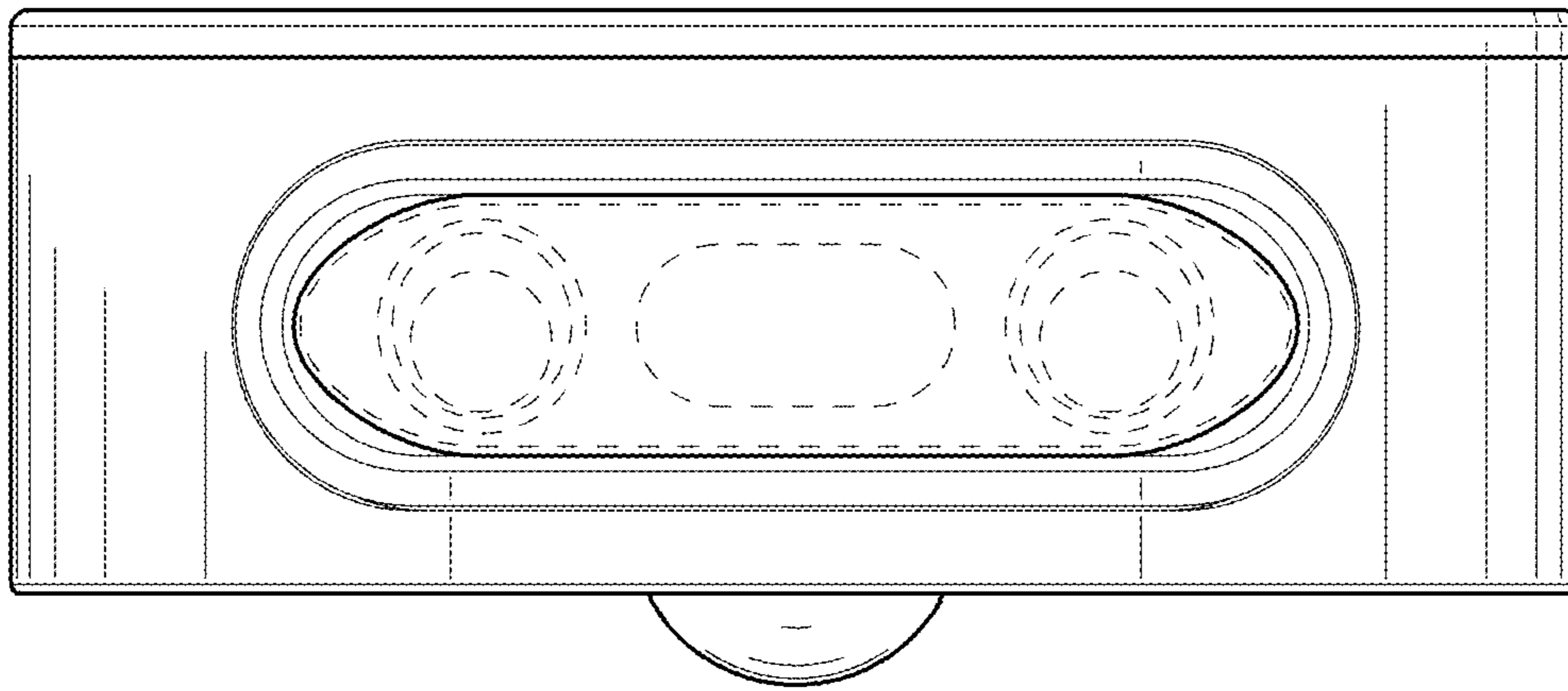


FIG. 6

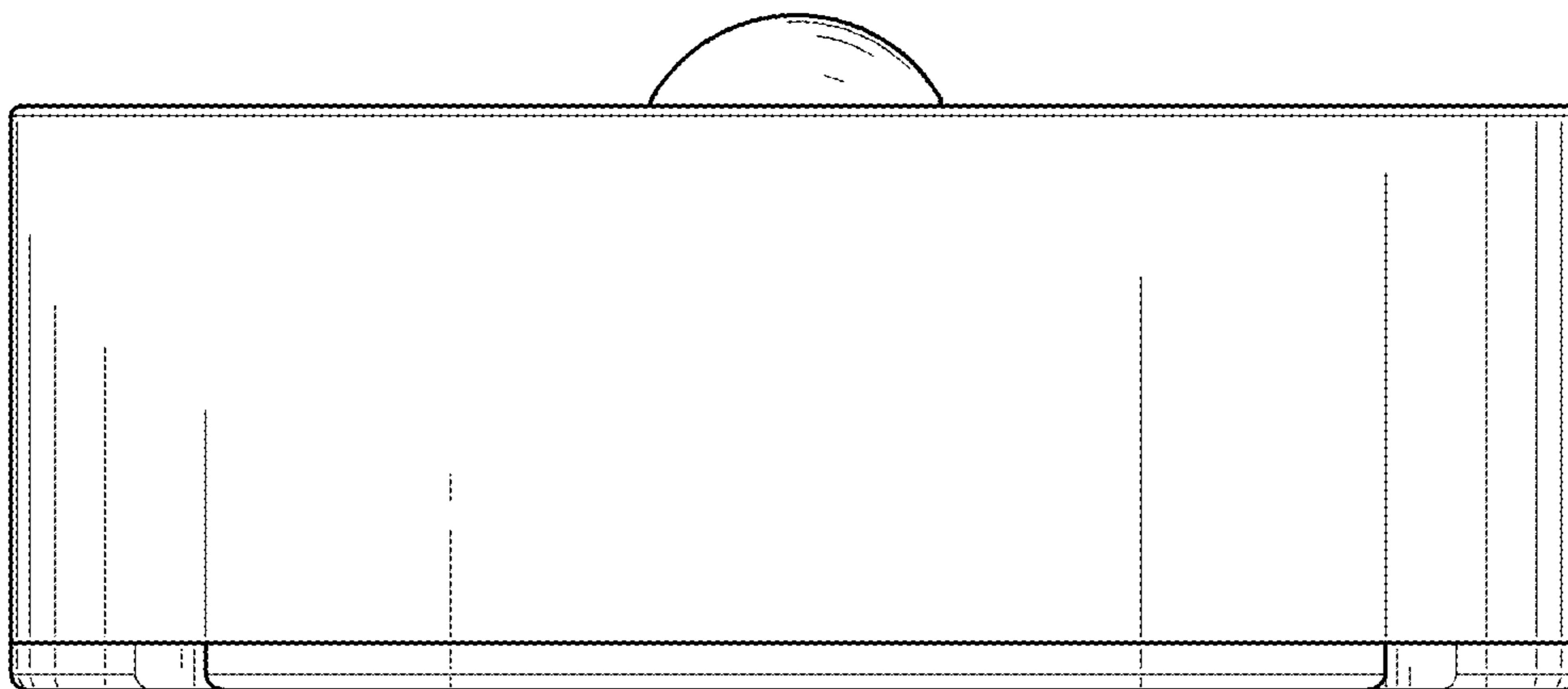


FIG. 7

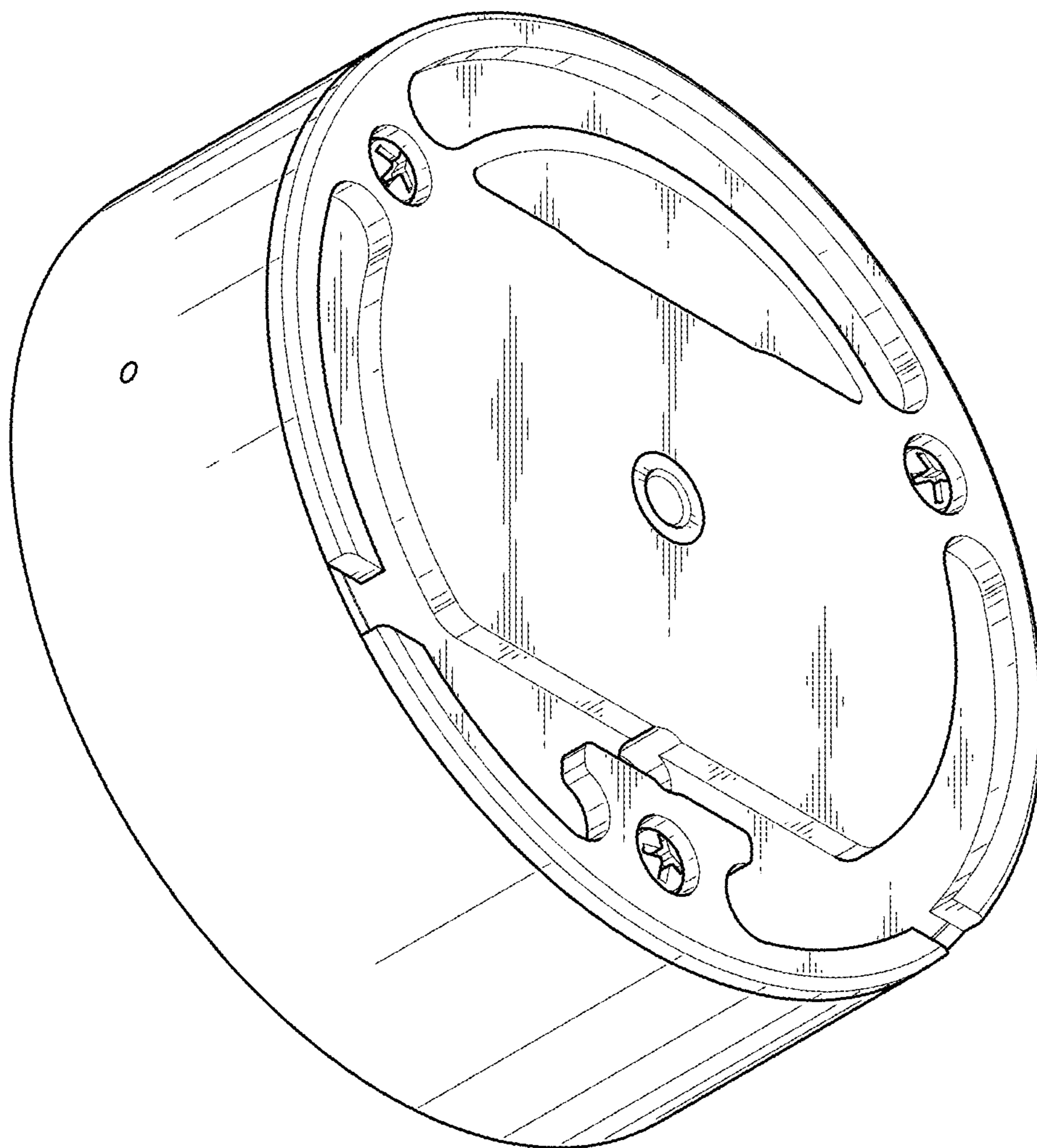


FIG. 8