



US00D957672S

(12) **United States Design Patent**  
**Yoon**

(10) **Patent No.:** **US D957,672 S**

(45) **Date of Patent:** **\*\* Jul. 12, 2022**

(54) **UV STERILIZER BOX**  
(71) Applicant: **NAMSUNG CORPORATION**, Seoul (KR)

D917,065 S \* 4/2021 Cui ..... D24/217  
D925,762 S \* 7/2021 LaPorte ..... D24/217  
D925,763 S \* 7/2021 LaPorte ..... D24/217  
D930,646 S \* 9/2021 Zhang ..... D14/348  
2020/0384139 A1\* 12/2020 Ahn ..... A61L 2/10

(72) Inventor: **Seong-Ho Yoon**, Seoul (KR)  
(73) Assignee: **NAMSUNG CORPORATION**, Seoul (KR)

**OTHER PUBLICATIONS**

Utilimedic UV8LED UV Light Sanitizer, first available Nov. 18, 2020, retrieved Dec. 2, 2021, online, URL: <https://www.amazon.com/utilimedic-UV8LED-Sanitizer-Eliminates-Immersion/dp/B08NTQV1SM> (Year: 2020).\*

(\*\*) Term: **15 Years**

\* cited by examiner

(21) Appl. No.: **29/745,730**

*Primary Examiner* — Mary Shannon Malley

(22) Filed: **Aug. 7, 2020**

(74) *Attorney, Agent, or Firm* — TraskBritt

(51) **LOC (13) Cl.** ..... **24-01**

(52) **U.S. Cl.**  
USPC ..... **D24/217**

(57) **CLAIM**

(58) **Field of Classification Search**  
USPC ..... D24/107, 186, 200, 209–213, 217–219,  
D24/224–232; D32/1, 25; D23/366  
CPC ... A61L 2/26; A61L 2/10; A61L 2/025; A61L  
2202/10; A61L 2202/11; A61L 2202/23;  
A61L 2202/122

The ornamental design for a UV sterilizer box, as shown and described.

See application file for complete search history.

**DESCRIPTION**

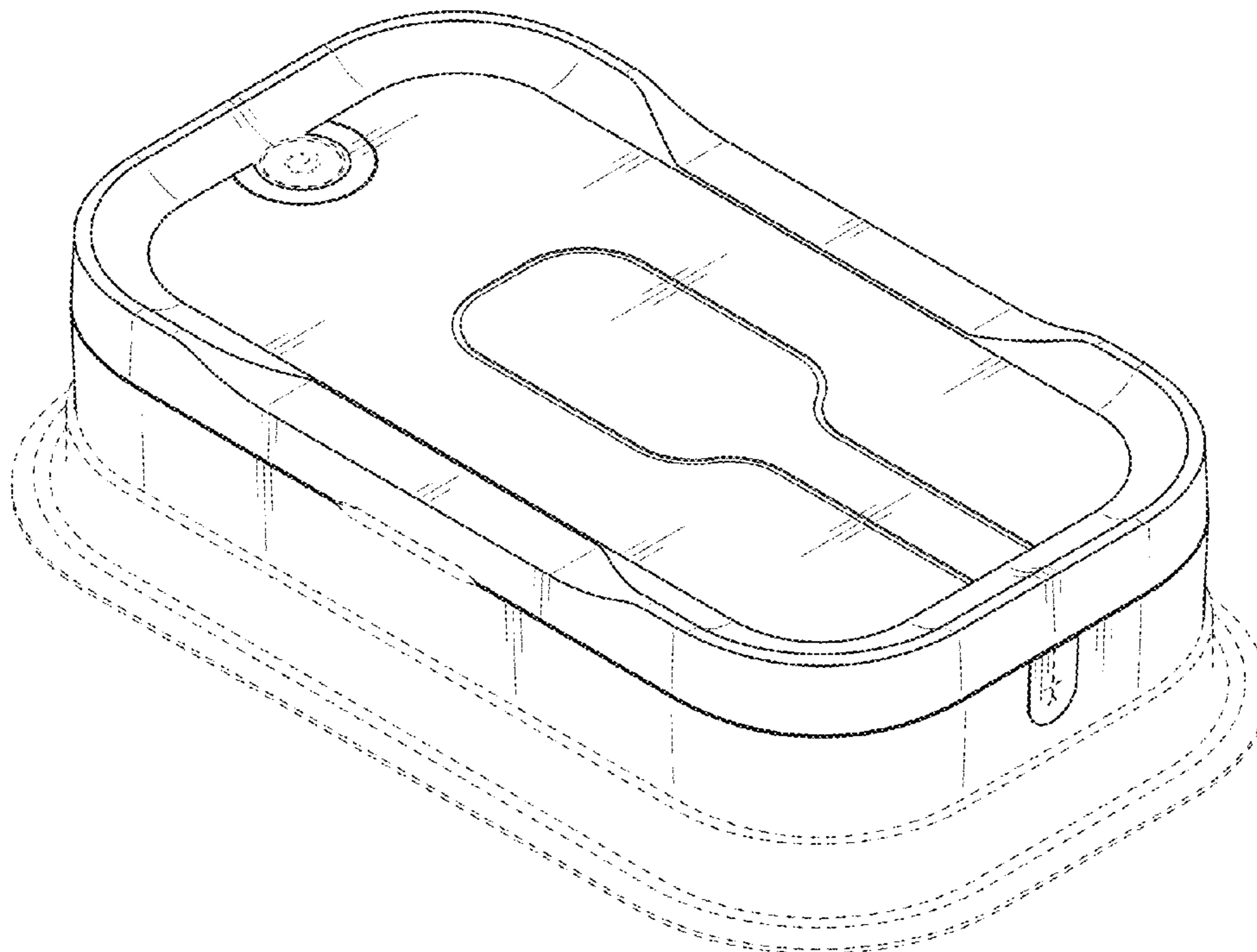
(56) **References Cited**

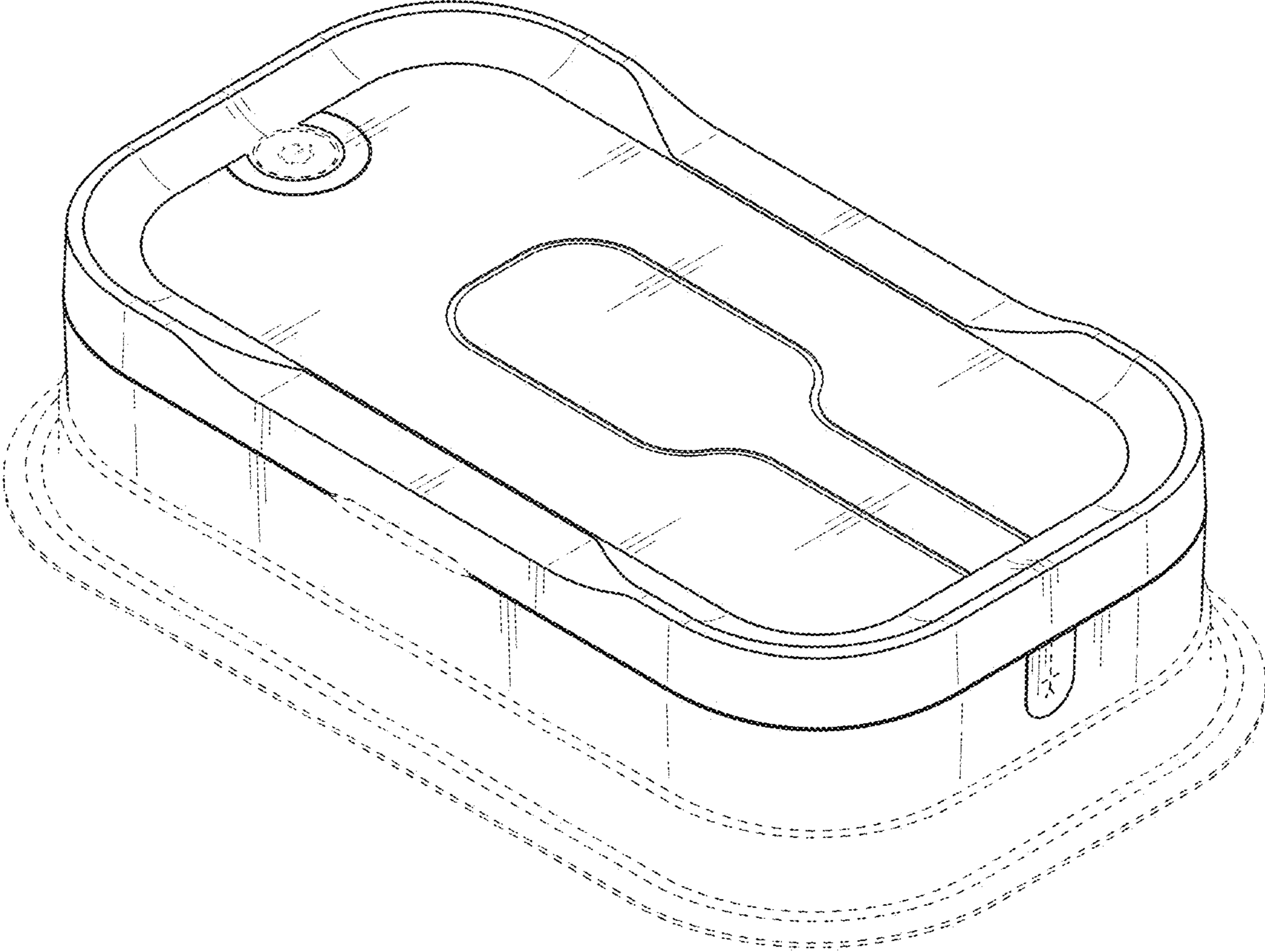
**U.S. PATENT DOCUMENTS**

D854,705 S \* 7/2019 Ouyang ..... D24/217  
D893,740 S \* 8/2020 Lv ..... D24/217  
D900,333 S \* 10/2020 Xie ..... D24/217  
D907,233 S \* 1/2021 Wu ..... D24/217  
D908,894 S \* 1/2021 Eslava ..... D24/186  
D912,005 S \* 3/2021 Zhang ..... D14/155  
D914,234 S \* 3/2021 Yi ..... D24/217

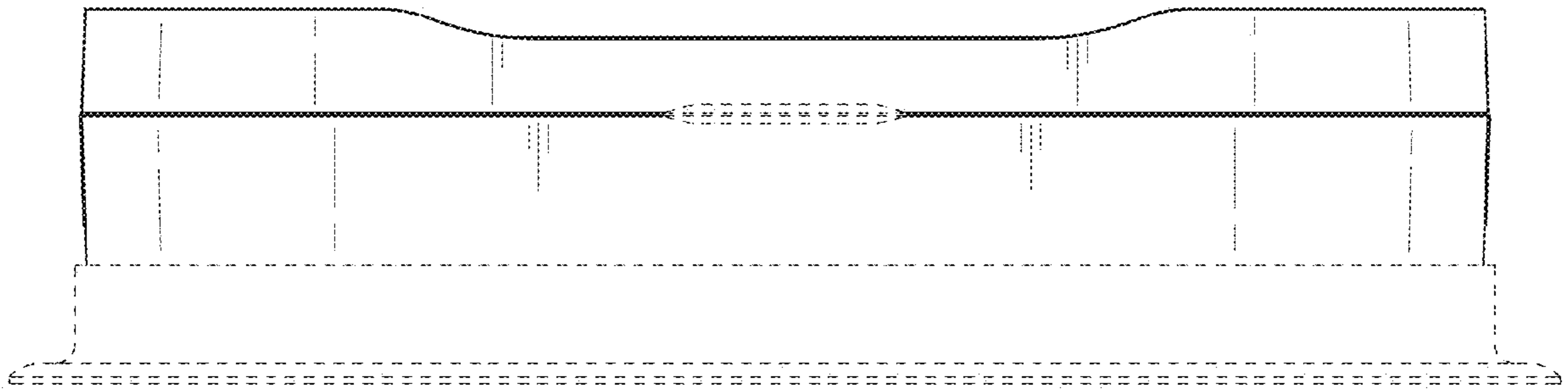
FIG. 1 is a front perspective view of a UV sterilizer box showing my new design;  
FIG. 2 is a front view thereof;  
FIG. 3 is a rear view thereof;  
FIG. 4 is a left-side view thereof;  
FIG. 5 is a right-side view thereof;  
FIG. 6 is a top view thereof;  
FIG. 7 is a bottom view thereof; and,  
FIG. 8 is a rear perspective view thereof.  
The broken lines in the figures depict portions of the UV sterilizer box that form no part of the claimed design.

**1 Claim, 8 Drawing Sheets**

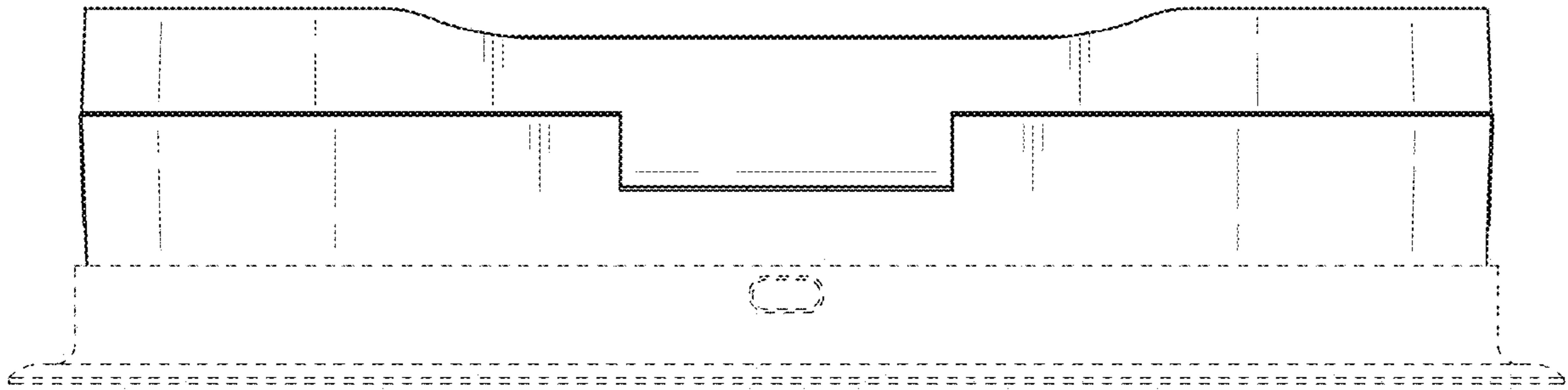




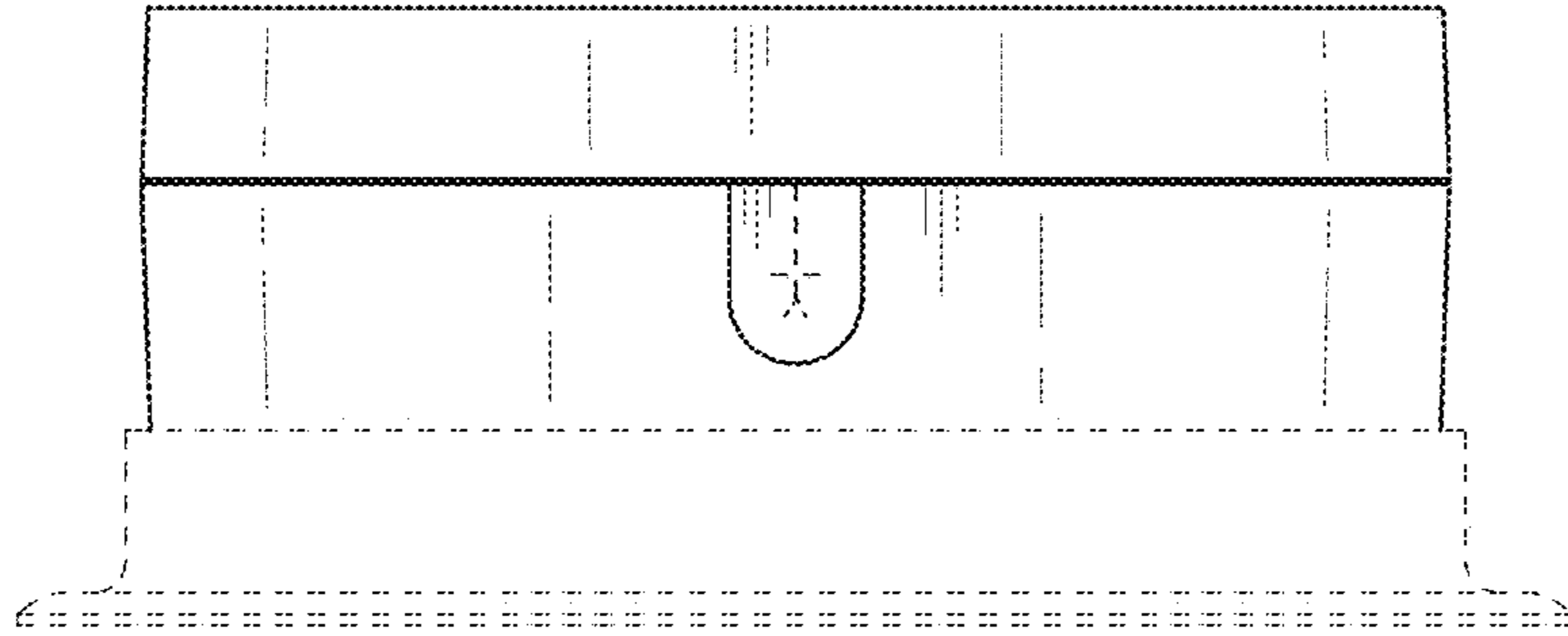
**FIG. 1**



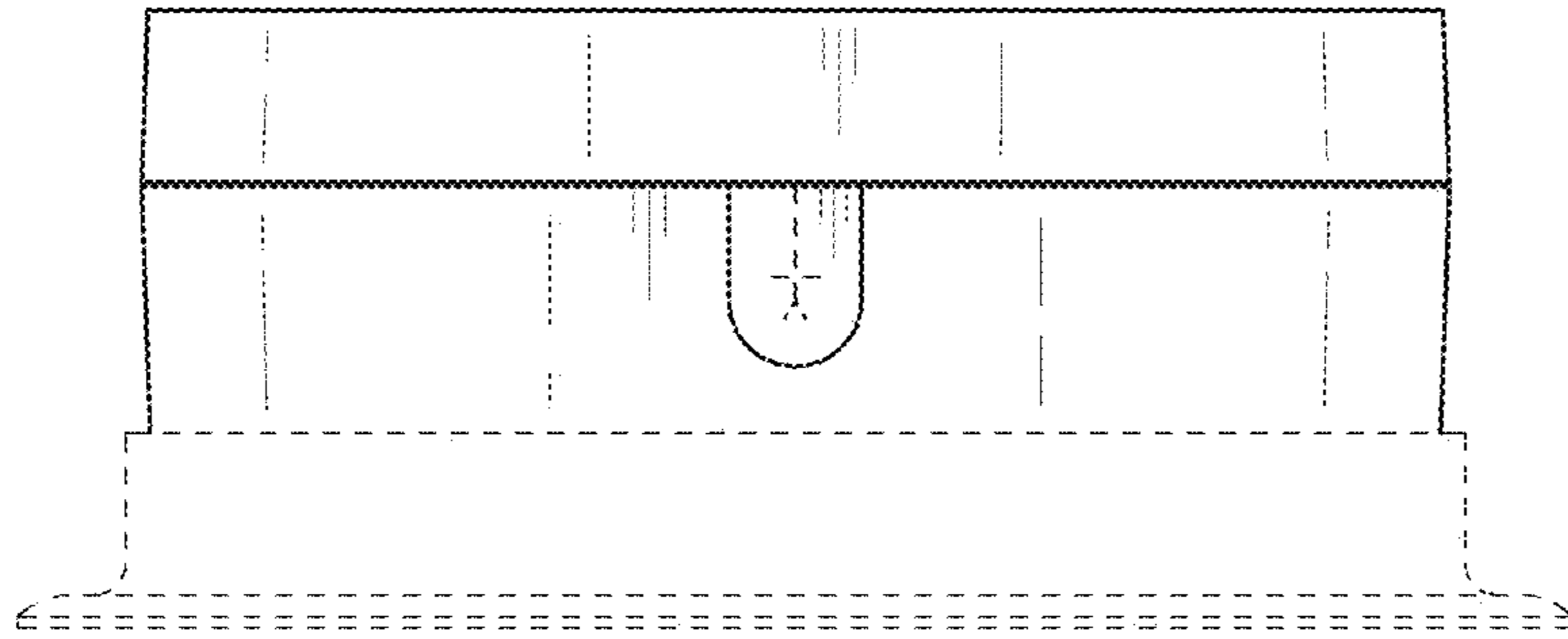
**FIG. 2**



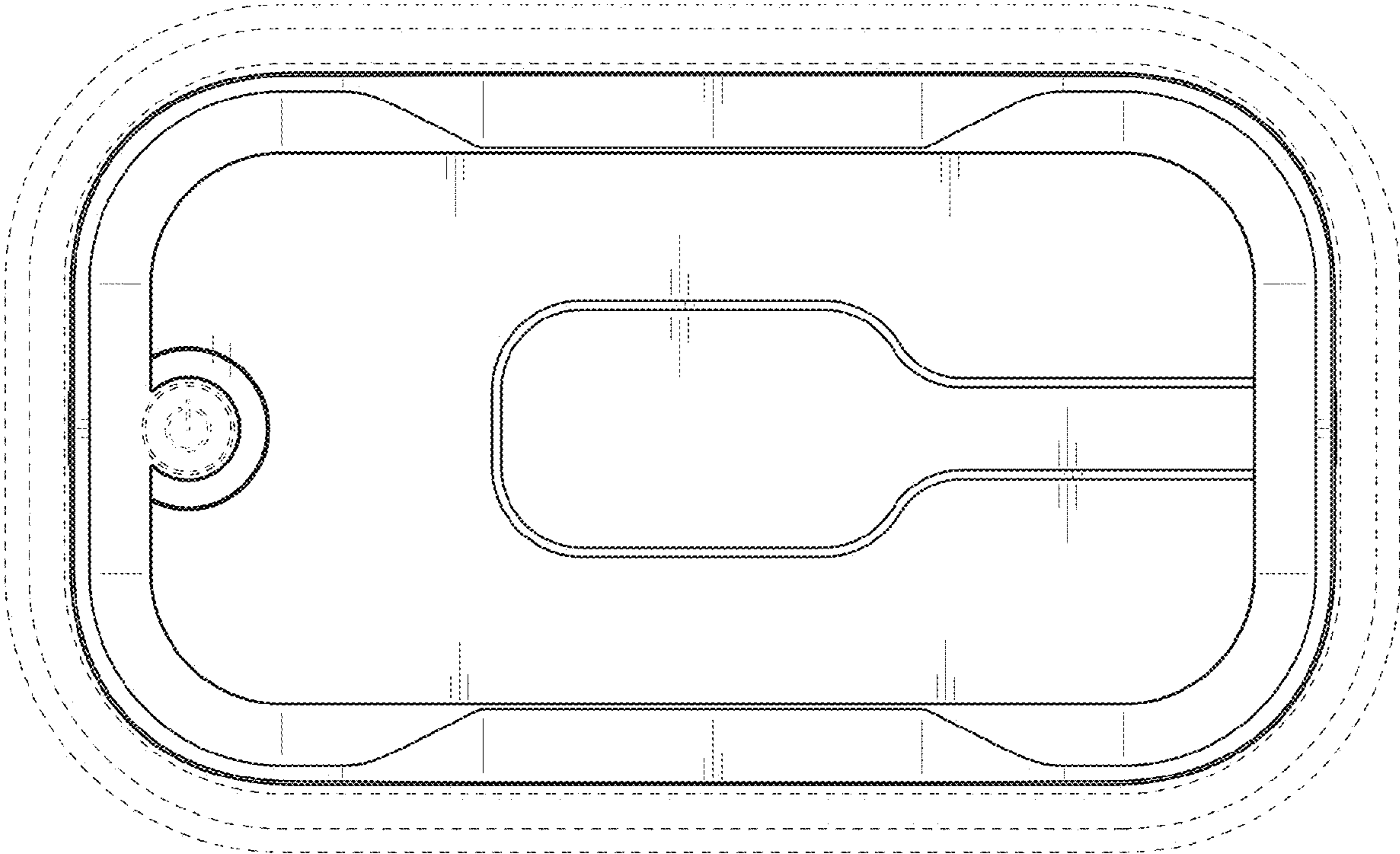
**FIG. 3**



**FIG. 4**



**FIG. 5**

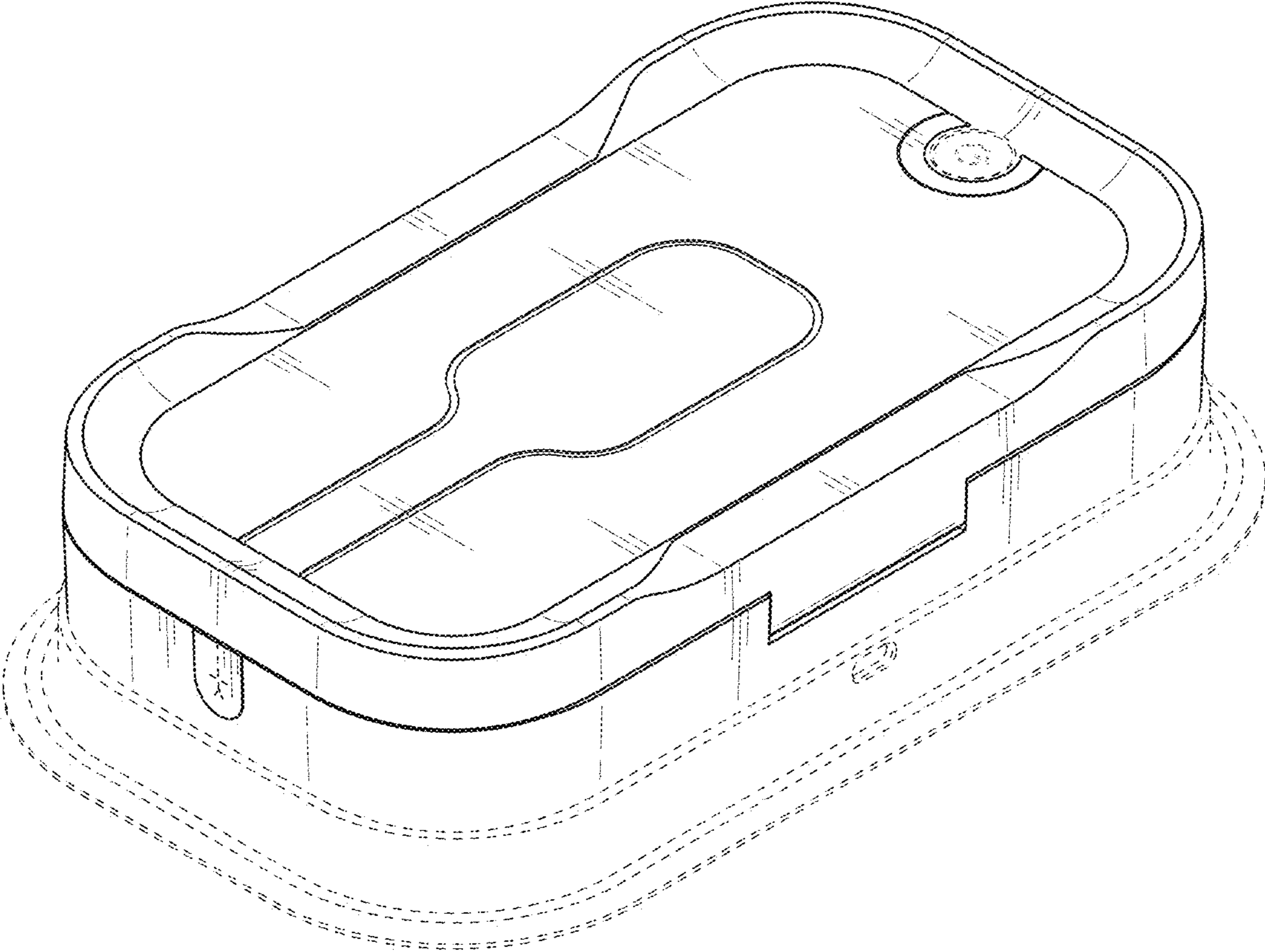


**FIG. 6**



***FIG. 7***





**FIG. 8**