



US00D957670S

(12) **United States Design Patent** (10) **Patent No.:** **US D957,670 S**  
**Sze** (45) **Date of Patent:** **\*\* Jul. 12, 2022**

(54) **STERILIZATION CONTAINER**

FOREIGN PATENT DOCUMENTS

(71) Applicant: **Ka Chuen Sze**, Hong Kong (HK)

CN 306080657 \* 9/2020

(72) Inventor: **Ka Chuen Sze**, Hong Kong (HK)

*Primary Examiner* — Lilyana Bekic

(73) Assignee: **Tung Hing Plastic Manufactory Limited**, Hong Kong (HK)

*Assistant Examiner* — Mary Shannon Malley

(74) *Attorney, Agent, or Firm* — Melvin Li

(\*\*) Term: **15 Years**

(57) **CLAIM**

The ornamental design for a sterilization container, as shown and described.

(21) Appl. No.: **29/738,701**

**DESCRIPTION**

(22) Filed: **Jun. 19, 2020**

(51) **LOC (13) Cl.** ..... **24-01**

(52) **U.S. Cl.**  
USPC ..... **D24/217**

(58) **Field of Classification Search**  
USPC ..... D24/107, 186, 200, 209–213, 217–219,  
D24/224–232; D32/1, 25; D23/366  
CPC ... A61L 2/26; A61L 2/10; A61L 2/025; A61L  
2202/11; A61L 2202/23; A61L 2202/122;  
A61L 2202/10  
See application file for complete search history.

FIG. 1 is a perspective view of a new design showing a sterilization container according to the present invention; FIG. 2 is a top view of the sterilization container of FIG. 1; FIG. 3 is a front view of the sterilization container of FIG. 1; FIG. 4 is a rear view of the sterilization container of FIG. 1; FIG. 5 is a bottom view of the sterilization container of FIG. 1; FIG. 6 is a left side view of the sterilization container of FIG. 1; FIG. 7 is a right side view of the sterilization container of FIG. 1; FIG. 8 is another perspective view of the sterilization container of FIG. 1, but showing the sterilization container in a different configuration with a tray portion of the sterilization container removed from a body portion of the sterilization container; FIG. 9 is a top view of the sterilization container of FIG. 8; FIG. 10 is a bottom view of the sterilization container of FIG. 8; FIG. 11 is a left side view of the sterilization container of FIG. 8; and, FIG. 12 is a right side view of the sterilization container of FIG. 8. The broken lines illustrate portions of the sterilization container that do not form part of the claimed design.

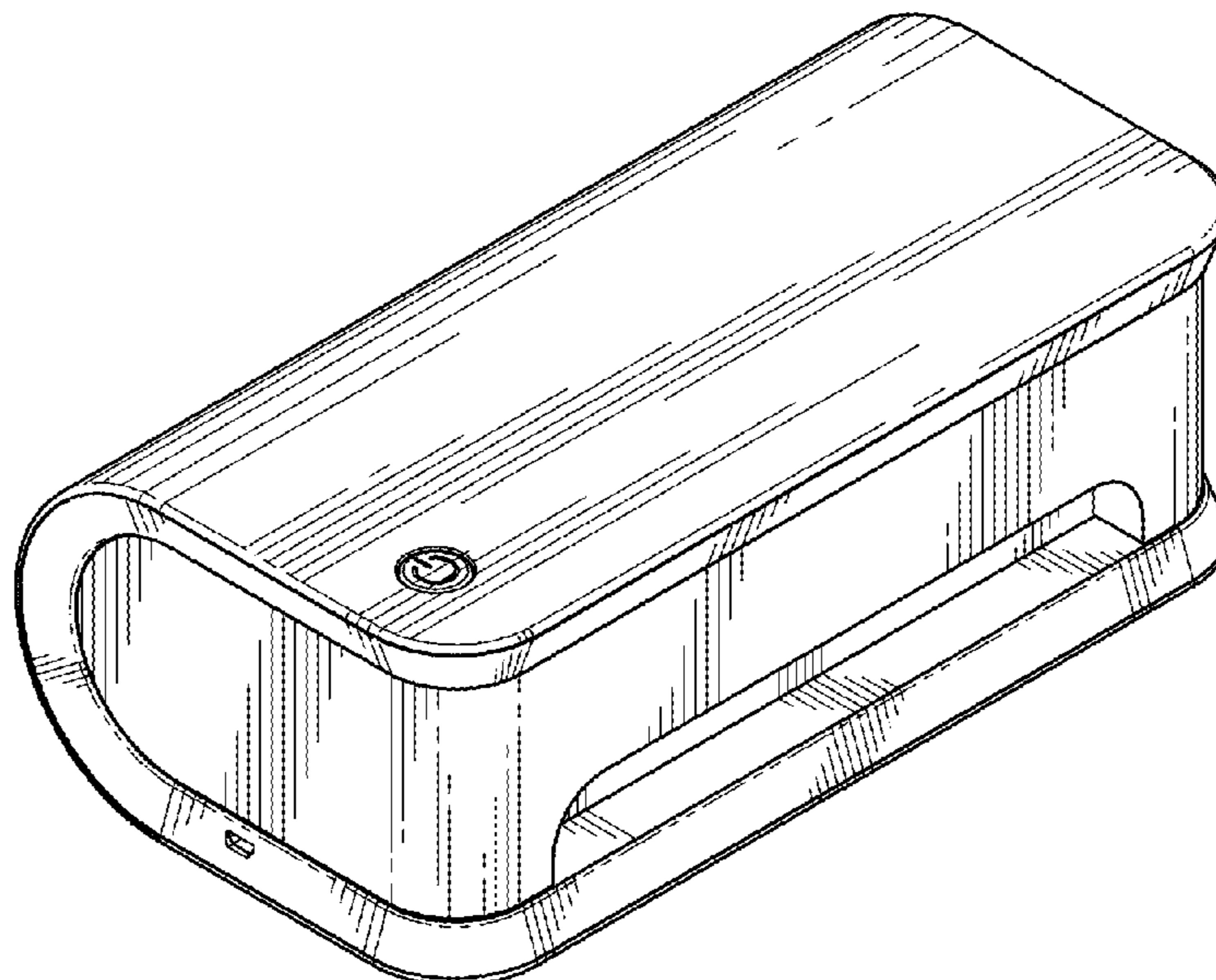
(56) **References Cited**

U.S. PATENT DOCUMENTS

D668,349 S *	10/2012	Sun	.....	D24/217
D841,888 S *	2/2019	Ouyang	.....	D28/58
D854,705 S *	7/2019	Ouyang	.....	D24/217
D900,333 S *	10/2020	Xie	.....	D24/217
D914,234 S *	3/2021	Yi	.....	D24/217
D922,544 S *	6/2021	O'Neil	.....	D23/265
D925,059 S *	7/2021	Yoo	.....	D24/217
D925,761 S *	7/2021	LaPorte	.....	D24/217
D925,762 S *	7/2021	LaPorte	.....	D24/217
D925,763 S *	7/2021	LaPorte	.....	D24/217
2019/0336627 A1 *	11/2019	Lucio	.....	A61L 2/208

(Continued)

**1 Claim, 8 Drawing Sheets**



(56)

**References Cited**

U.S. PATENT DOCUMENTS

2021/0046198 A1\* 2/2021 Winslow ..... A61L 2/084  
2021/0220500 A1\* 7/2021 Lam ..... A23L 3/26

\* cited by examiner

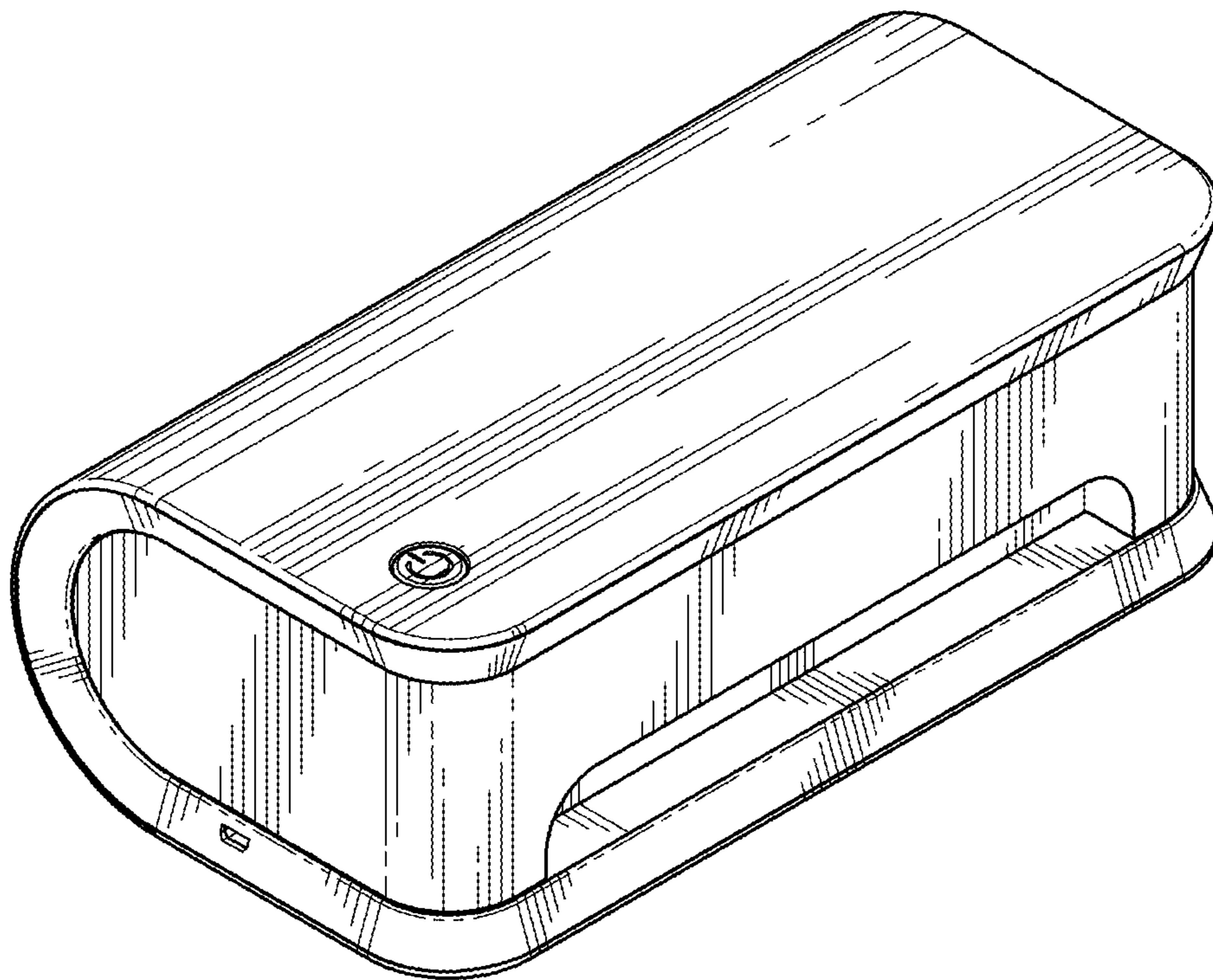


Fig. 1

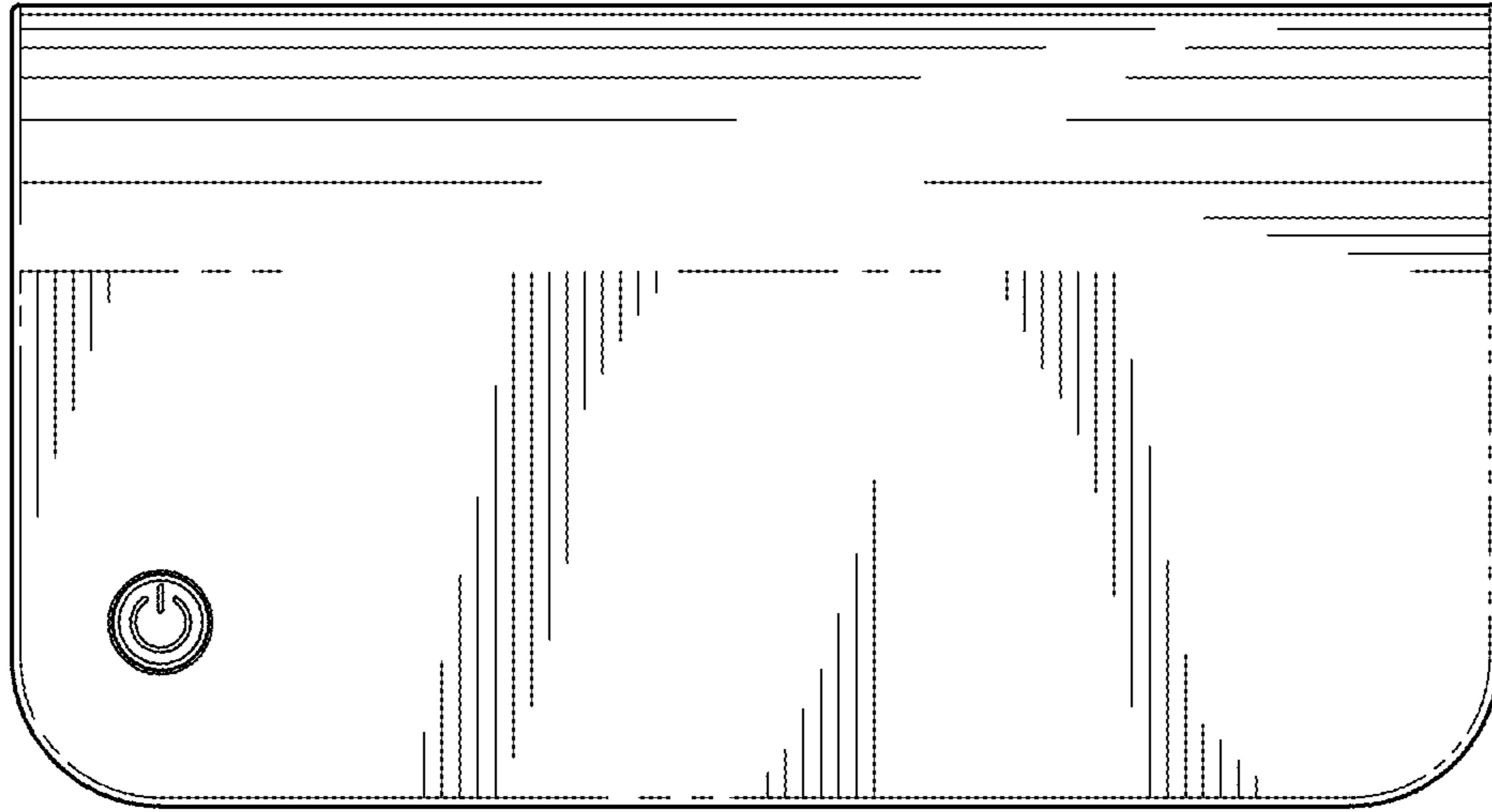


Fig. 2

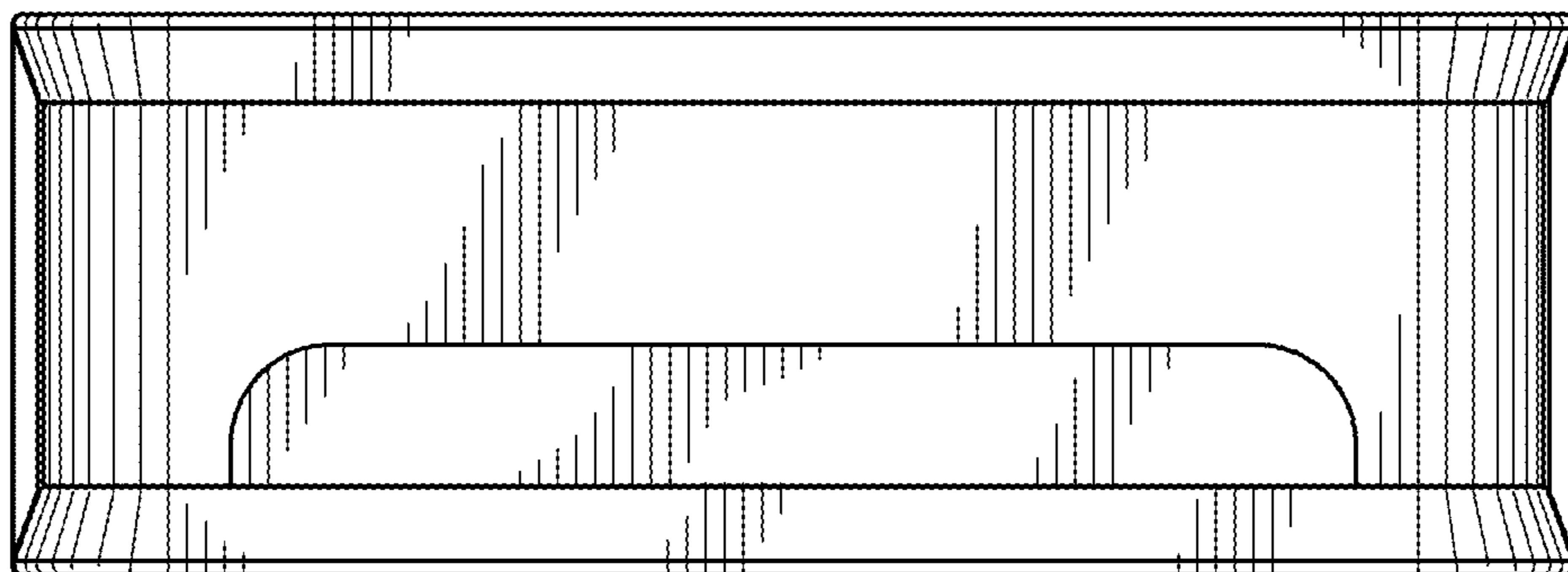


Fig. 3

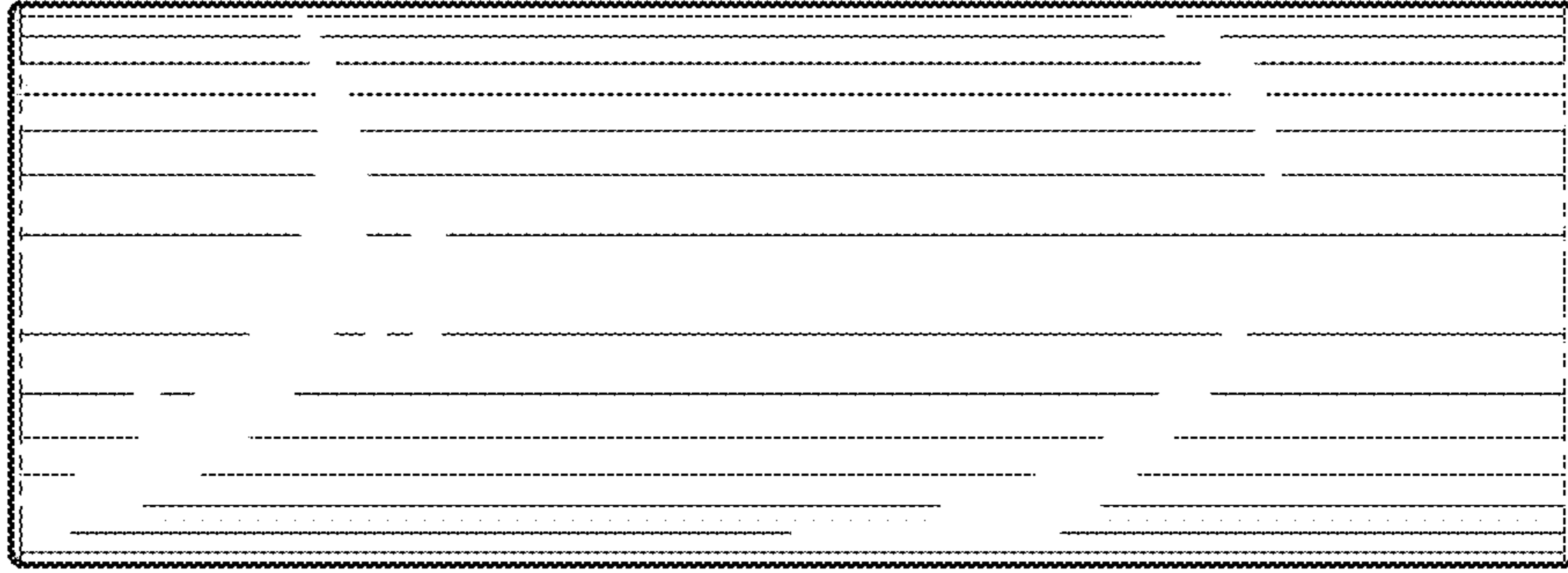


Fig. 4

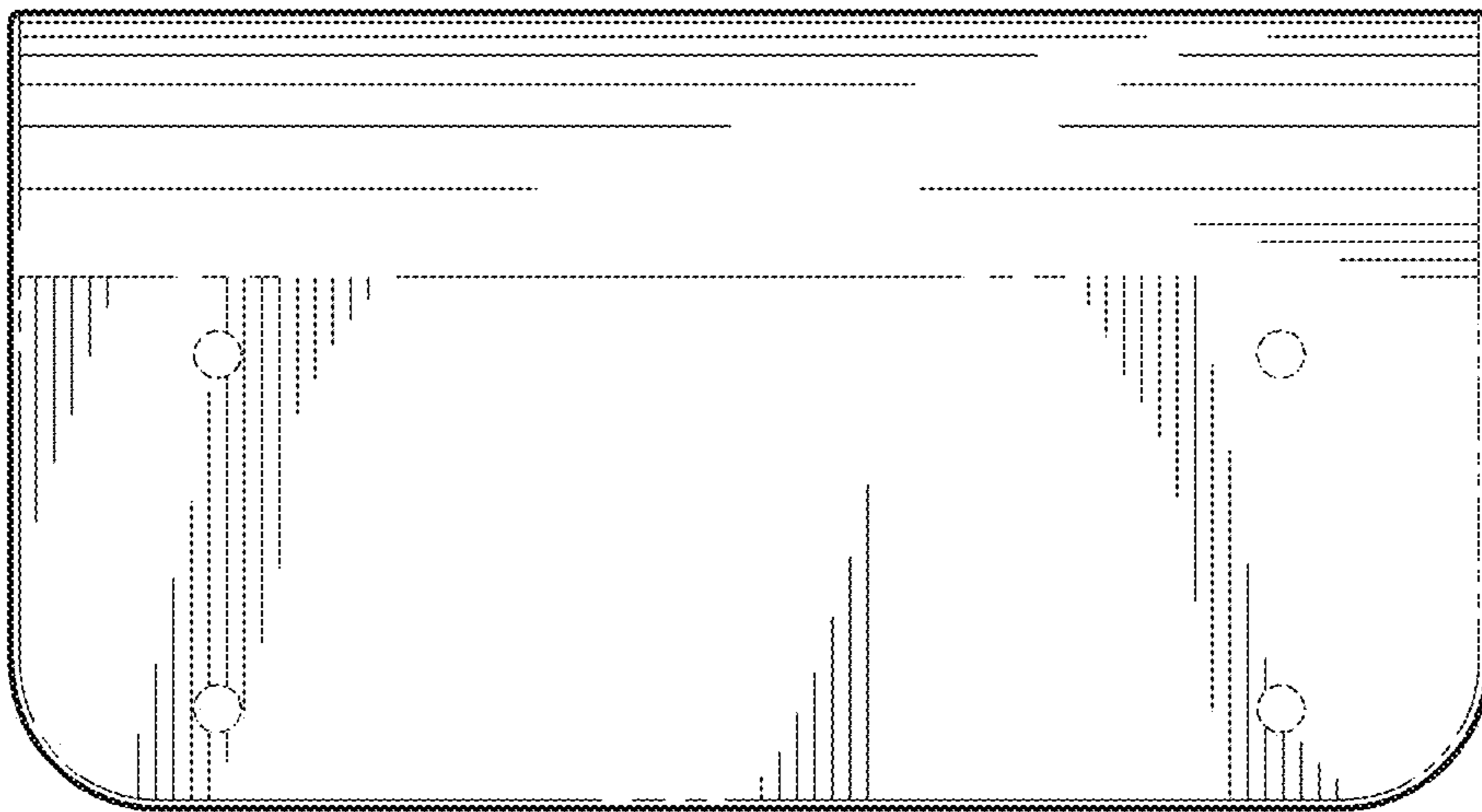


Fig. 5

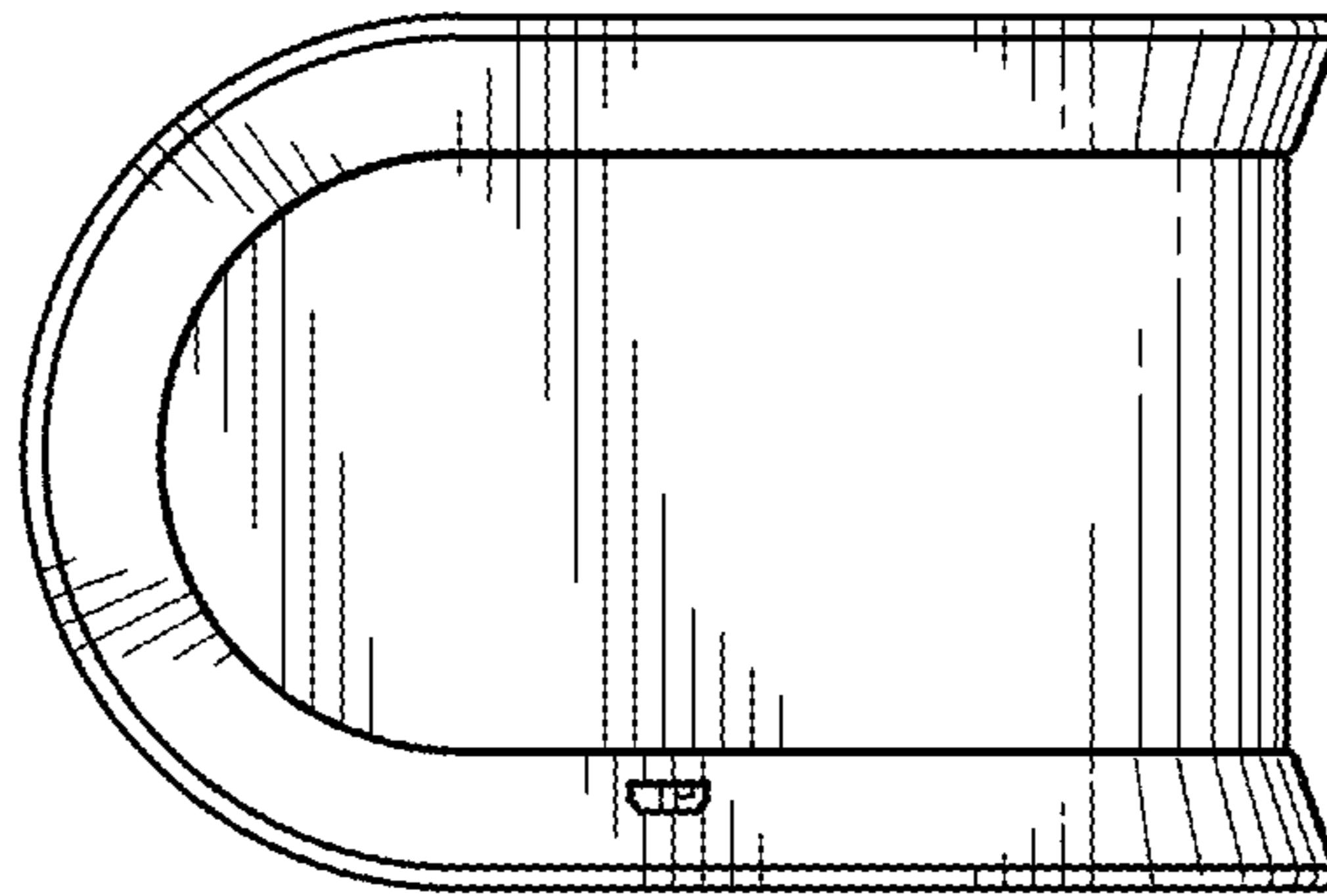


Fig. 6

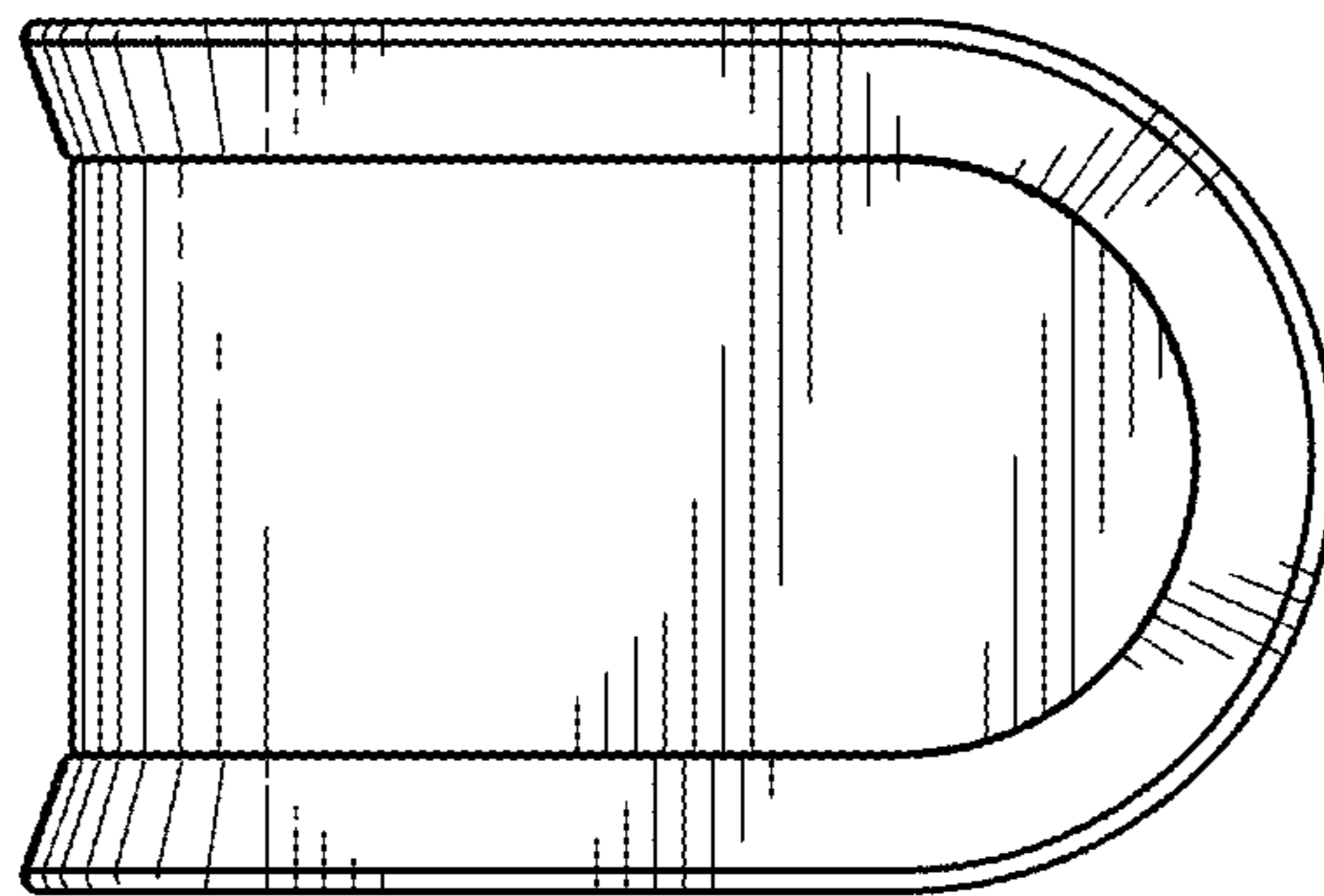


Fig. 7

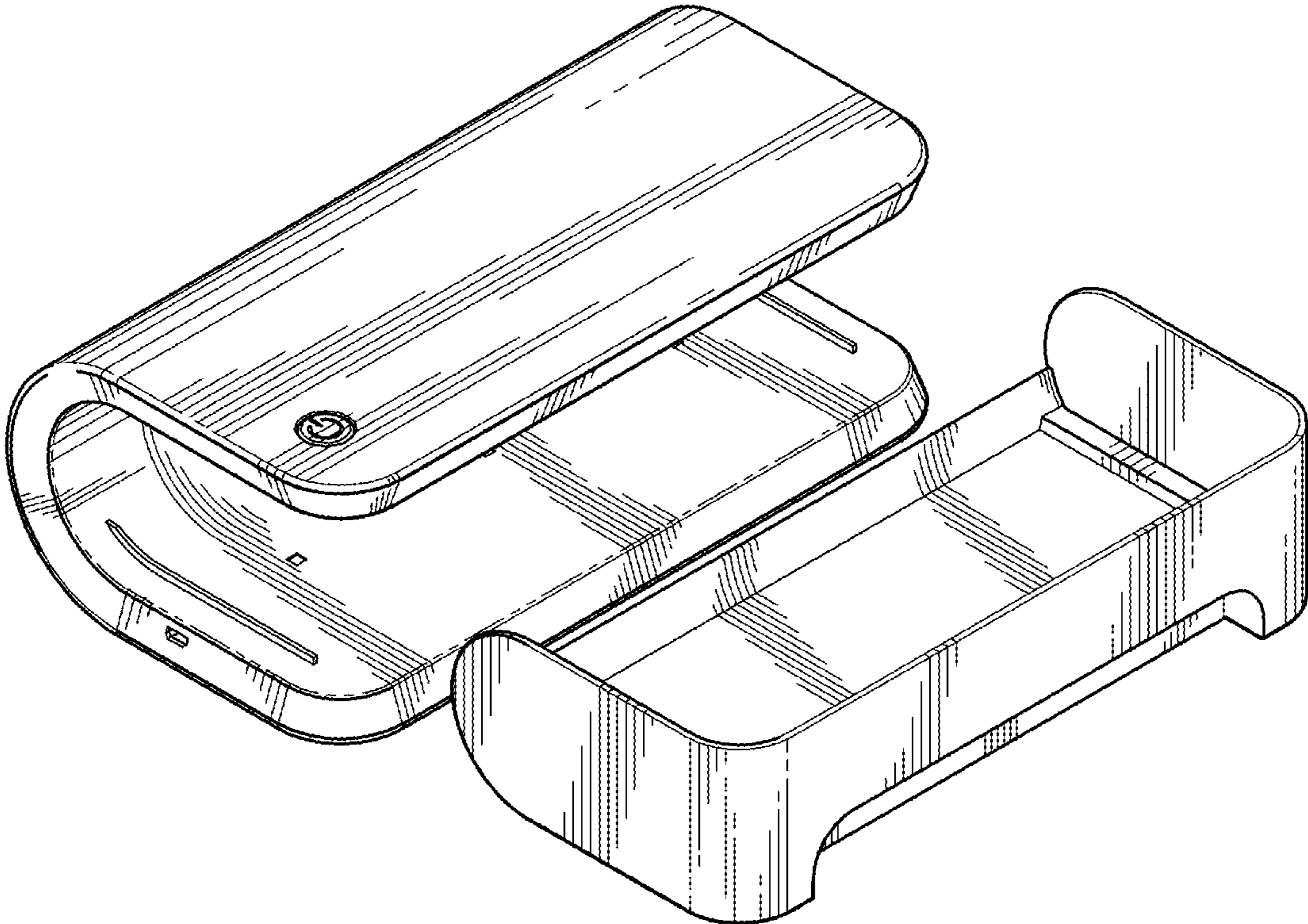


Fig. 8

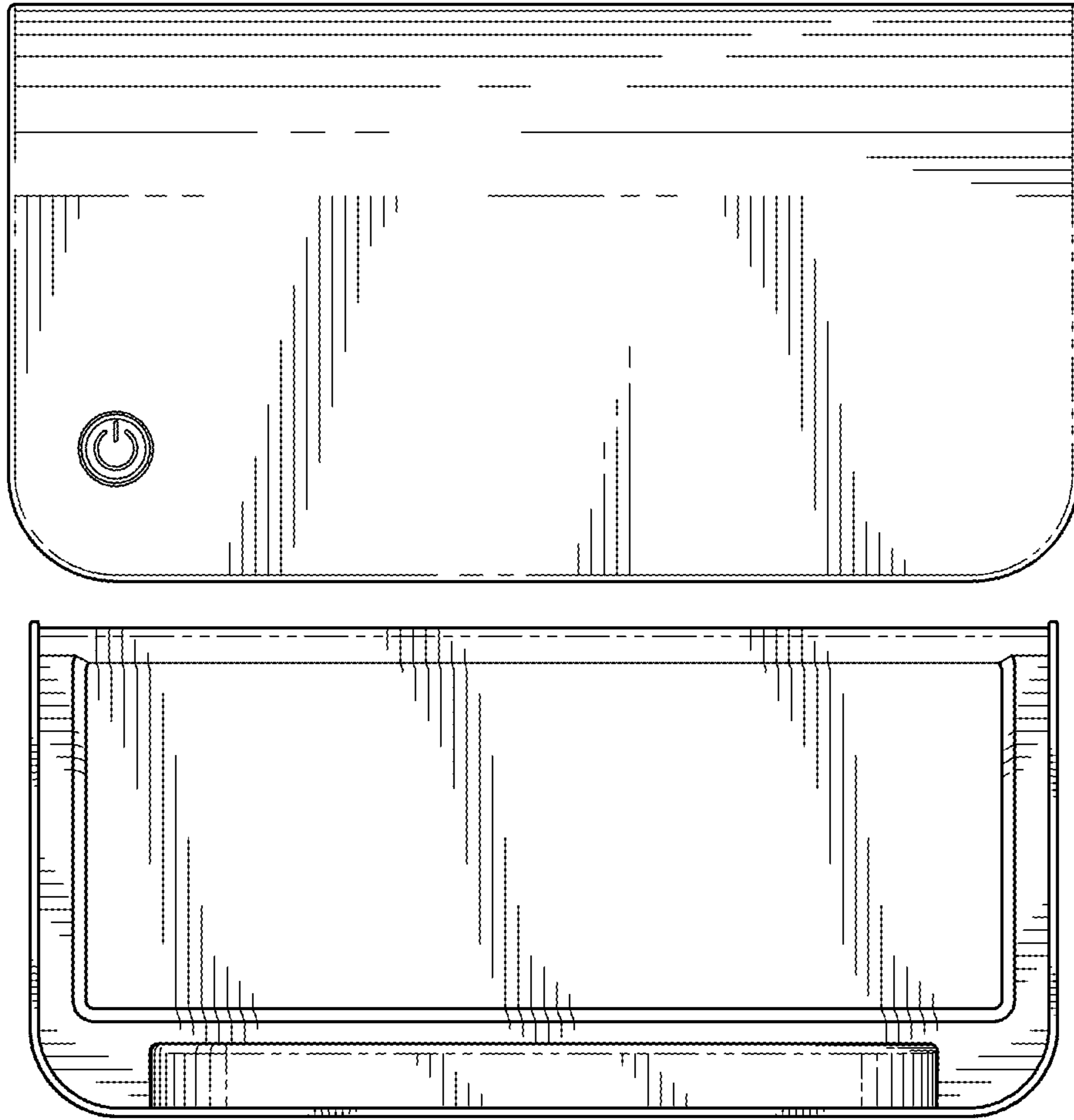


Fig. 9



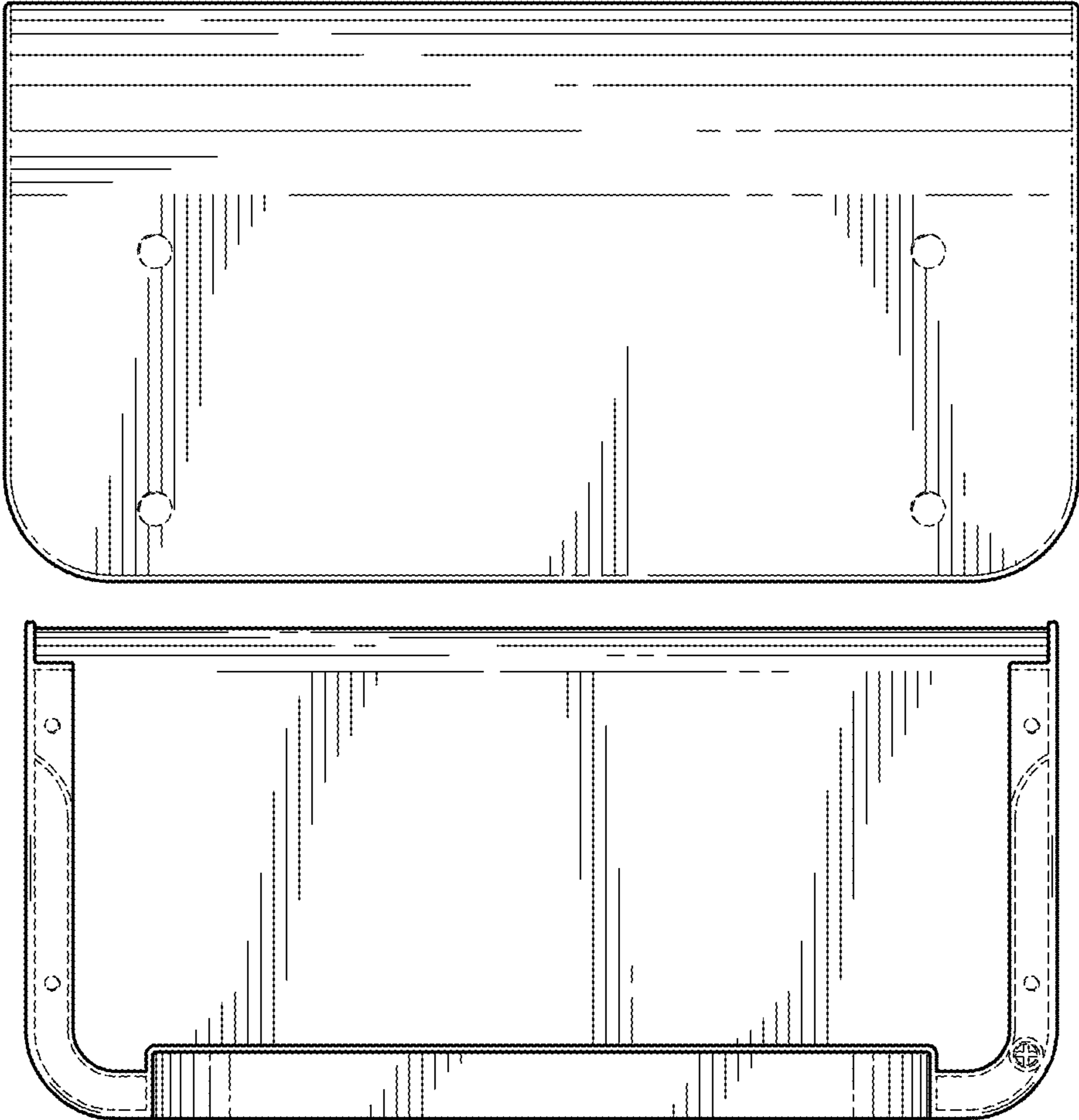


Fig. 10

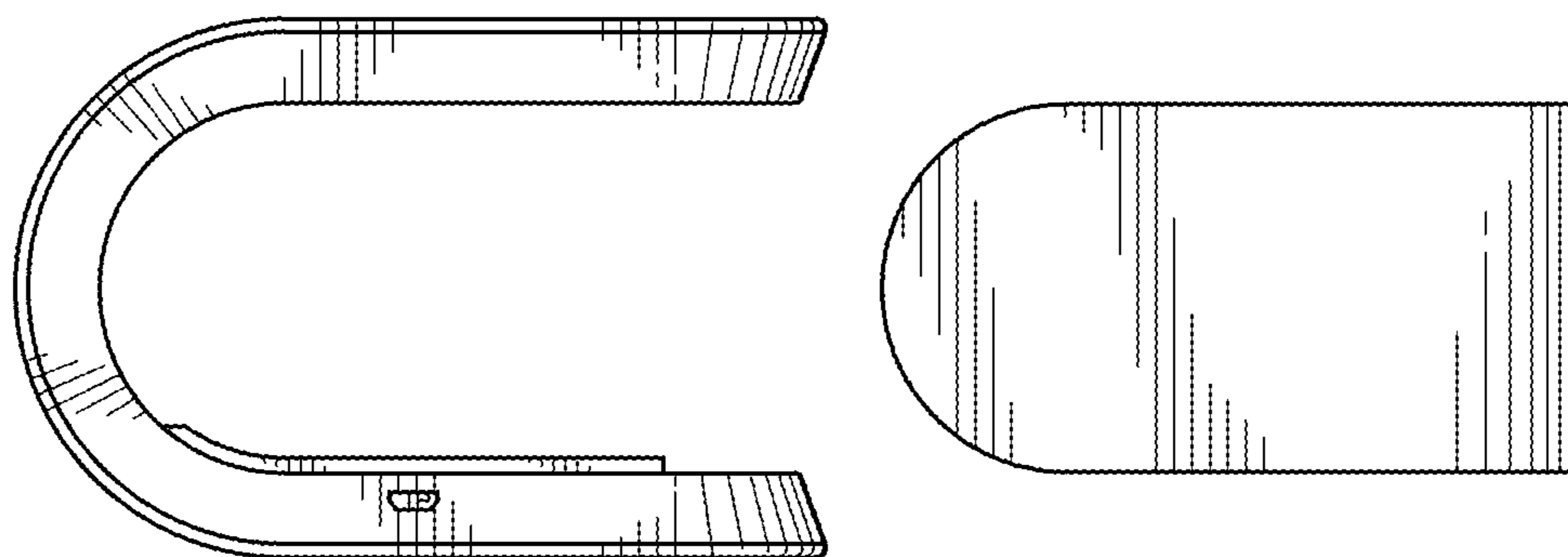


Fig. 11

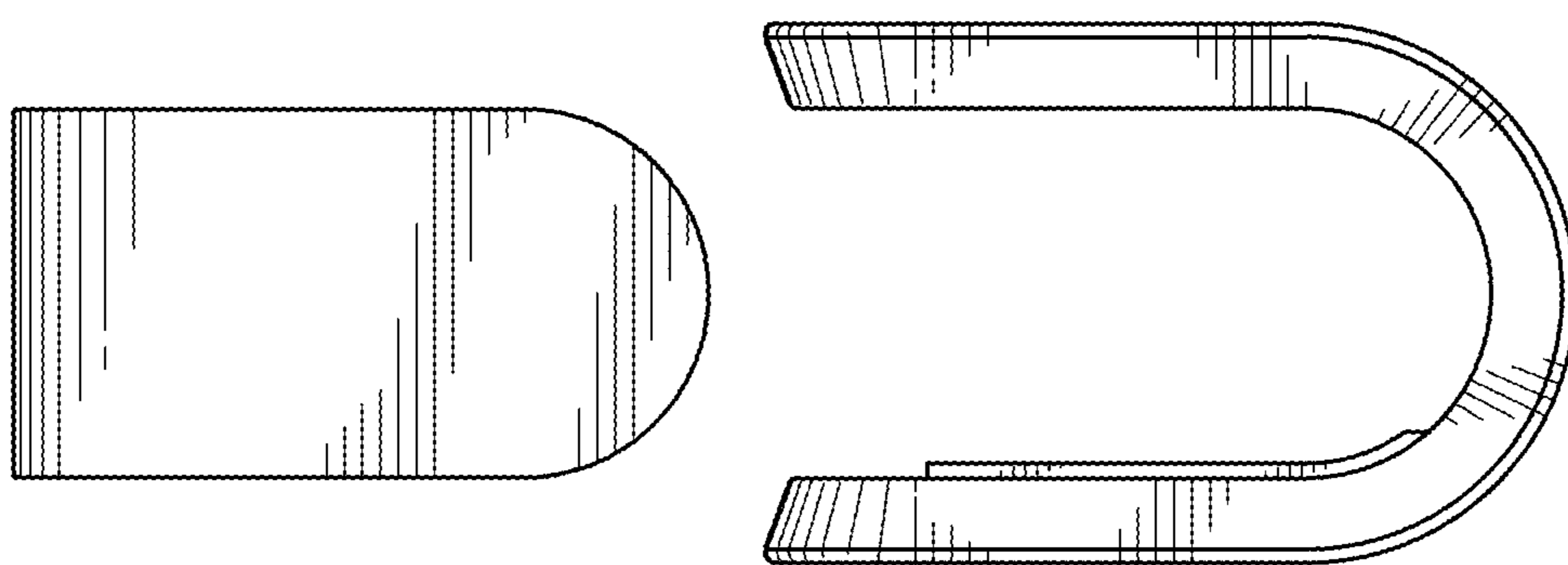


Fig. 12