



US00D957668S

(12) **United States Design Patent** (10) **Patent No.:** **US D957,668 S**
Ou Yang (45) **Date of Patent:** **** Jul. 12, 2022**

(54) **UVC LED BOX**

(71) Applicant: **SHENZHEN UVLED OPTICAL TECHNOLOGY CO., LTD.**, Guangdong (CN)

(72) Inventor: **Chen Yi Ou Yang**, Hunan Province (CN)

(73) Assignee: **SHENZHEN UVLED OPTICAL TECHNOLOGY CO., LTD.**, Guangdong (CN)

(**) Term: **15 Years**

(21) Appl. No.: **29/661,883**

(22) Filed: **Aug. 31, 2018**

(30) **Foreign Application Priority Data**

Jun. 8, 2018 (CN) 201830289449.3

(51) **LOC (13) Cl.** **24-01**

(52) **U.S. Cl.**
USPC **D24/217**

(58) **Field of Classification Search**
USPC D24/200, 209–213, 217–219, 224–232, D24/186, 107, 108; D23/366; D32/1, D32/25; D28/44, 73; 422/24, 26, 27, 422/307; 250/455.11
CPC A61L 2/26; A61L 2/24; A61L 2/17; A61L 2/18; A61L 2/025; A61L 2/10; A61L 2/084; A61L 2202/122; A61L 2202/10; A61L 2202/11; A61L 2202/14; A61L 2202/23; A61L 2202/24; A61L 2202/182; C02F 1/32; C02F 1/325; A61H 15/00; A61H 15/0007; A61H 2015/0042; A63B 43/06

See application file for complete search history.

(56) **References Cited**

U.S. PATENT DOCUMENTS

D303,569 S * 9/1989 Eberle D24/219
D381,432 S * 7/1997 Wenstrand D24/217
D421,308 S * 2/2000 Johansson D24/217

(Continued)

OTHER PUBLICATIONS

59S pacifier mini sterilizing box, posted at 59s.com, no posting date, online, URL: http://www.59s.com/en/59s-pacifier-mini-sterilizing-box.html#_pp=102_1496 (Year: 2019).*

Primary Examiner — Mary Shannon Malley

(74) *Attorney, Agent, or Firm* — Juan Carlos A. Marquez; Marquez IP Law Office PLLC

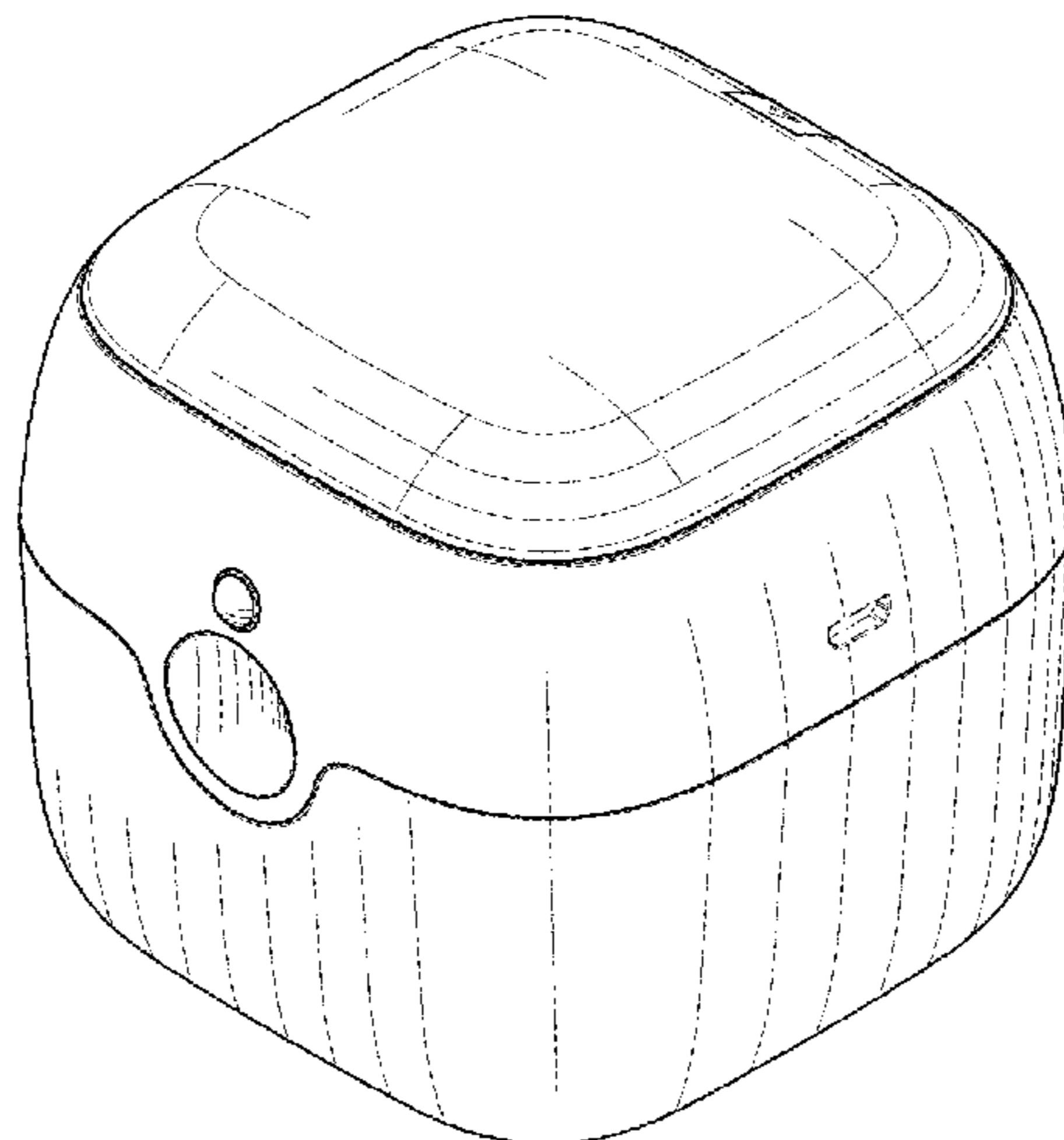
(57) **CLAIM**

The ornamental design for a UVC LED box, as shown and described.

DESCRIPTION

FIG. 1 is a perspective view of a UVC LED box, showing the new design;
FIG. 2 is a front view thereof;
FIG. 3 is a rear view thereof;
FIG. 4 is a left-side view thereof;
FIG. 5 is a right-side view thereof;
FIG. 6 is a top view thereof;
FIG. 7 is a bottom view thereof;
FIG. 8 is a perspective view thereof, with the design shown in use;
FIG. 9 is another perspective view thereof showing the design in alternate state of use;
FIG. 10 is an enlarged view of the selected portion in FIG. 6; and,
FIG. 11 is an enlarged view of the selected portion in FIG. 9.
The dot-dot-dash lines in FIGS. 10 and 11 represent the bounds of the enlargements taken from FIGS. 6 and 9 and form no part of the claimed design. The remaining broken lines depict portions of the UVC LED box that form no part of the claimed design.

1 Claim, 8 Drawing Sheets



(56)

References Cited

U.S. PATENT DOCUMENTS

D437,418	S	*	2/2001	Suzuki	D24/219
D735,875	S	*	8/2015	Hagenauer	D24/210
D753,308	S	*	4/2016	Marinkovich	D24/158
D775,362	S	*	12/2016	Ho	D24/200
D782,926	S	*	4/2017	Hojo	D10/70
D842,724	S	*	3/2019	Vandenbussche	D10/70
D850,628	S	*	6/2019	De Hoog	D24/186
D854,433	S	*	7/2019	Vandenbussche	D10/70
D854,705	S	*	7/2019	Ouyang	D24/217
D855,813	S	*	8/2019	Hu	D24/186
2017/0324267	A1	*	11/2017	Decker	H02J 50/12

* cited by examiner

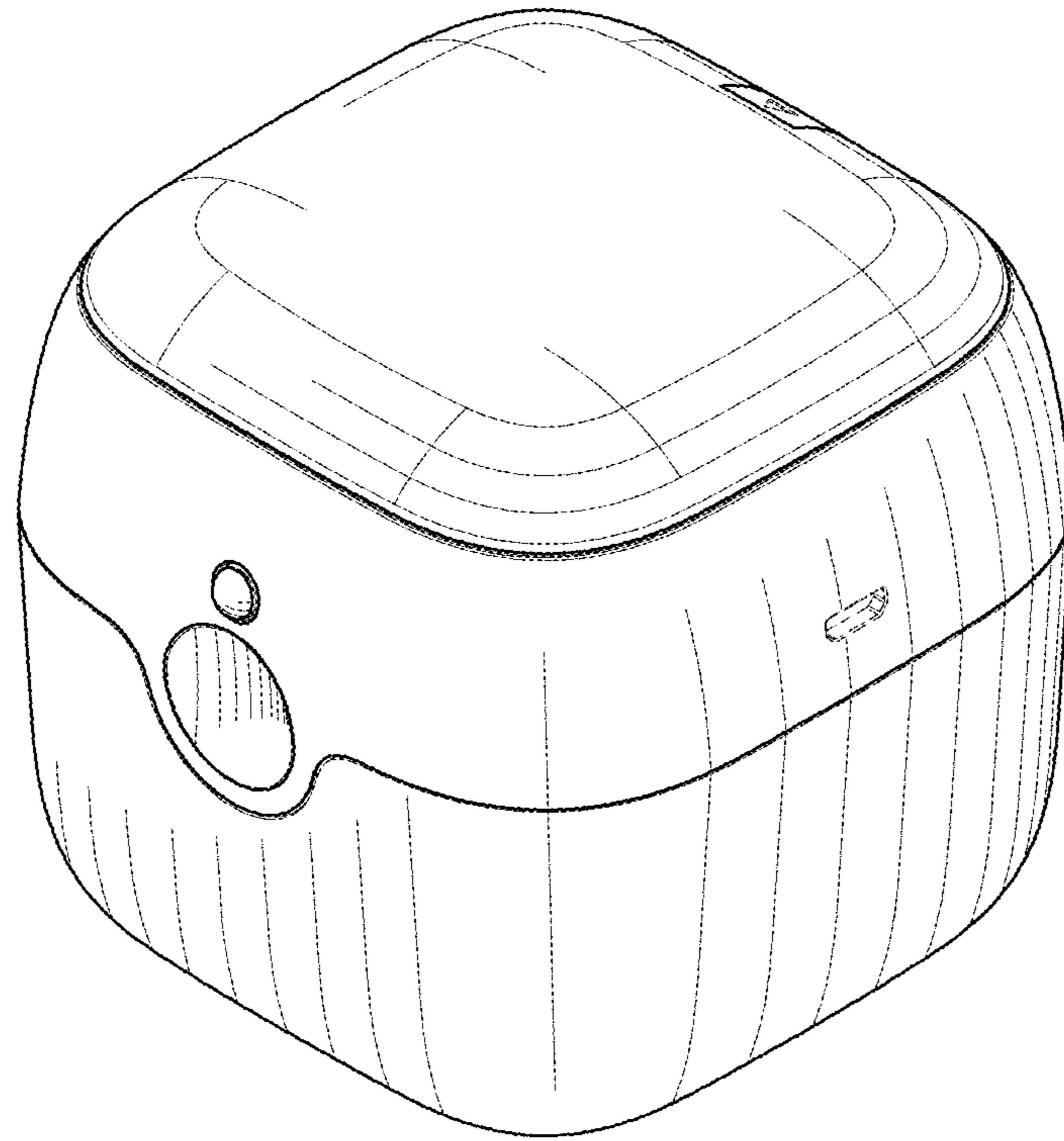


FIG. 1

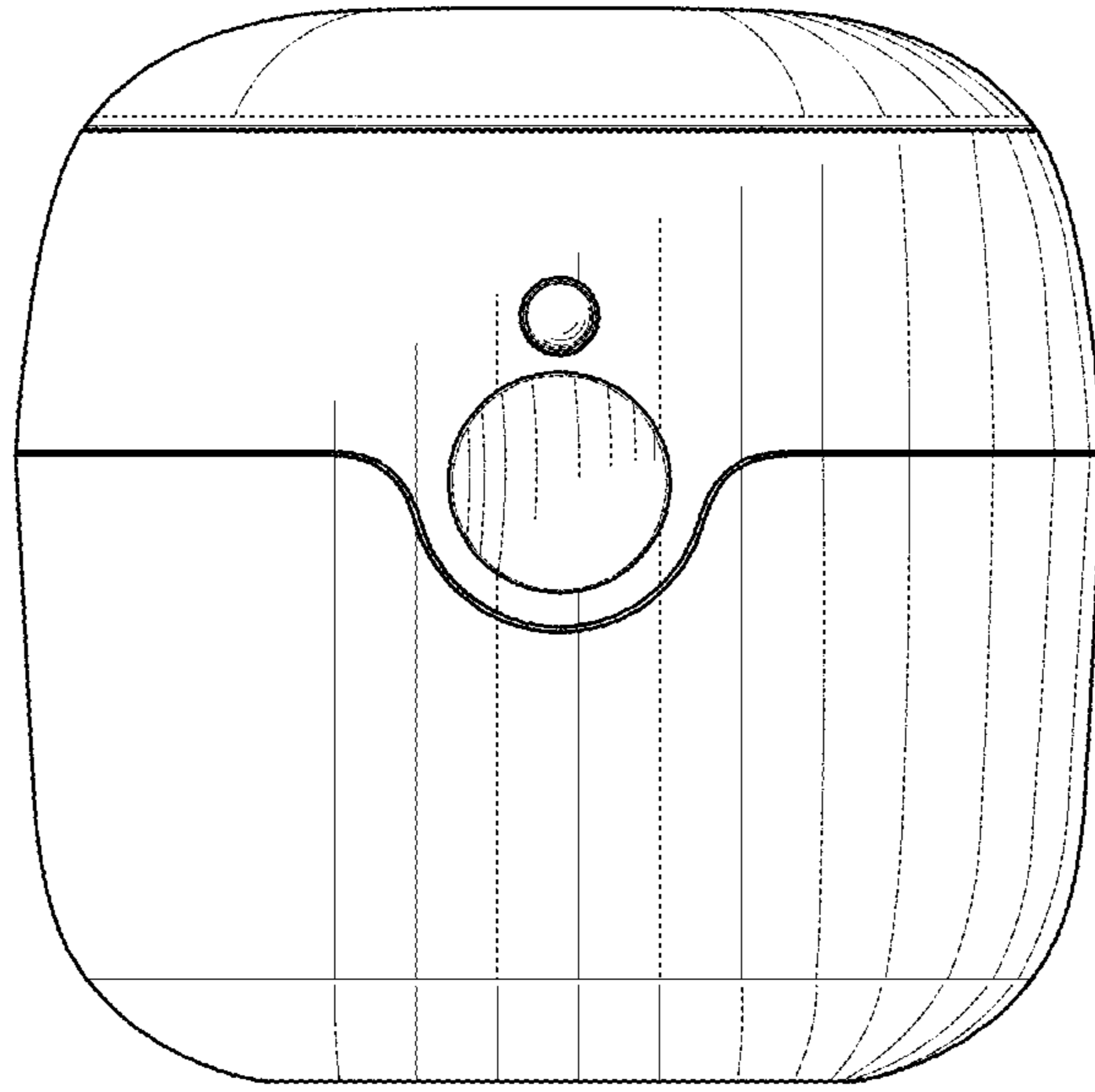


FIG. 2

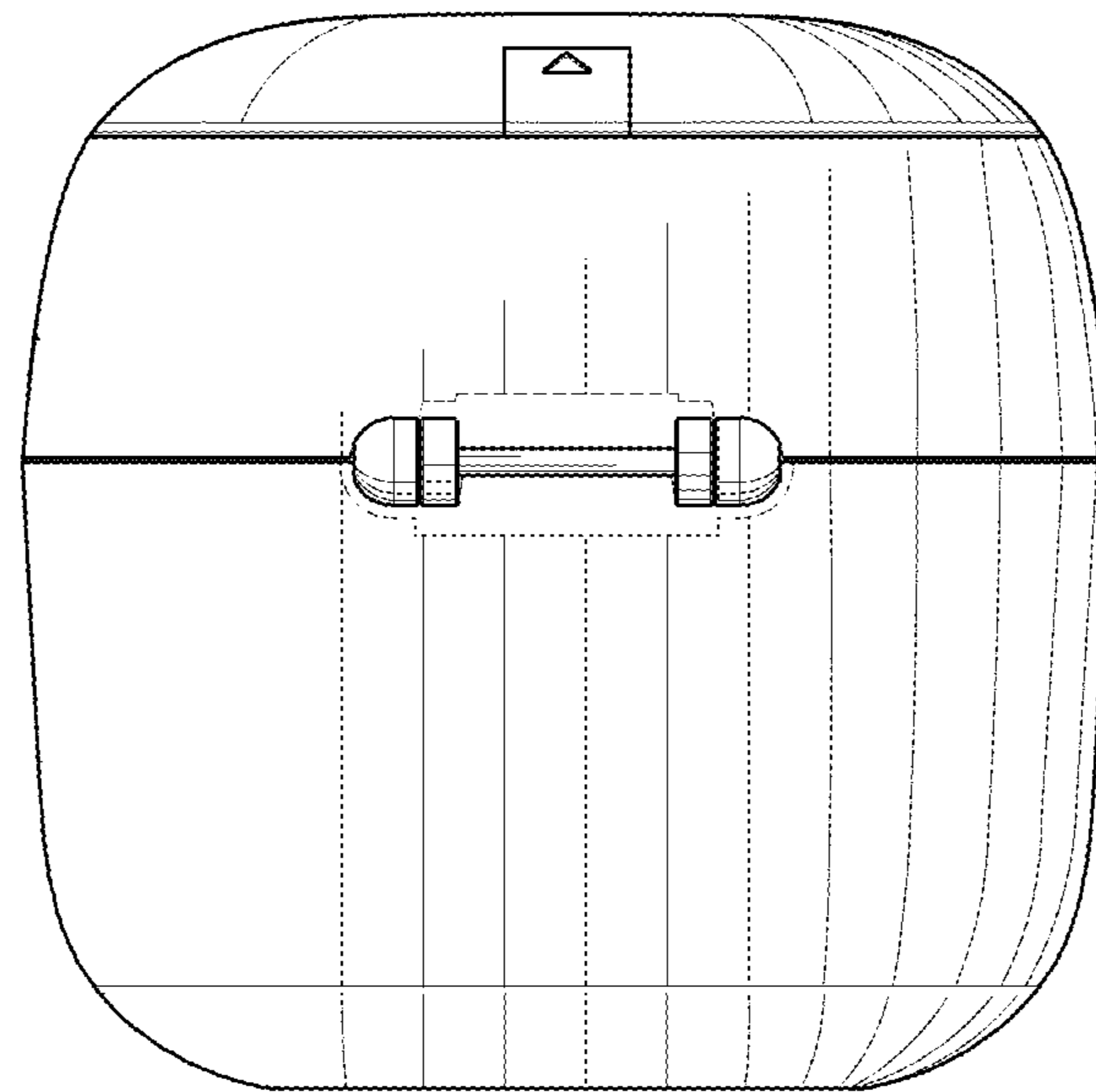


FIG. 3

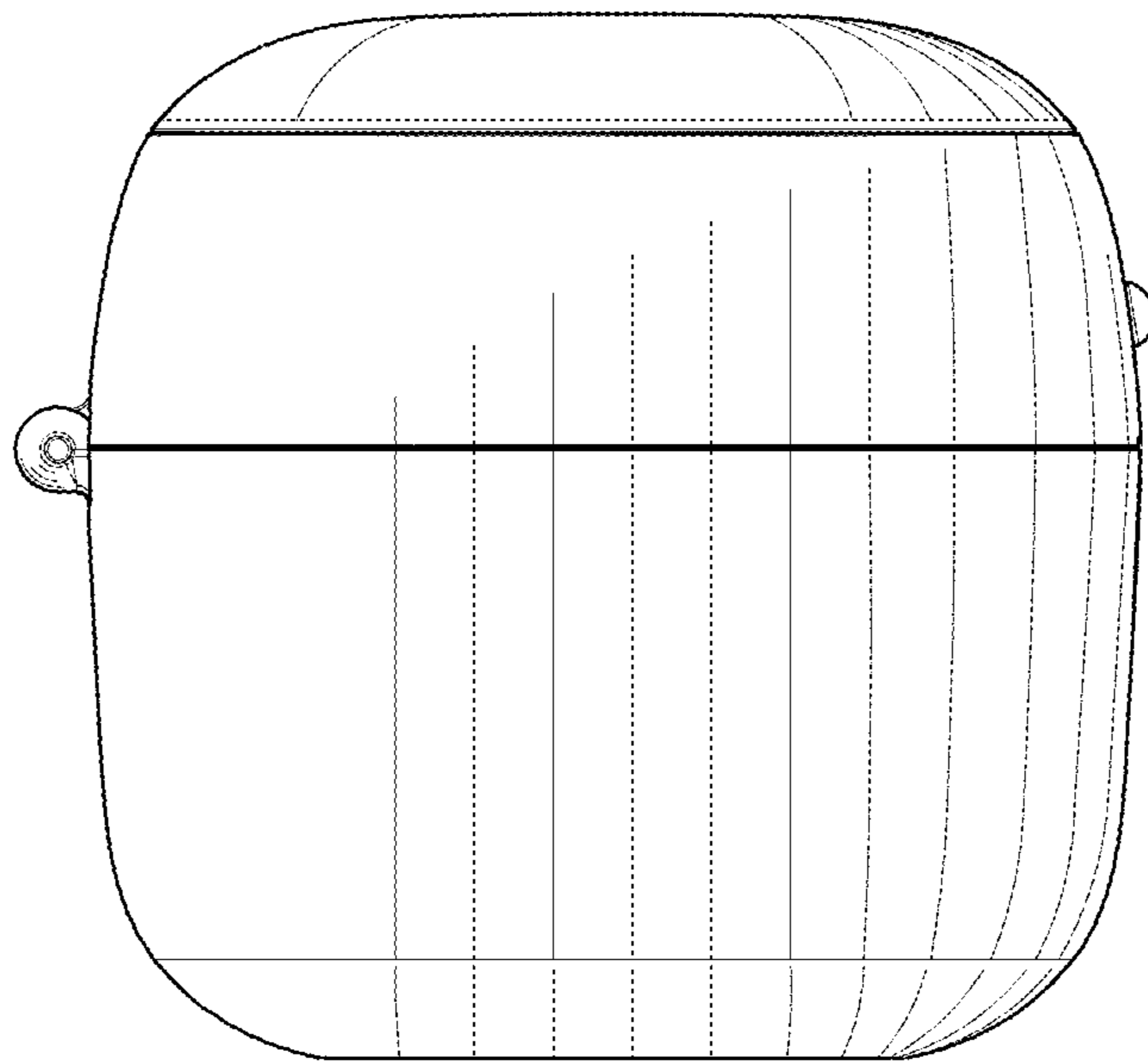


FIG. 4

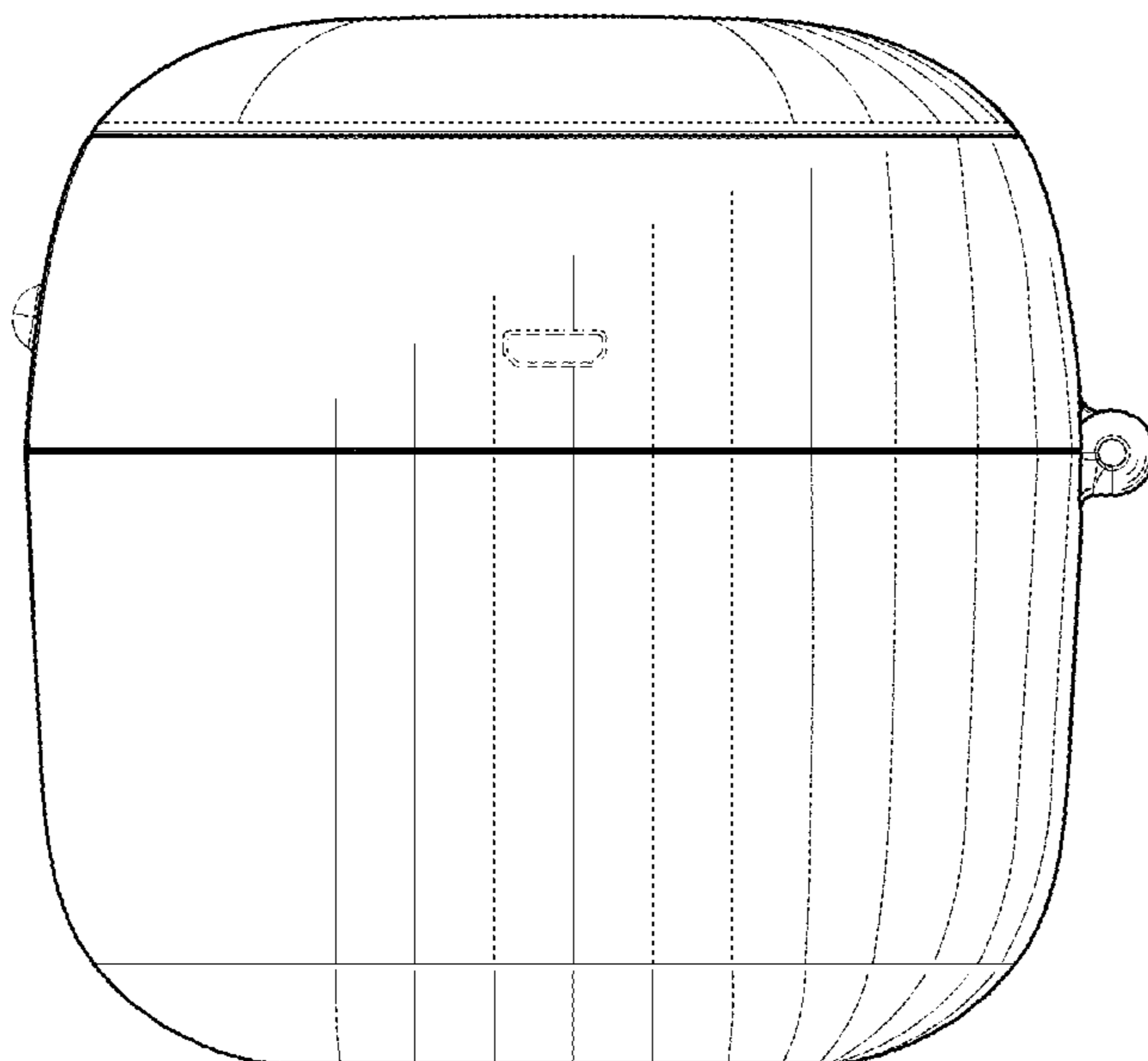


FIG. 5

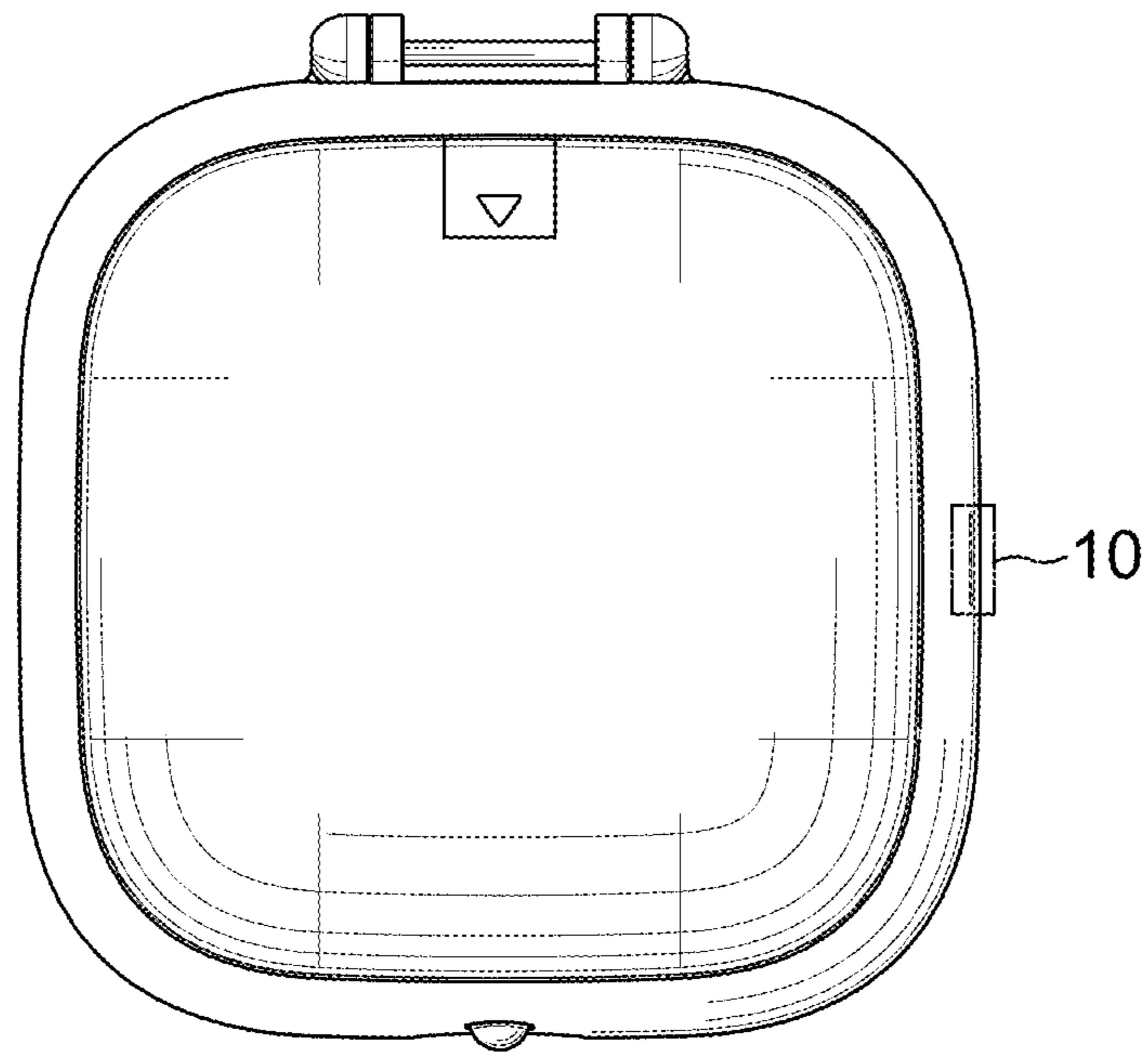


FIG. 6

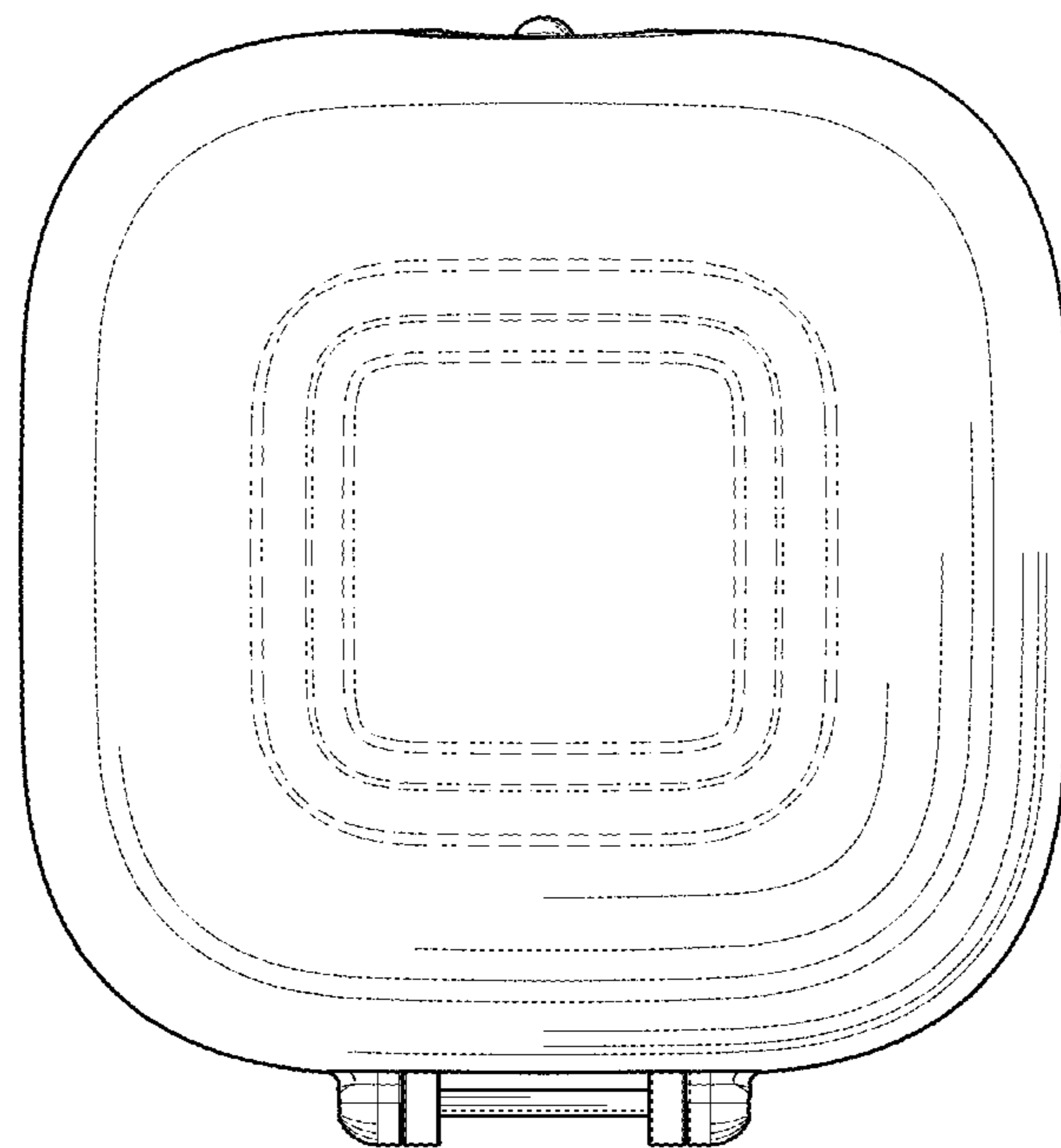


FIG. 7

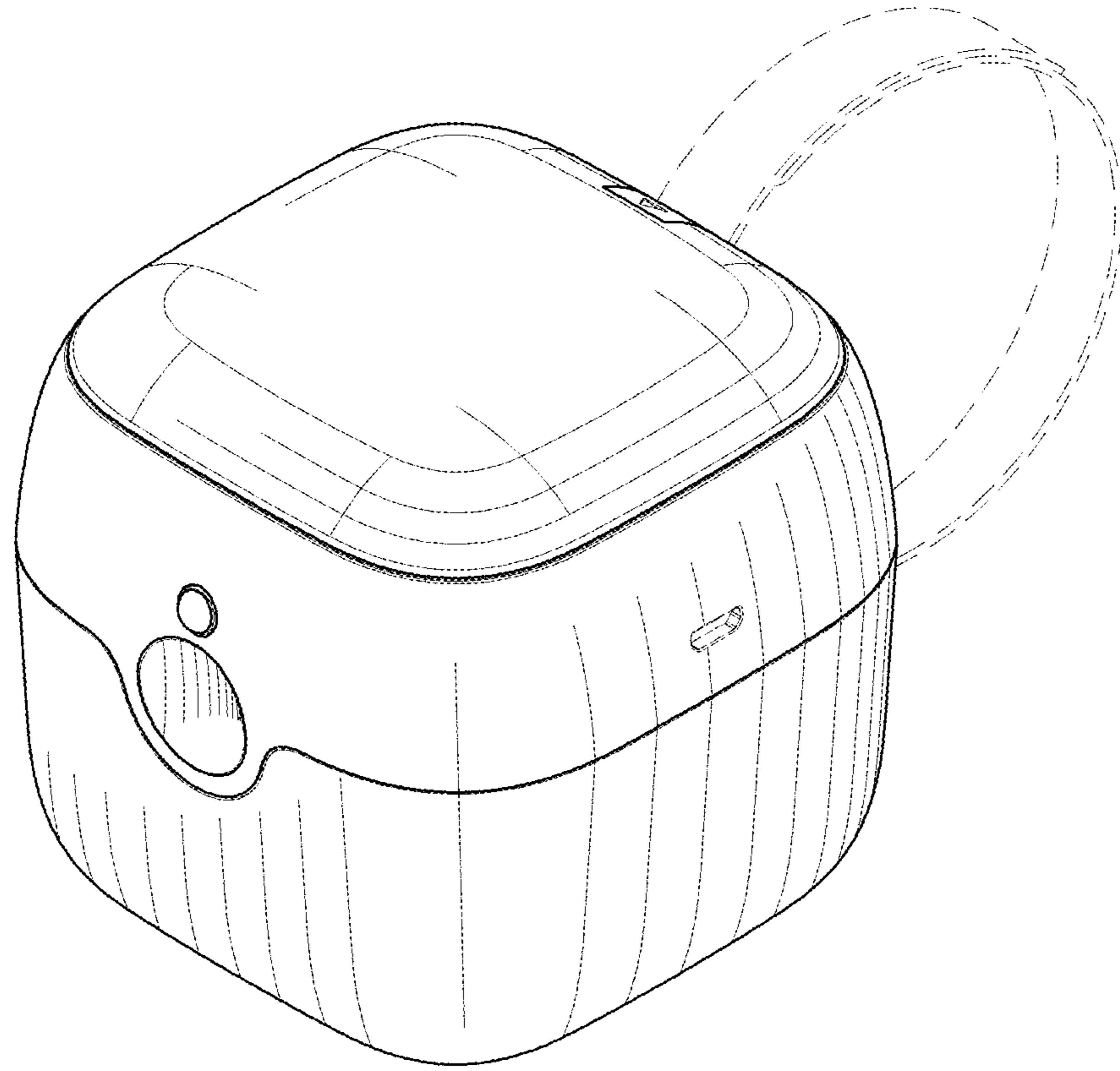


FIG. 8

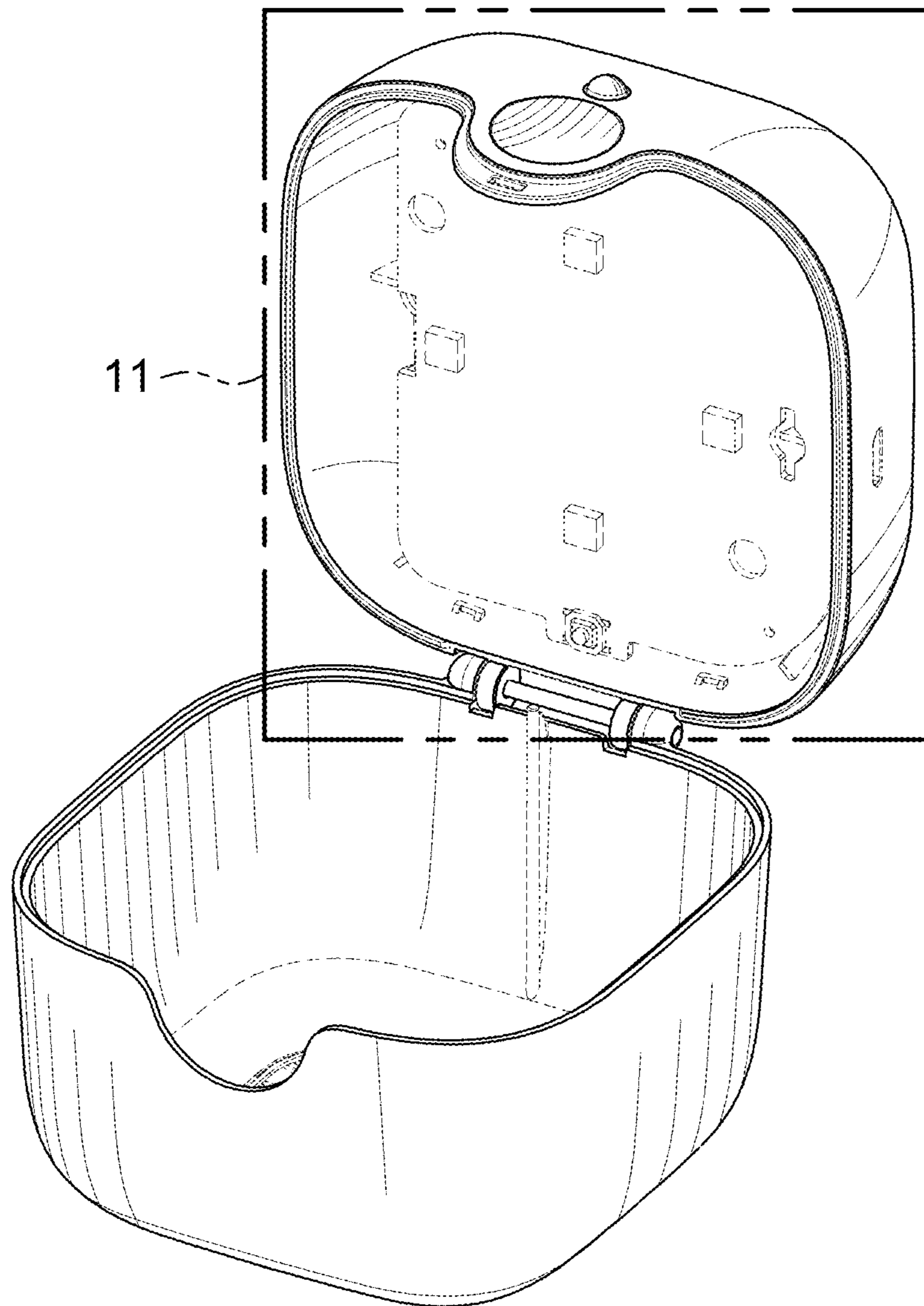


FIG. 9

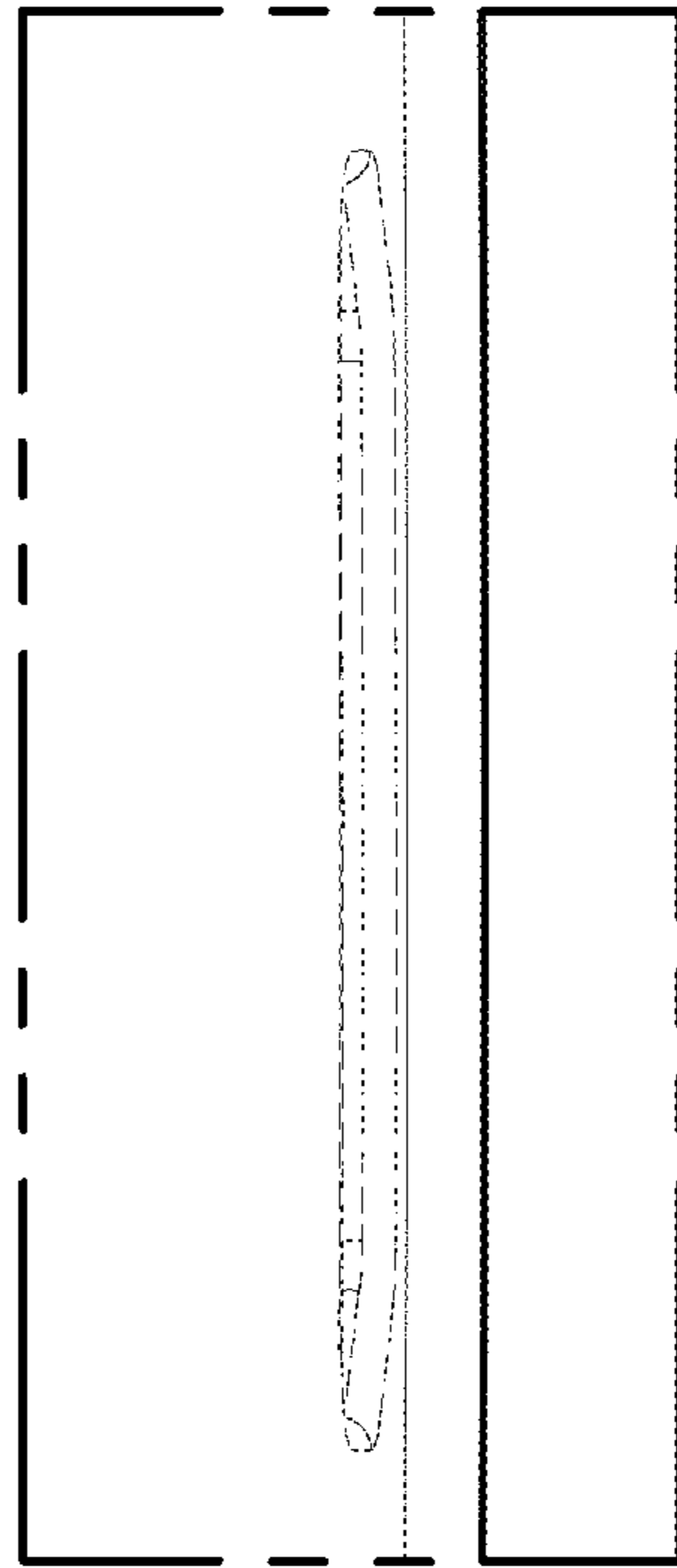


FIG. 10

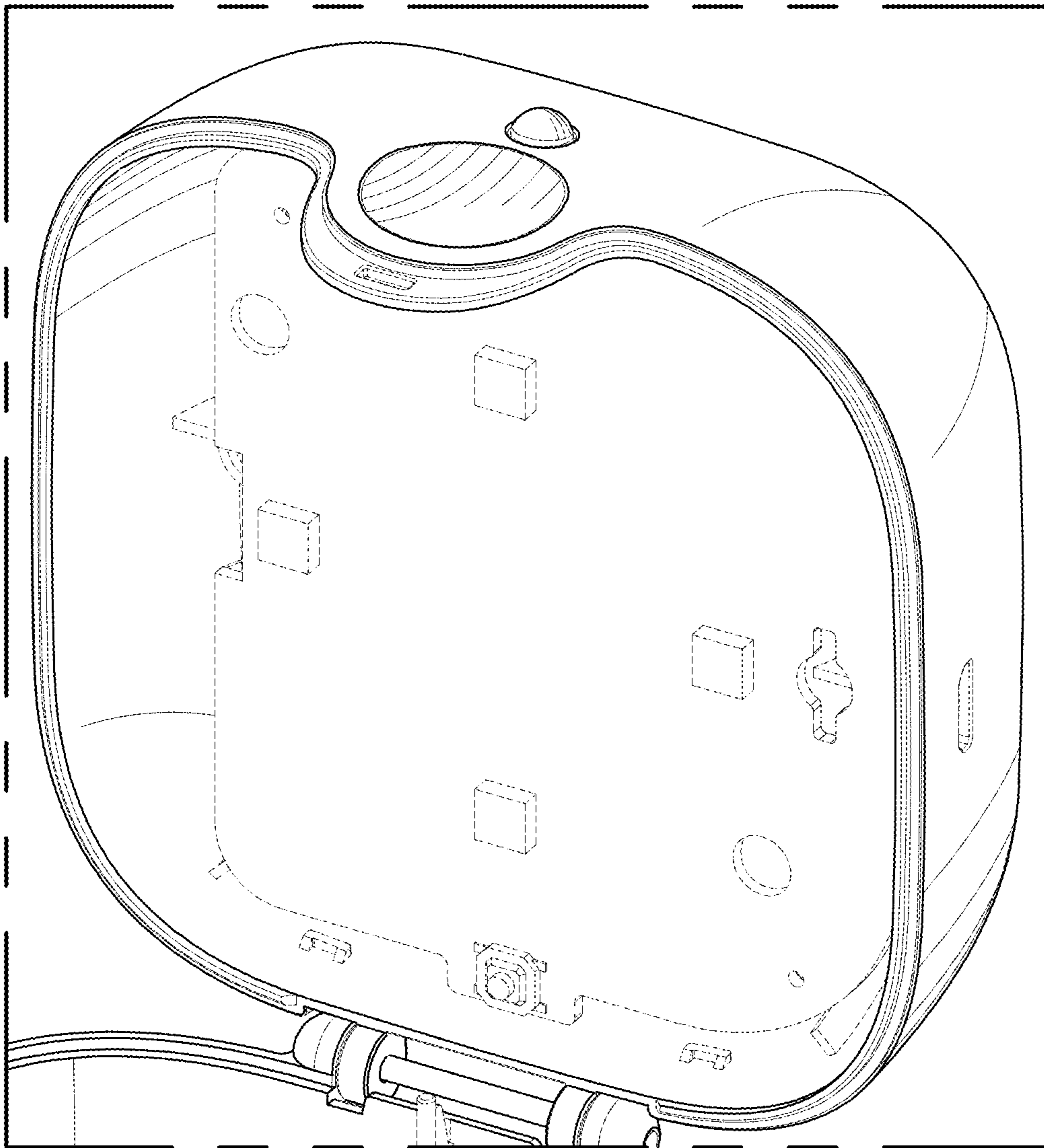


FIG. 11