



US00D957667S

(12) **United States Design Patent**  
**Shimobayashi**

(10) **Patent No.:** **US D957,667 S**  
(45) **Date of Patent:** **\*\* Jul. 12, 2022**

(54) **MEDICAL CLEANING AND DISINFECTION APPARATUS**

(71) Applicant: **OLYMPUS CORPORATION**, Tokyo (JP)

(72) Inventor: **Koji Shimobayashi**, Tokyo (JP)

(73) Assignee: **OLYMPUS CORPORATION**, Tokyo (JP)

(\*\*) Term: **15 Years**

(21) Appl. No.: **29/658,090**

(22) Filed: **Jul. 27, 2018**

(30) **Foreign Application Priority Data**

Feb. 1, 2018 (JP) ..... 2018-001987  
Feb. 1, 2018 (JP) ..... 2018-001988

(51) **LOC (13) Cl.** ..... **24-01**

(52) **U.S. Cl.**  
USPC ..... **D24/217**

(58) **Field of Classification Search**  
USPC ..... D24/216–218, 227–232; D32/1, 25, 2, D32/28; D7/405, 339, 340, 346  
CPC ..... A61L 2/26; A61L 2/24; A61L 2/17; A61L 2/18; A61L 2/025; A61L 2202/122; A61L 2202/10; A61L 2202/11; A61L 2202/14; A61L 2202/23; A61L 2202/24; A61L 2202/182; A61B 1/123; A61B 2090/701  
See application file for complete search history.

(56) **References Cited**

**U.S. PATENT DOCUMENTS**

D192,261 S \* 2/1962 Ferar ..... D32/28  
4,489,741 A \* 12/1984 Ogasawara ..... A61B 1/123  
134/179  
D313,679 S \* 1/1991 Sakamoto ..... D32/6  
D347,696 S \* 6/1994 Tominaga ..... D24/217

D433,147 S \* 10/2000 Florkey ..... D24/217  
D468,769 S \* 1/2003 Haas ..... D19/10  
D546,473 S \* 7/2007 Xu ..... D24/217  
D560,814 S \* 1/2008 Brieussel ..... D24/217  
7,490,295 B2 \* 2/2009 Chaudhri ..... G06F 3/0484  
715/764  
D630,804 S \* 1/2011 Ott ..... D32/3  
D636,400 S \* 4/2011 Vance ..... D14/486  
D645,620 S \* 9/2011 Ott ..... D32/3  
D677,686 S \* 3/2013 Reyna ..... D14/486

(Continued)

**OTHER PUBLICATIONS**

Olympus Endoscope Reprocessing With OER-Pro, posted at youtube.com, posted on Feb. 12, 2016, [online], [site visited Nov. 15, 2017]. Available from Internet: URL:https://www.youtube.com/watch?v=WZqzlnekS2M (Year: 2016).\*

(Continued)

*Primary Examiner* — Mary Shannon Malley  
(74) *Attorney, Agent, or Firm* — Scully, Scott, Murphy & Presser, P.C.

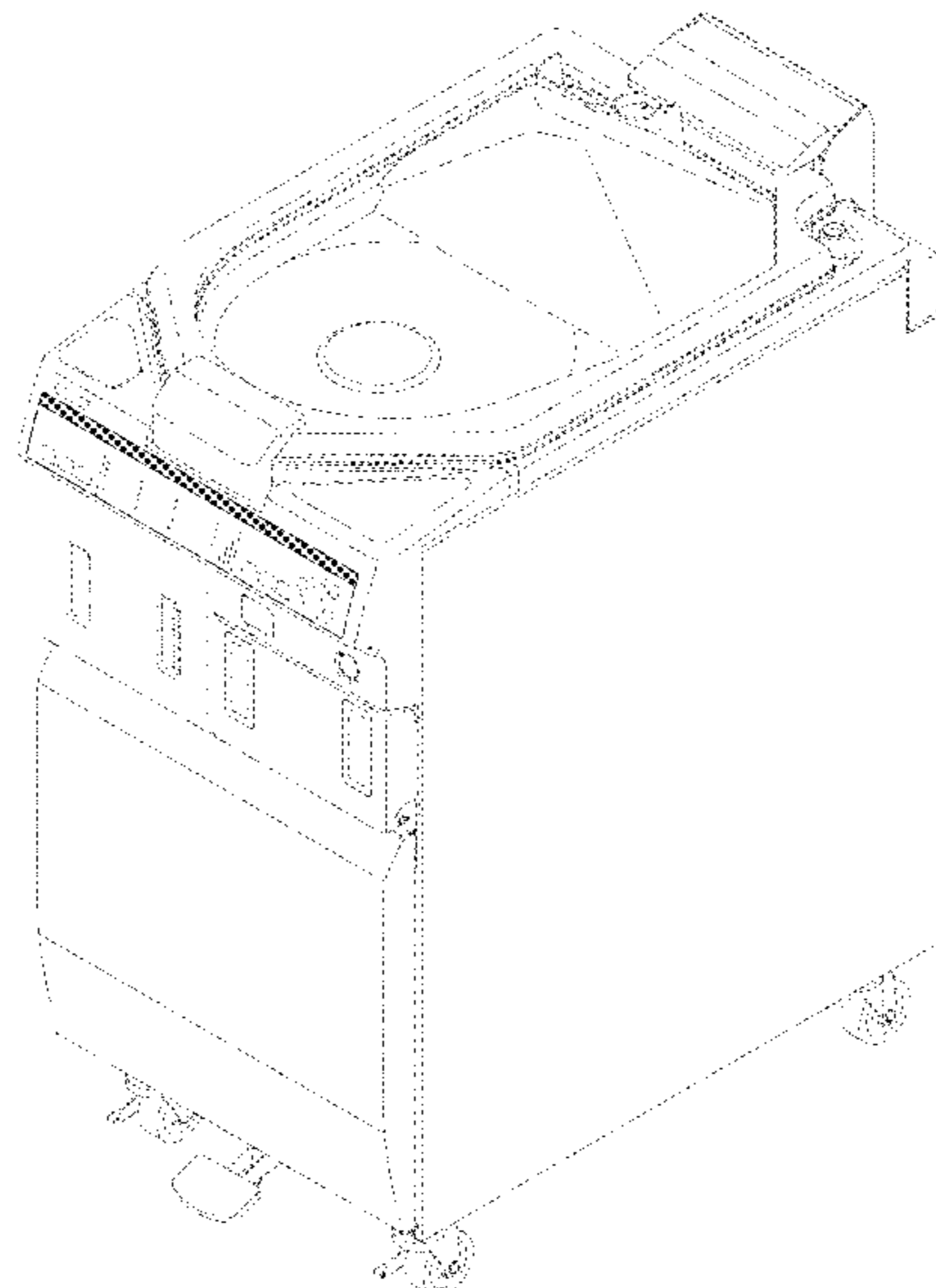
(57) **CLAIM**

The ornamental design for a medical cleaning and disinfection apparatus, as shown and described.

**DESCRIPTION**

FIG. 1 is a perspective view of a medical cleaning and disinfection apparatus, showing my new design;  
FIG. 2 is a front view thereof;  
FIG. 3 is a rear view thereof;  
FIG. 4 is a top view thereof;  
FIG. 5 is a bottom view thereof;  
FIG. 6 is a left side view thereof; and,  
FIG. 7 is a right side view thereof.  
The broken lines show portions of the medical cleaning and disinfection apparatus that form no part of the claimed design.

**1 Claim, 7 Drawing Sheets**



(56)

**References Cited**

U.S. PATENT DOCUMENTS

D711,605 S \* 8/2014 Jo ..... D32/25  
 D726,816 S \* 4/2015 Ehrlich ..... D19/9  
 D734,388 S \* 7/2015 Lin ..... D19/10  
 D747,956 S \* 1/2016 Ratigan ..... D8/356  
 9,278,149 B2 \* 3/2016 Suzuki ..... A61L 2/18  
 D776,293 S \* 1/2017 Cerasi ..... D24/217  
 D848,624 S \* 5/2019 Quintero ..... D24/189  
 2008/0115814 A1 \* 5/2008 Hasegawa ..... A61B 1/123  
 134/56 R  
 2008/0271270 A1 \* 11/2008 Sawada ..... A61B 90/70  
 15/1  
 2014/0256025 A1 \* 9/2014 Esquenet ..... C11D 3/38645  
 435/264  
 2014/0326282 A1 \* 11/2014 Kawachi ..... A61B 19/34  
 134/99.1  
 2016/0302654 A1 \* 10/2016 Ogawa ..... B08B 3/102  
 2017/0036253 A1 \* 2/2017 Lukac ..... A61L 2/0029

OTHER PUBLICATIONS

2014 Endoscope Product Spotlights, posted at hpnonline.com, Nov. 2014 issue, [online], [site visited Nov. 14, 2017]. Available from Internet: URL: <https://www.hpnonline.com/inside/2014-11/1411-EndoSpots.html> (Year: 2014).\*

Motorcycle Warning Service Tank Badge Sticker Decal Label Racing Waterproof, posted at alexnld.com, no posting date, retrieved Jan. 7, 2021, online, URL: <https://alexnld.com/product/motorcycle-warning-service-tank-badge-sticker-decal-label-racing-waterproof/> (Year: 2021).\*

Funny Warning Sticker Set,, posted at etsy.com, first reviewed Dec. 17, 2018, retrieved Jan. 7, 2021, online, URL: <https://www.etsy.com/uk/listing/622296942/funny-warning-sticker-set-label-vinyl> (Year: 2018).\*

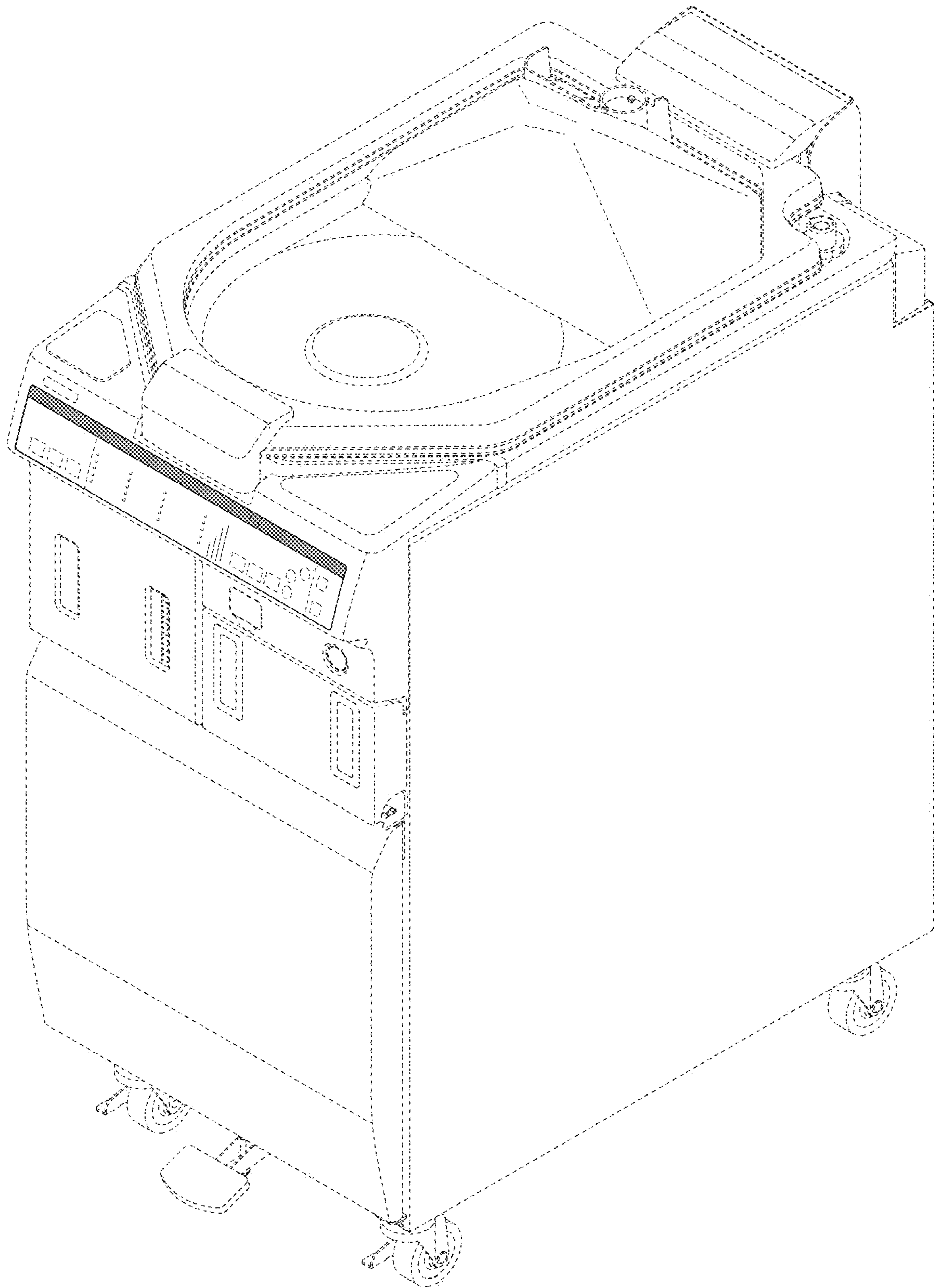
89 Octane or Higher Gas Gasoline Fuel Tank Printed Warning Label Sticker Decal, posted at amazon.com, first available Mar. 17, 2020, retrieved Jan. 7, 2021, online, URL: [https://www.amazon.com/Octane-Gasoline-Printed-Warning-Sticker/dp/B0861H9VC9/ref=sr\\_1\\_30?dchild](https://www.amazon.com/Octane-Gasoline-Printed-Warning-Sticker/dp/B0861H9VC9/ref=sr_1_30?dchild) (Year: 2020).\*

Displaying Dialogs and Alerts, posted at developer.apple.com, last updated Jun. 13, 2016, retrieved Jan. 7, 2021, online, URL: <https://developer.apple.com/library/archive/documentation/LanguagesUtilities/Conceptual/MacAutomationScriptingGuide/DisplayDialogsandAlerts.html> (Year: 2016).\*

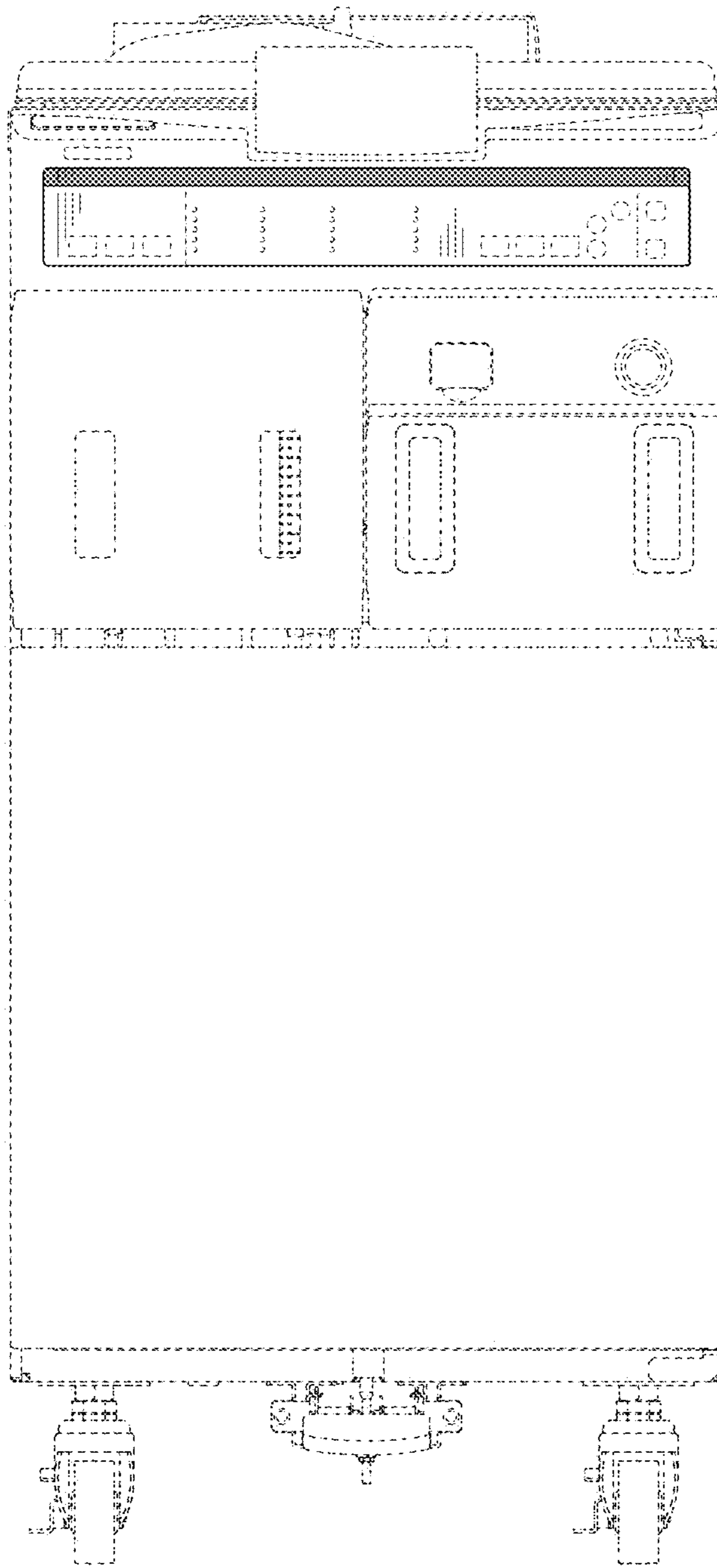
How to Enable the Root User in Mac OSX, posted at macinstruct.com, published Nov. 27, 2011, retrieved Jan. 7, 2021, online, URL: <https://www.macinstruct.com/tutorials/how-to-enable-the-root-user-in-mac-os-x/> (Year: 2011).\*

Thai Warning Sticker, posted at lazada.com, first reviewed Feb. 24, 2020, retrieved Jan. 7, 2020, online, URL: <https://www.lazada.com.ph/products/thai-warning-sticker-i577388494.html> (Year: 2020).\*

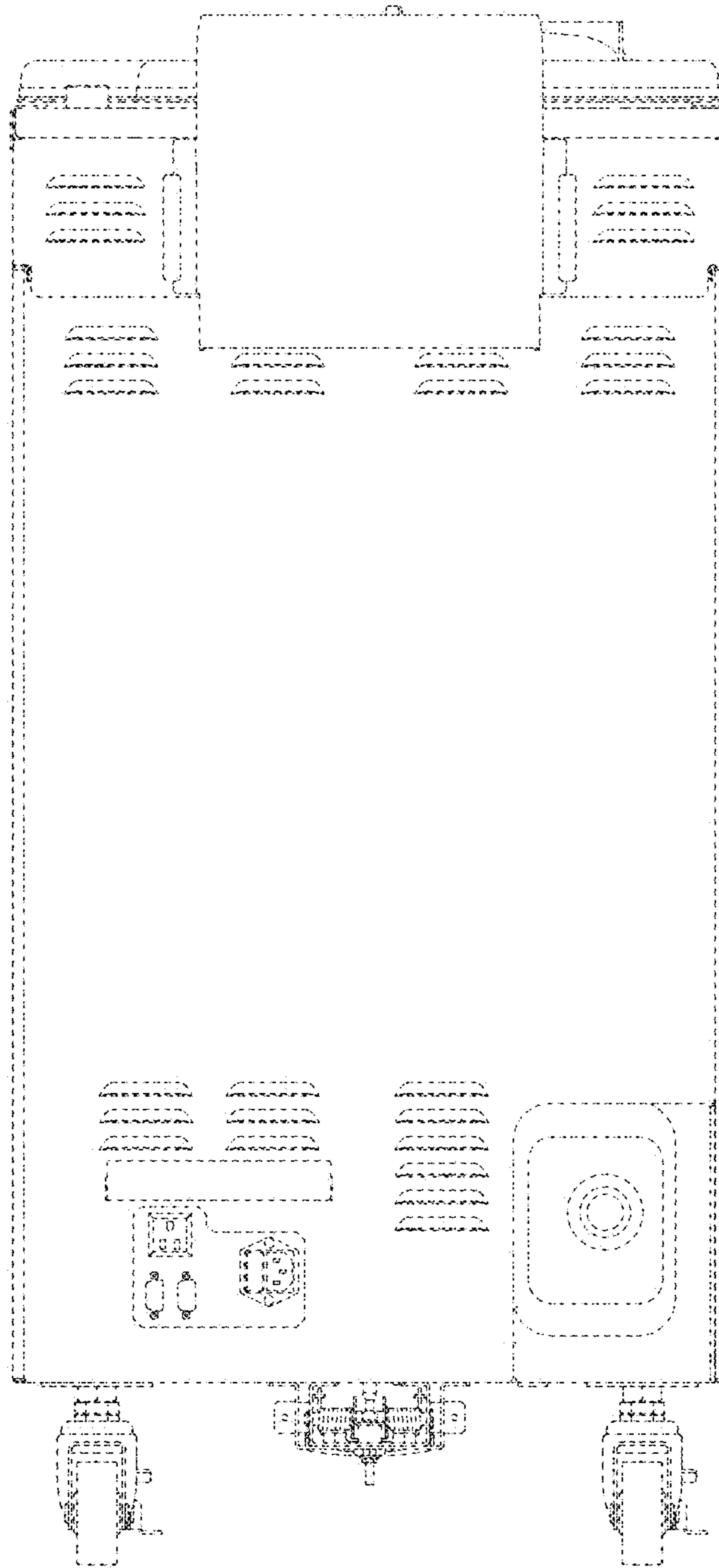
\* cited by examiner



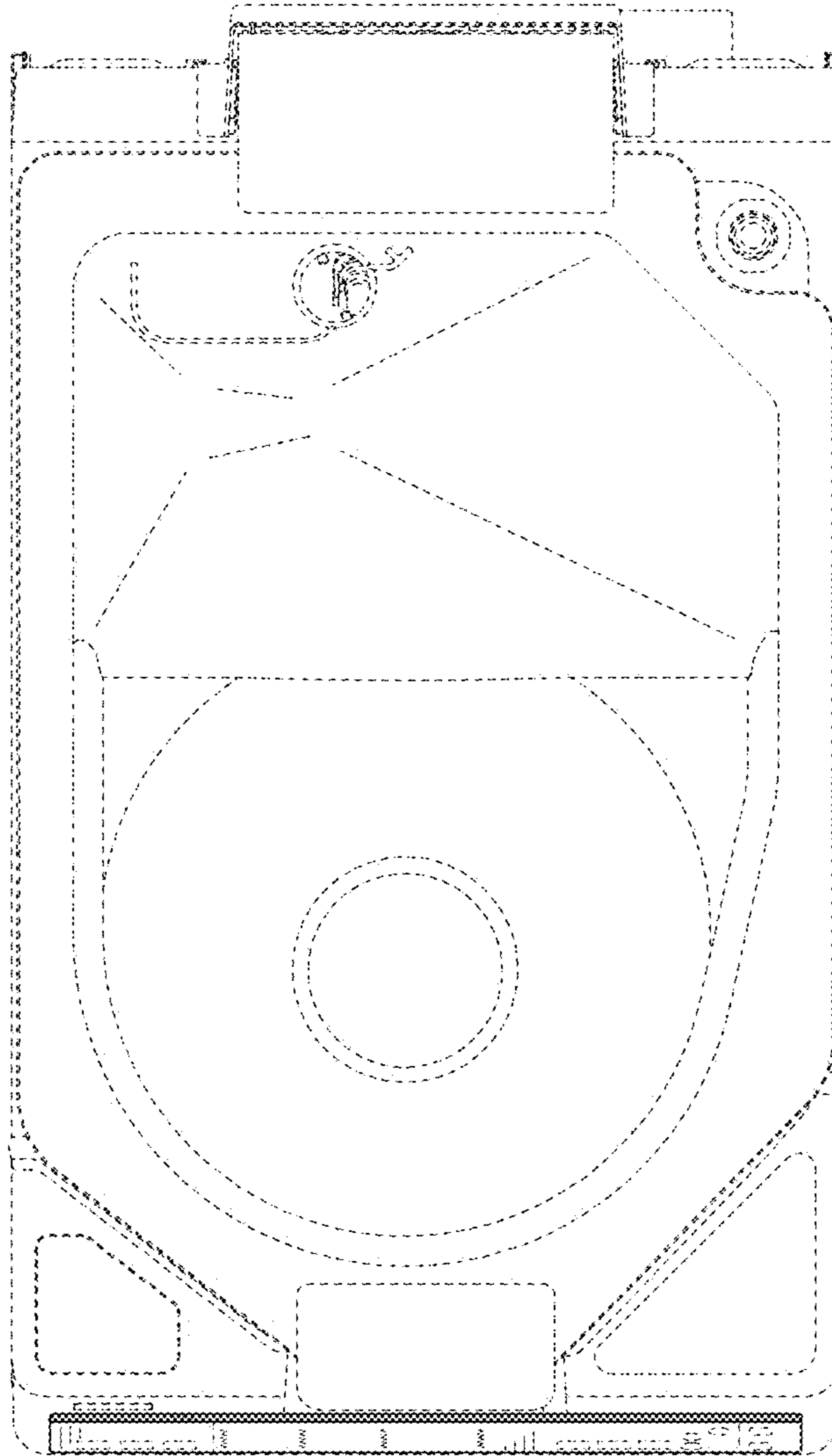
*Fig. 1*



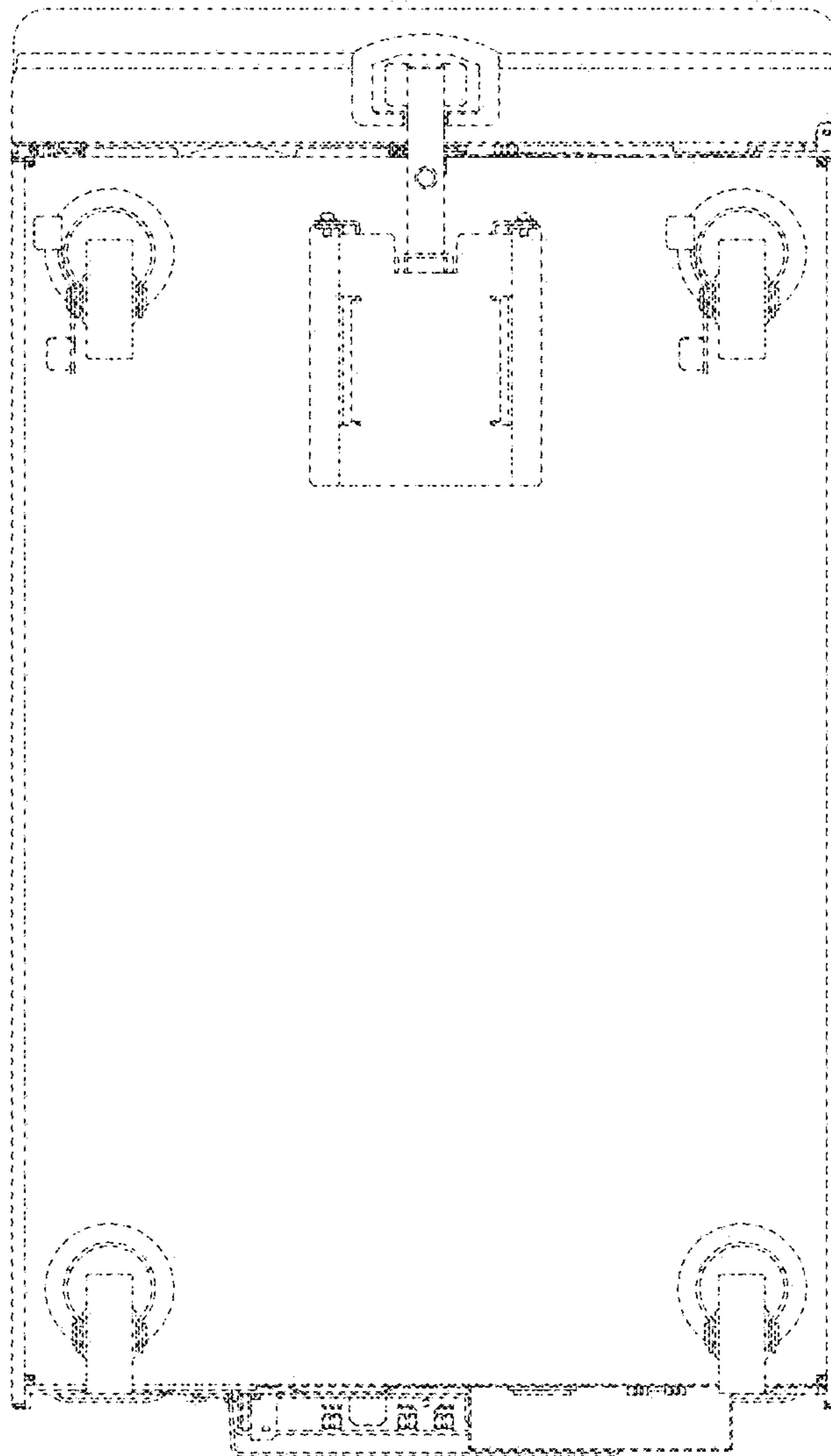
*Fig. 2*



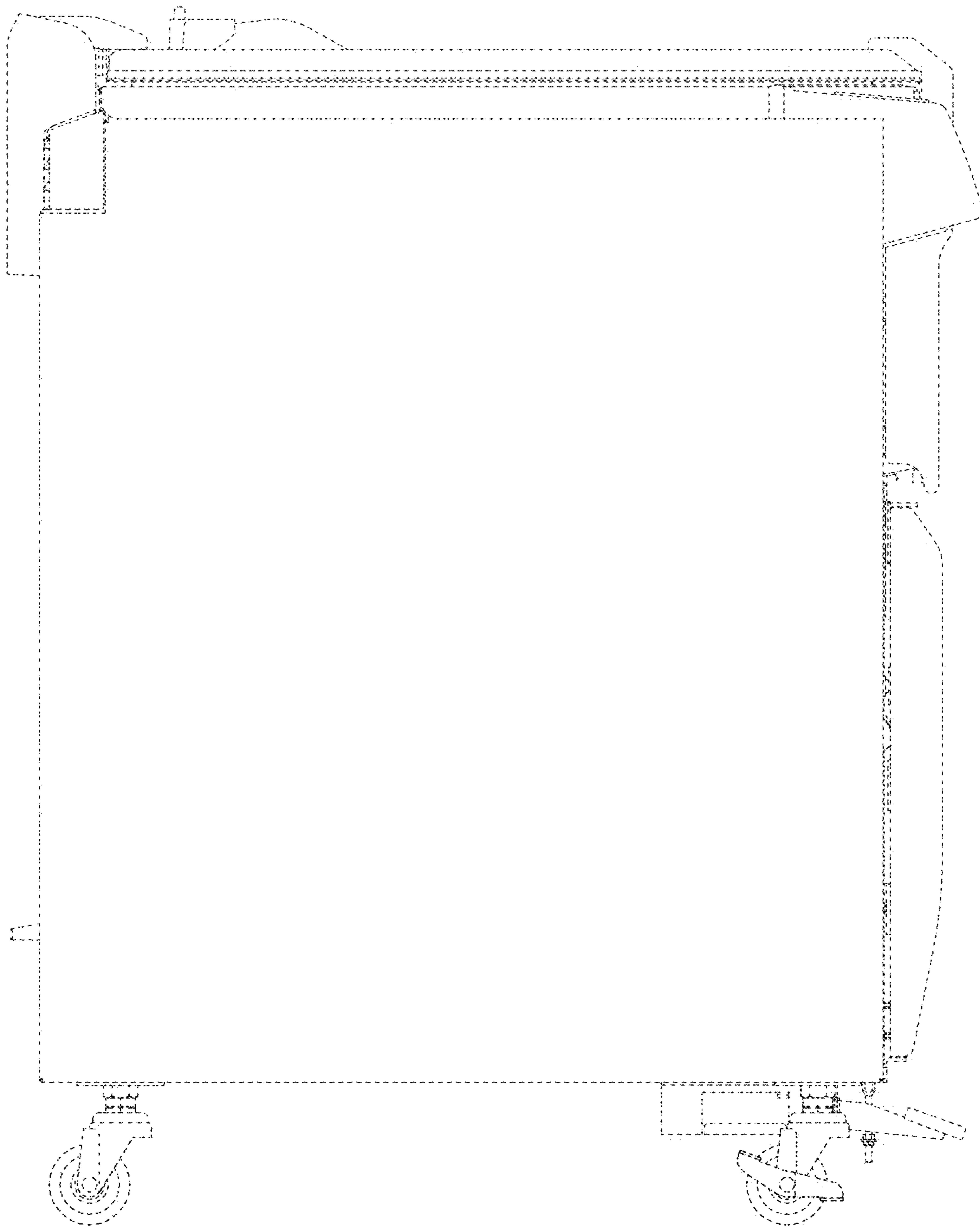
*Fig. 3*



*Fig. 4*

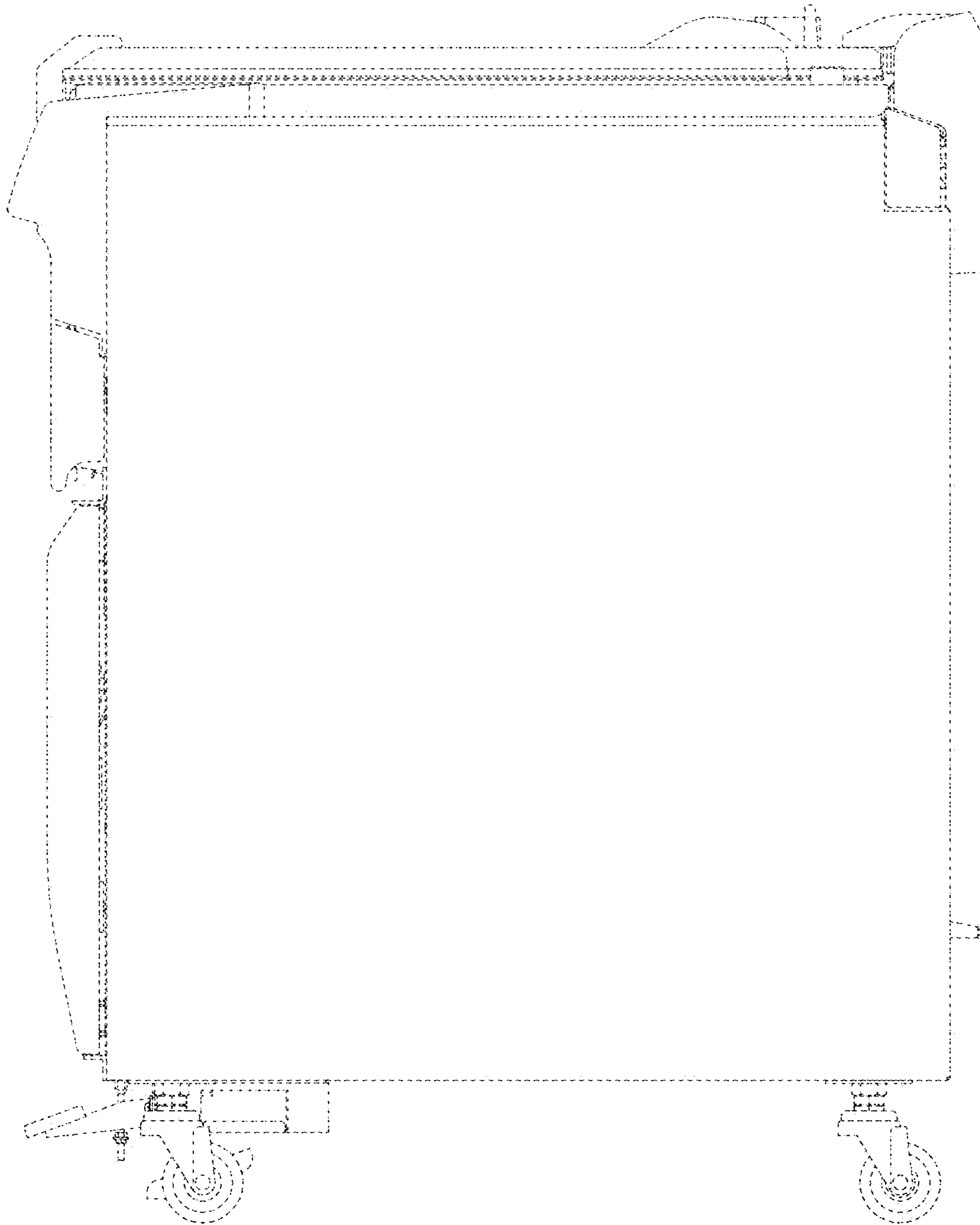


*Fig. 5*



*Fig. 6*





*Fig. 7*