



US00D957666S

(12) **United States Design Patent** (10) **Patent No.:** **US D957,666 S**
Nelsen (45) **Date of Patent:** **** Jul. 12, 2022**

(54) **SED RATE INSTRUMENT**
(71) Applicant: **ALCOR Scientific, Inc.**, Smithfield, RI (US)
(72) Inventor: **Daniel Joseph Nelsen**, Central Falls, RI (US)
(73) Assignee: **ALCOR Scientific, Inc.**, Smithfield, RI (US)

D774,205 S * 12/2016 Grace D24/169
D783,175 S 4/2017 Hosokawa et al.
D821,601 S 6/2018 Henderson
D848,880 S * 5/2019 Smith D24/234
D852,661 S 7/2019 Park et al.
D854,188 S 7/2019 Schaeken et al.
D854,703 S * 7/2019 Juhlin D24/216
D869,684 S 12/2019 Ma et al.
2010/0120129 A1 5/2010 Amshey et al.
2010/0273248 A1 * 10/2010 Ha F16K 3/246
435/287.3
2016/0228876 A1 8/2016 Chu et al.

(**) Term: **15 Years**
(21) Appl. No.: **29/799,230**
(22) Filed: **Jul. 13, 2021**

Related U.S. Application Data

(63) Continuation of application No. 29/665,305, filed on Oct. 2, 2018, now Pat. No. Des. 927,723.
(51) **LOC (13) Cl.** **24-01**
(52) **U.S. Cl.**
USPC **D24/216**
(58) **Field of Classification Search**
USPC D24/170, 177, 185, 186, 216–219, 225, D24/231–234; D10/81
CPC G01N 2035/00306; G01N 2035/00326; G01N 2035/00336; G01N 2035/00366; G01N 2035/00495; G01N 2035/00544; G01N 33/53; G01N 2035/00138; G01N 2035/00168
See application file for complete search history.

(56) **References Cited**

U.S. PATENT DOCUMENTS

D535,403 S 1/2007 Isozaki et al.
D549,827 S 8/2007 Maeno et al.
D640,378 S 6/2011 Okawa et al.
D674,912 S 1/2013 Osullivan et al.
D693,928 S 11/2013 Chung et al.
D694,899 S 12/2013 Cook et al.

OTHER PUBLICATIONS

MiniSED™, posted at alcorscientific.com, no posting date, retrieved Dec. 17, 2019, online, URL: <https://alcorscientific.com/clinical-laboratory/miniised-2/> (Year: 2019).

* cited by examiner

Primary Examiner — Lilyana Bekic
Assistant Examiner — Mary Shannon Malley
(74) *Attorney, Agent, or Firm* — Adler Pollock & Sheehan P.C

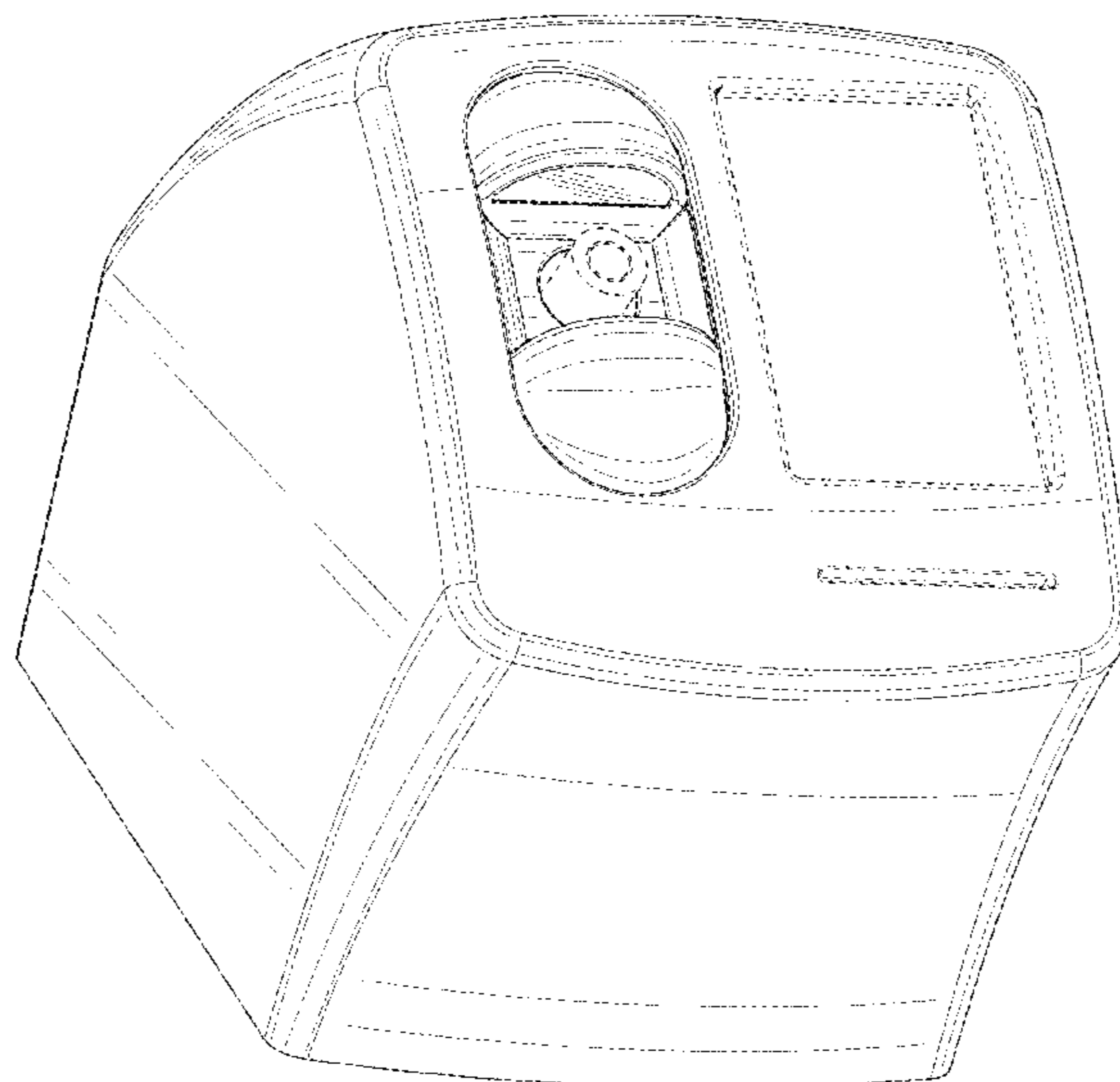
(57) **CLAIM**

The ornamental design for a SED rate instrument, as shown and described.

DESCRIPTION

FIG. 1 is a perspective view of a SED rate instrument in accordance with the subject disclosure.
FIG. 2 is a front view thereof.
FIG. 3 is a rear view thereof.
FIG. 4 is a right side view thereof.
FIG. 5 is a left side view thereof.
FIG. 6 is a top view thereof; and,
FIG. 7 is a bottom view thereof.
The broken lines depict portions of the SED rate instrument that form no part of the claimed design.

1 Claim, 7 Drawing Sheets



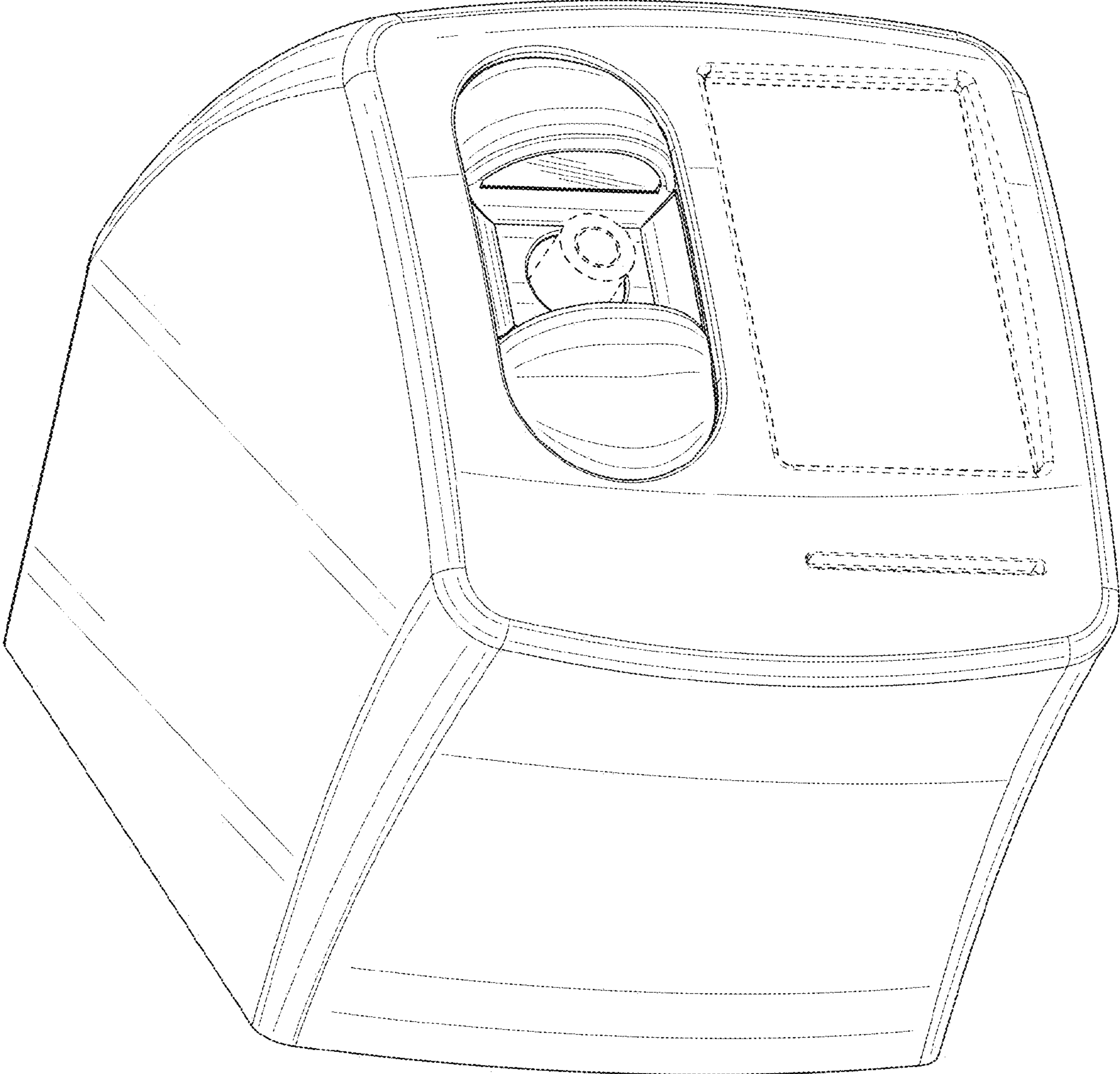


FIG. 1

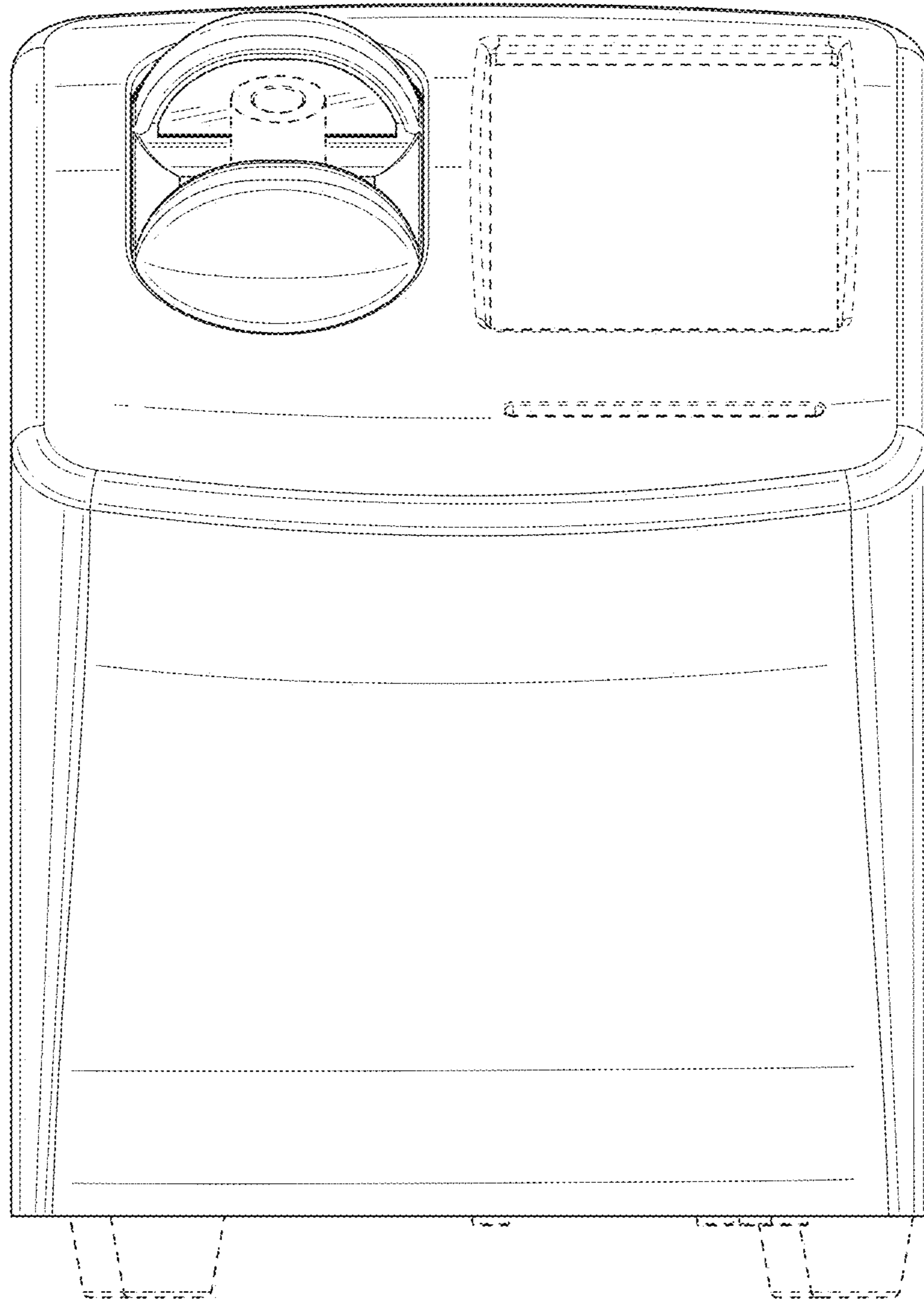


FIG. 2

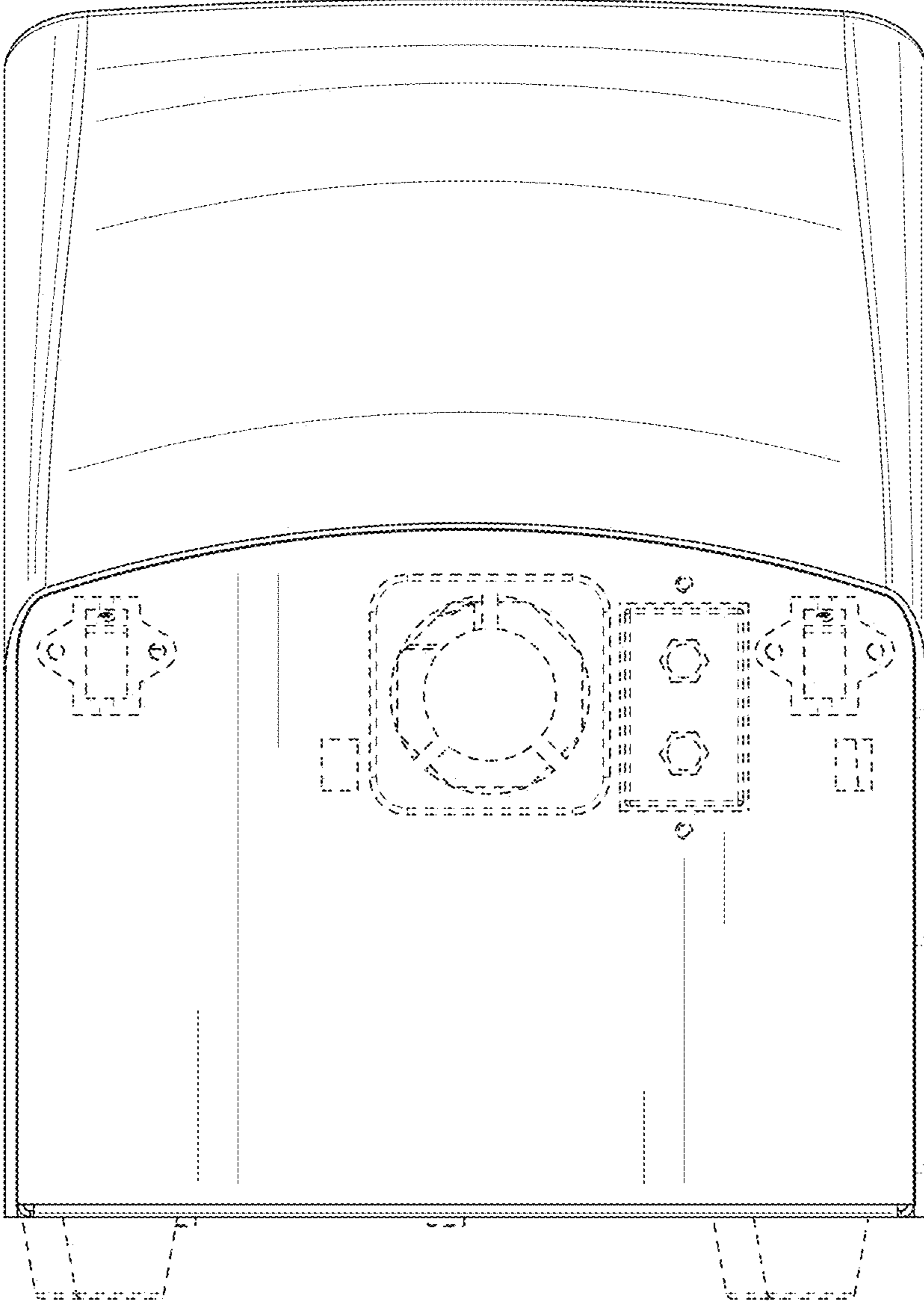


FIG. 3

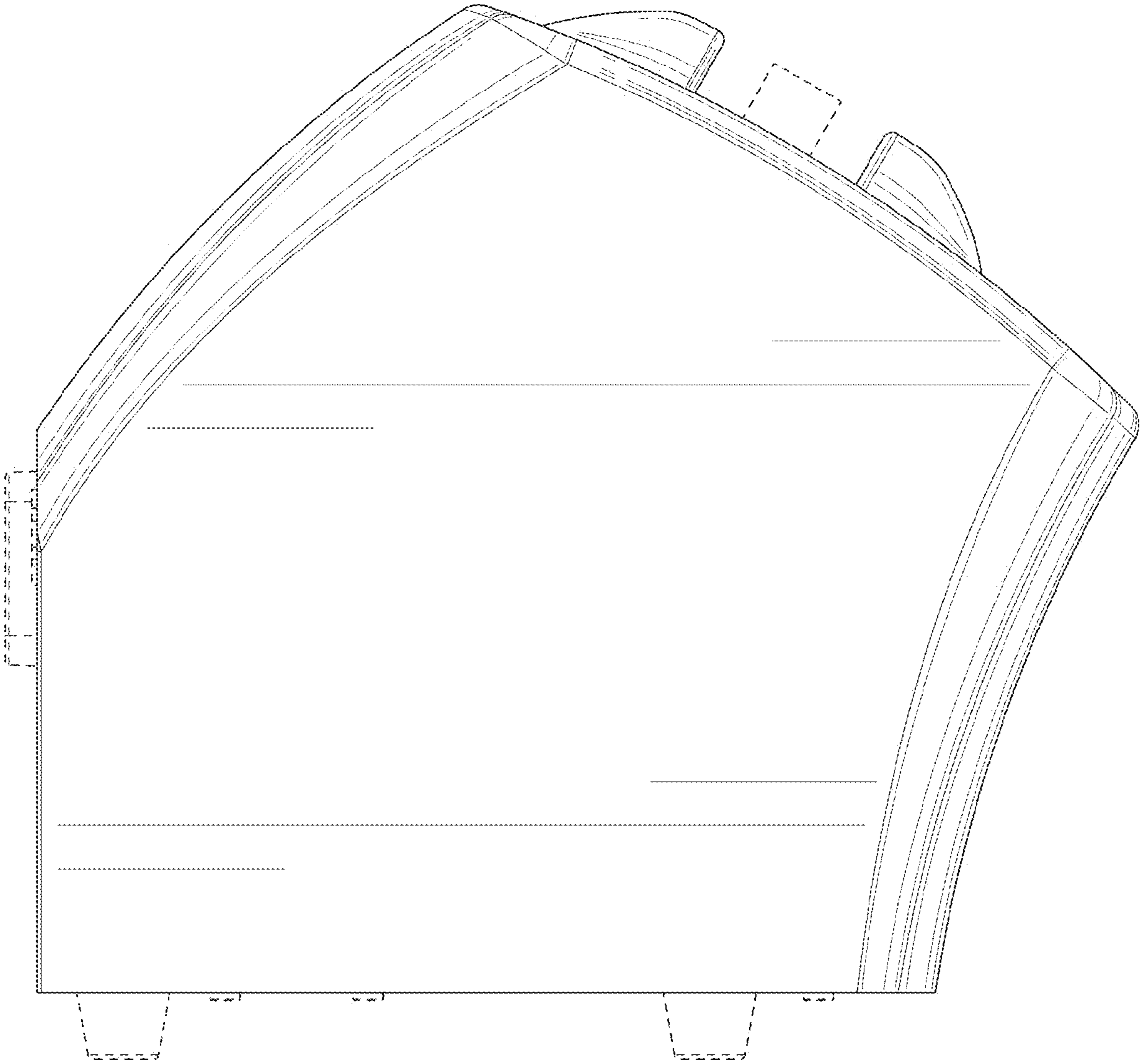


FIG. 4

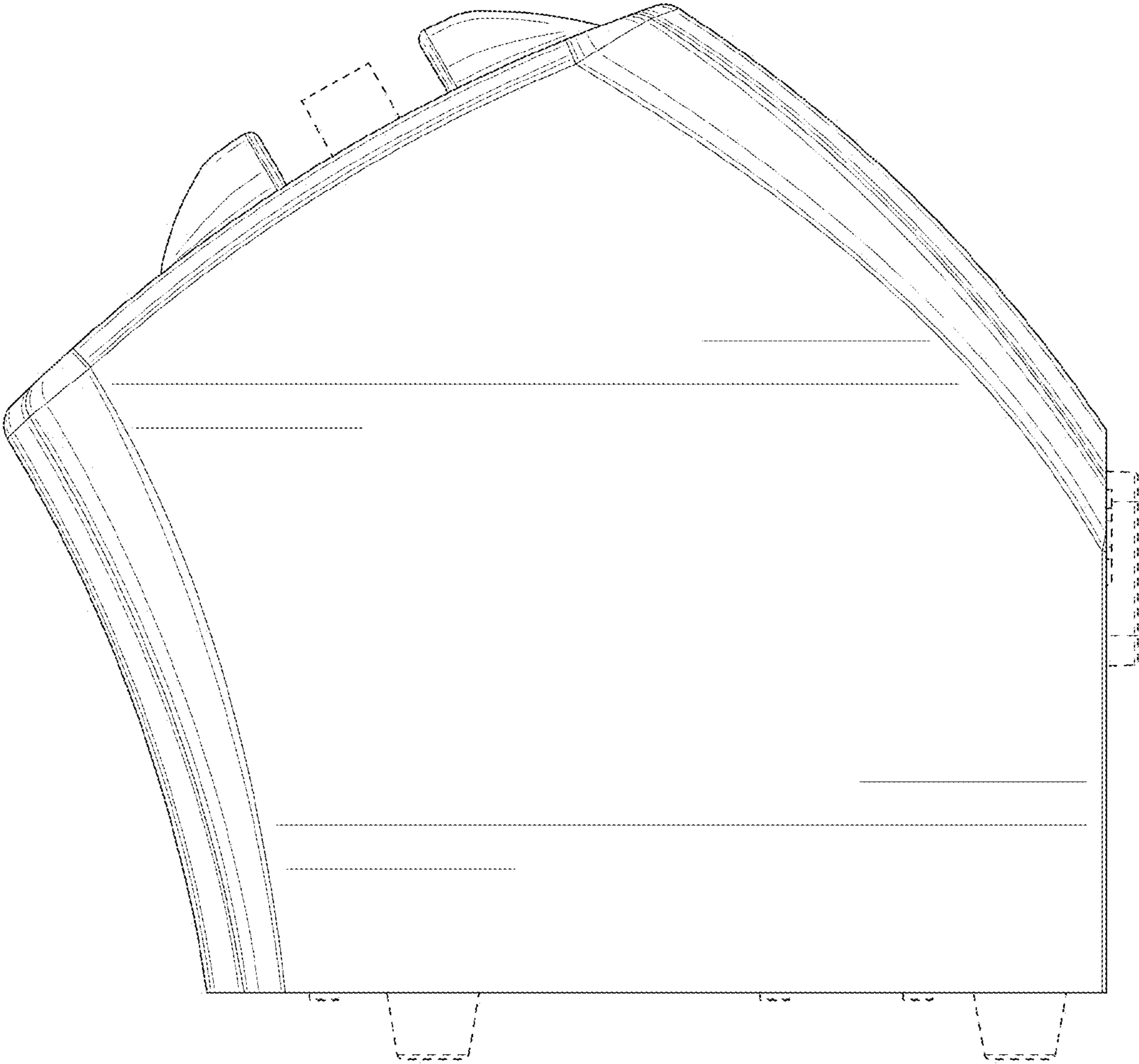


FIG. 5

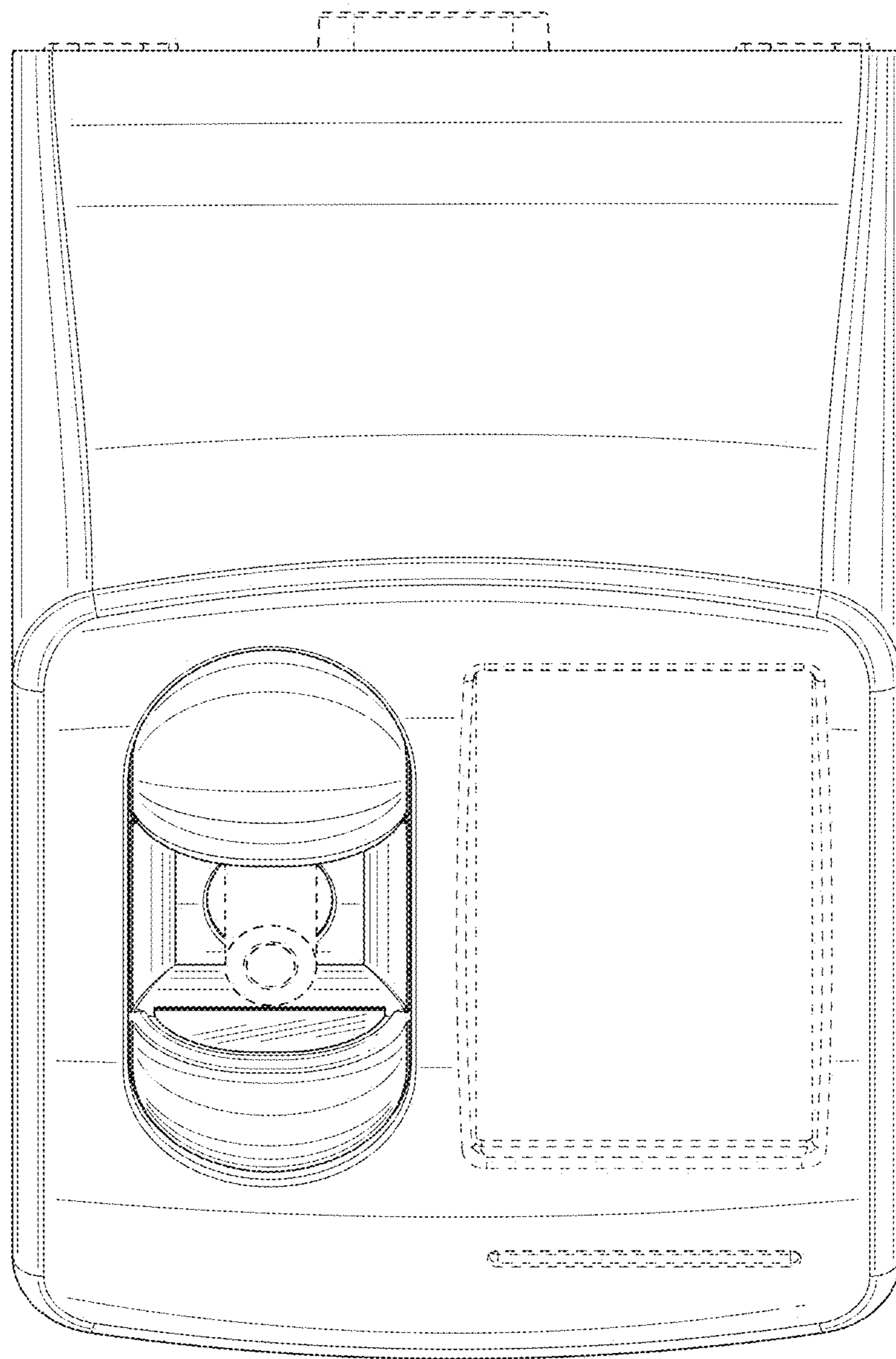


FIG. 6

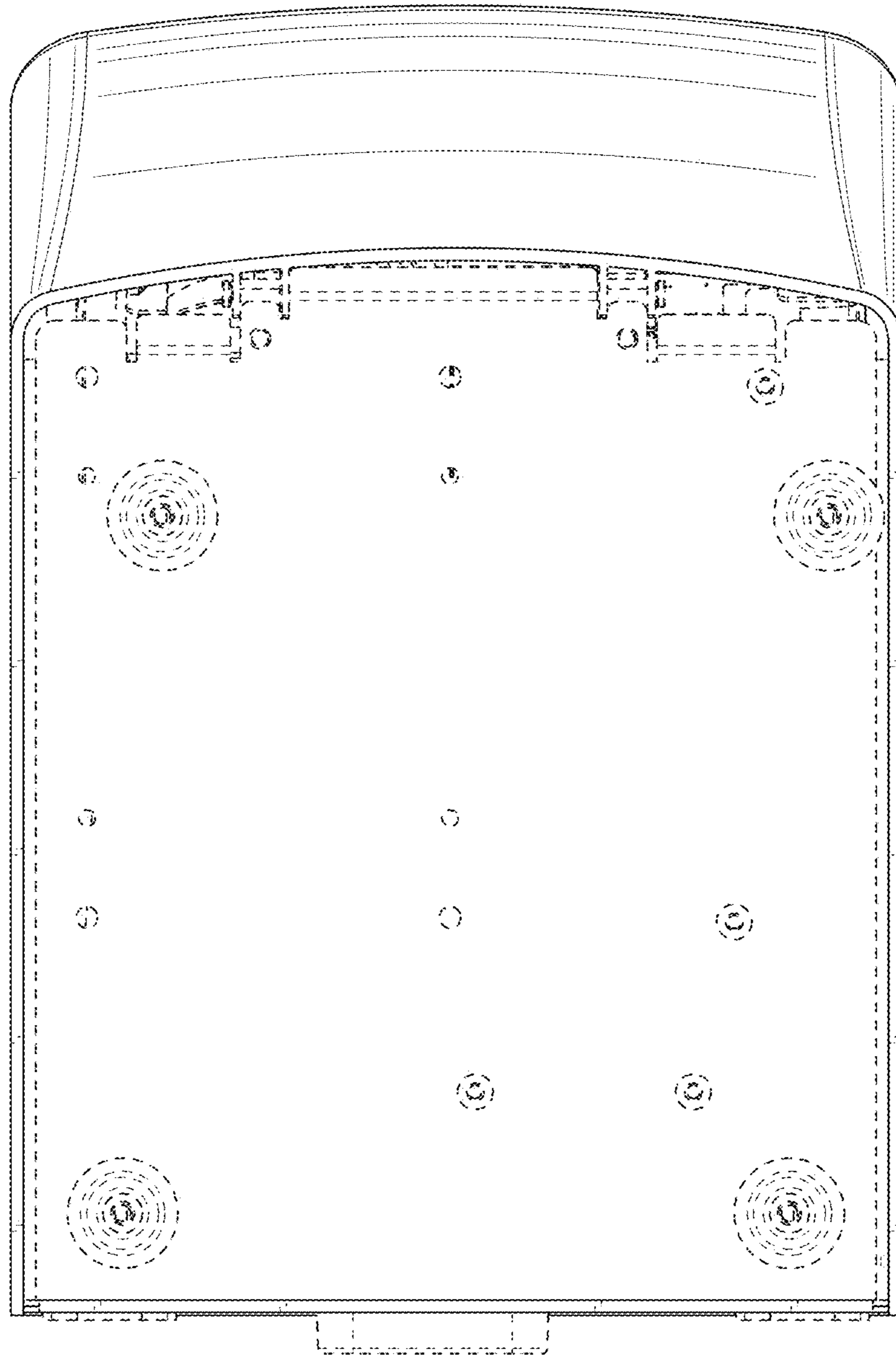


FIG. 7