



US00D957663S

(12) **United States Design Patent** (10) **Patent No.:** **US D957,663 S**
Lebovic (45) **Date of Patent:** **** Jul. 12, 2022**

(54) **FOAM ROLLER**
(71) Applicant: **BAGSHOP 181 LIMITED**, Brooklyn, NY (US)
(72) Inventor: **Joseph Lebovic**, Brooklyn, NY (US)
(**) Term: **15 Years**
(21) Appl. No.: **29/821,242**
(22) Filed: **Dec. 28, 2021**

D833,027 S * 11/2018 Viner D24/211
D833,635 S * 11/2018 Chen D24/214
D845,498 S * 4/2019 Johnson D24/211
D863,579 S * 10/2019 Wang D21/691
D872,198 S * 1/2020 Kim D21/662
D876,657 S * 2/2020 Lin D24/211
D882,805 S * 4/2020 Lien D24/211
D884,804 S * 5/2020 Ross D24/211
D886,314 S * 6/2020 Morris D24/211
D886,315 S * 6/2020 Hicken D24/211
D900,258 S * 10/2020 Lin D21/691
D919,107 S * 5/2021 Huang D24/211
2018/0049941 A1 * 2/2018 Venezia A61N 5/06

* cited by examiner

Related U.S. Application Data

(62) Division of application No. 29/703,318, filed on Aug. 26, 2019, now Pat. No. Des. 949,359.
(51) **LOC (13) Cl.** **28-03**
(52) **U.S. Cl.**
USPC **D24/211**
(58) **Field of Classification Search**
USPC D12/178; D23/266; D24/133, 186, 200,
D24/211, 212, 213, 214, 215; D30/160;
D21/691
CPC A61H 2015/0014; A61H 15/00; A61H
2015/0007; A61H 2015/0042
See application file for complete search history.

Primary Examiner — Michael A Maharajh
(74) *Attorney, Agent, or Firm* — Bochner IP, PLLC;
Andrew D. Bochner

(57) **CLAIM**

The ornamental design for a foam roller, as shown and described.

DESCRIPTION

FIG. 1 is a top, front, right perspective view of the foam roller;
FIG. 2 is a front elevational view thereof;
FIG. 3 is a back elevational view thereof;
FIG. 4 is a right-side elevational view thereof;
FIG. 5 is a left-side elevational view thereof;
FIG. 6 is a top plan view thereof; and,
FIG. 7 is a bottom plan view thereof.

The broken lines shown in the drawings are for the purpose of illustrating portions of the foam roller, which form no part of the claimed design.

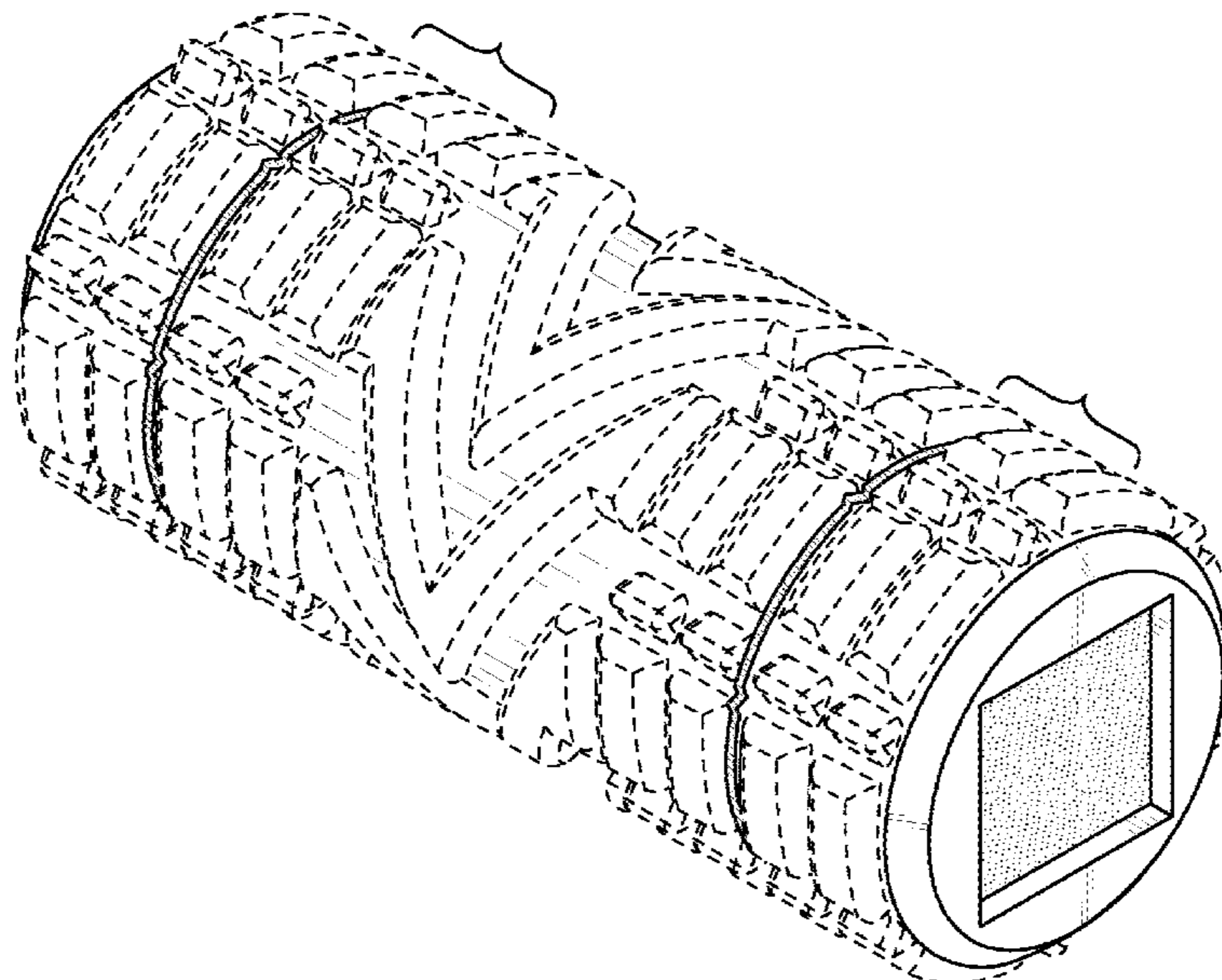
The foam roller is shown with portions cut away (indicated by break lines and brackets) to indicate a non-specified length. The appearance of any portion of the foam roller between the break lines forms no part of the claimed design.

1 Claim, 4 Drawing Sheets

(56) **References Cited**

U.S. PATENT DOCUMENTS

D660,450 S * 5/2012 Johnson D24/215
D693,934 S * 11/2013 Lin D24/215
D713,050 S * 9/2014 Kao A61H 15/00
D24/211
D737,456 S * 8/2015 McDonough A61H 15/0092
D24/211
D749,233 S * 2/2016 Phillips A63B 23/03541
D24/211
D755,304 S * 5/2016 Ackerman D21/698
D788,313 S * 5/2017 Lawrie D24/211
D825,695 S * 8/2018 Kim D21/662



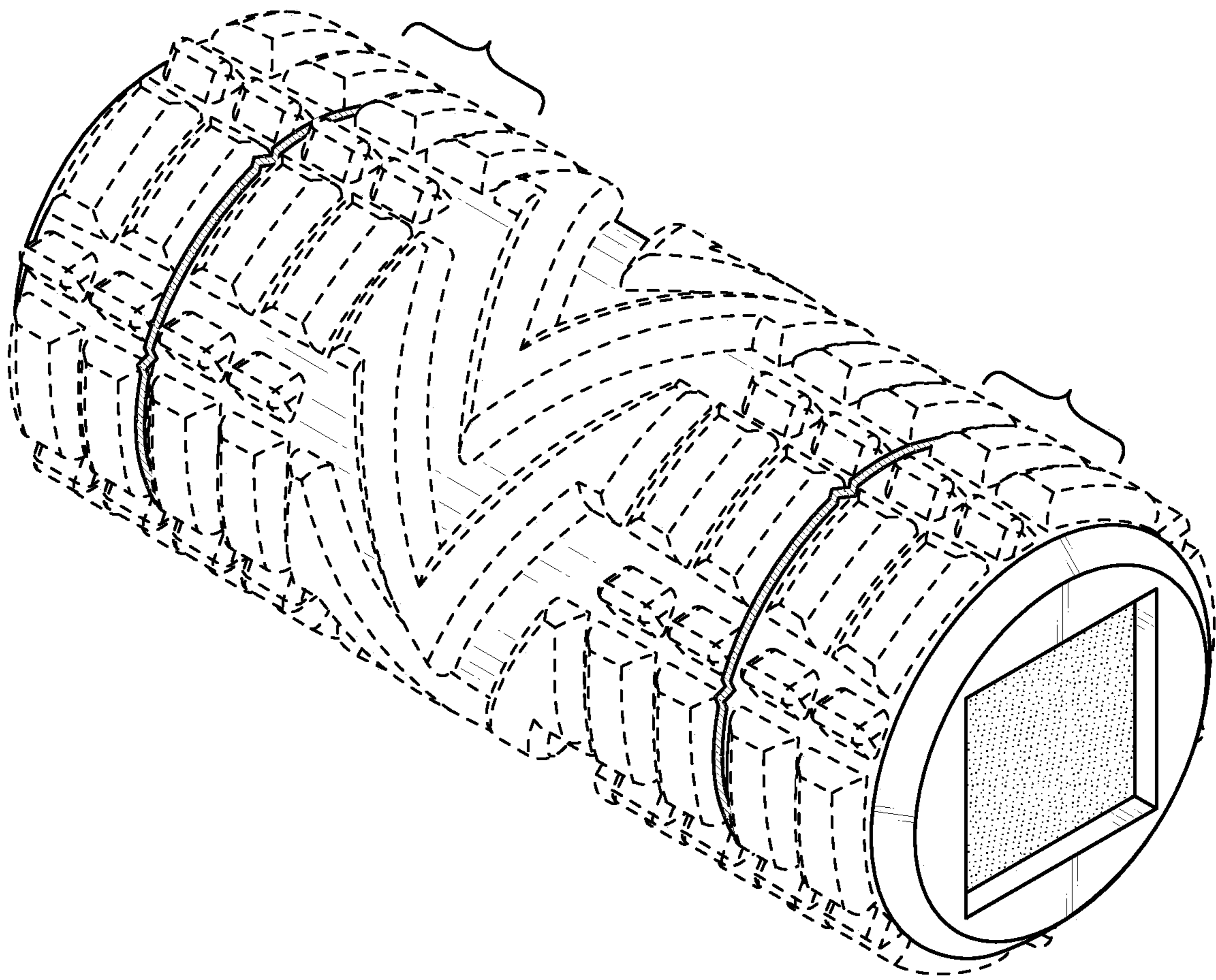


FIG. 1

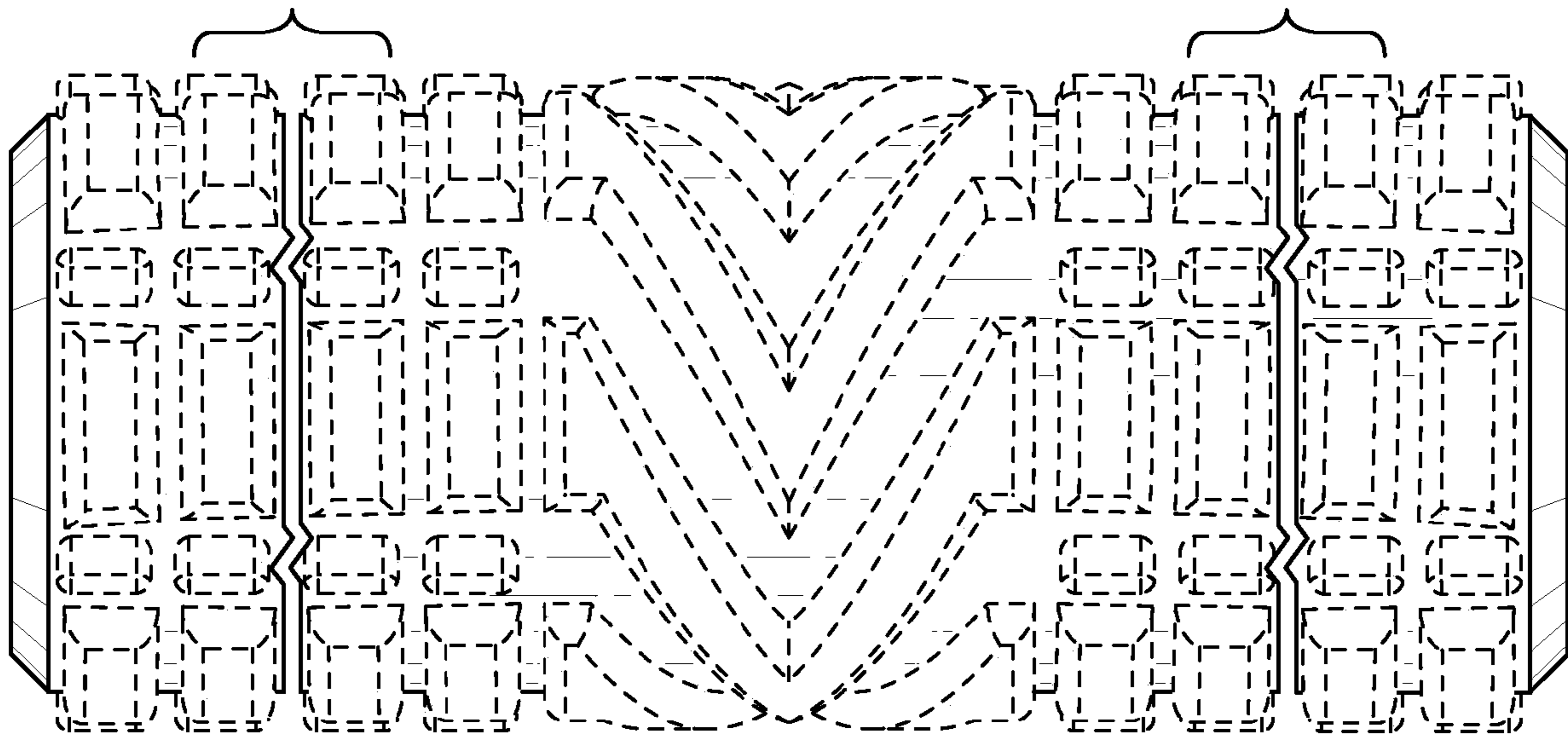


FIG. 2

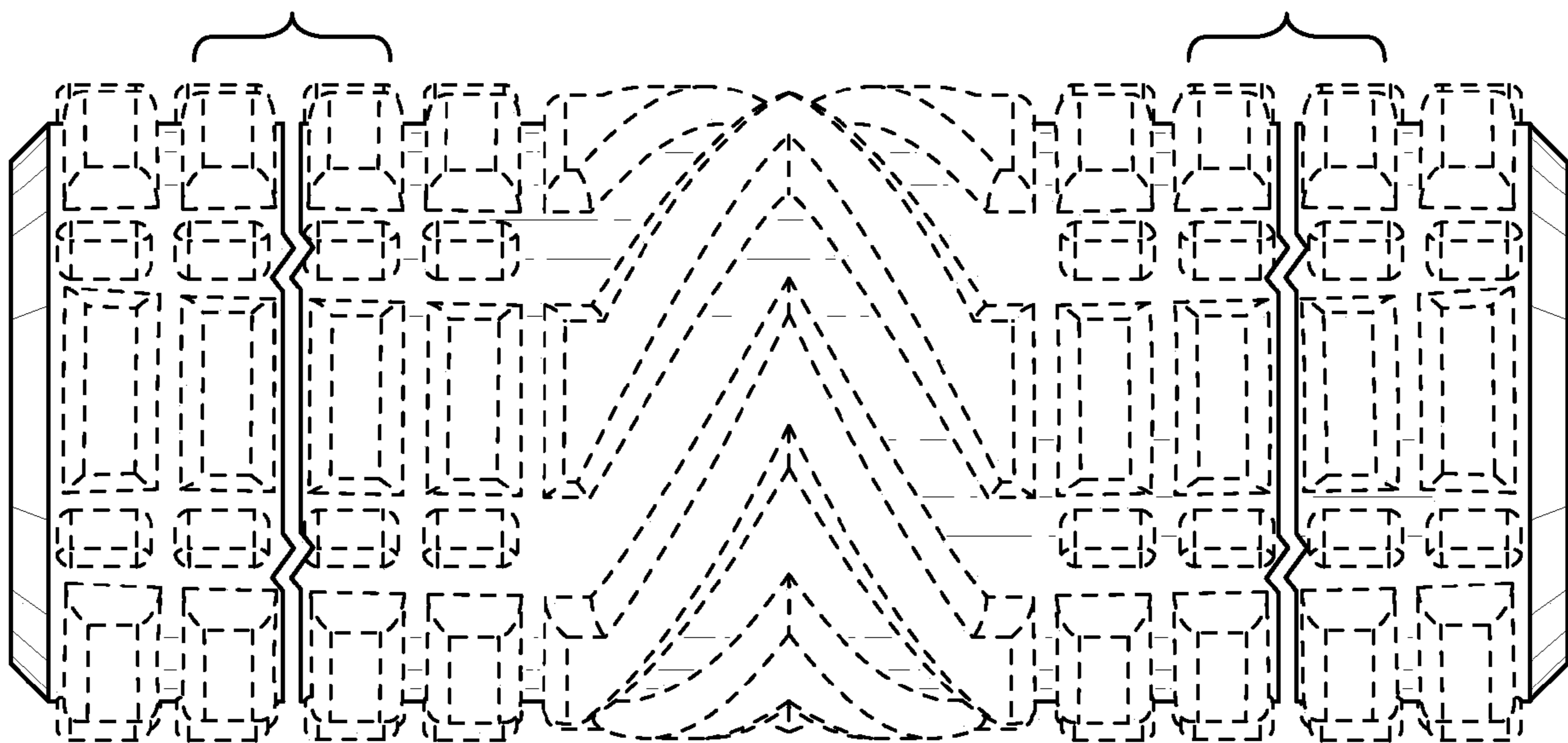


FIG. 3

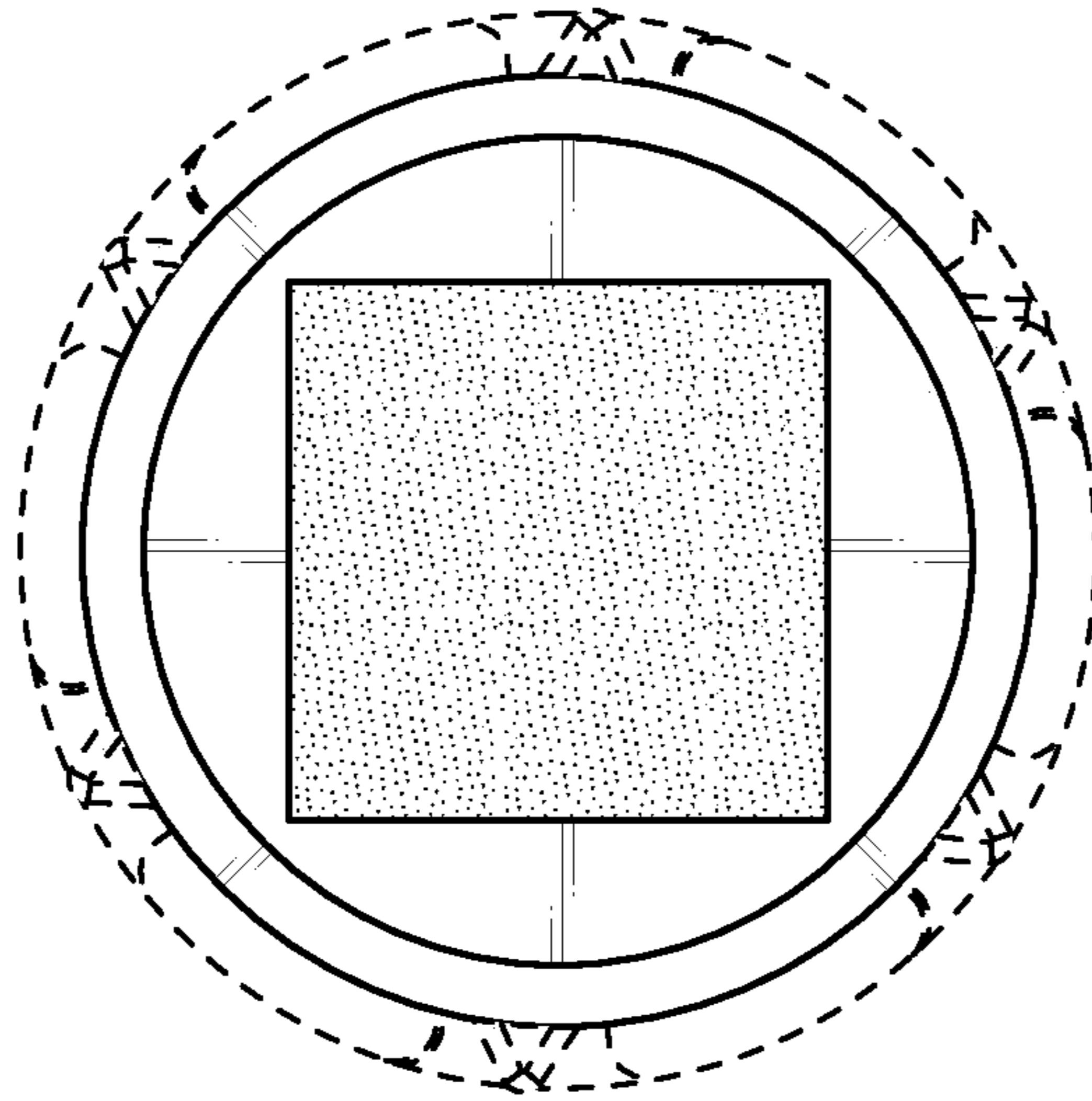


FIG. 4

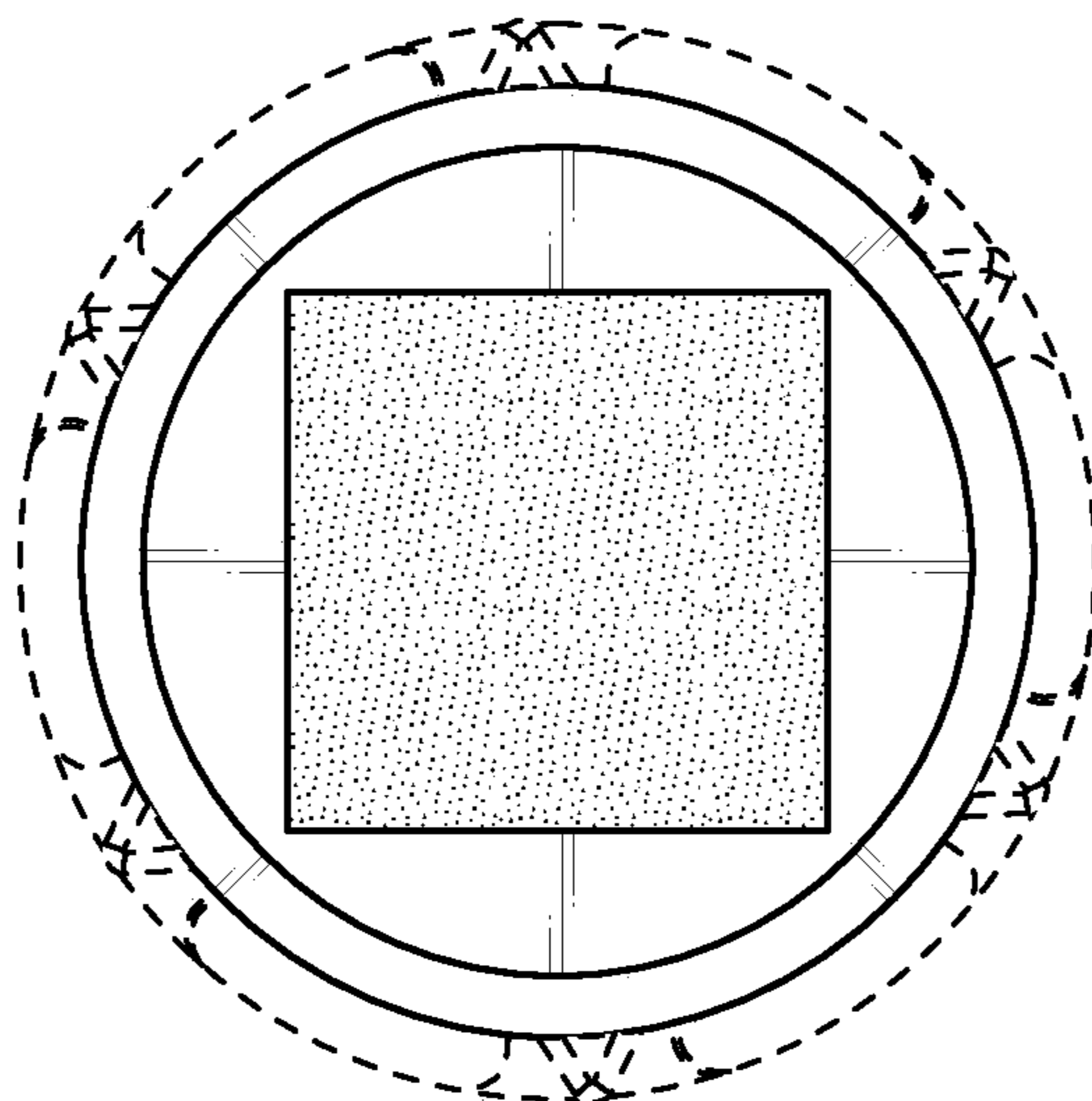


FIG. 5

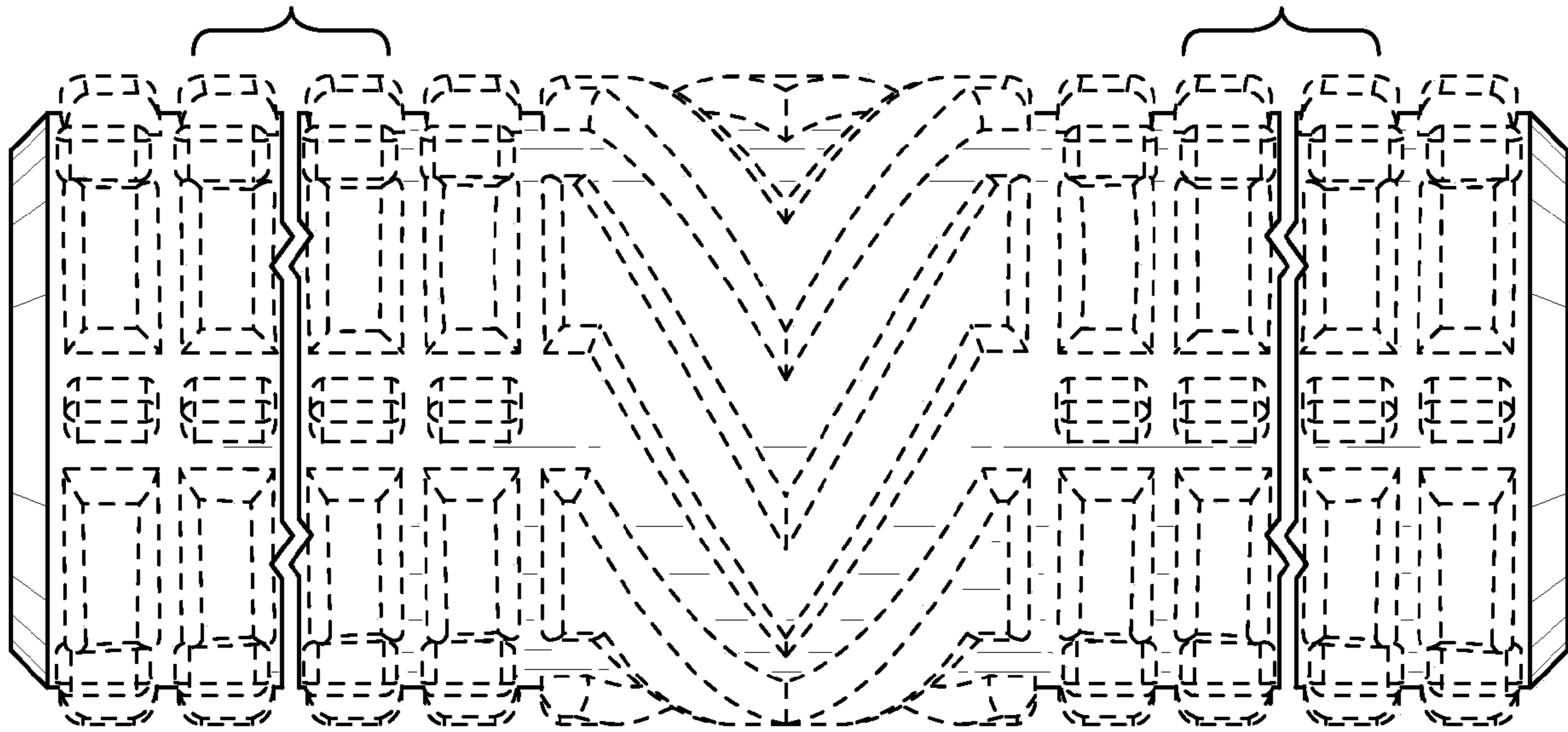


FIG. 6

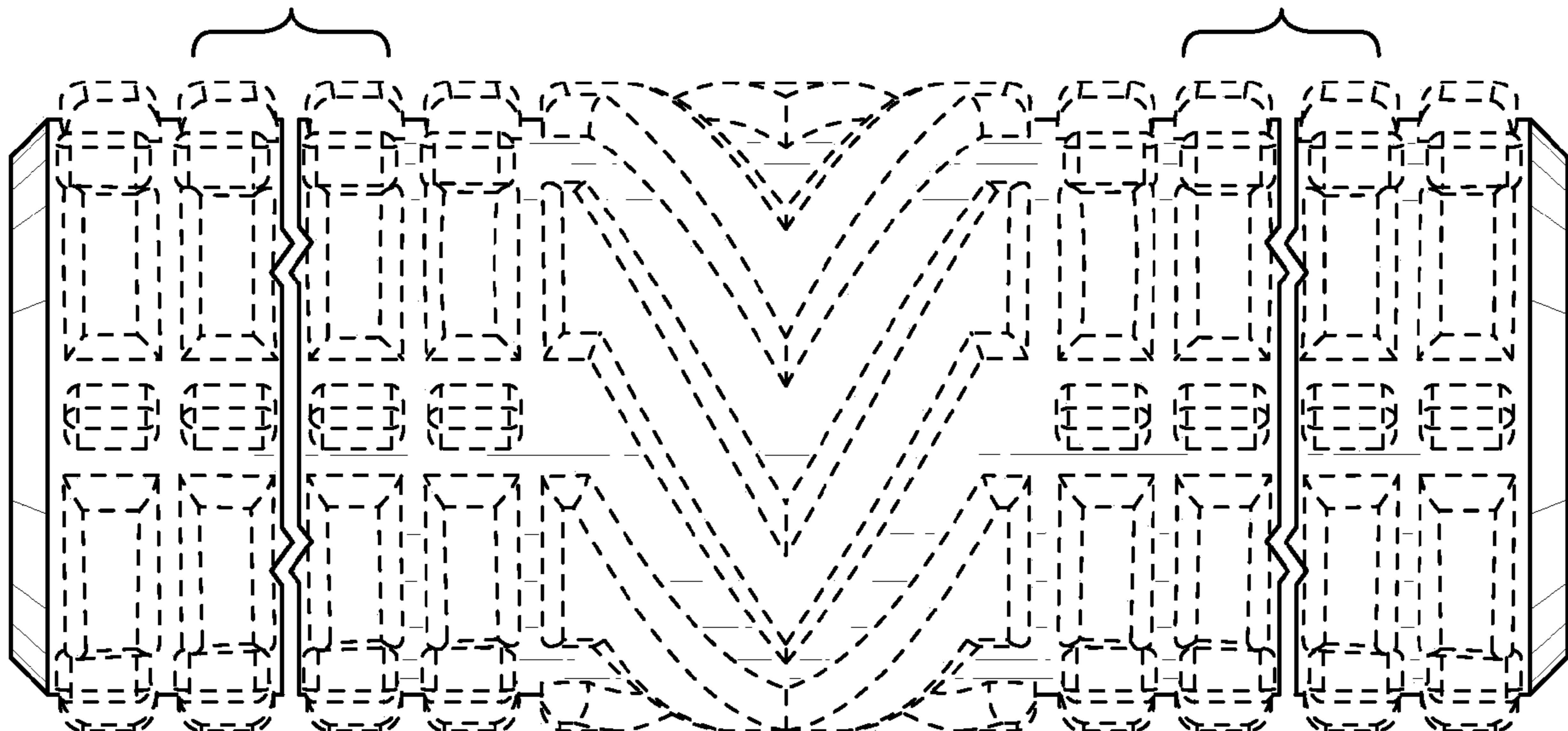


FIG. 7