



US00D957659S

(12) **United States Design Patent** (10) **Patent No.:** **US D957,659 S**  
**Loupis et al.** (45) **Date of Patent:** **\*\* Jul. 12, 2022**

(54) **HAND HELD ILLUMINATION DEVICE FOR PHOTOTHERAPY**

(71) Applicant: **KLOX TECHNOLOGIES INC.**,  
Laval (CA)  
(72) Inventors: **Nikolaos Loupis**, Athens (GR);  
**Remigio Piergallini**, San Benedetto del  
Tronto (IT); **David Ohayon**,  
Dollard-des-Ormeaux (CA); **Éric**  
**Desrosiers**, Outremont (CA); **Ricardo**  
**Garvao**, Dublin (IE); **Rasha Al**  
**Hashimi**, Brossard (CA)

(73) Assignee: **KLOX TECHNOLOGIES INC.**,  
Laval (CA)

(\*\*) Term: **15 Years**

(21) Appl. No.: **29/659,476**

(22) Filed: **Aug. 9, 2018**

(30) **Foreign Application Priority Data**

Feb. 19, 2018 (CA) ..... CA 179747

(51) **LOC (13) Cl.** ..... **24-01**

(52) **U.S. Cl.**  
USPC ..... **D24/209**

(58) **Field of Classification Search**  
USPC ..... D24/107, 186, 158, 231, 200, 209, 210,  
D24/133, 187, 152, 167, 214, 215;  
D26/29, 37, 39, 63, 104; D28/9, 44.1;  
D14/341, 138 R, 138 AA, 138 G  
CPC ..... A61N 5/0616; A61N 5/0618; A61N  
2005/0652; A61N 2005/0654; A61N  
2005/0642; A61N 2005/0627; A61N  
2005/0644; A61N 2005/0636; A61N  
2005/0626; A61B 2018/00452; A61B  
2018/1807

See application file for complete search history.

(56) **References Cited**

U.S. PATENT DOCUMENTS

D395,722 S \* 6/1998 Howard ..... D26/49  
D434,164 S \* 11/2000 Galli ..... D26/49  
D438,316 S \* 2/2001 Etter ..... D26/44  
D482,474 S \* 11/2003 Yen ..... D26/45  
7,345,320 B2 \* 3/2008 Dahm ..... A61C 19/003  
165/117  
D575,407 S \* 8/2008 Treadwell ..... D24/209  
D576,284 S \* 9/2008 Kennedy ..... D24/209  
D577,451 S \* 9/2008 Shiu ..... D26/49

(Continued)

OTHER PUBLICATIONS

A Wound Care Solution for Better Outcomes, posted at kloxtechnologies.com, no posting date, retrieved Apr. 14, 2021, online, URL: <https://www.kloxtechnologies.com/chronic-wounds/> (Year: 2021).\*

*Primary Examiner* — Mary Shannon Malley  
(74) *Attorney, Agent, or Firm* — BCF LLP

(57) **CLAIM**

The ornamental design for a hand held illumination device for phototherapy, as shown and described.

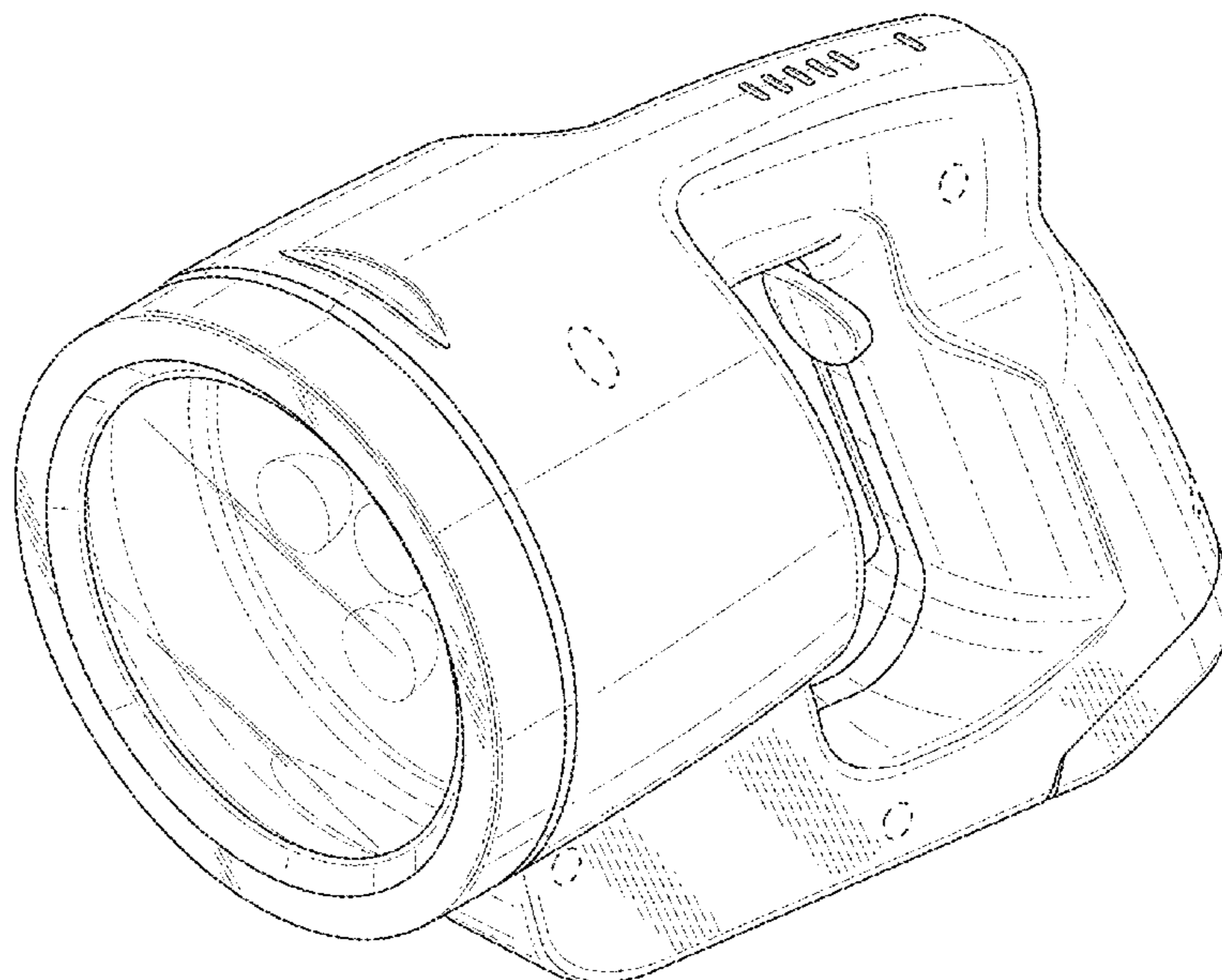
**DESCRIPTION**

FIG. 1 is a perspective view from the front, right side of a hand held illumination device for phototherapy according to the design;

FIG. 2 is a front view thereof;  
FIG. 3 is a back view thereof;  
FIG. 4 is a right side view thereof;  
FIG. 5 is a left side view thereof;  
FIG. 6 is a top view thereof; and,  
FIG. 7 is a bottom view thereof.

Throughout the Figures, where shown, the dashed lines are included for the purpose of illustrating portions of the article which form no part of the claimed design.

**1 Claim, 7 Drawing Sheets**



(56)

**References Cited**

U.S. PATENT DOCUMENTS

D579,135	S	*	10/2008	Shiu	.....	D26/49
D582,592	S	*	12/2008	Opolka	.....	D26/49
D612,510	S	*	3/2010	Byle	.....	D24/210
D617,482	S	*	6/2010	Garcia	.....	D26/49
D621,979	S	*	8/2010	Hesse	.....	D26/45
D651,321	S	*	12/2011	Marchese	.....	D24/209
D658,775	S	*	5/2012	Jiangminhui	.....	D24/210
D702,851	S	*	4/2014	Lee	.....	D24/209
D706,980	S	*	6/2014	Tasar	.....	D28/44.1
D740,945	S	*	10/2015	Booth	.....	D24/158
D747,520	S	*	1/2016	Hsu	.....	D26/37
D748,308	S	*	1/2016	Zhang	.....	D26/37
D797,335	S	*	9/2017	Brown	.....	D26/48
D906,563	S	*	12/2020	Muck	.....	D26/63
2009/0281048	A1	*	11/2009	Pitcher	.....	A61N 5/0616 514/26

\* cited by examiner

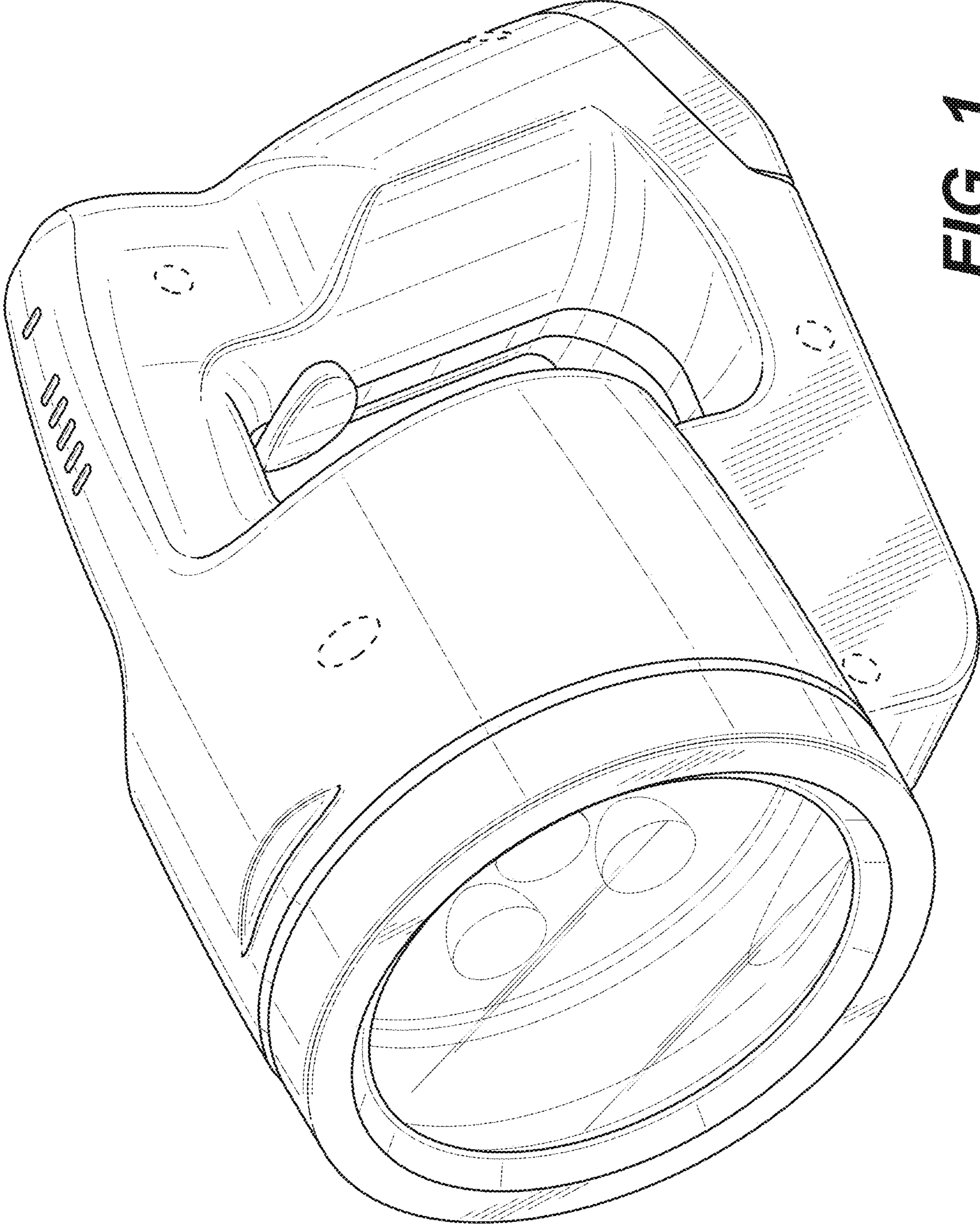


FIG. 1

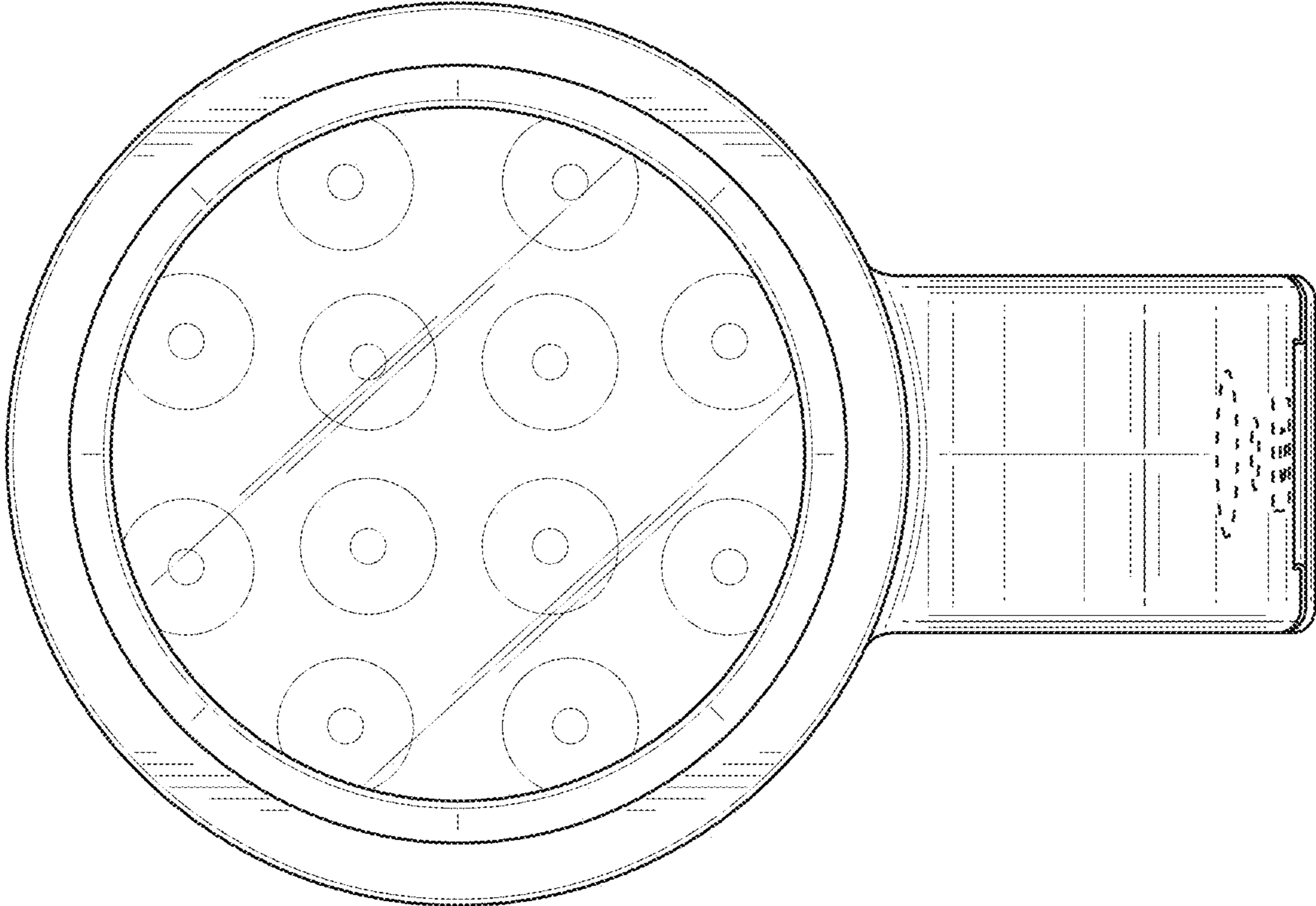
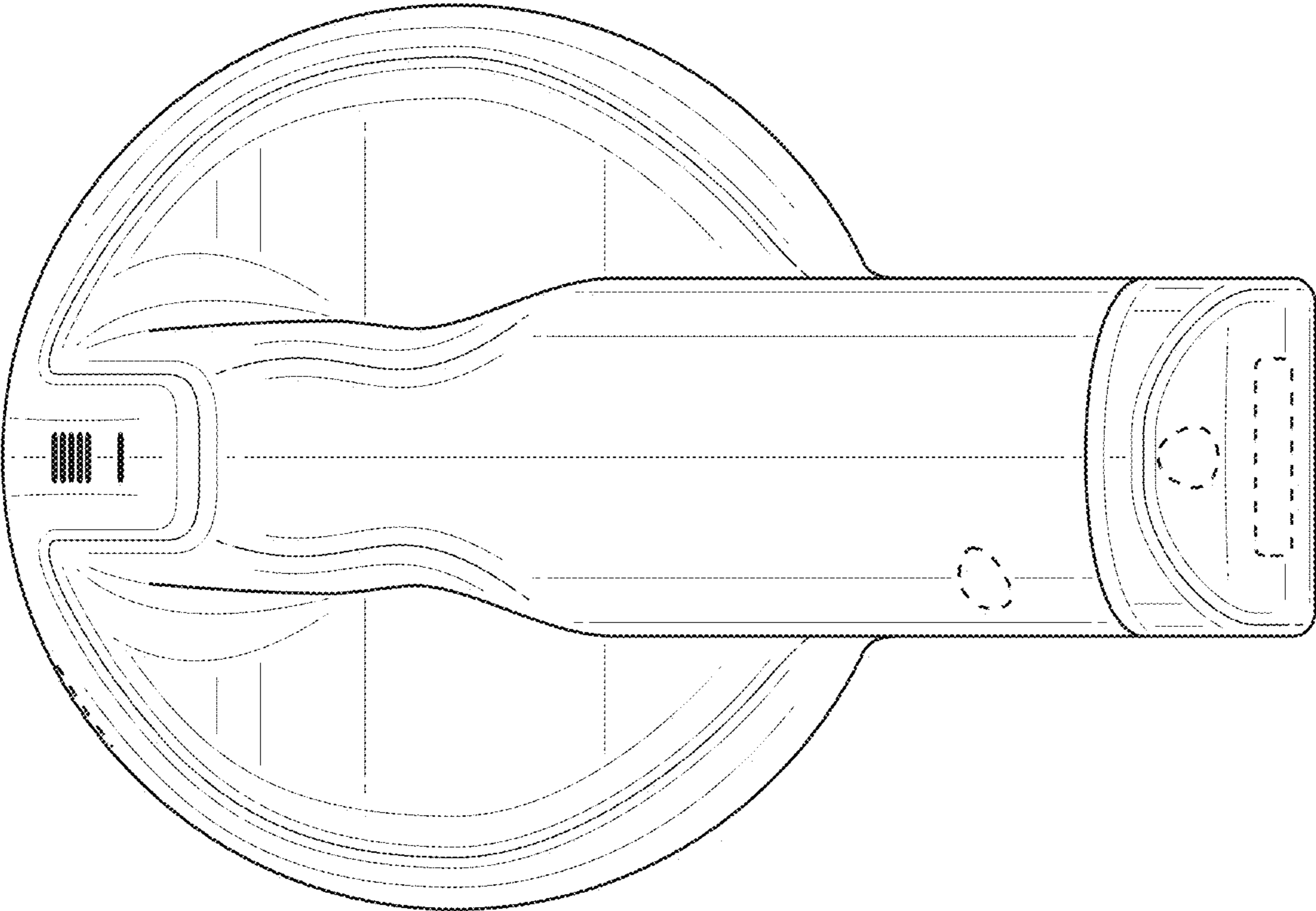
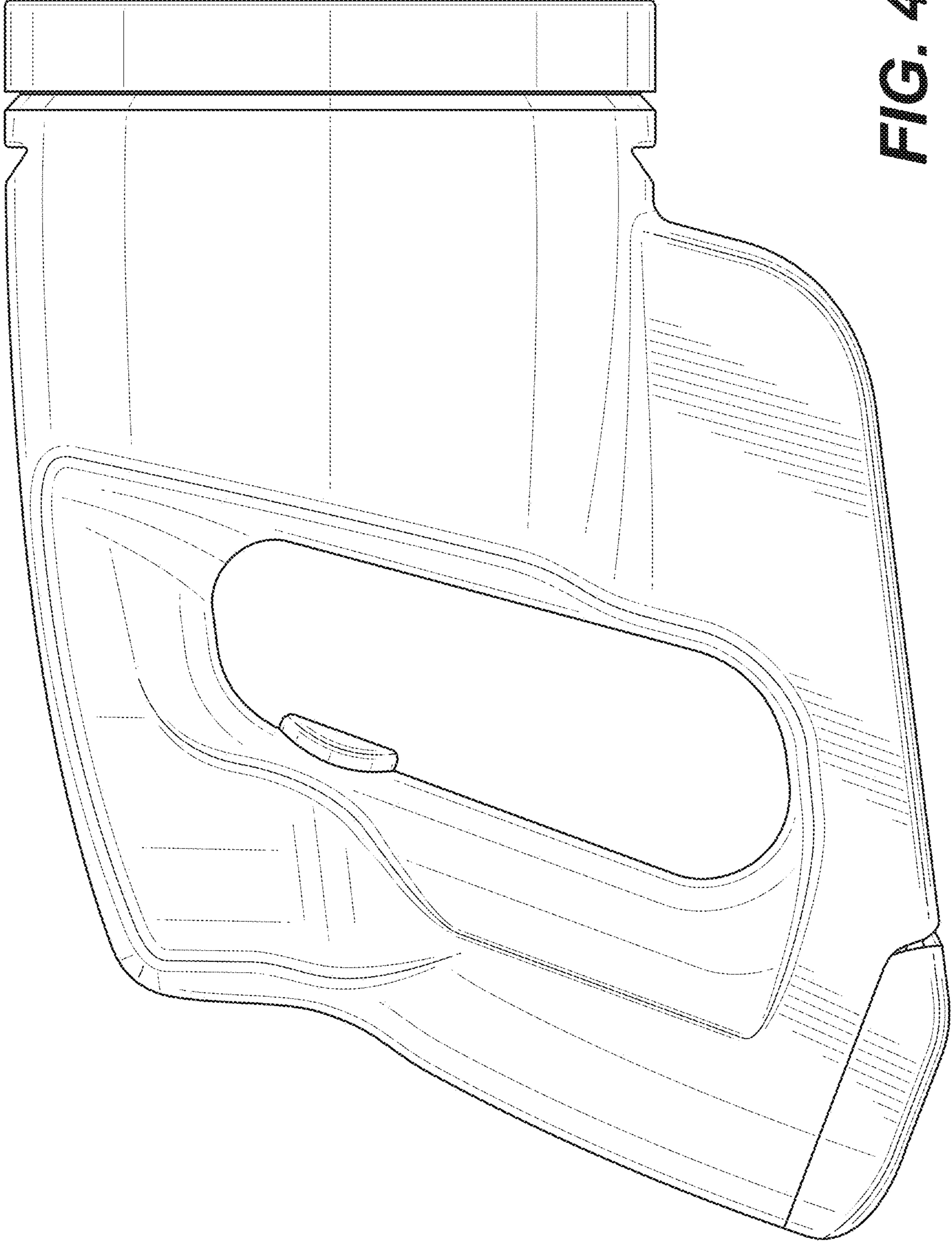


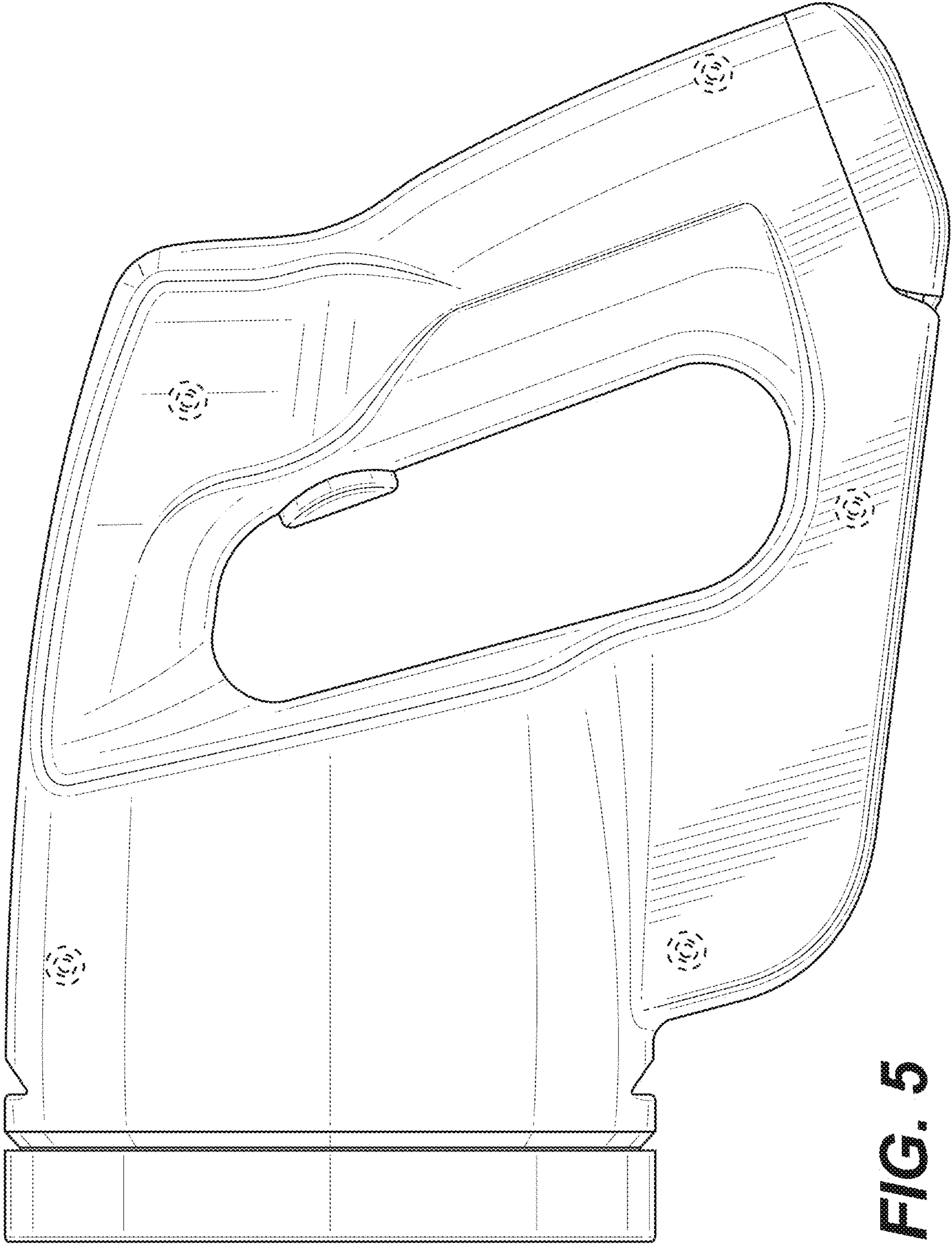
FIG. 2



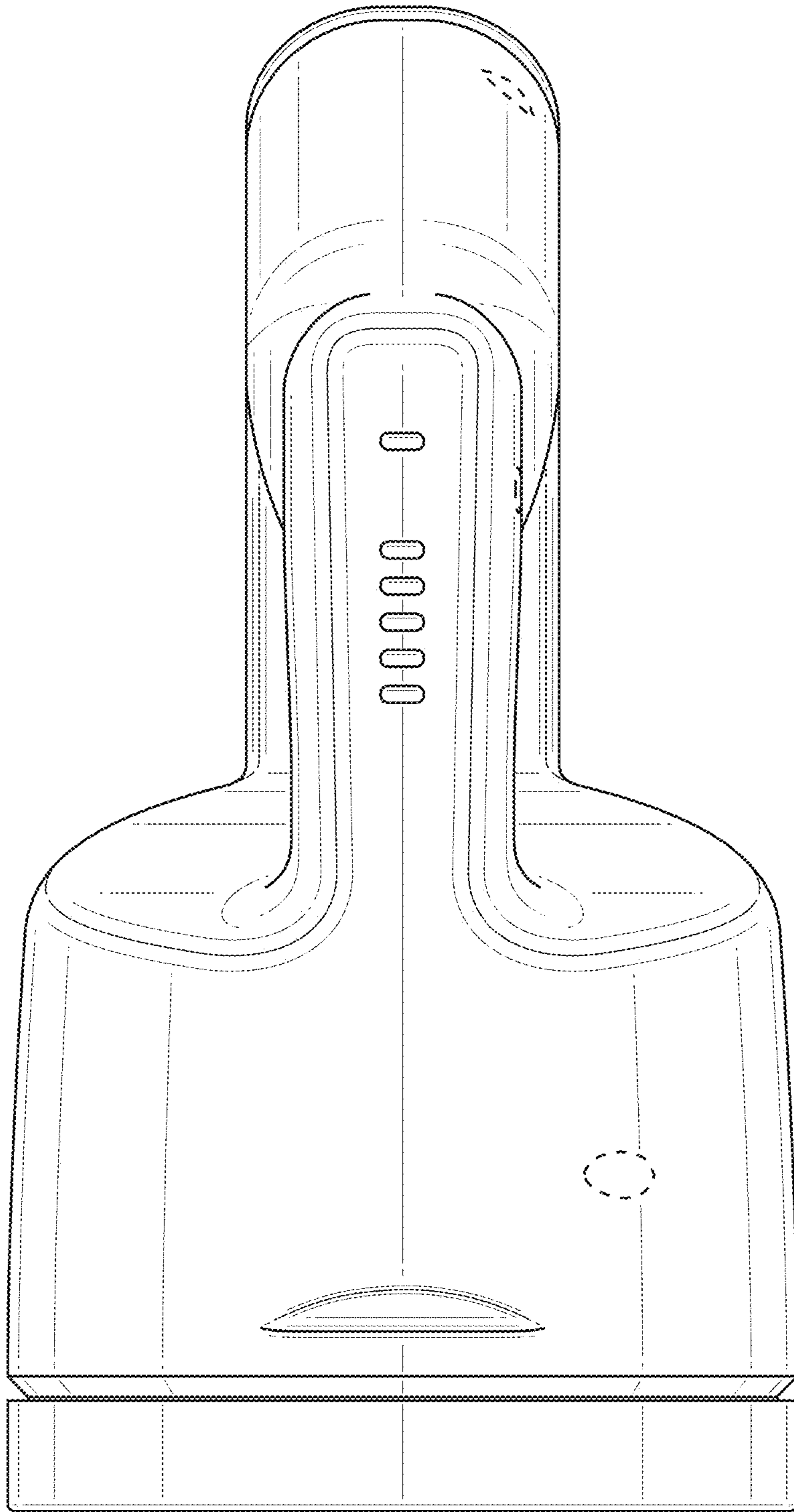
**FIG. 3**



**FIG. 4**

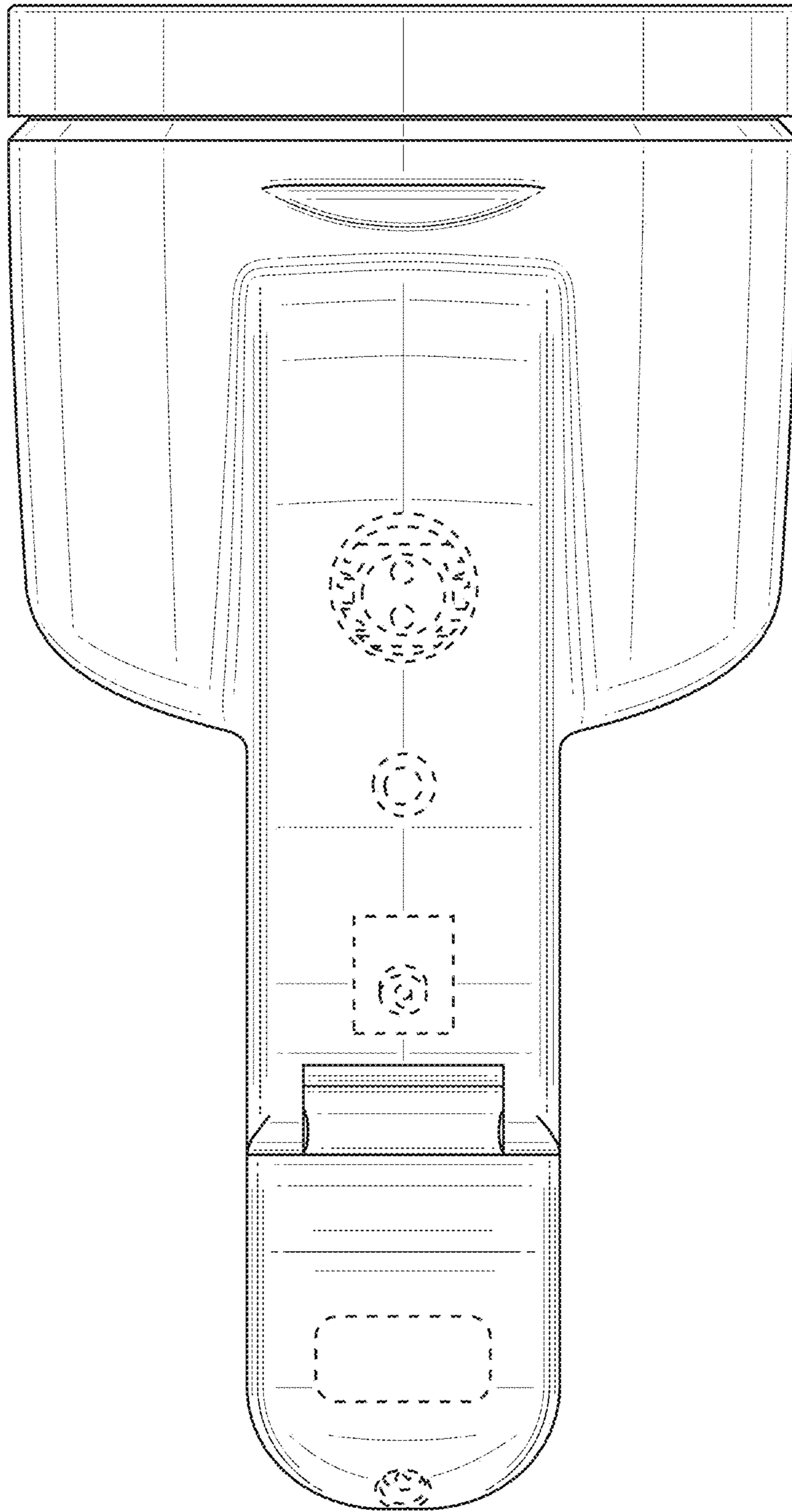


**FIG. 5**



**FIG. 6**





**FIG. 7**