



US00D957657S

(12) **United States Design Patent**  
**Levi**

(10) **Patent No.:** **US D957,657 S**  
(45) **Date of Patent:** **\*\* Jul. 12, 2022**

- (54) **MICRODERMABRASION DEVICE WITH FACIAL HUMIDIFIER**
- (71) Applicant: **Guy Levi**, Dania, FL (US)
- (72) Inventor: **Guy Levi**, Dania, FL (US)
- (\*\*) Term: **15 Years**
- (21) Appl. No.: **29/747,988**
- (22) Filed: **Aug. 26, 2020**
- (51) **LOC (13) Cl.** ..... **23-02**
- (52) **U.S. Cl.**  
USPC ..... **D24/203**
- (58) **Field of Classification Search**  
USPC ..... D24/201–205, 213, 209, 210, 146;  
D23/276–278, 280.1–280.3; D3/294  
CPC ..... A61H 33/6005; A61H 33/6021; A61H  
33/6089; A61H 33/6094; A61H 2035/004;  
A61H 35/006; A47K 3/022; A47K 3/062;  
A61B 17/545; A61B 2017/00057; A61B  
2017/00075; A61B 2017/00761; A61B  
2017/00907; A61B 2017/320004  
See application file for complete search history.

(56) **References Cited**

**U.S. PATENT DOCUMENTS**

D265,127 S *	6/1982	Cousins	.....	D24/201
D450,842 S *	11/2001	Simon	.....	D24/146
D503,979 S *	4/2005	Khalaj	.....	D24/146
D544,603 S *	6/2007	David	.....	D24/146
D570,098 S *	6/2008	Luzon	.....	D3/205
D601,711 S *	10/2009	Lin	.....	D24/217
8,025,669 B1 *	9/2011	David	.....	A61B 17/545 606/131
D708,850 S *	7/2014	Morine	.....	D3/294
9,744,315 B1 *	8/2017	Levi	.....	A61B 17/320068

(Continued)

**OTHER PUBLICATIONS**

We Tested MicrodermMD by Trophy Skin. Here's Our Review.—  
Better Living. Jun. 27, 2018 (<https://onbetterliving.com/microderm->

md/#comment-14622). Retrieved from internet on Dec. 2, 2021 at:  
<https://onbetterliving.com/microderm-md/>.\*

*Primary Examiner* — Anhdao Doan

(57) **CLAIM**

The ornamental design for a microdermabrasion device with facial humidifier, as shown and described.

**DESCRIPTION**

FIG. 1 is a top-left-front perspective view of a microdermabrasion device with facial humidifier showing my new design;

FIG. 2 is a bottom-right-rear perspective view thereof;

FIG. 3 is a front elevation view thereof;

FIG. 4 is a rear elevation view thereof;

FIG. 5 is a top plan view thereof;

FIG. 6 is a bottom plan view thereof;

FIG. 7 is a right elevation view thereof;

FIG. 8 is a left elevation view thereof;

FIG. 9 is a reduced top-right-front perspective view thereof, showing a lid and a compartment of the microdermabrasion device with facial humidifier in an open configuration;

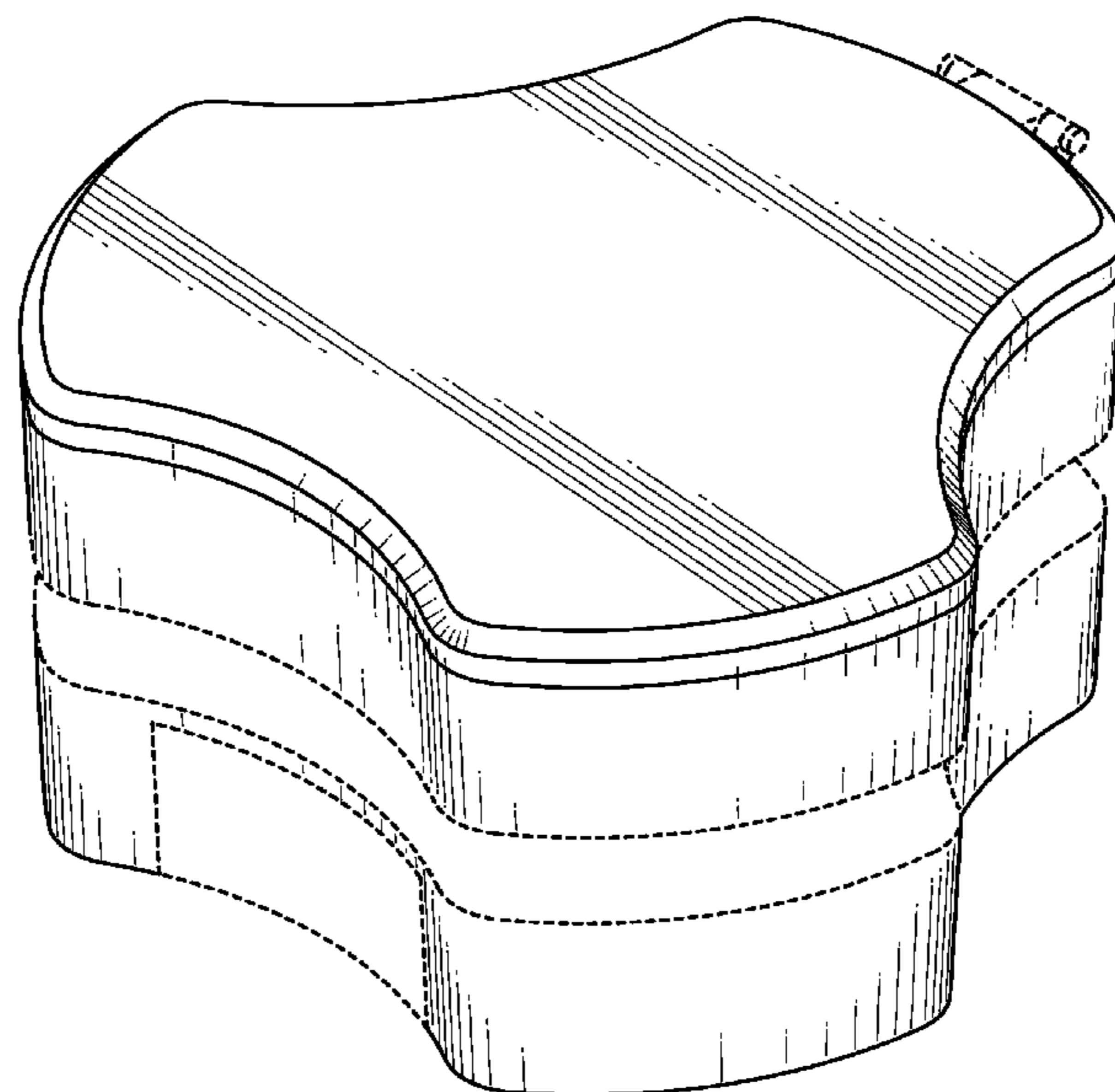
FIG. 10 is a reduced bottom-left-rear perspective view thereof, showing the lid and the compartment of the microdermabrasion device with facial humidifier in the open configuration;

FIG. 11 is a top-right-front perspective view thereof, showing the microdermabrasion device with facial humidifier and a facial humidifier attachment; and,

FIG. 12 is a front elevation view thereof, showing the microdermabrasion device with facial humidifier and the facial humidifier attachment.

The broken lines illustrate portions of the microdermabrasion device with facial humidifier that form no part of the claimed design.

**1 Claim, 12 Drawing Sheets**



(56)

**References Cited**

U.S. PATENT DOCUMENTS

D917,049 S *	4/2021	Schwartz .....	D24/146
2003/0093089 A1 *	5/2003	Greenberg .....	A61B 17/545
			606/131
2008/0213321 A1 *	9/2008	Luzon .....	A61B 17/54
			424/400

\* cited by examiner

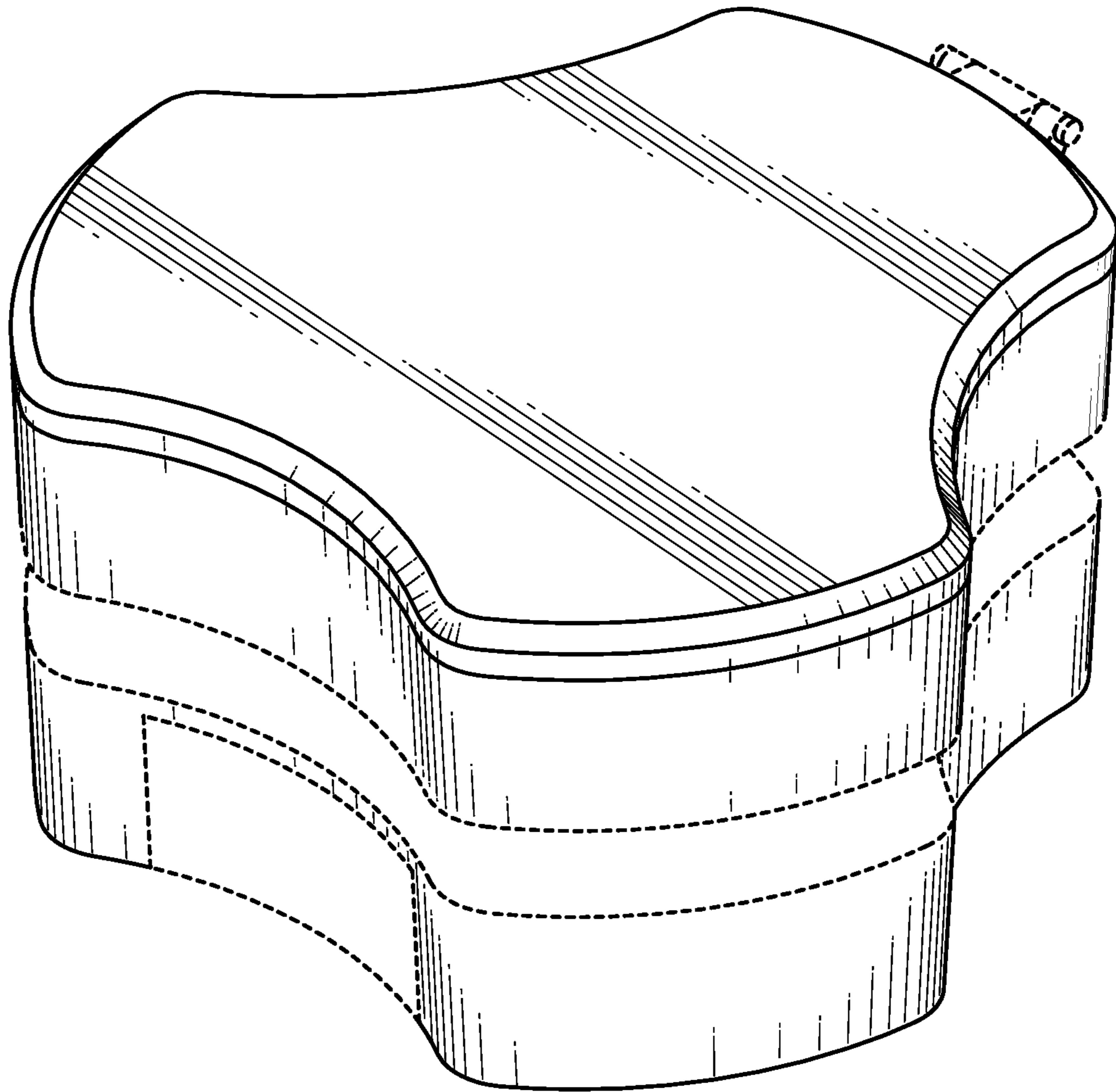


FIG.1

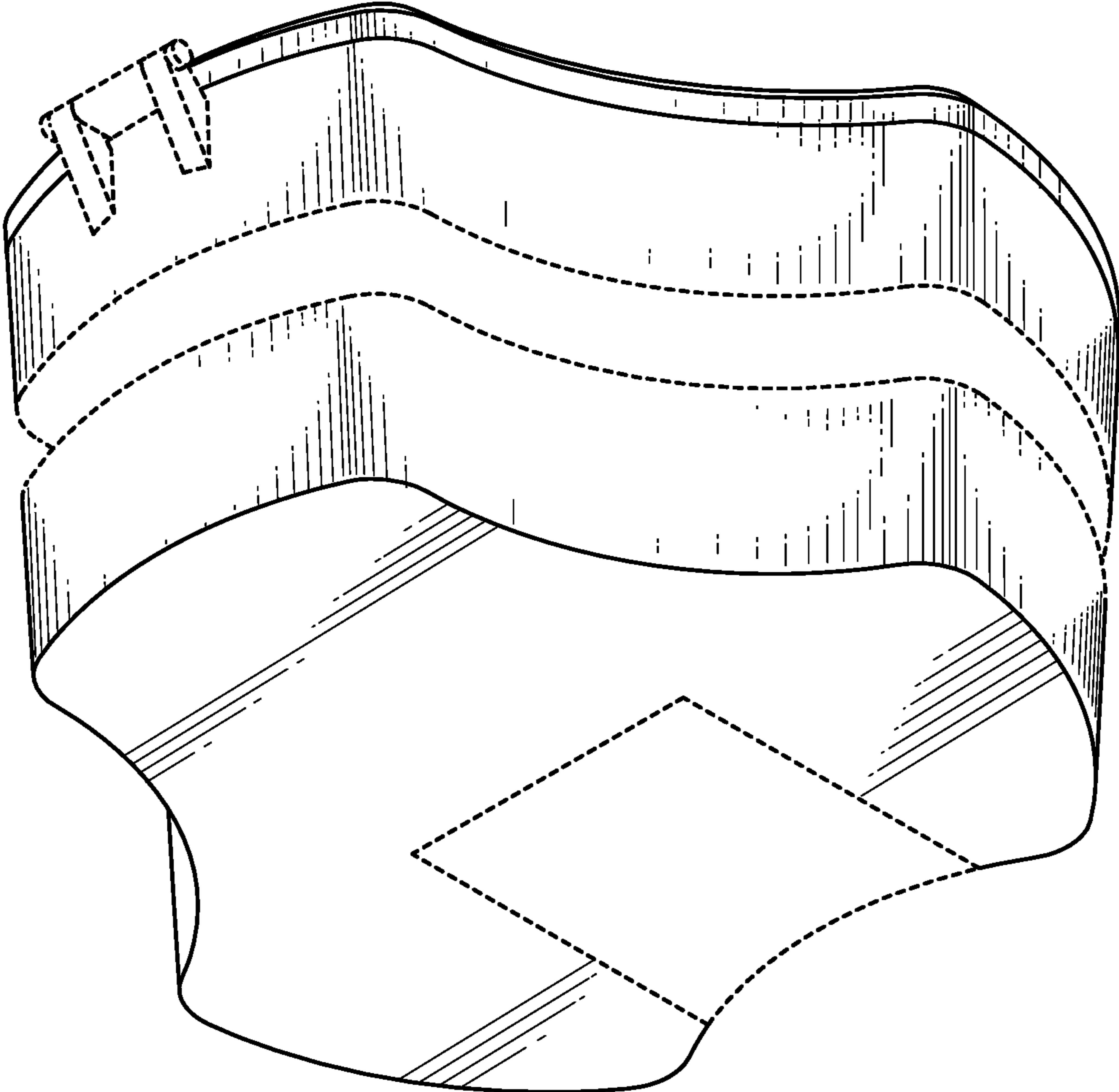


FIG.2

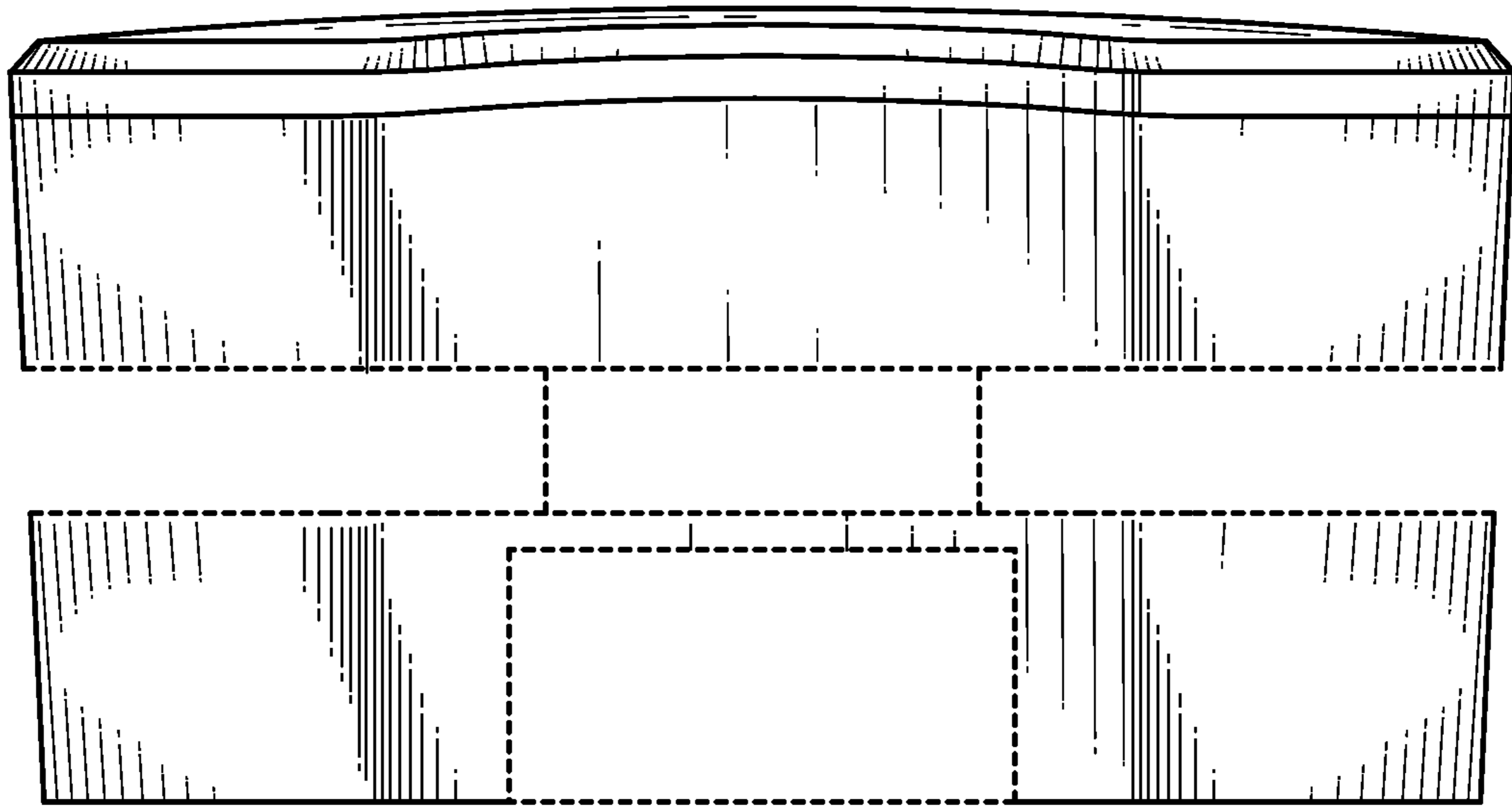


FIG. 3

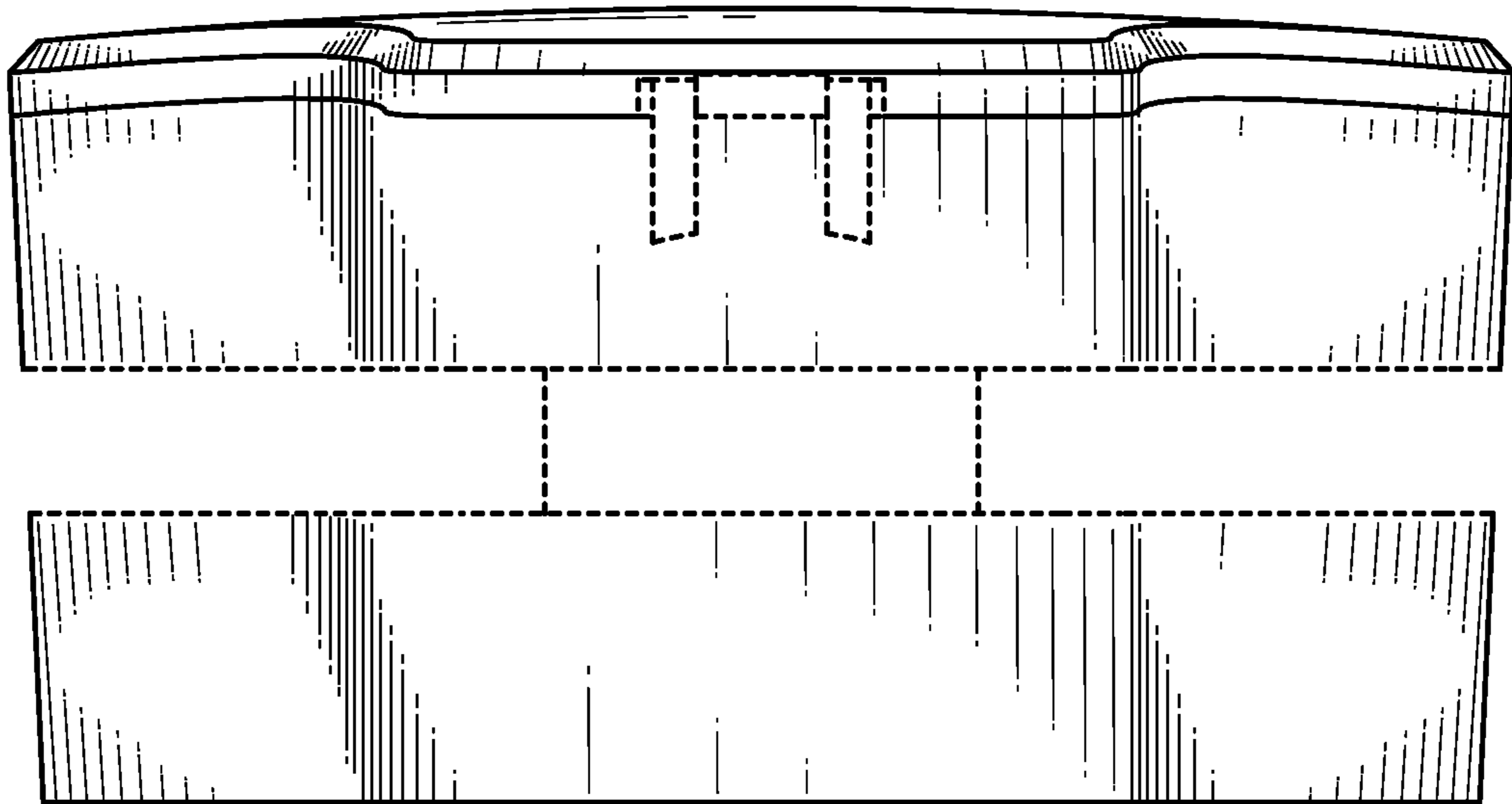


FIG. 4

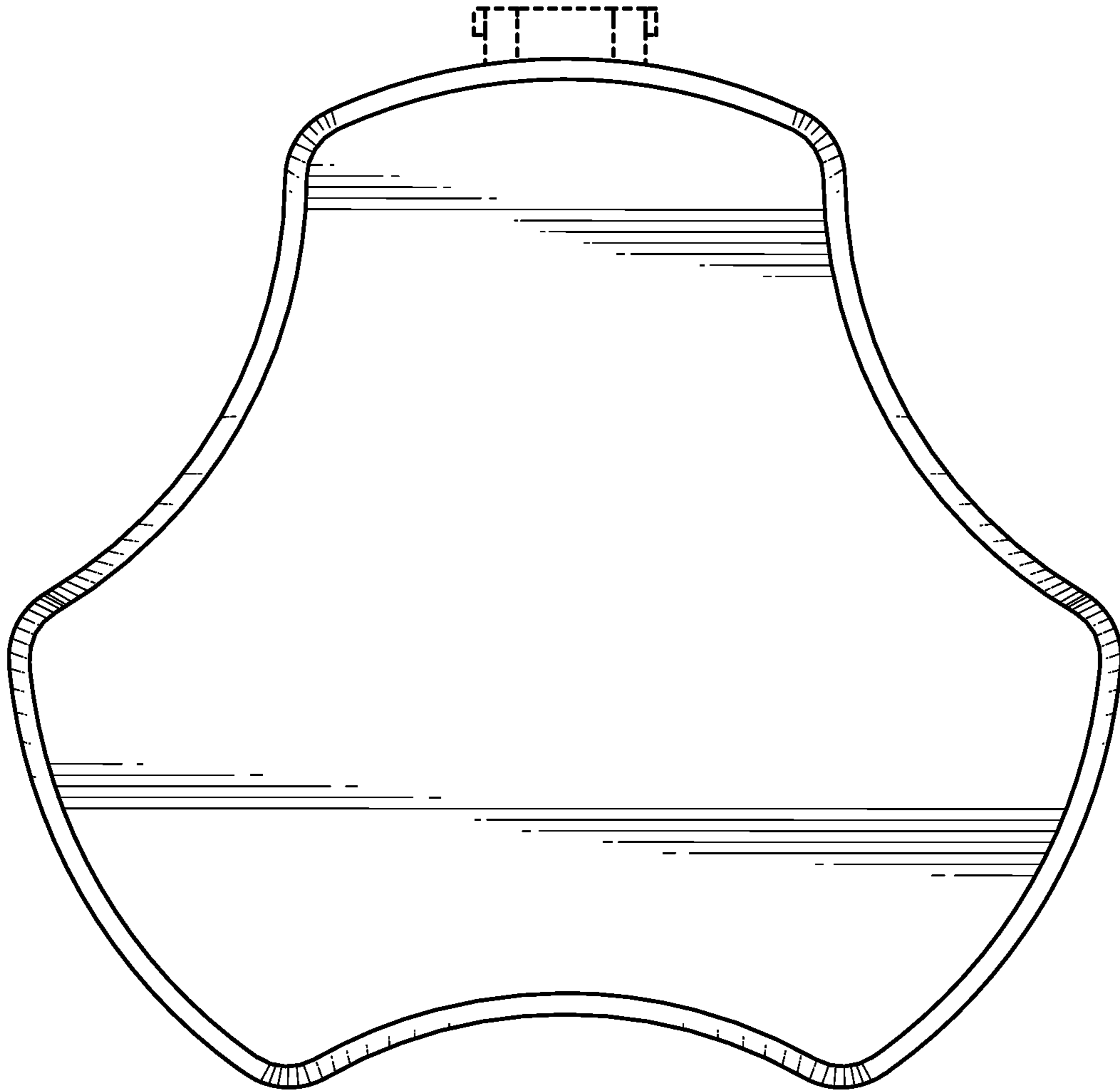


FIG. 5

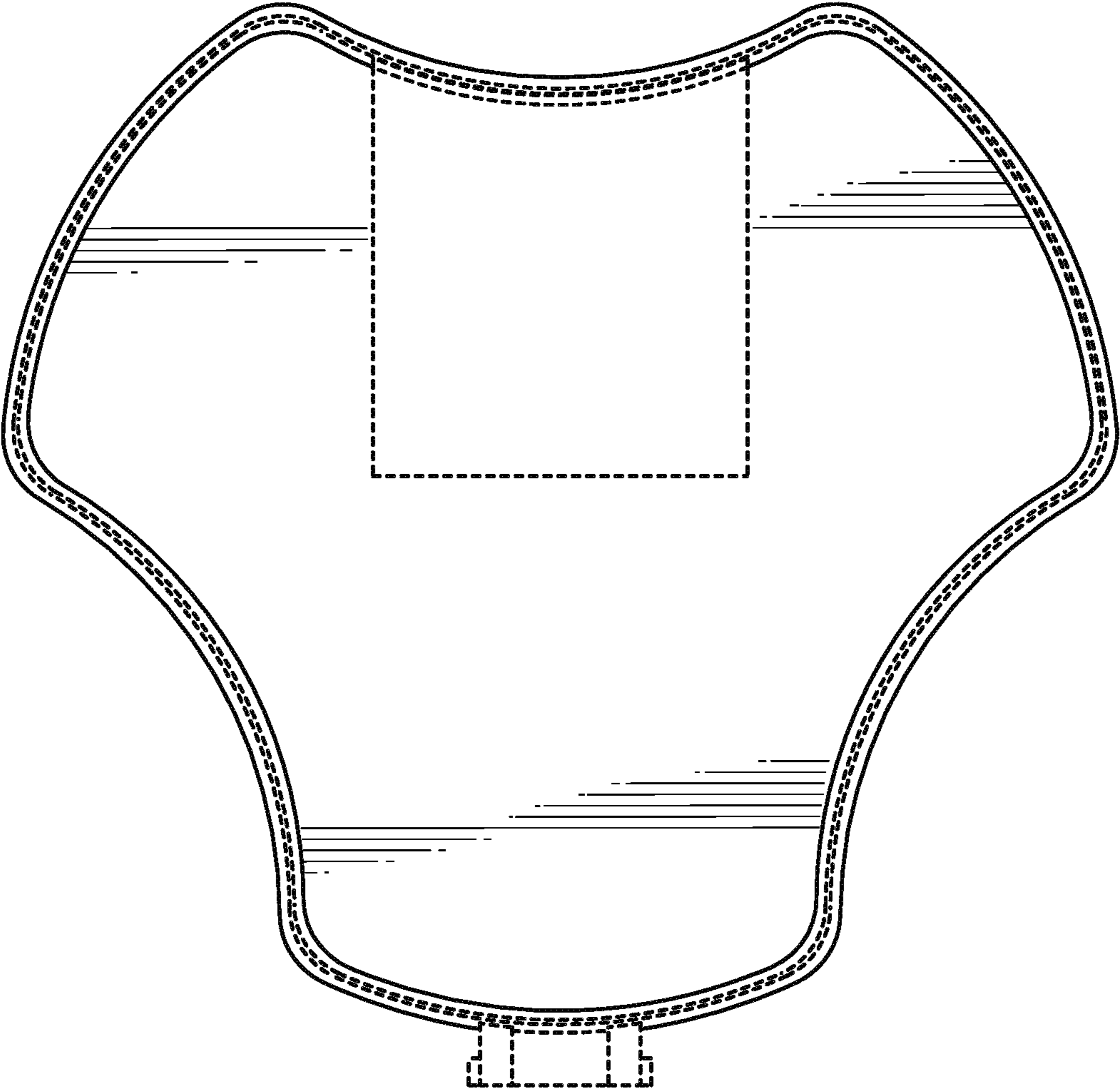


FIG. 6



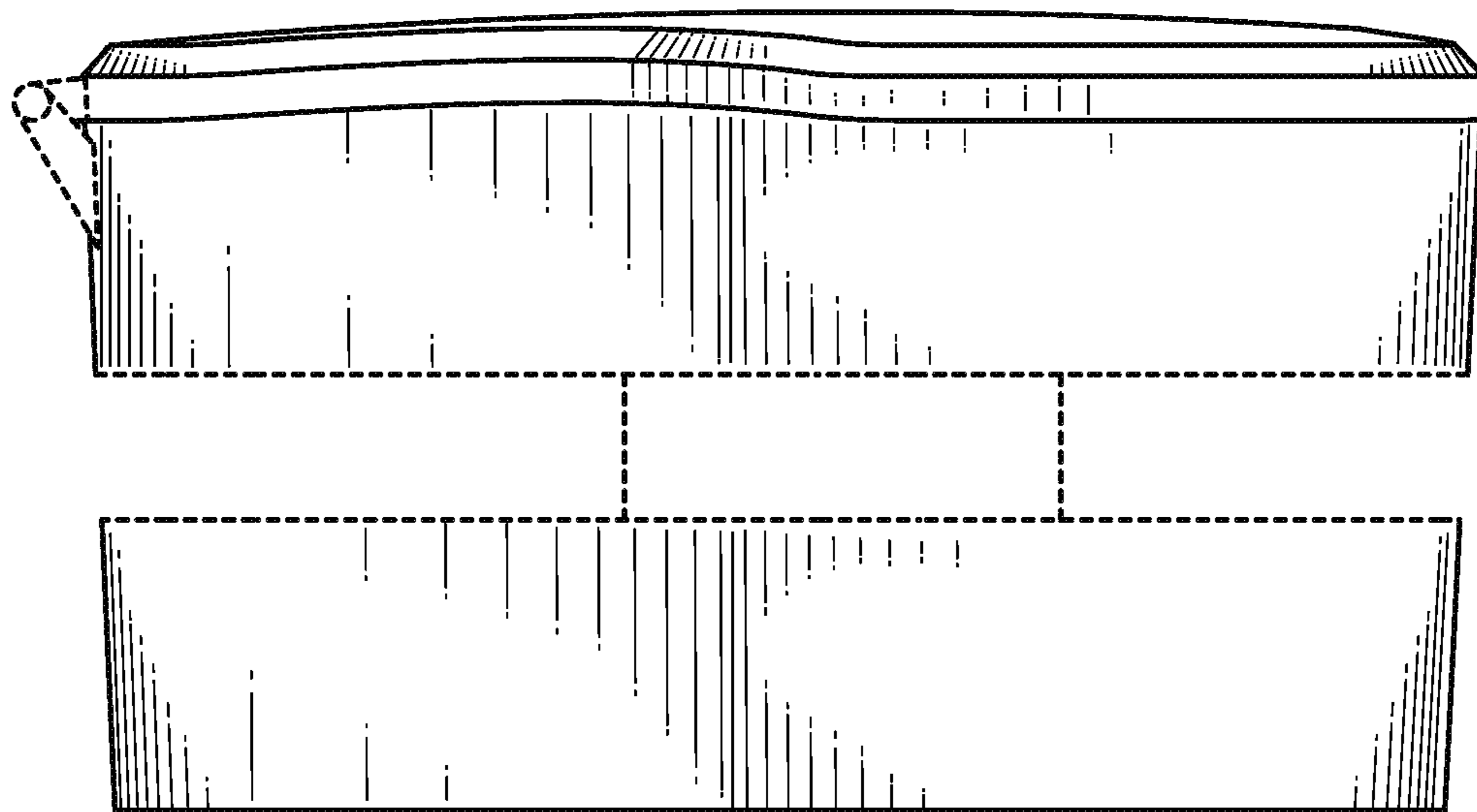


FIG. 7

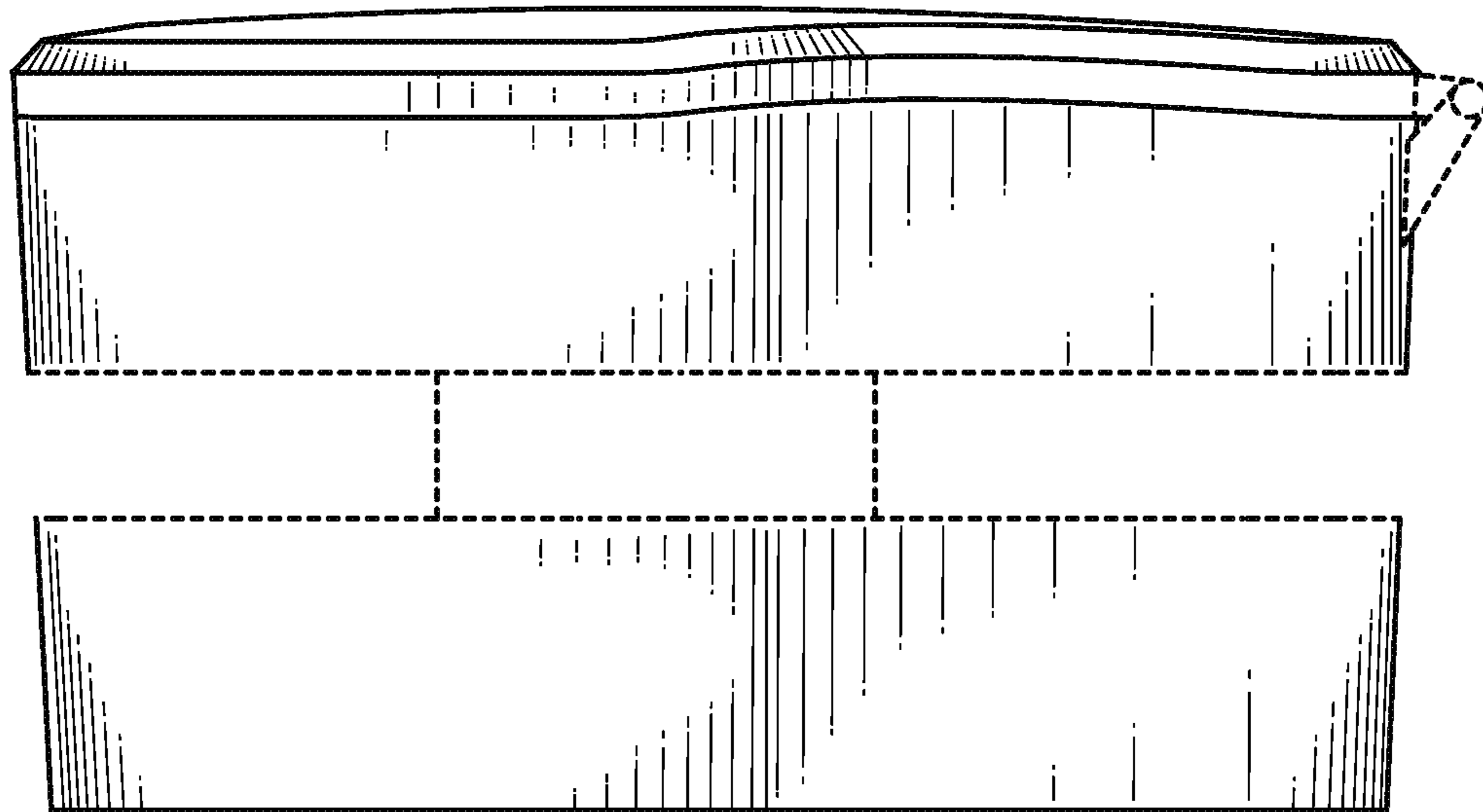


FIG. 8

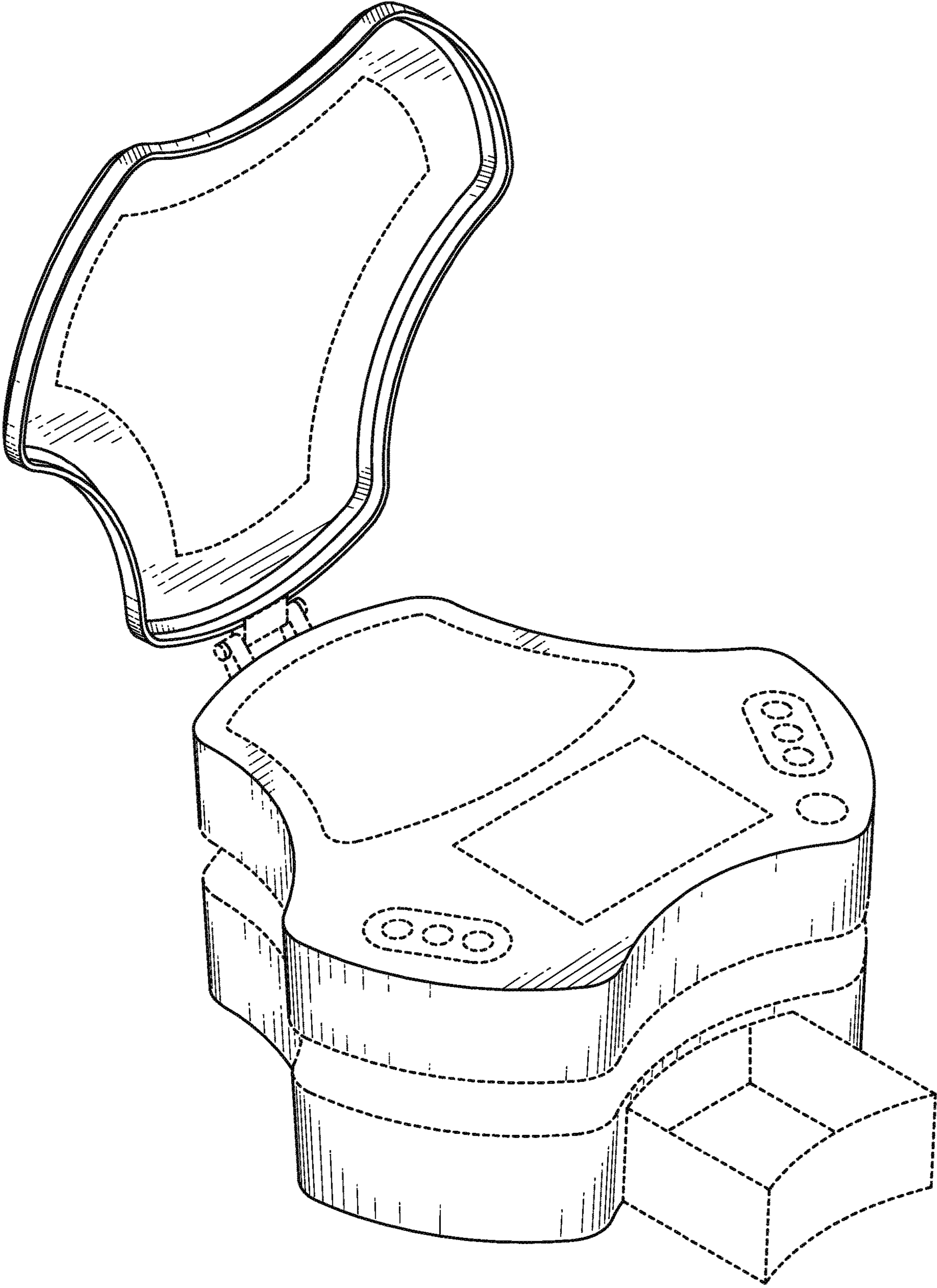


FIG. 9

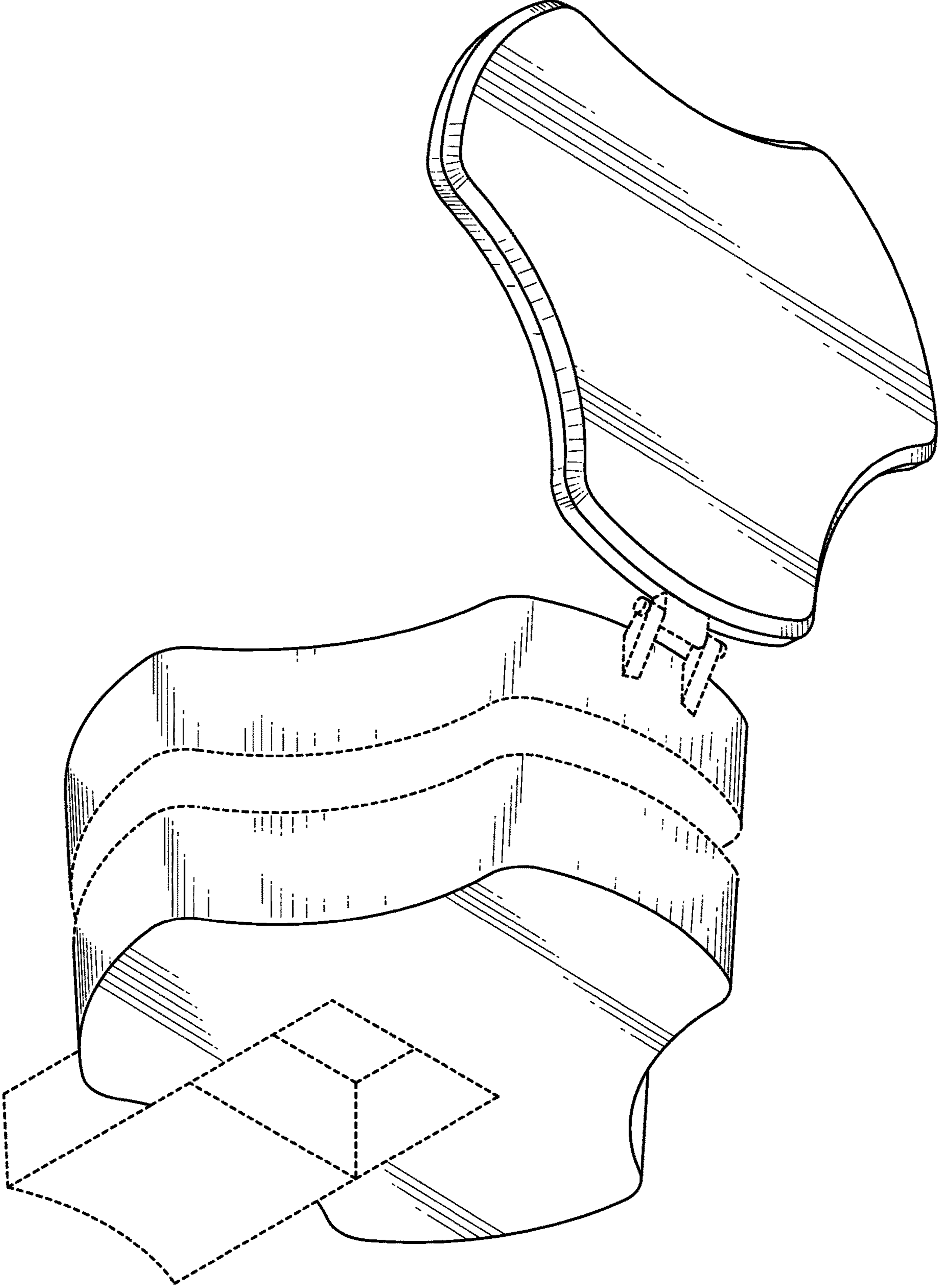


FIG. 10

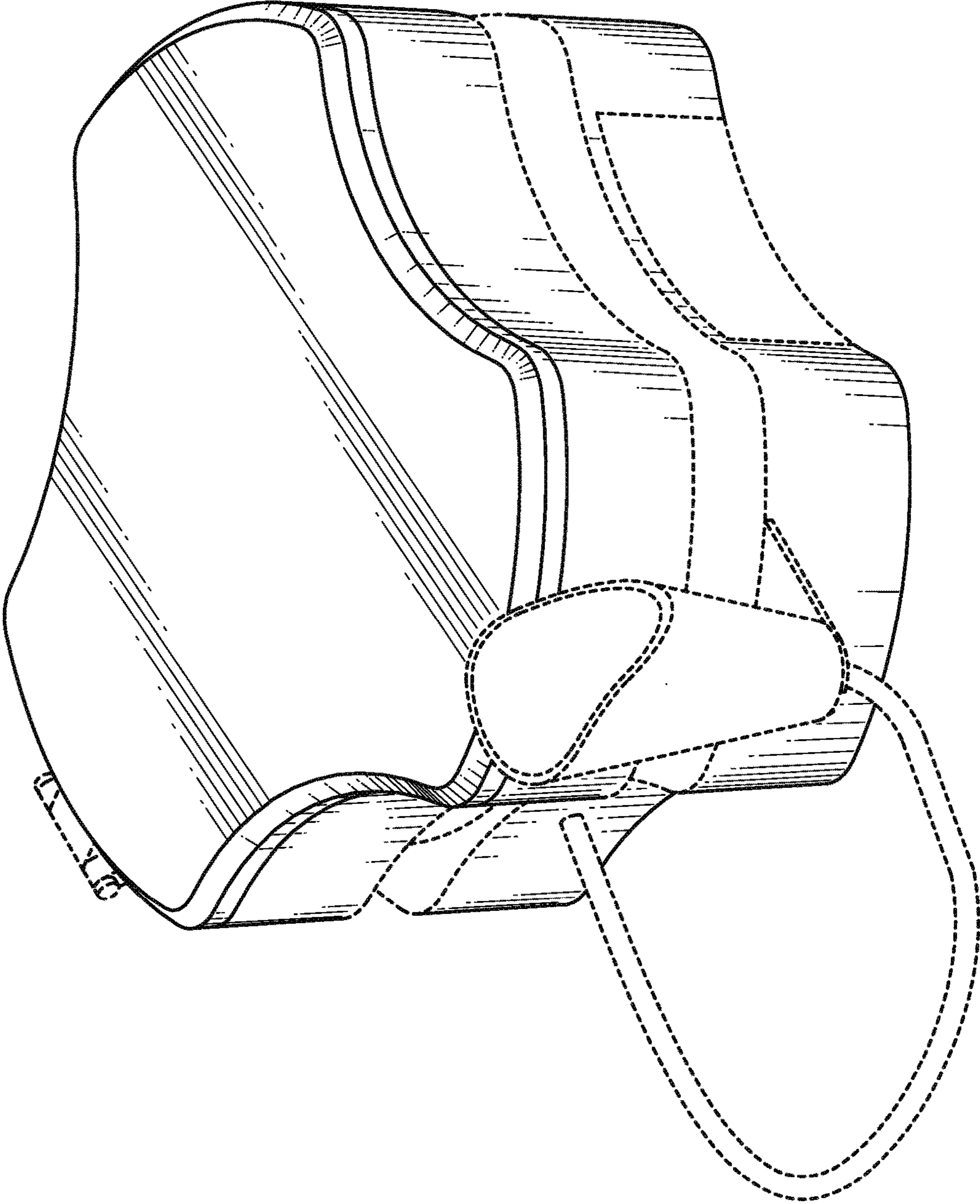


FIG. 11

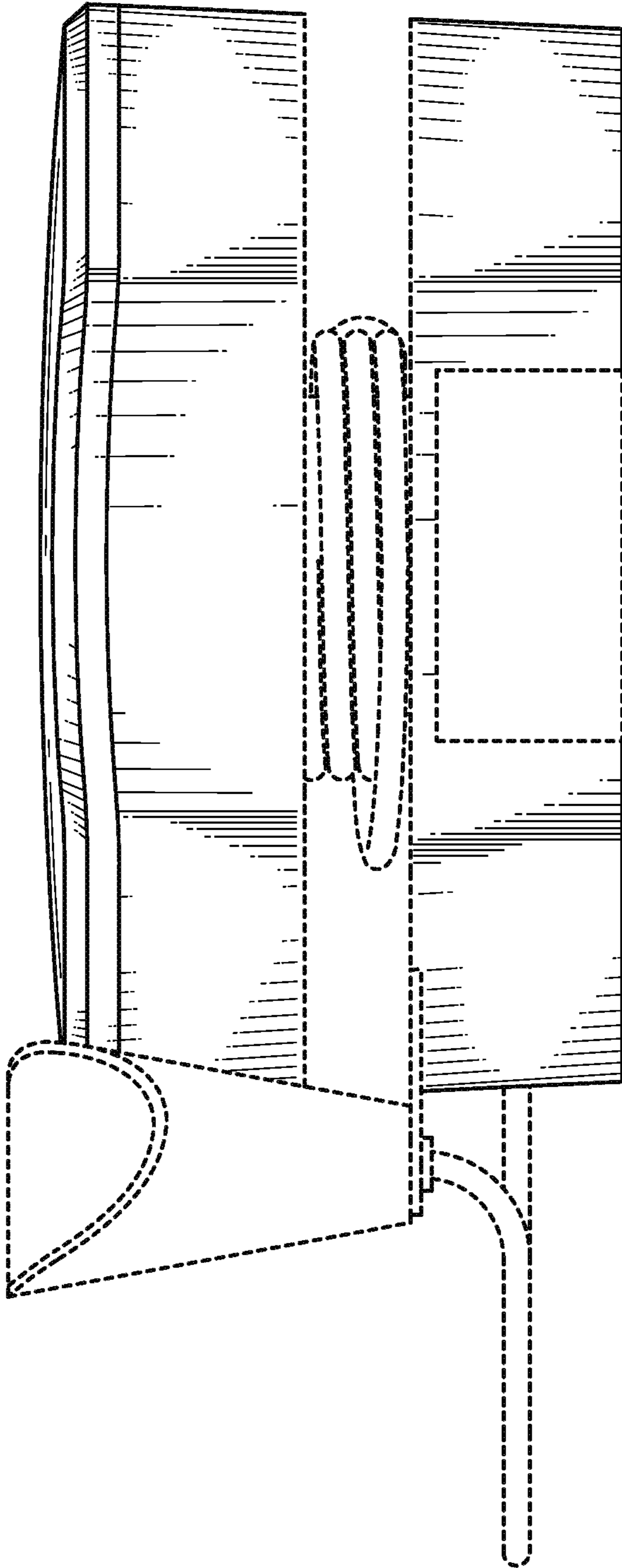


FIG. 12