



US00D957652S

(12) **United States Design Patent**
Coughlan

(10) **Patent No.:** **US D957,652 S**
(45) **Date of Patent:** **** Jul. 12, 2022**

(54) **BELT**

(71) Applicant: **Coulter Ventures, LLC.**, Columbus, OH (US)

(72) Inventor: **Laurie Ann Coughlan**, Hilliard, OH (US)

(73) Assignee: **Coulter Ventures, LLC.**, Columbus, OH (US)

(**) Term: **15 Years**

(21) Appl. No.: **29/714,713**

(22) Filed: **Nov. 25, 2019**

Related U.S. Application Data

(63) Continuation of application No. 29/638,919, filed on Mar. 1, 2018, now Pat. No. Des. 868,271.

(51) **LOC (13) Cl.** **24-04**

(52) **U.S. Cl.**
USPC **D24/190**

(58) **Field of Classification Search**

USPC D2/624-629, 631, 633-640, 859, 894;
D3/224, 226; D24/128, 155, 167, 186,
D24/190; D29/101.1, 101.3; D21/805;
D11/218, 231; D30/152
CPC . A01K 27/001; A41F 3/02; A41F 5/00; A41F
9/002; A41F 9/005; A41F 9/025; A44B
11/10; A44B 11/18; A45F 2003/006;
A61F 5/028

See application file for complete search history.

(56) **References Cited**

U.S. PATENT DOCUMENTS

3,487,474 A * 1/1970 De Meo A41F 9/005
2/311
4,413,358 A * 11/1983 Jimenez A41F 9/005
2/311
4,509,214 A 4/1985 Shea

D296,919 S 7/1988 Falconer et al.
D303,318 S 9/1989 Clary
4,907,576 A 3/1990 Curlee
4,918,758 A 4/1990 Rendina
5,036,864 A 8/1991 Yewer, Jr.
5,178,163 A 1/1993 Yewer, Jr.
5,214,806 A * 6/1993 Flores A41F 5/00
2/338

(Continued)

OTHER PUBLICATIONS

Product listing for Rogue USA Nylon Lifting Belt; from <http://web.archive.org/web/20191214072301/https://www.roguefitness.com/rogue-usa-nylon-lifting-belt>; dated Jun. 26, 2019, accessed Jun. 29, 2021.

(Continued)

Primary Examiner — Kevin K Rudzinski

Assistant Examiner — Clare Ann Gannon

(74) *Attorney, Agent, or Firm* — Banner & Witcoff, Ltd.

(57) **CLAIM**

The ornamental design for a belt, as shown and described.

DESCRIPTION

FIG. 1 is a top, front, right perspective view of a belt showing my new design;

FIG. 2 is a front view thereof;

FIG. 3 is a rear view thereof;

FIG. 4 is a left side view thereof;

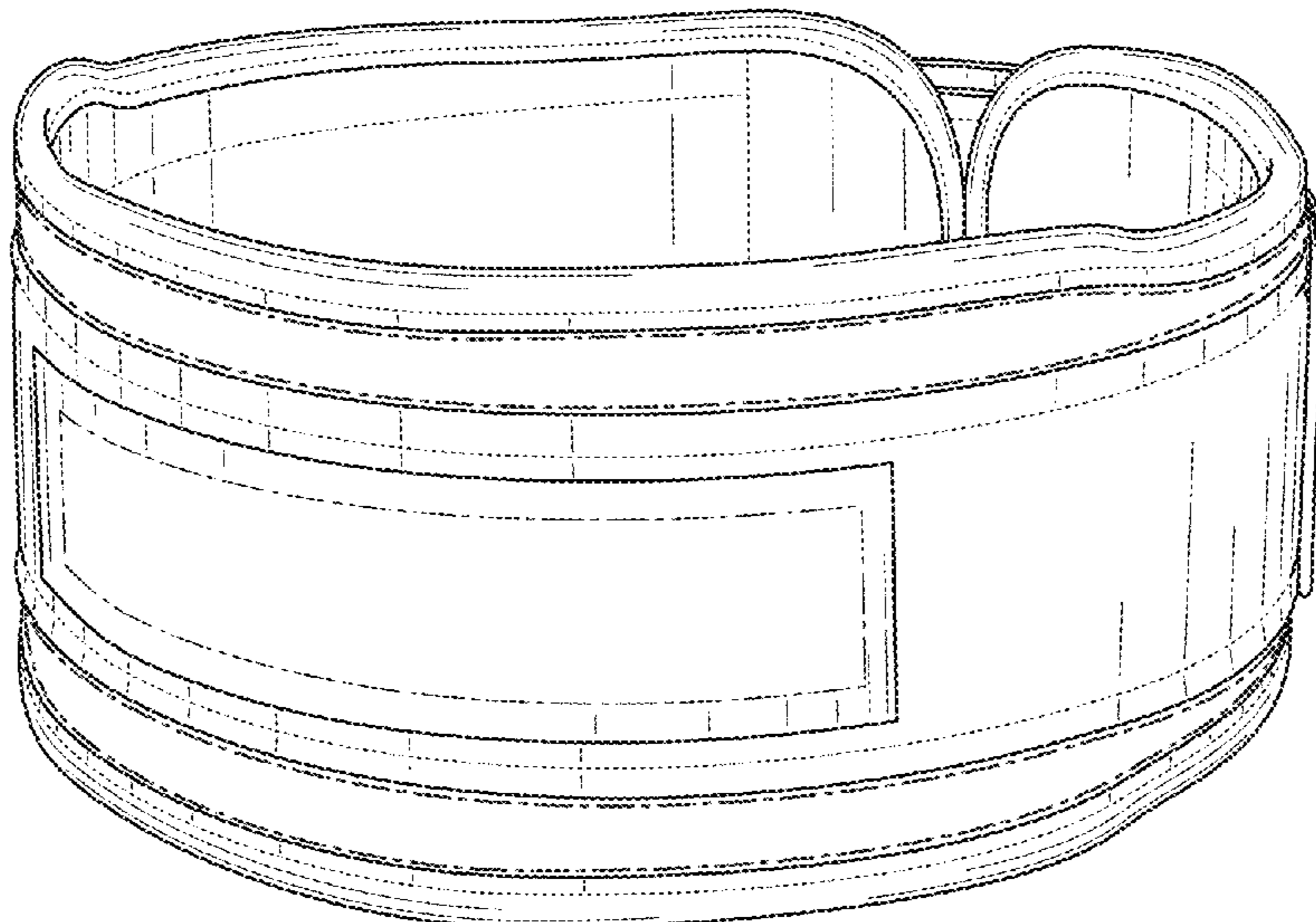
FIG. 5 is a right side view thereof;

FIG. 6 is a top view thereof; and,

FIG. 7 is a bottom view thereof.

The even-length broken lines represent stitching. The uneven-length broken lines represent boundaries that form no part of the claimed design. The unshaded surface within the uneven-length broken lines forms no part of the claimed design. The contrasting shading of the rectangle in FIGS. 3 and 5 represents a hook-and-loop fastener.

1 Claim, 5 Drawing Sheets



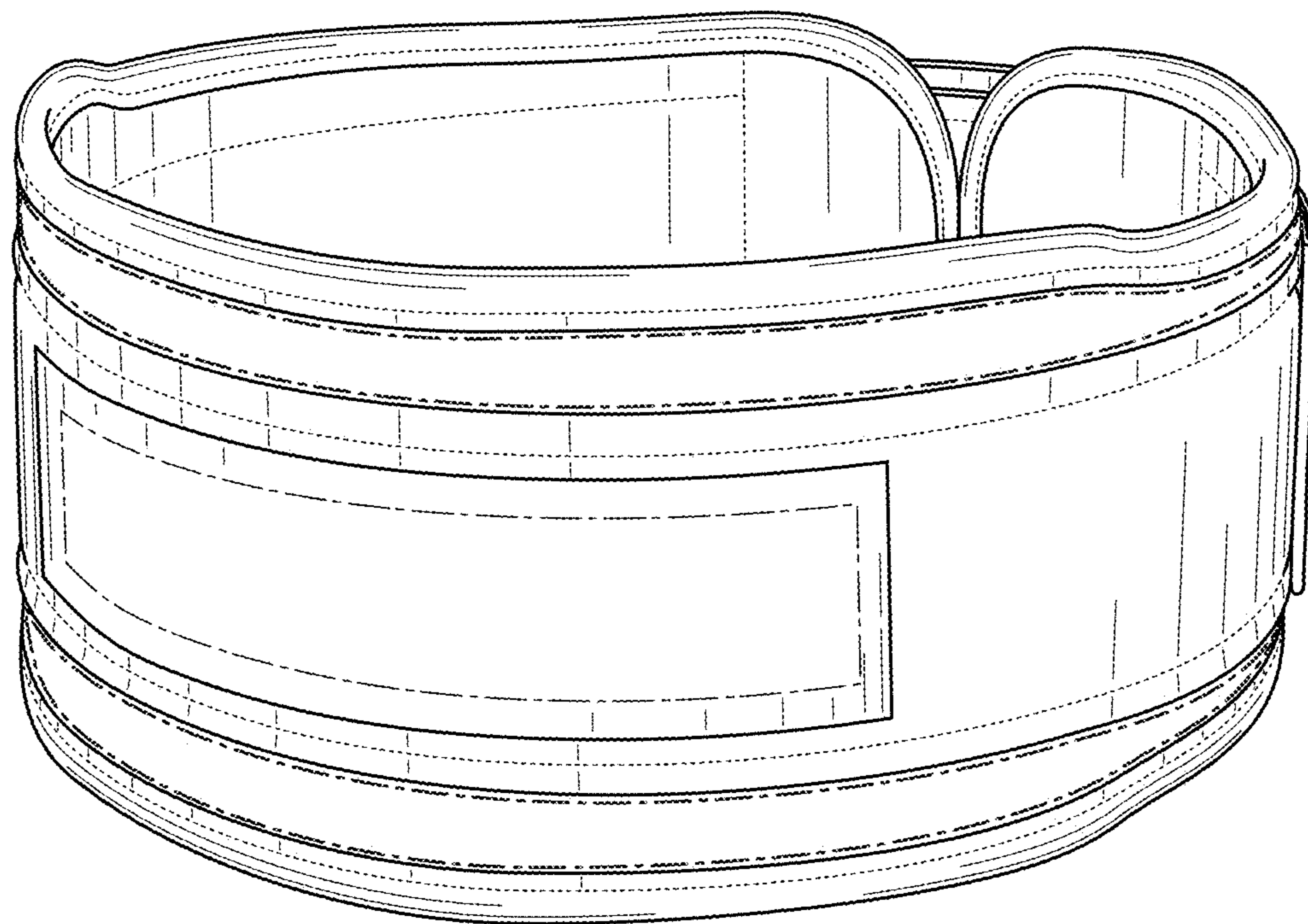


FIG. 1

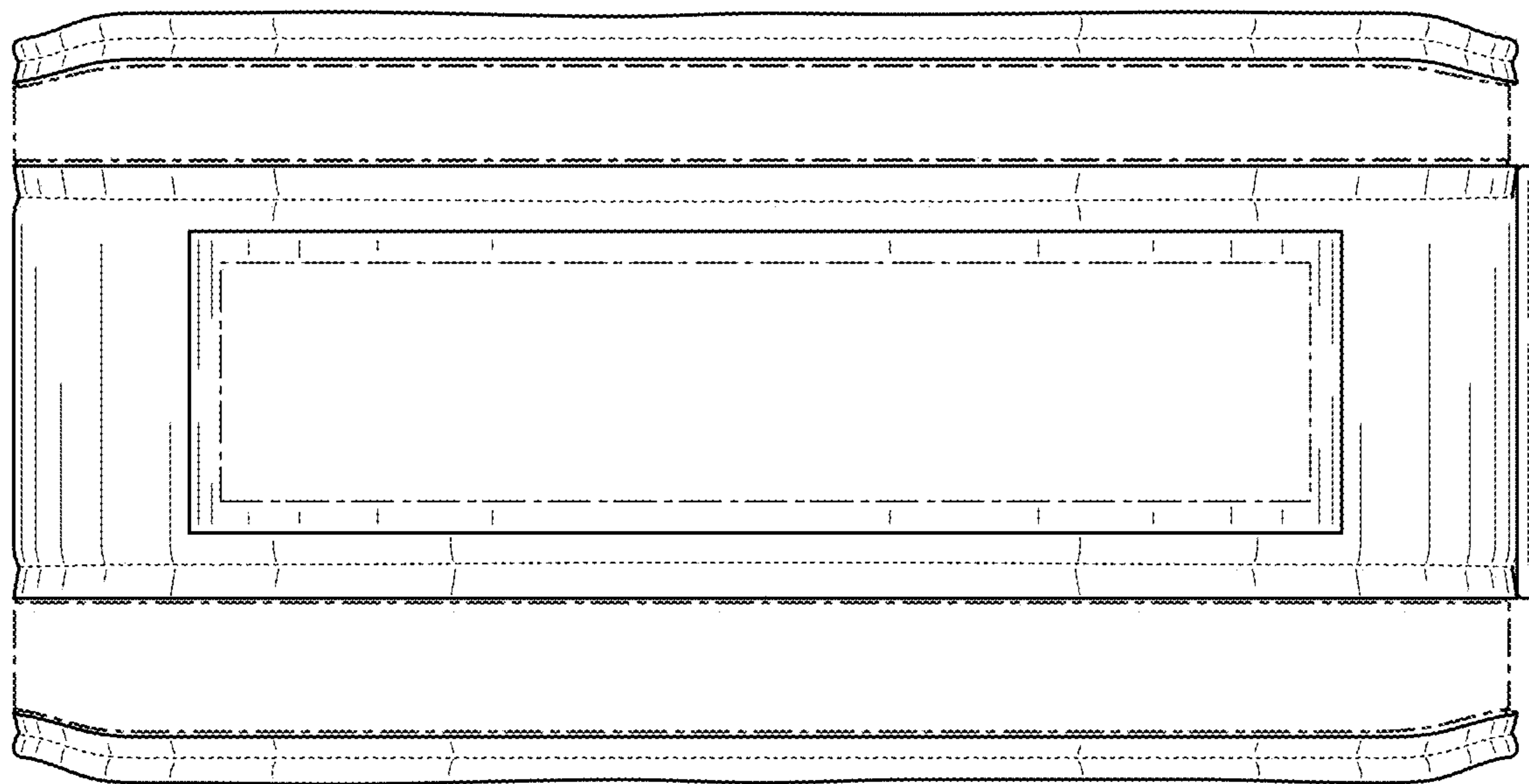


FIG. 2

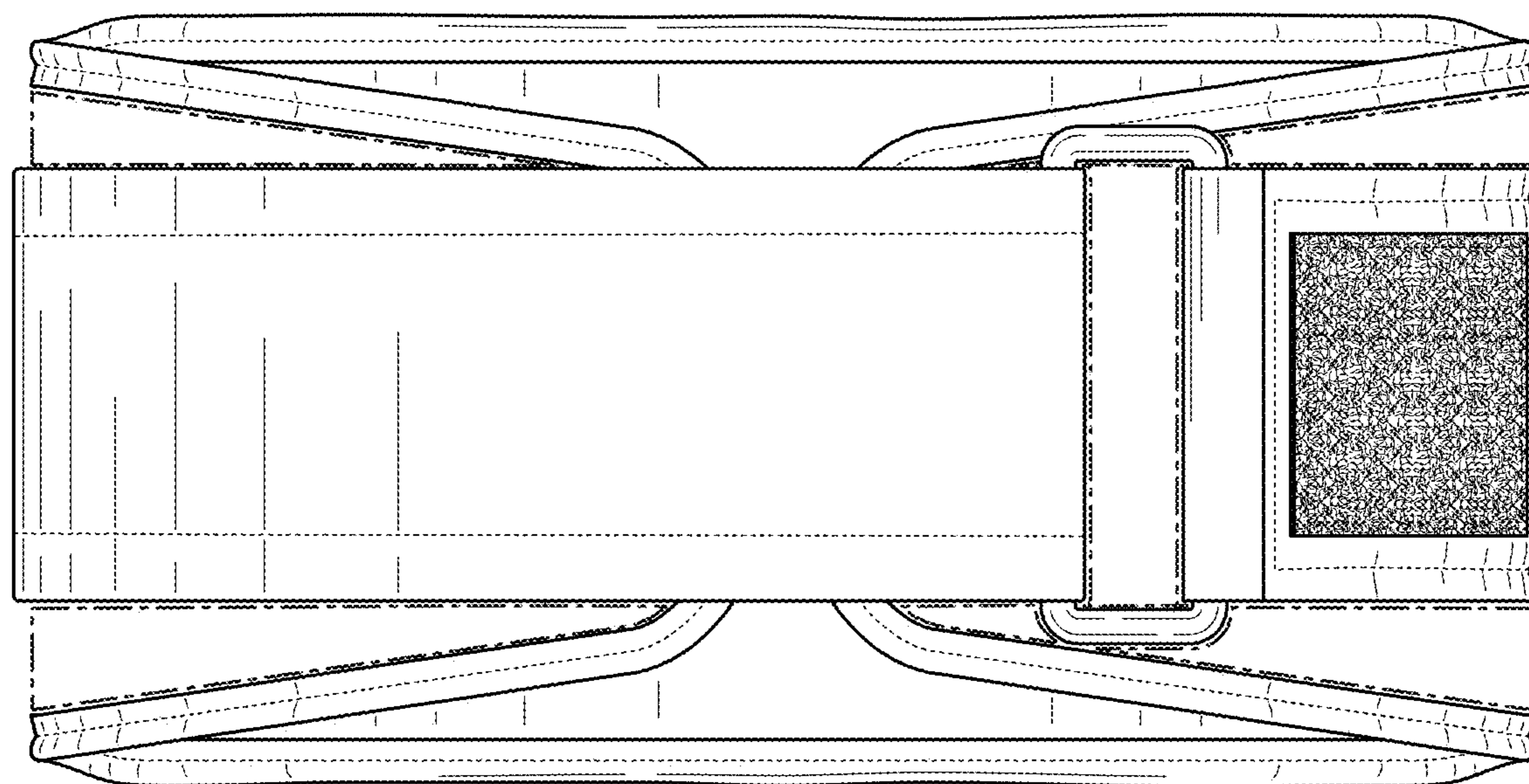


FIG. 3

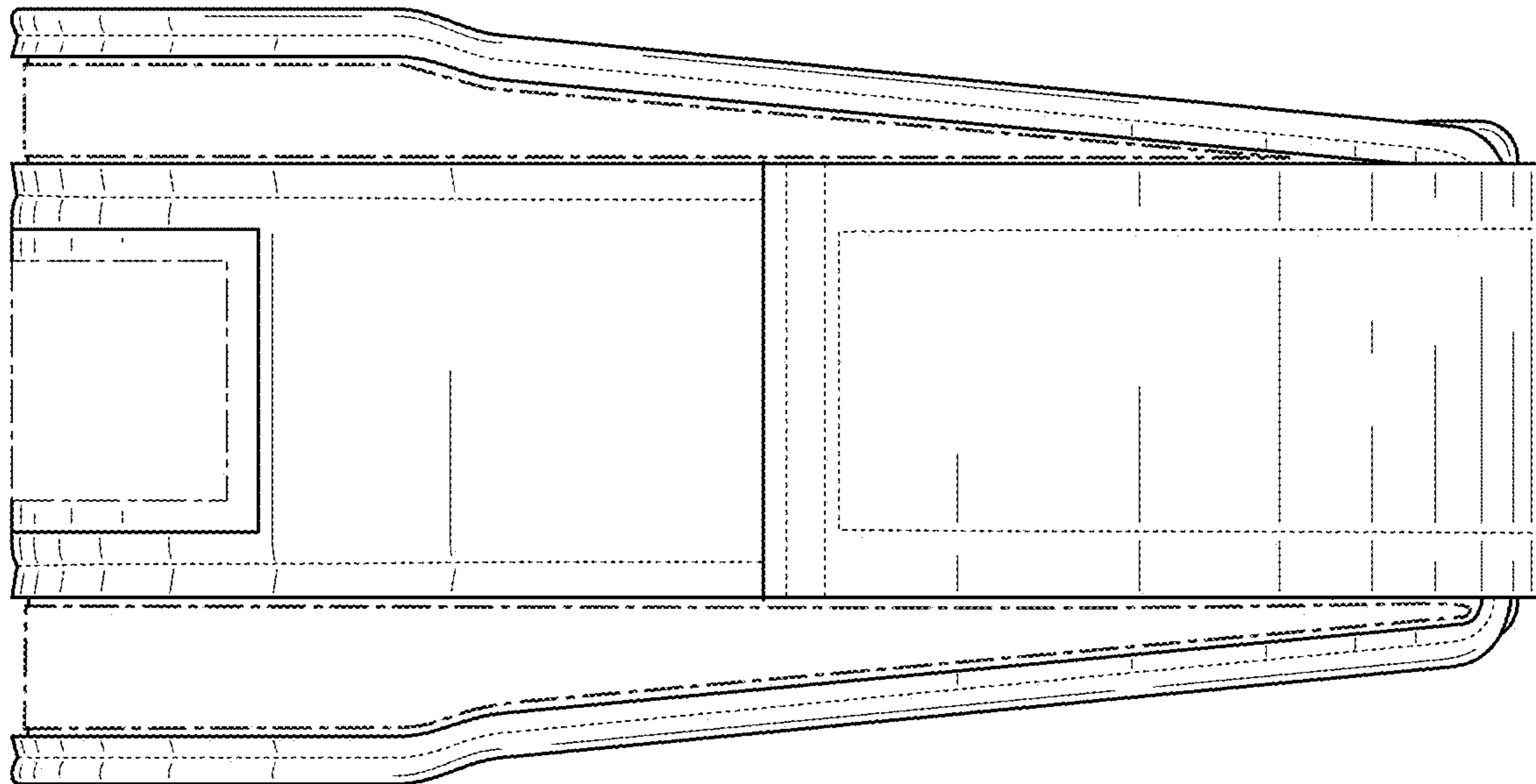


FIG. 4

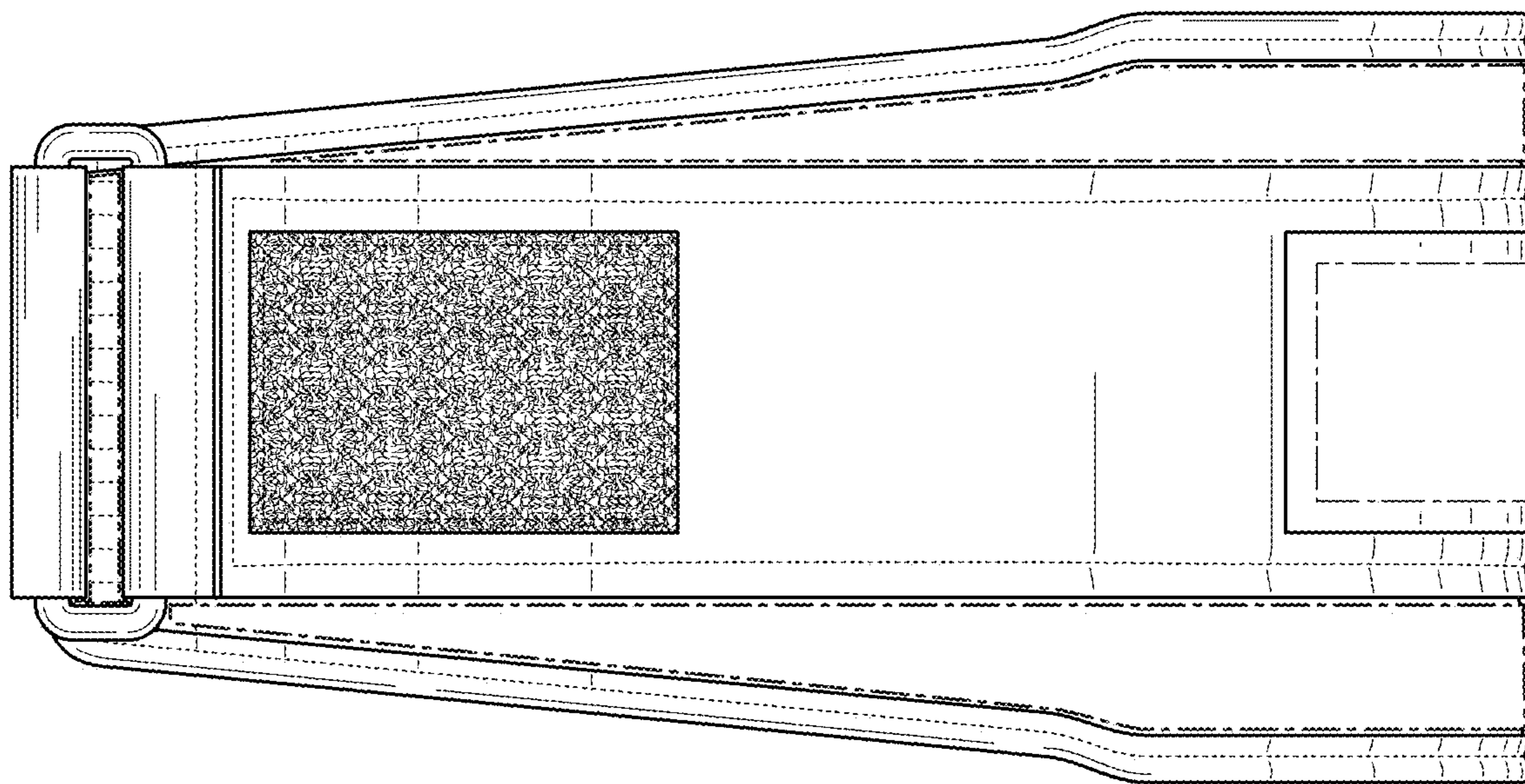


FIG. 5



FIG. 6

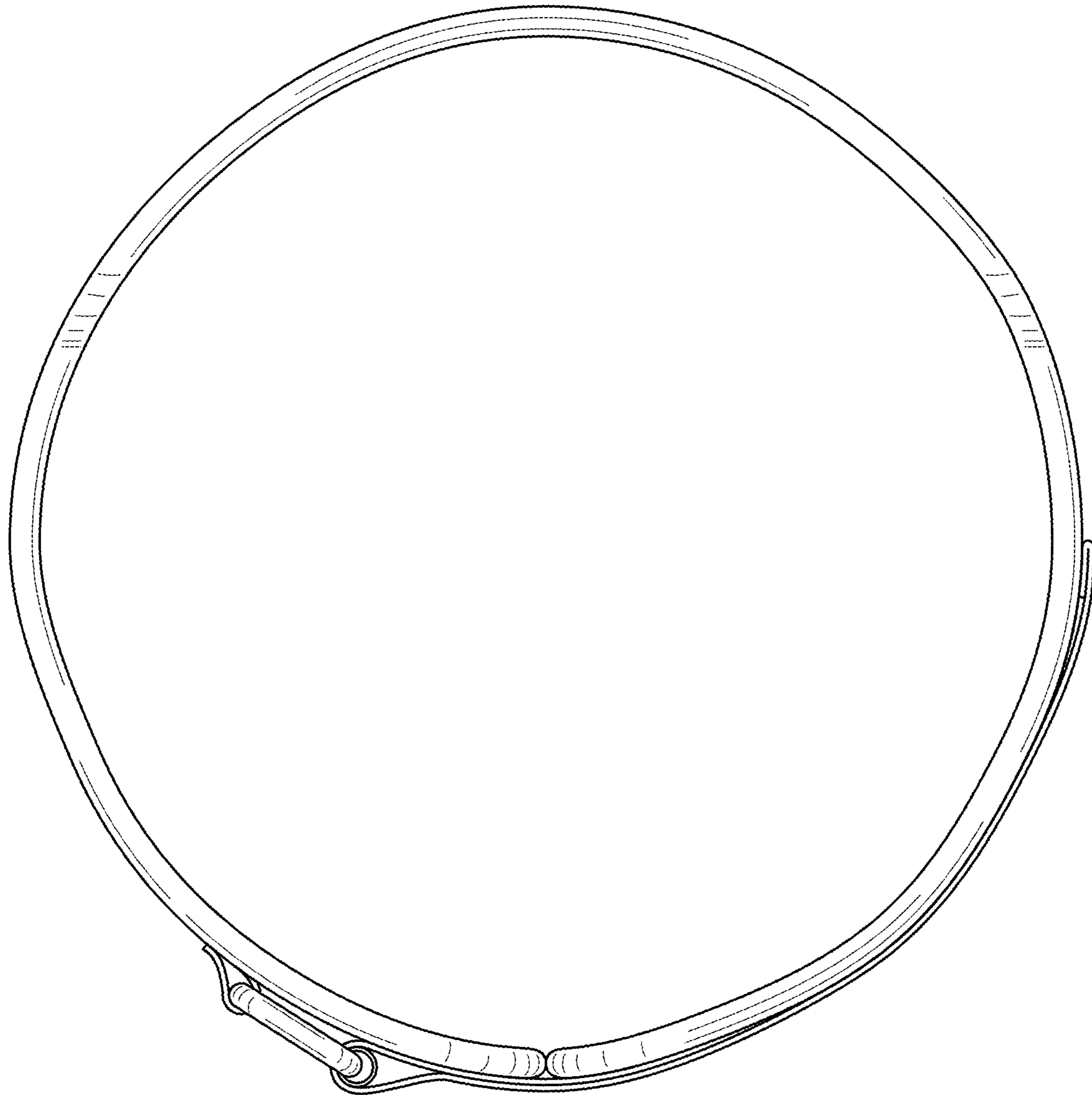


FIG. 7