



US00D957649S

(12) **United States Design Patent**
Pallasmaa et al.

(10) **Patent No.:** **US D957,649 S**
(45) **Date of Patent:** **** Jul. 12, 2022**

(54) **SENSOR WITH BATTERY**

(71) Applicant: **GE Precision Healthcare LLC**,
Milwaukee, WI (US)

(72) Inventors: **Aaro Pallasmaa**, Helsinki (FI); **Emma Elina Hellman**, Helsinki (FI); **Lei Xia**,
Shanghai (CN)

(73) Assignee: **GE Precision Healthcare LLC**,
Milwaukee, WI (US)

(**) Term: **15 Years**

(21) Appl. No.: **29/760,795**

(22) Filed: **Dec. 3, 2020**

(51) **LOC (13) Cl.** **24-01**

(52) **U.S. Cl.**
USPC **D24/186**

(58) **Field of Classification Search**
USPC D24/164, 165, 167, 168, 186, 187, 200,
D24/133; D13/108; D14/341, 344;
D10/46
CPC A61B 8/462; A61B 8/4411; A61B 8/4427;
A61B 8/4455; A61B 8/4472; A61B 8/56;
A61B 2560/0431; A61B 2560/0462
See application file for complete search history.

(56) **References Cited**

U.S. PATENT DOCUMENTS

D363,989 S * 11/1995 Crouse D24/187
D811,607 S * 2/2018 Kitayama D24/187

D861,884 S * 10/2019 Moon D24/187
D875,259 S * 2/2020 Moon D24/187
D878,603 S * 3/2020 Zhang D24/187
D910,857 S * 2/2021 Shibayama D24/187
2018/0092581 A1* 4/2018 Heanue A61B 5/14551
2020/0107800 A1* 4/2020 Nieminen A61B 8/4455
2020/0297316 A1* 9/2020 McLaughlin A61B 8/4455

* cited by examiner

Primary Examiner — Anhdao Doan

(74) *Attorney, Agent, or Firm* — McCoy Russell LLP

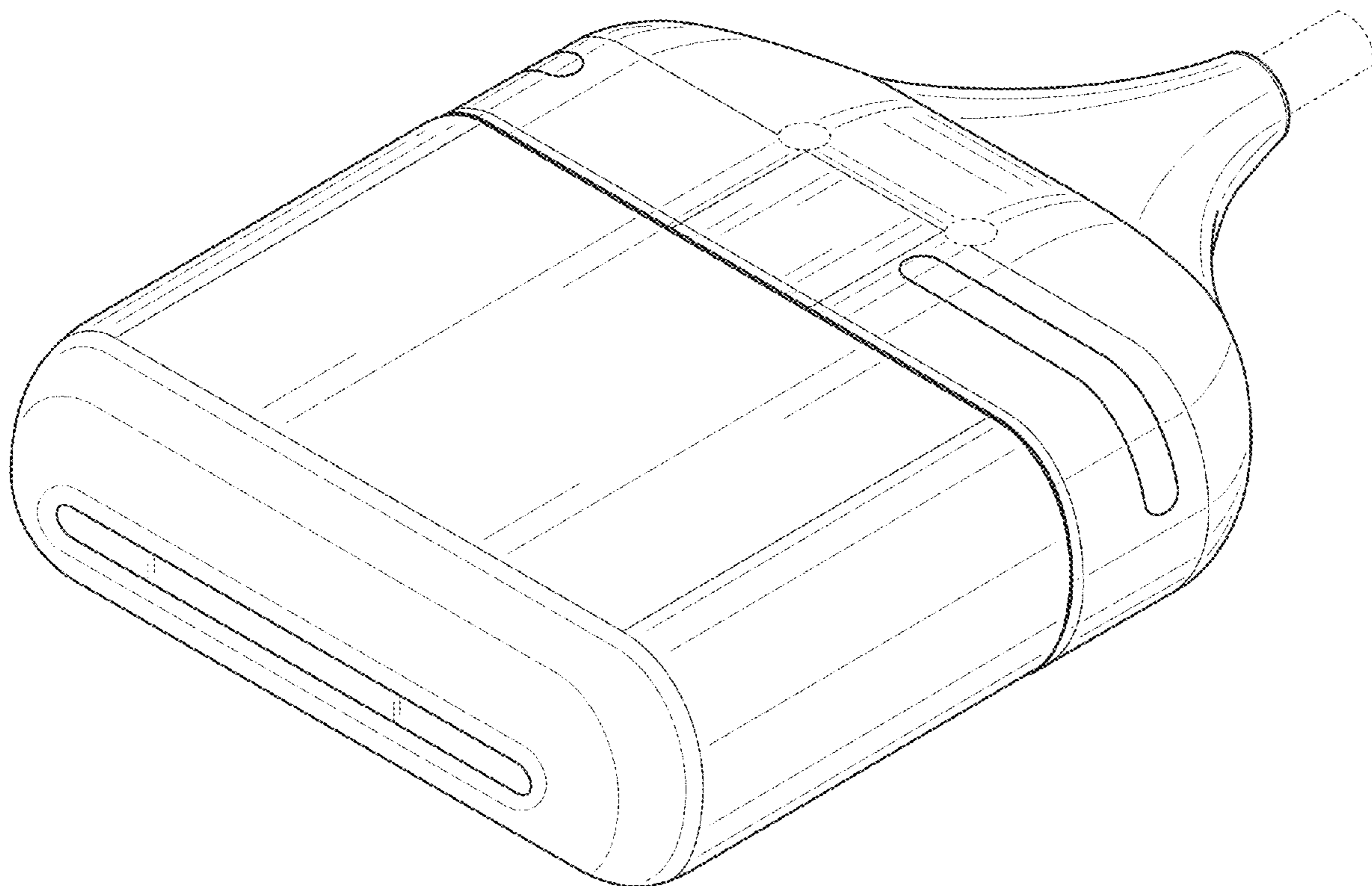
(57) **CLAIM**

The ornamental design for a sensor with battery, as shown and described.

DESCRIPTION

FIG. 1 is a front-left perspective view of a sensor with battery according to the claimed design.
FIG. 2 is a rear-left perspective view of the sensor with battery.
FIG. 3 is a front view of the sensor with battery.
FIG. 4 is a rear view of the sensor with battery.
FIG. 5 is a right side view of the sensor with battery.
FIG. 6 is a left side view of the sensor with battery.
FIG. 7 is a top view of the sensor with battery; and,
FIG. 8 is a bottom view of the sensor with battery.
The broken lines in the drawings illustrate portions of the sensor with battery that form no part of the claimed design.

1 Claim, 8 Drawing Sheets



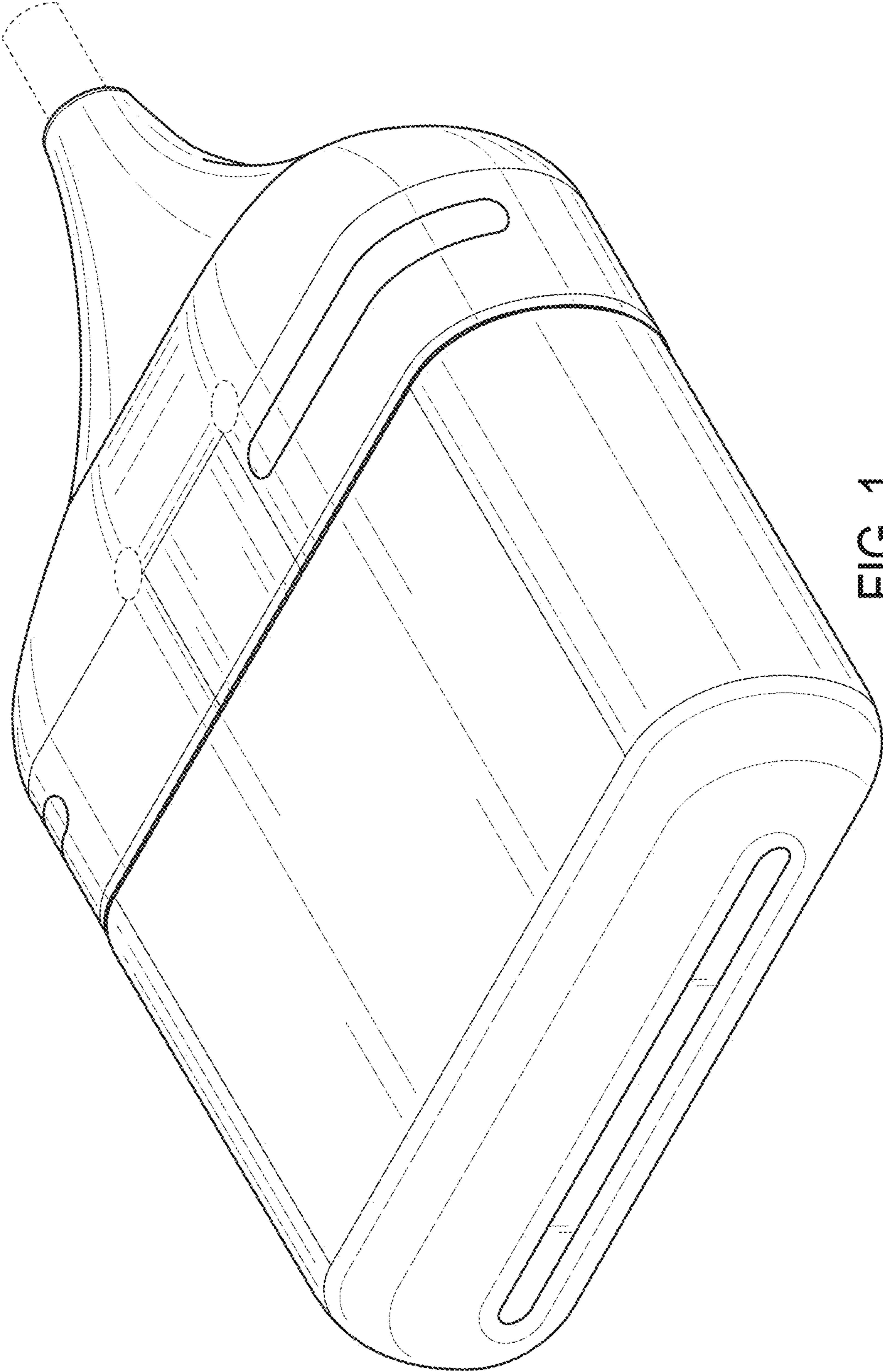


FIG. 1



FIG. 2

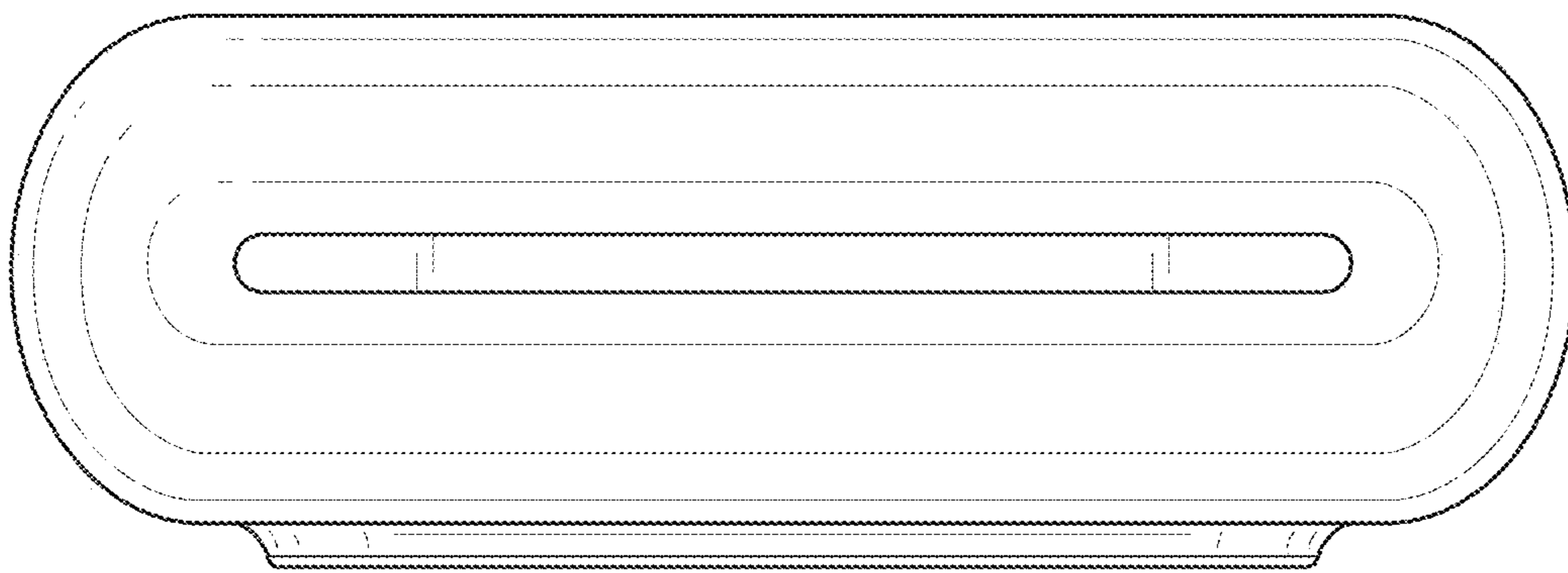


FIG. 3

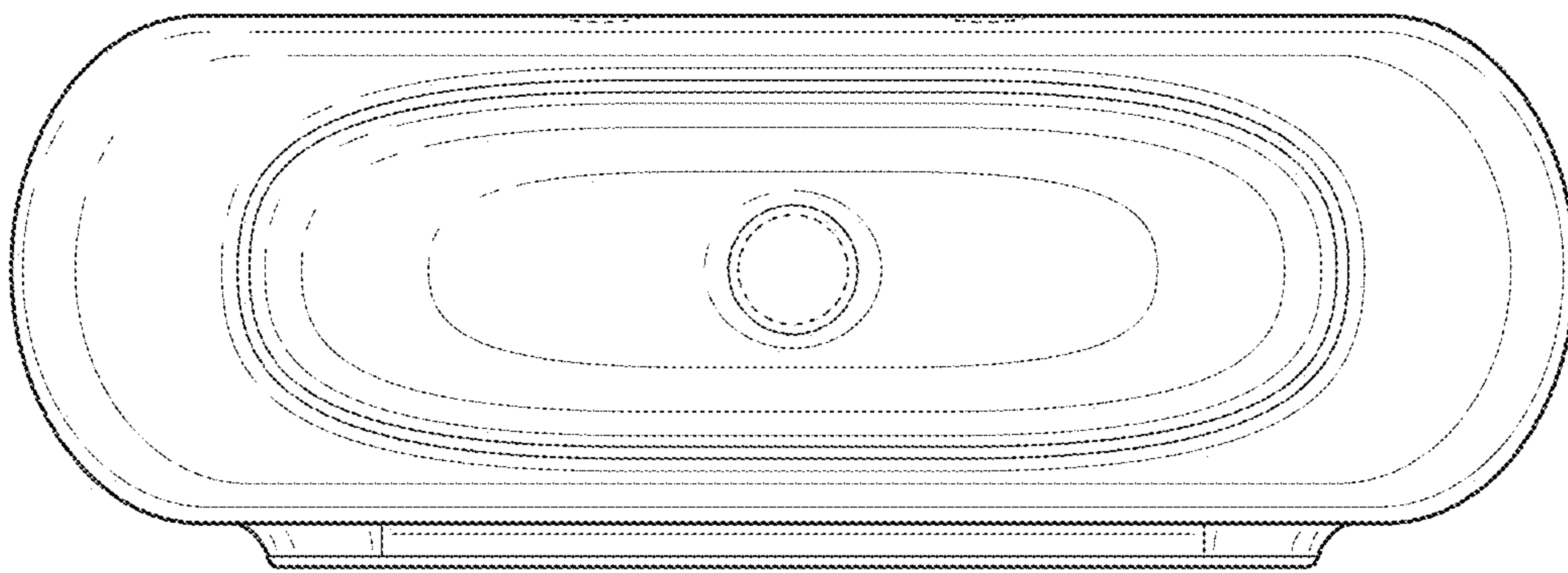


FIG. 4

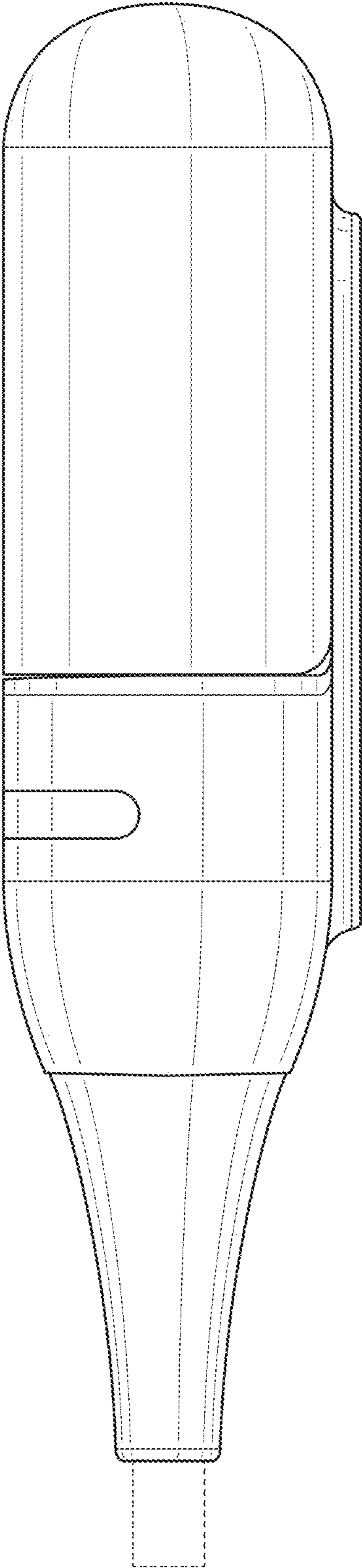


FIG. 5

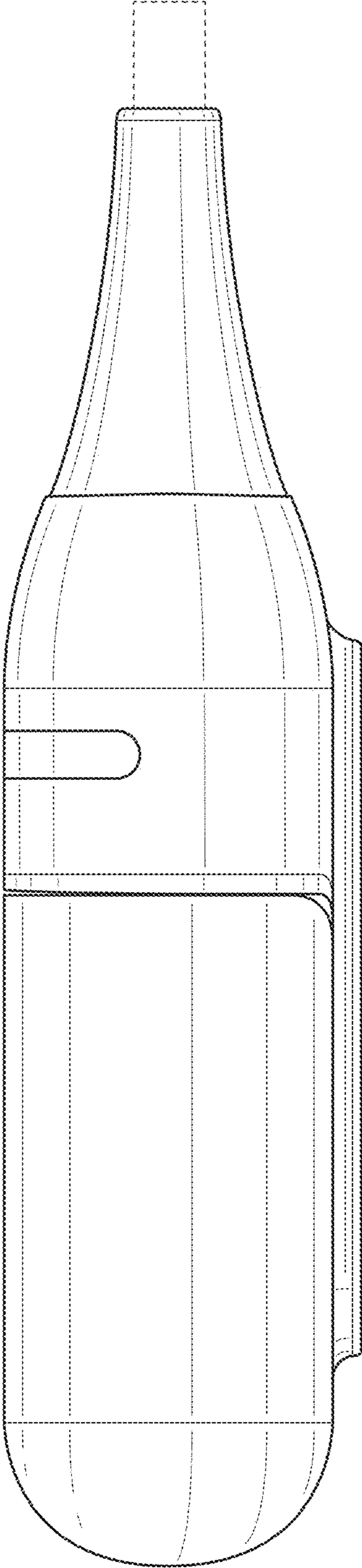


FIG. 6

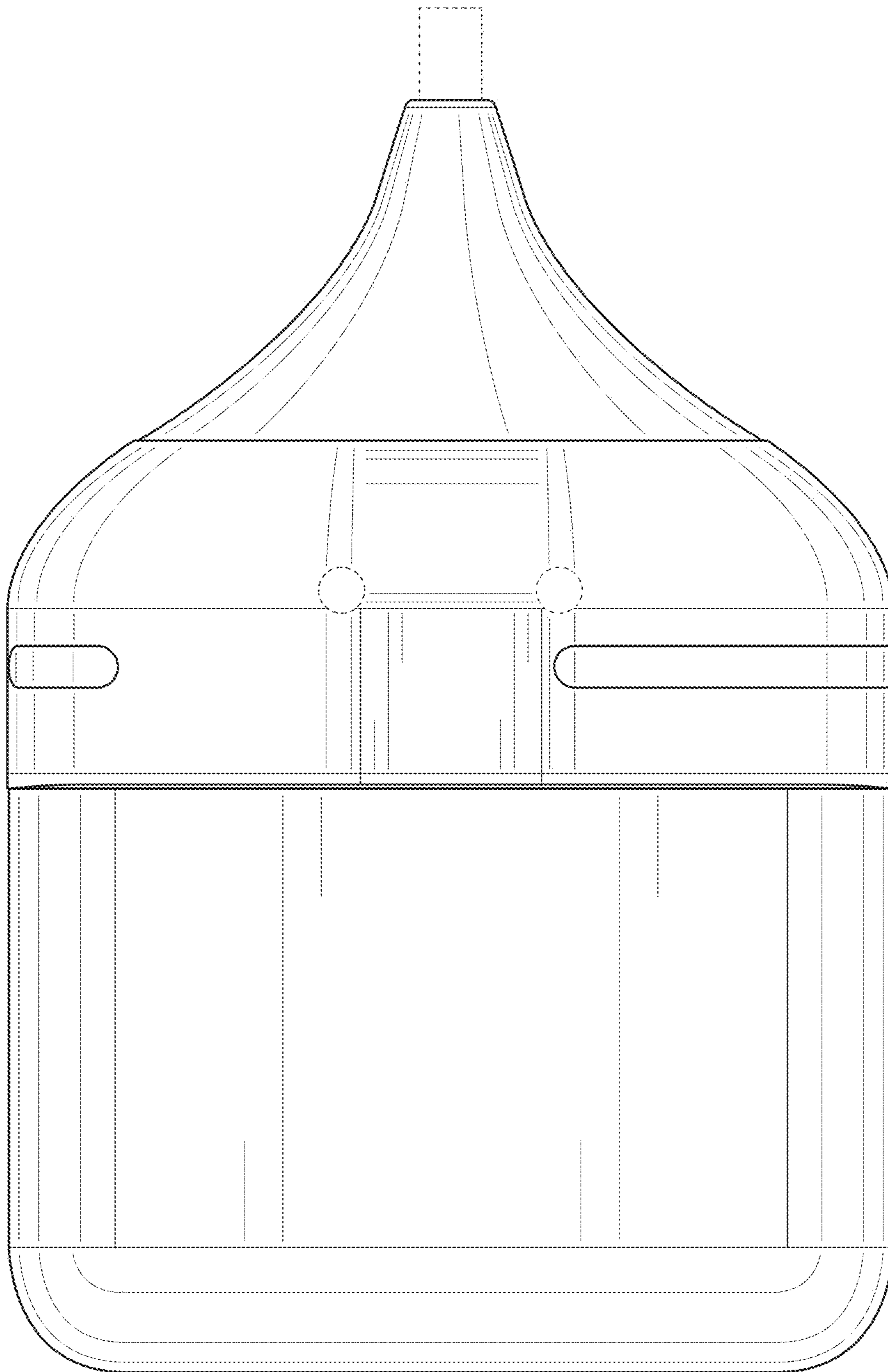


FIG. 7

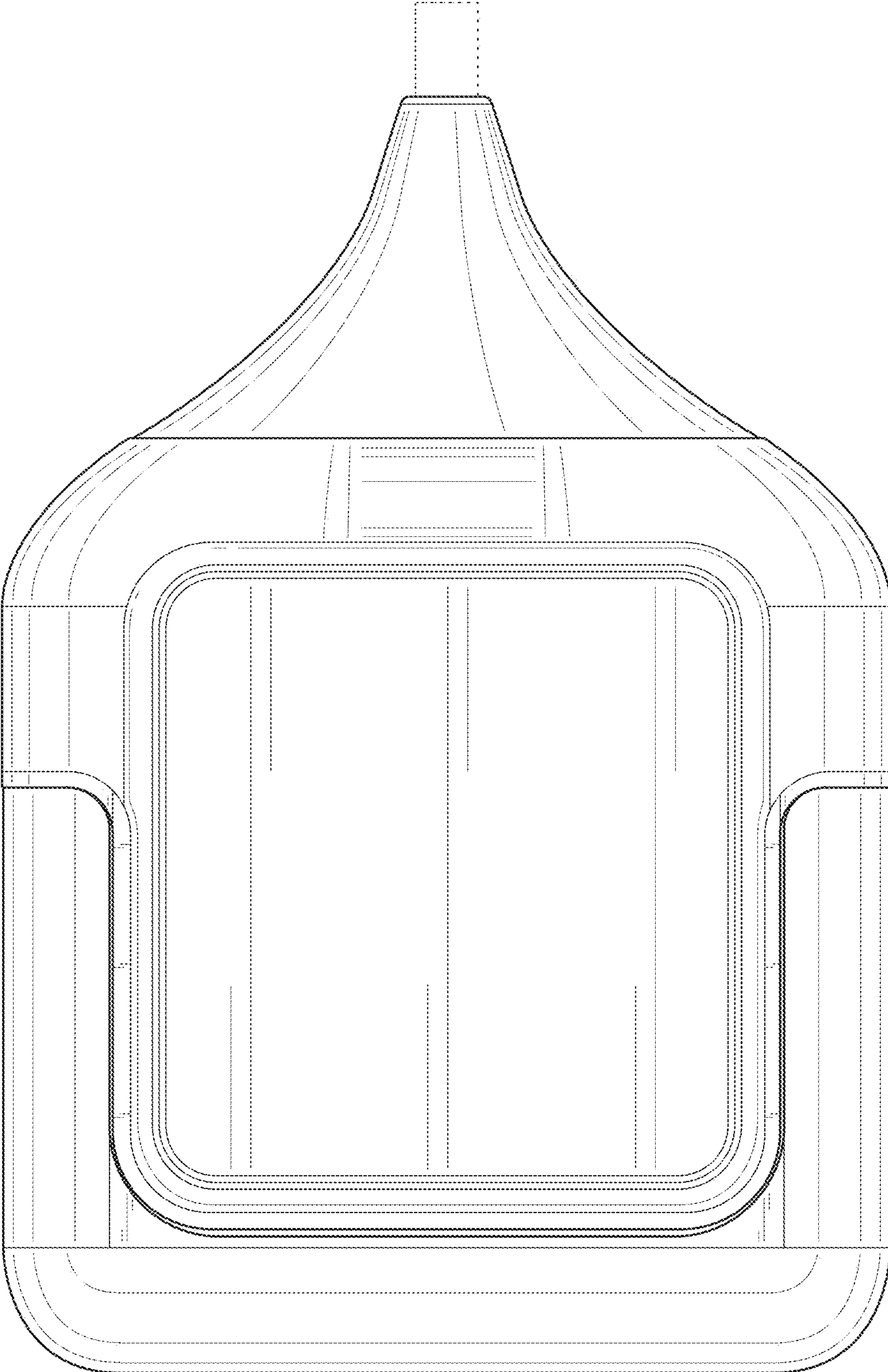


FIG. 8