



US00D957647S

(12) **United States Design Patent**
Wang et al.

(10) **Patent No.:** **US D957,647 S**
(45) **Date of Patent:** **** Jul. 12, 2022**

(54) **WORKBENCH**
(71) Applicant: **TINAVI MEDICAL TECHNOLOGIES CO., LTD.**, Beijing (CN)

D871,588 S * 12/2019 Schultz D24/185
D872,284 S * 1/2020 Koppel D24/185
D875,951 S * 2/2020 Kent D24/185
D897,537 S * 9/2020 Hulford D24/185
D910,183 S * 2/2021 Ritter D24/158
2016/0095779 A1* 4/2016 Canady A61B 50/13
280/79.2

(72) Inventors: **Zhentaο Wang**, Beijing (CN); **Jincai Xu**, Beijing (CN); **Cong Peng**, Beijing (CN)

(Continued)

(73) Assignee: **TINAVI MEDICAL TECHNOLOGIES CO., LTD.**, Beijing (CN)

FOREIGN PATENT DOCUMENTS

CN 201530301112 * 12/2015

Primary Examiner — Anhdao Doan

(74) *Attorney, Agent, or Firm* — Young Basile Hanlon & MacFarlane, P.C.

(**) Term: **15 Years**

(57) **CLAIM**

(21) Appl. No.: **29/696,105**

The ornamental design for a workbench, as shown and described.

(22) Filed: **Jun. 25, 2019**

DESCRIPTION

(30) **Foreign Application Priority Data**

Dec. 28, 2018 (CN) 201830766986.2

(51) **LOC (13) Cl.** **24-01**

(52) **U.S. Cl.**
USPC **D24/185**; D24/186

(58) **Field of Classification Search**
USPC D24/107, 167, 158, 160, 185–187, 232;
D15/199; D34/12, 14
CPC A61B 8/4405; A61B 8/462; A61B 8/467;
A61B 5/338; A61B 50/13; A61G 12/001;
A61M 2209/082; A61M 2209/084
See application file for complete search history.

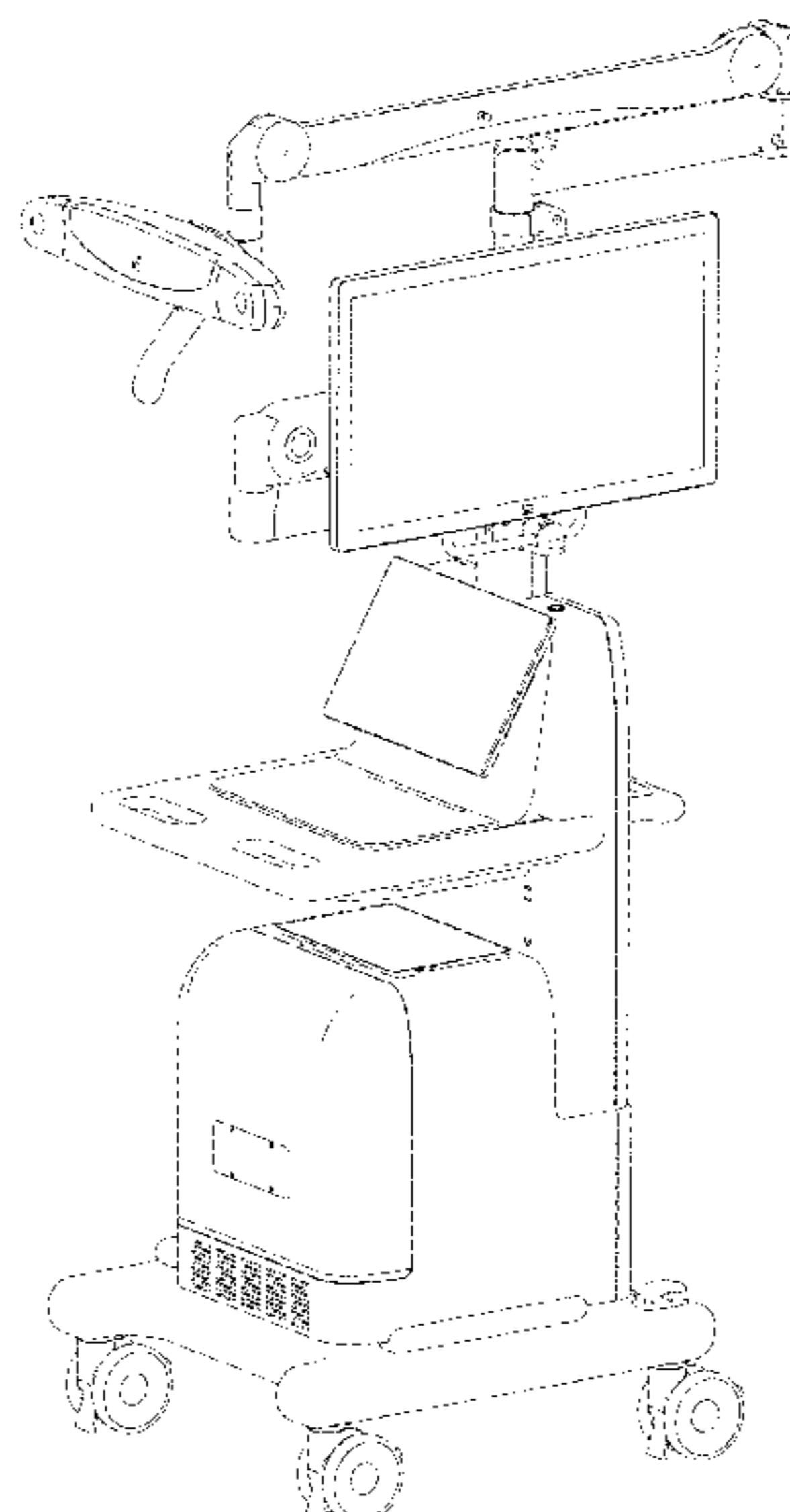
FIG. 1 is a front view of the workbench showing our new design.
FIG. 2 is a rear view of the workbench of FIG. 1.
FIG. 3 is a left side view of the workbench of FIG. 1.
FIG. 4 is a right side view of the workbench of FIG. 1.
FIG. 5 is a top view of the workbench of FIG. 1.
FIG. 6 is a bottom view of the workbench of FIG. 1.
FIG. 7 is a top, front, and right perspective view of the workbench of FIG. 1.
FIG. 8 is a top, rear, and left perspective view of the workbench of FIG. 1.
FIG. 9 is a top, front, and right perspective view of the workbench of FIG. 1, shown in a first use position.
FIG. 10 is a top, rear, and left perspective view of the workbench of FIG. 1, shown in a second use position; and, FIG. 11 is a left side view of the workbench of FIG. 1, shown in a third use position.
The broken lines illustrate portions of the workbench and form no part of the claimed design.

(56) **References Cited**

U.S. PATENT DOCUMENTS

6,626,445 B2* 9/2003 Murphy A61B 50/13
280/47.34
D743,558 S * 11/2015 Kim D24/186
D750,787 S * 3/2016 Asad D24/185
10,045,829 B1* 8/2018 Norman A61B 50/13

1 Claim, 11 Drawing Sheets



(56)

References Cited

U.S. PATENT DOCUMENTS

2021/0046637 A1* 2/2021 Meglan A61B 50/13

* cited by examiner

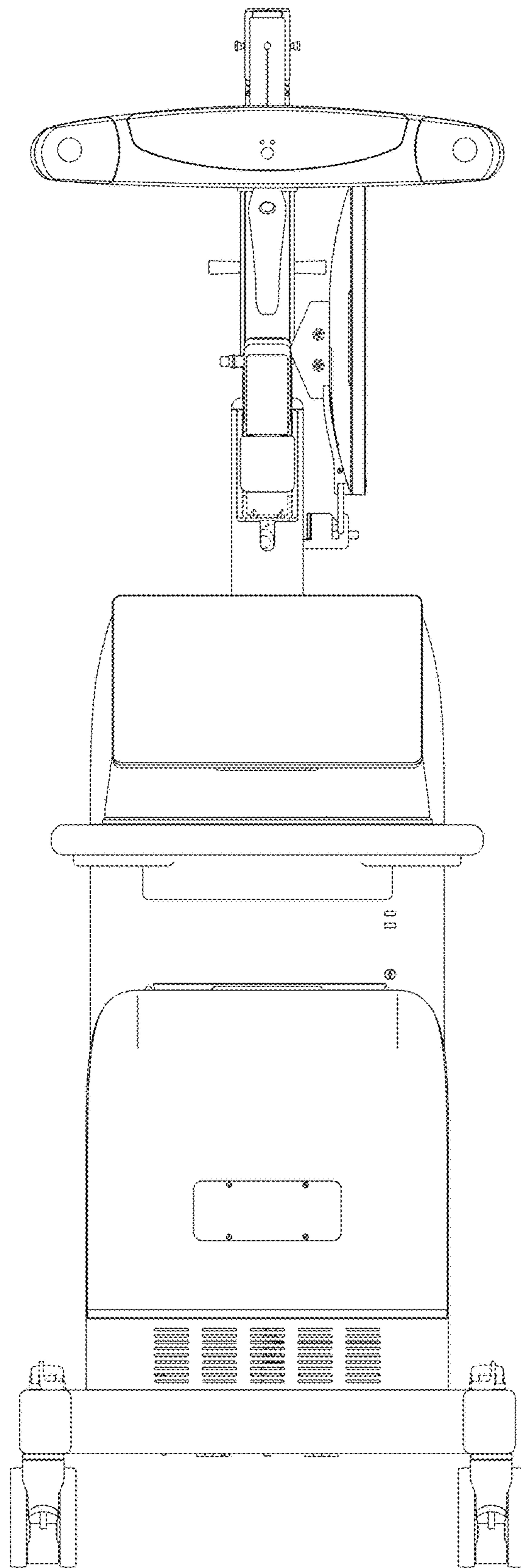


FIG. 1

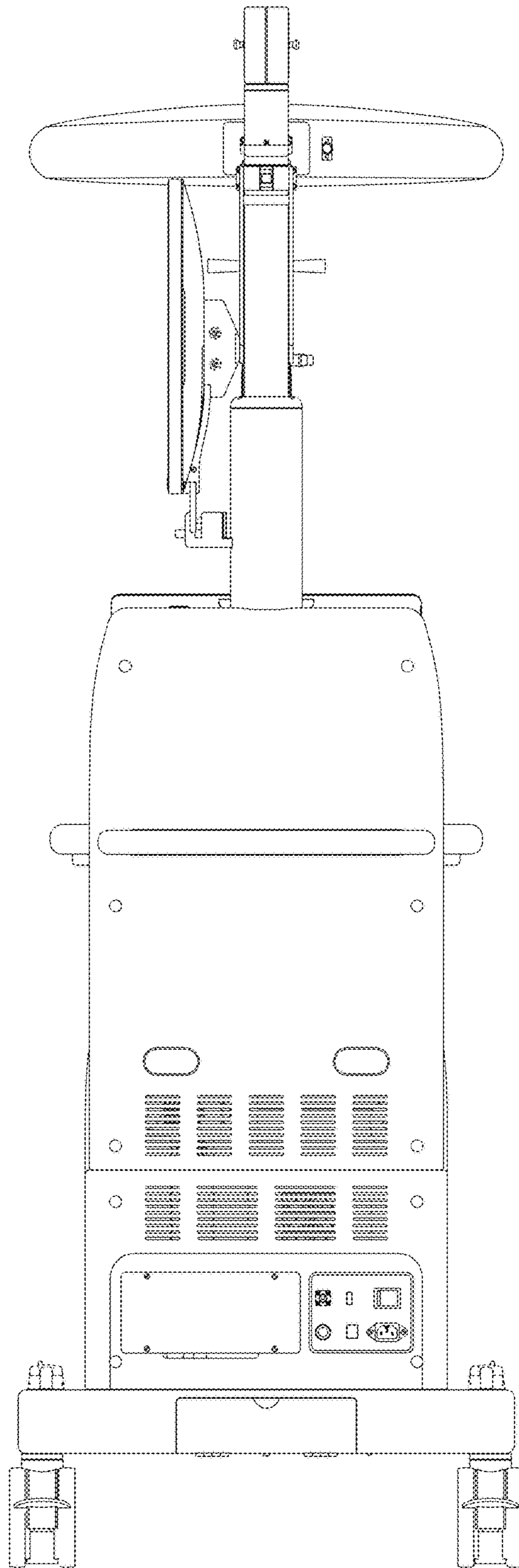


FIG. 2

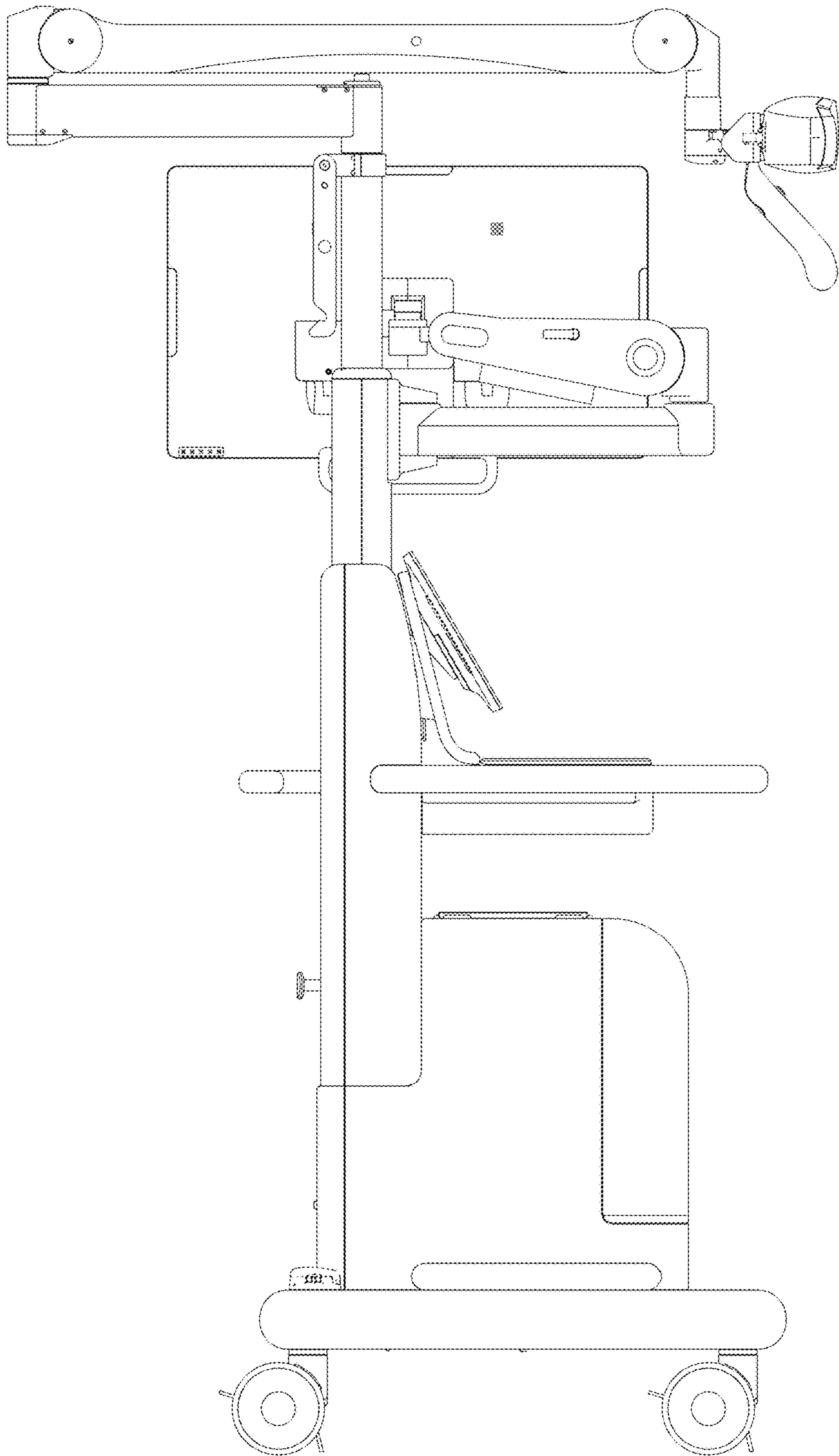


FIG. 3

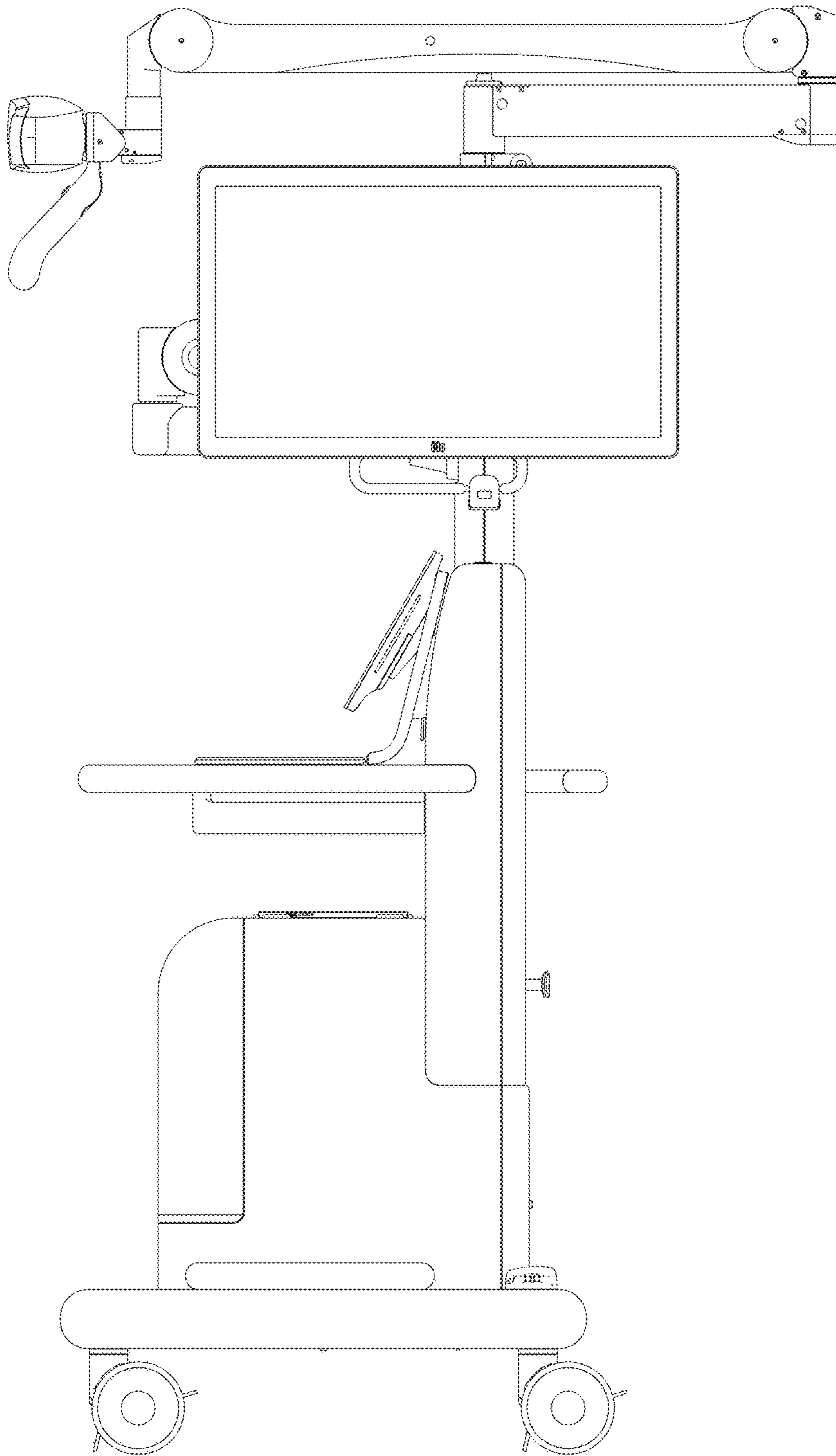


FIG. 4

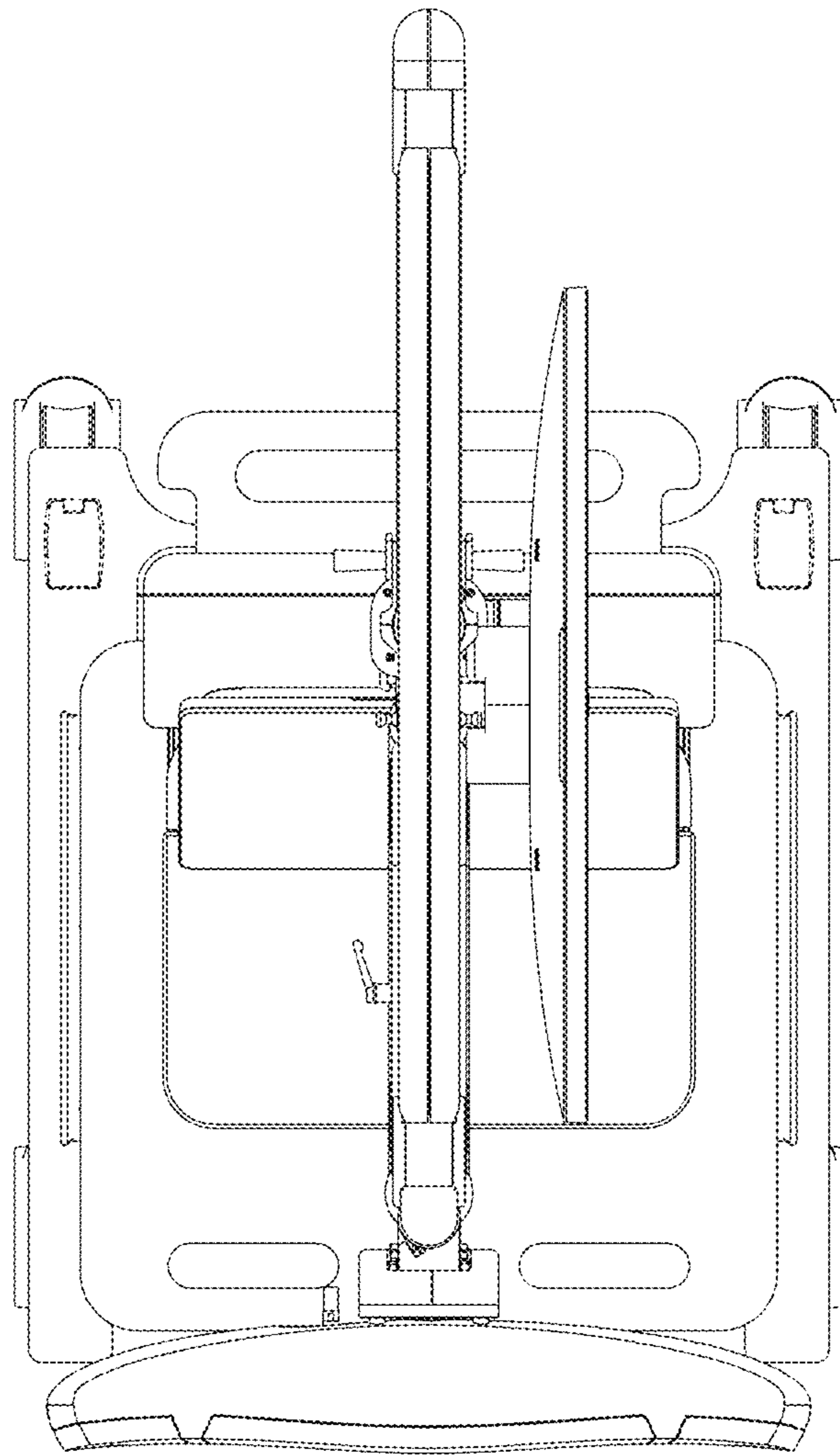


FIG. 5

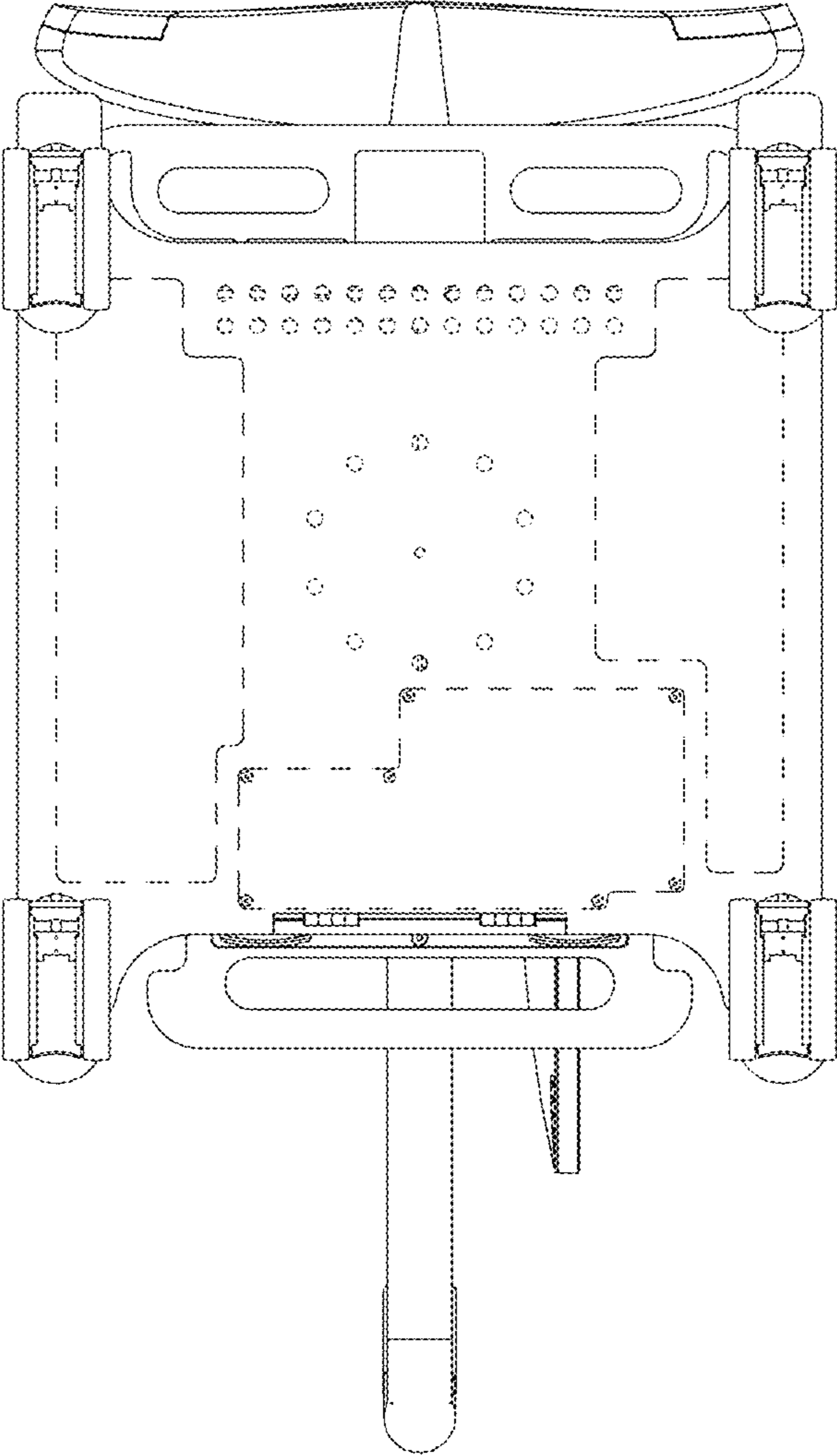


FIG. 6

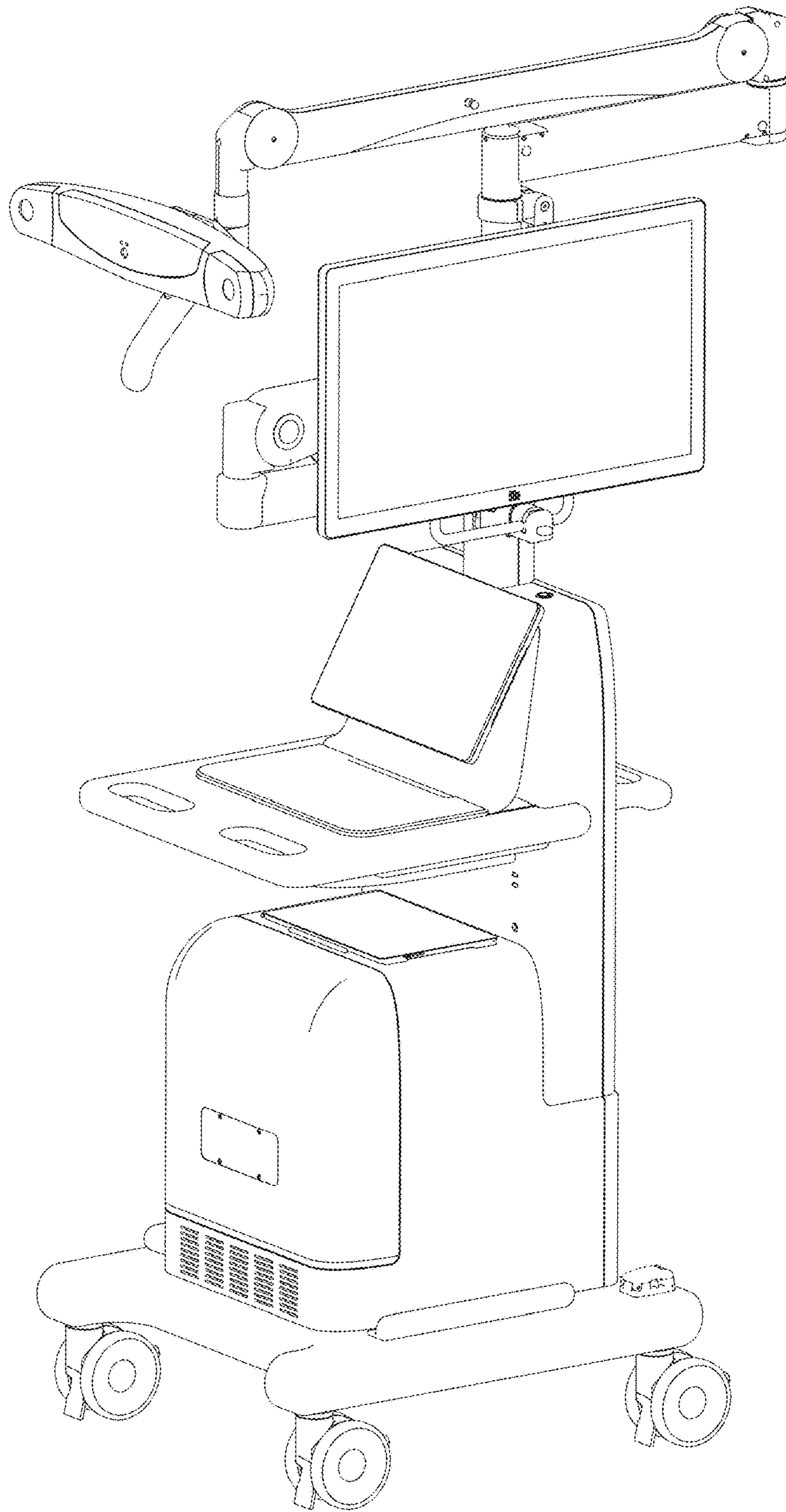


FIG. 7

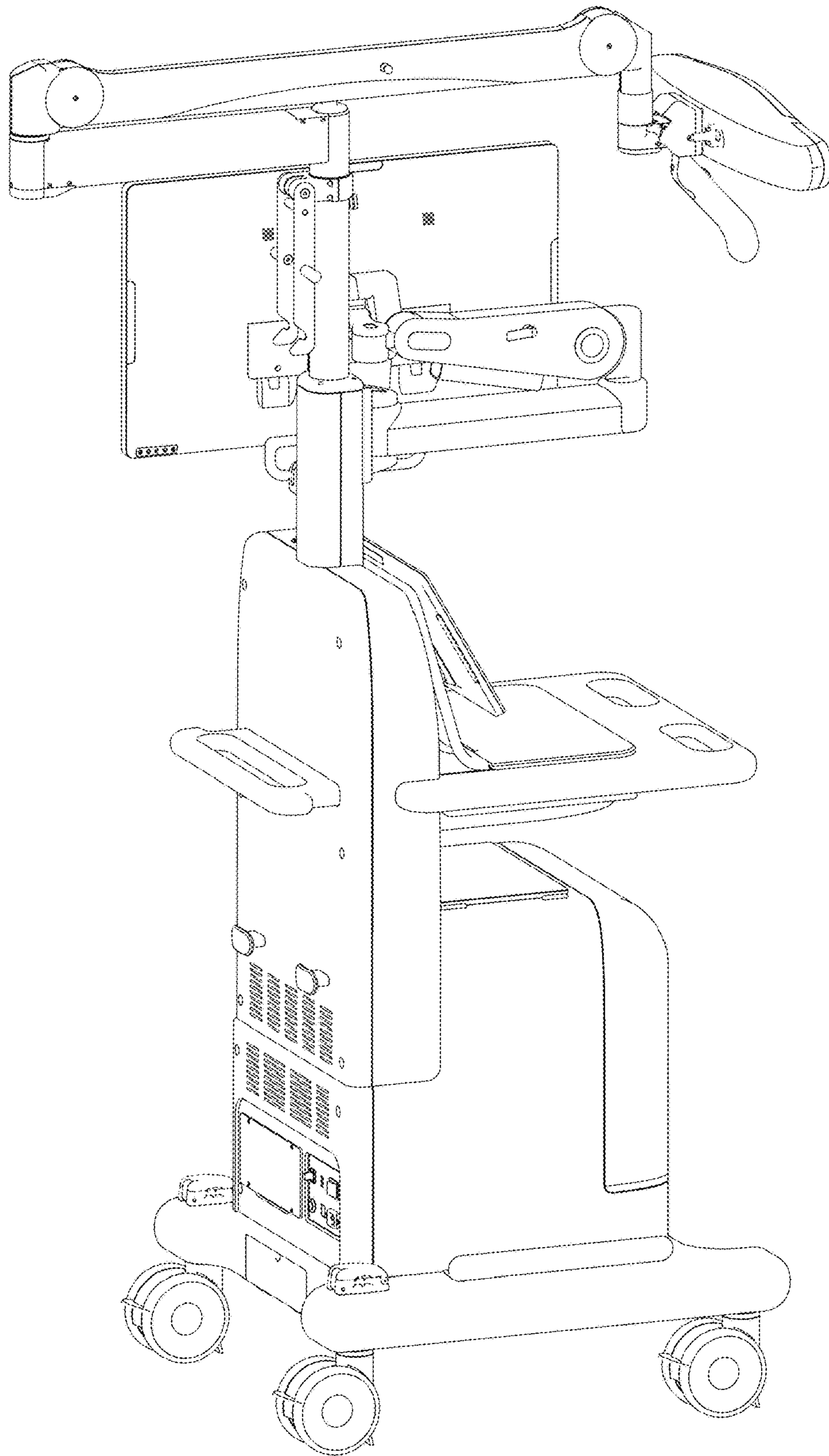


FIG. 8

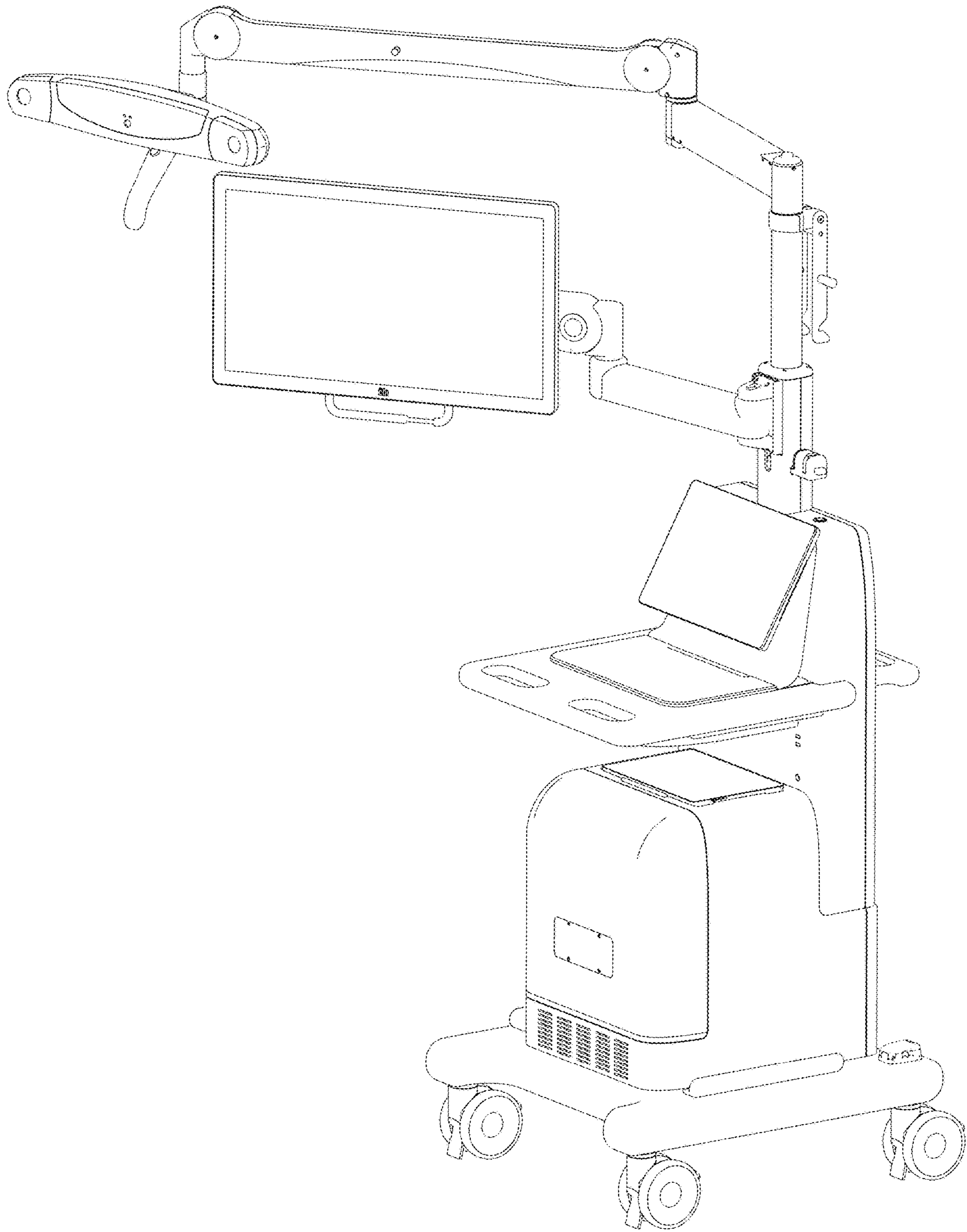


FIG. 9

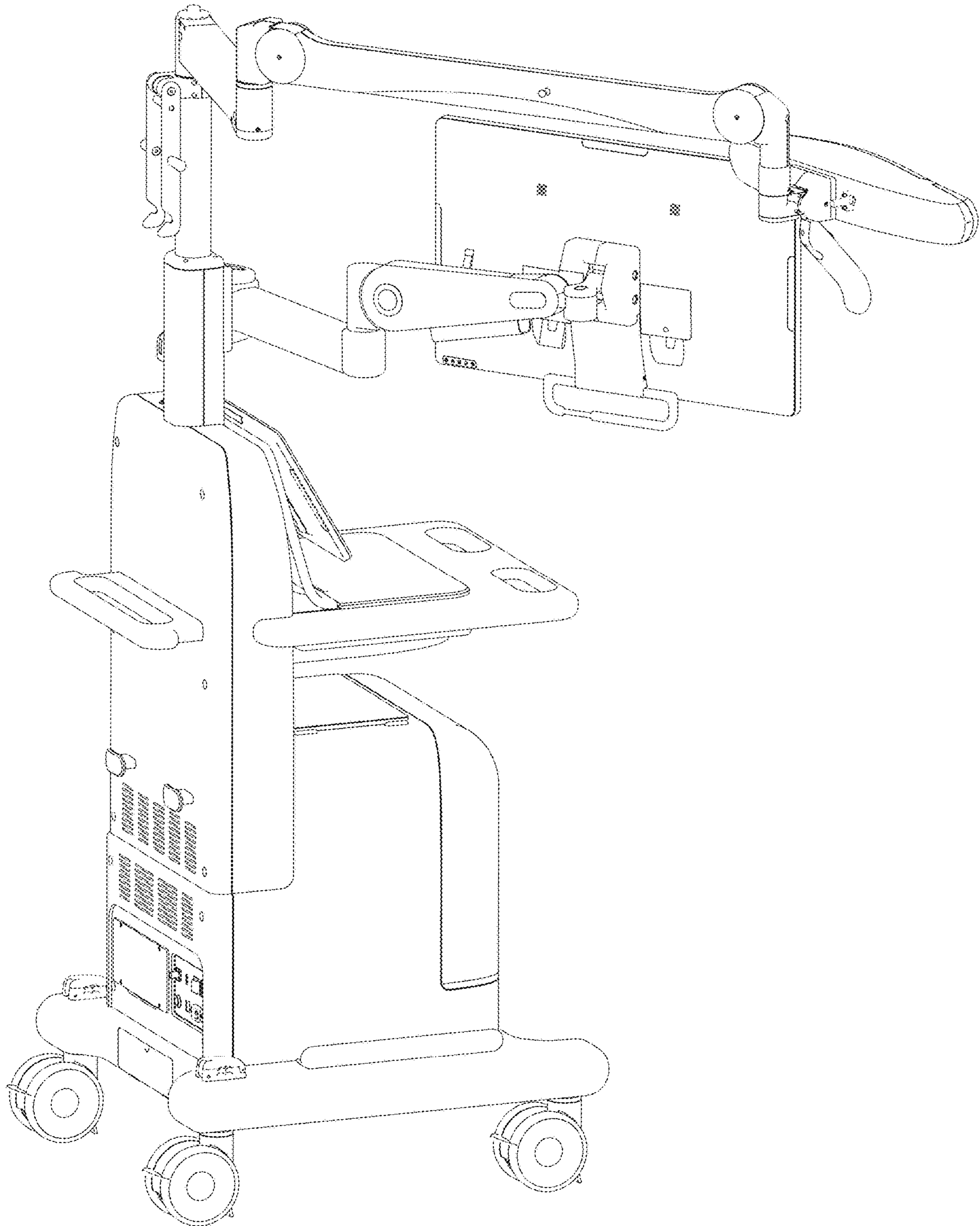


FIG. 10

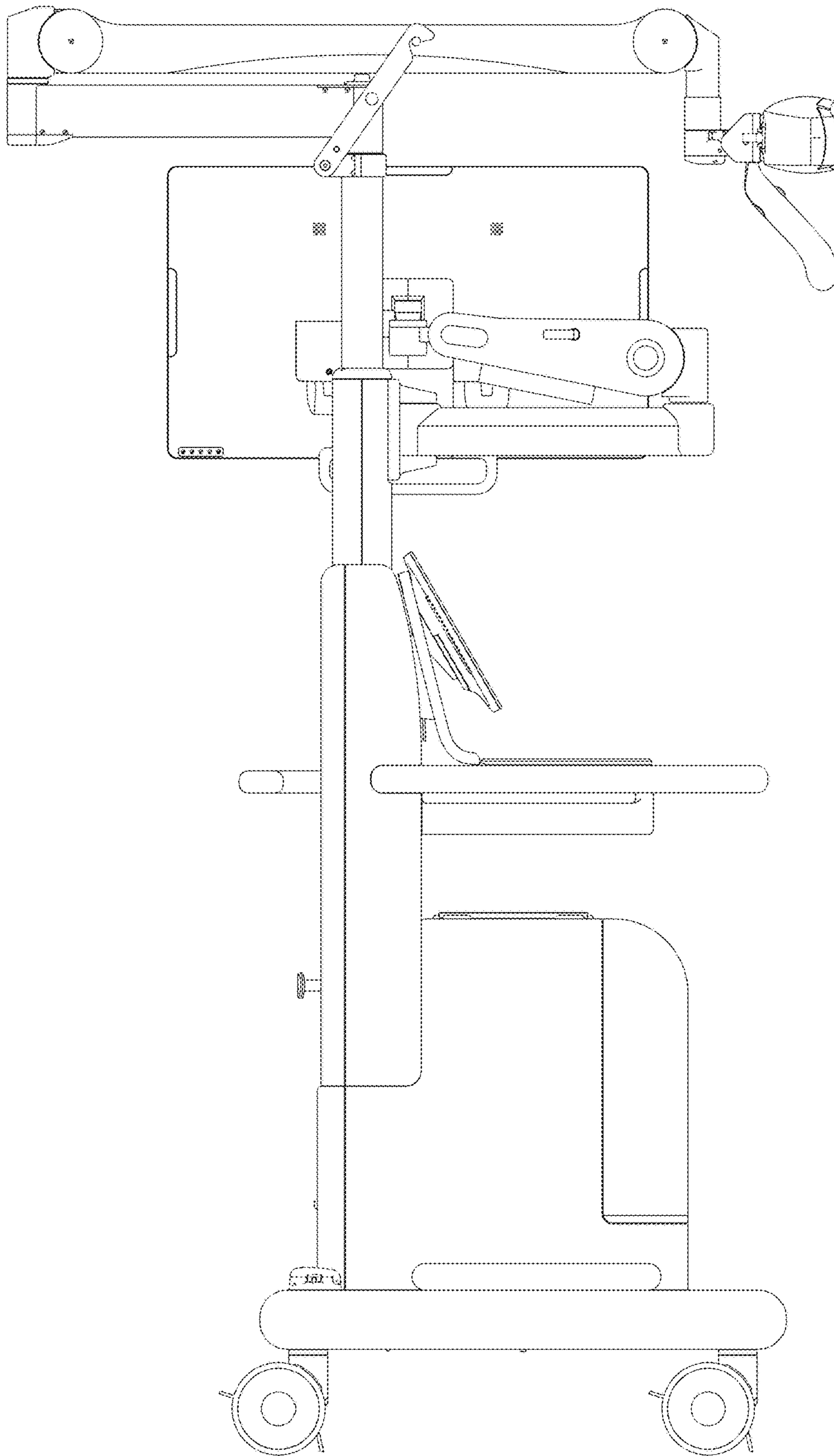


FIG. 11