



US00D957641S

(12) **United States Design Patent** (10) **Patent No.:** **US D957,641 S**  
**Li** (45) **Date of Patent:** **\*\* Jul. 12, 2022**

(54) **SPECTROMETRY OXIMETER FOR ADULTS**

(71) Applicant: **Guangdong HealthTree Medical Technology Co., Ltd., Guangdong (CN)**

(72) Inventor: **Dong Li, Guangdong (CN)**

(\*\*) Term: **15 Years**

(21) Appl. No.: **29/740,583**

(22) Filed: **Jul. 6, 2020**

(30) **Foreign Application Priority Data**

May 12, 2020 (CN) ..... 202030214823.0

(51) **LOC (13) Cl.** ..... **24-01**

(52) **U.S. Cl.**  
USPC ..... **D24/169**

(58) **Field of Classification Search**  
USPC ..... D24/107, 165-169, 186, 187, 200, 164;  
D10/70, 98; D14/341, 344  
CPC ..... G01N 33/66; G01N 33/49; G01N 33/493;  
A61B 5/0205; A61B 5/02427; A61B  
5/02438; A61B 5/14552; A61B 5/6626;  
A61B 5/6638

See application file for complete search history.

(56) **References Cited**

**U.S. PATENT DOCUMENTS**

D670,388 S \* 11/2012 Jin ..... D24/169  
D691,726 S \* 10/2013 Jin ..... D24/169  
D903,872 S \* 12/2020 Wang ..... D24/169  
D918,394 S \* 5/2021 Hu ..... D24/169  
D922,582 S \* 6/2021 Peng ..... D24/169

D925,742 S \* 7/2021 Zhang ..... D24/169  
D926,324 S \* 7/2021 Zhang ..... D24/169  
2010/0317944 A1\* 12/2010 Wang ..... A61B 5/6838  
600/323  
2019/0090795 A1\* 3/2019 Boller ..... A61B 5/14552

**FOREIGN PATENT DOCUMENTS**

GB 6062076 \* 5/2019

**OTHER PUBLICATIONS**

Amazon.com: Fingertip Pulse Oximeter Blood Oxygen Saturation Monitor, Heart Rate and Fast Spo2 Reading Oxygen Meter with OLED Screen 2 X AAA BatteriesProduct first available: Feb. 25, 2020. Retrieved from website: [https://www.amazon.com/dp/B0854BM41R/ref=emc\\_b\\_5\\_i](https://www.amazon.com/dp/B0854BM41R/ref=emc_b_5_i).\*

\* cited by examiner

*Primary Examiner* — Anhdao Doan

(57) **CLAIM**

The ornamental design for a spectrometry oximeter for adults, as shown and described.

**DESCRIPTION**

FIG. 1 is a perspective view of the spectrometry oximeter for adults;

FIG. 2 is a front elevational view thereof;

FIG. 3 is a rear elevational view thereof;

FIG. 4 is a left side elevational view thereof;

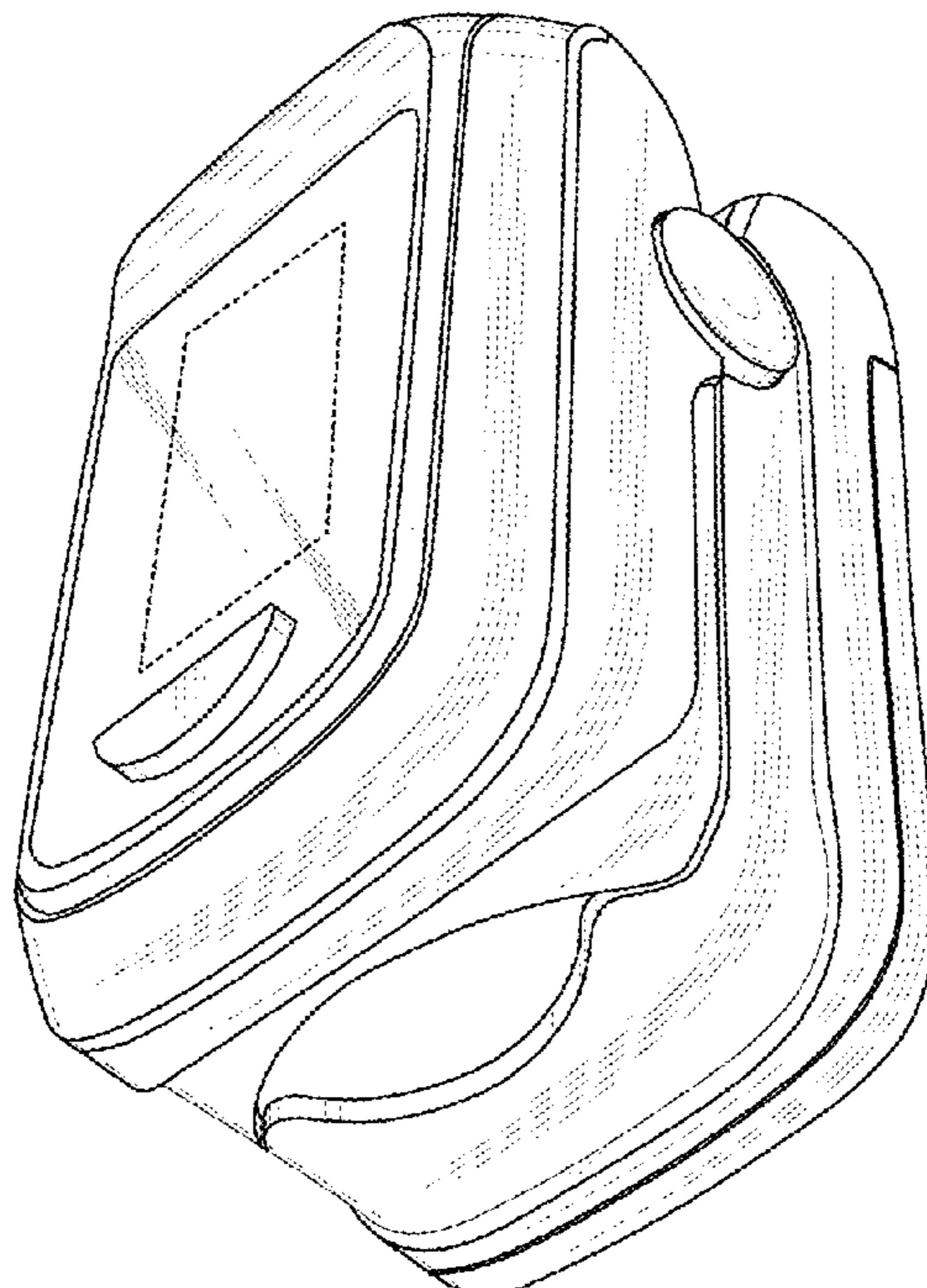
FIG. 5 is a right side elevational view thereof;

FIG. 6 is a top plan view thereof; and,

FIG. 7 is a bottom plan view thereof.

The broken lines illustrate portions of the spectrometry oximeter for adults that form no part of the claimed design.

**1 Claim, 7 Drawing Sheets**



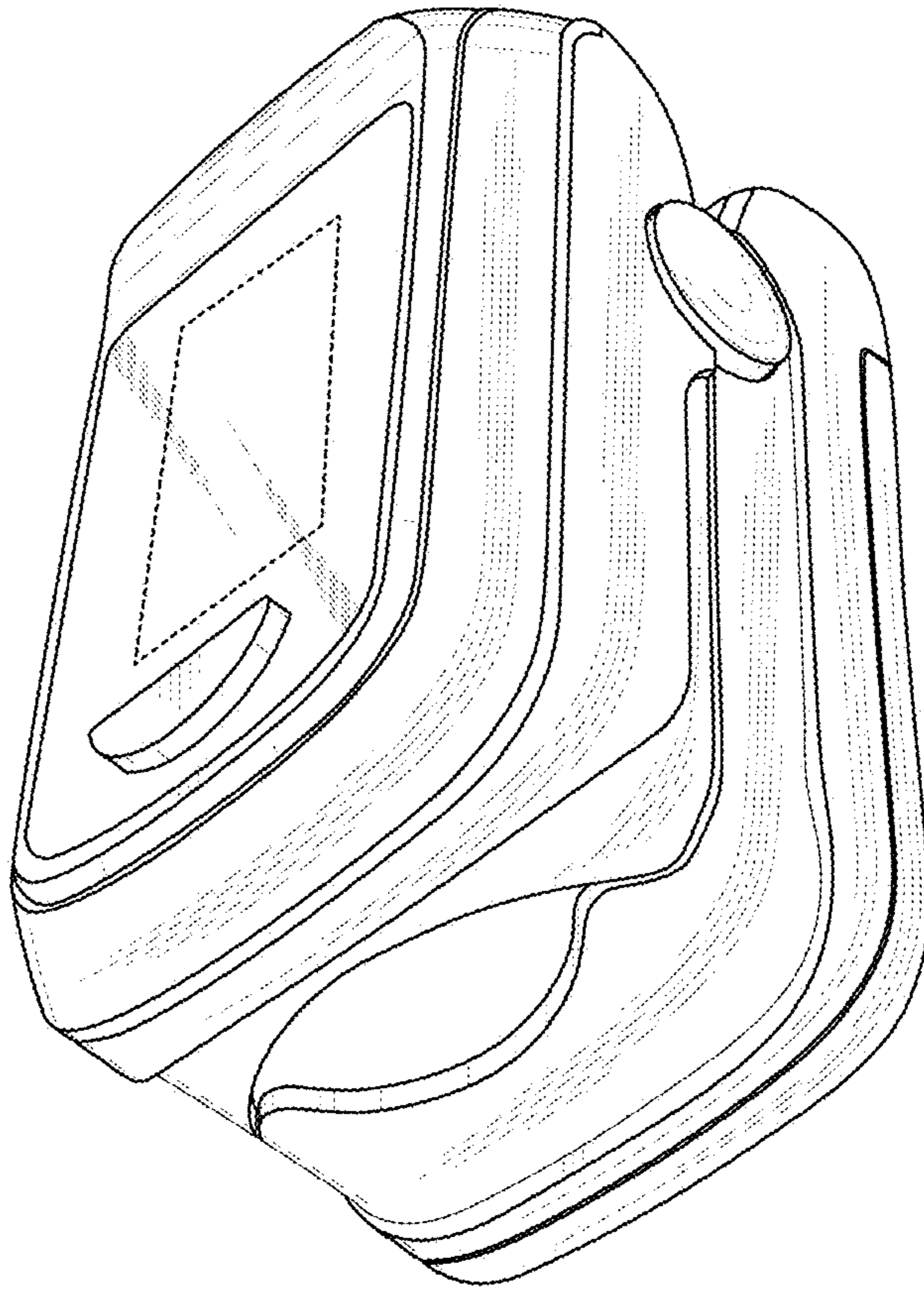


Figure 1

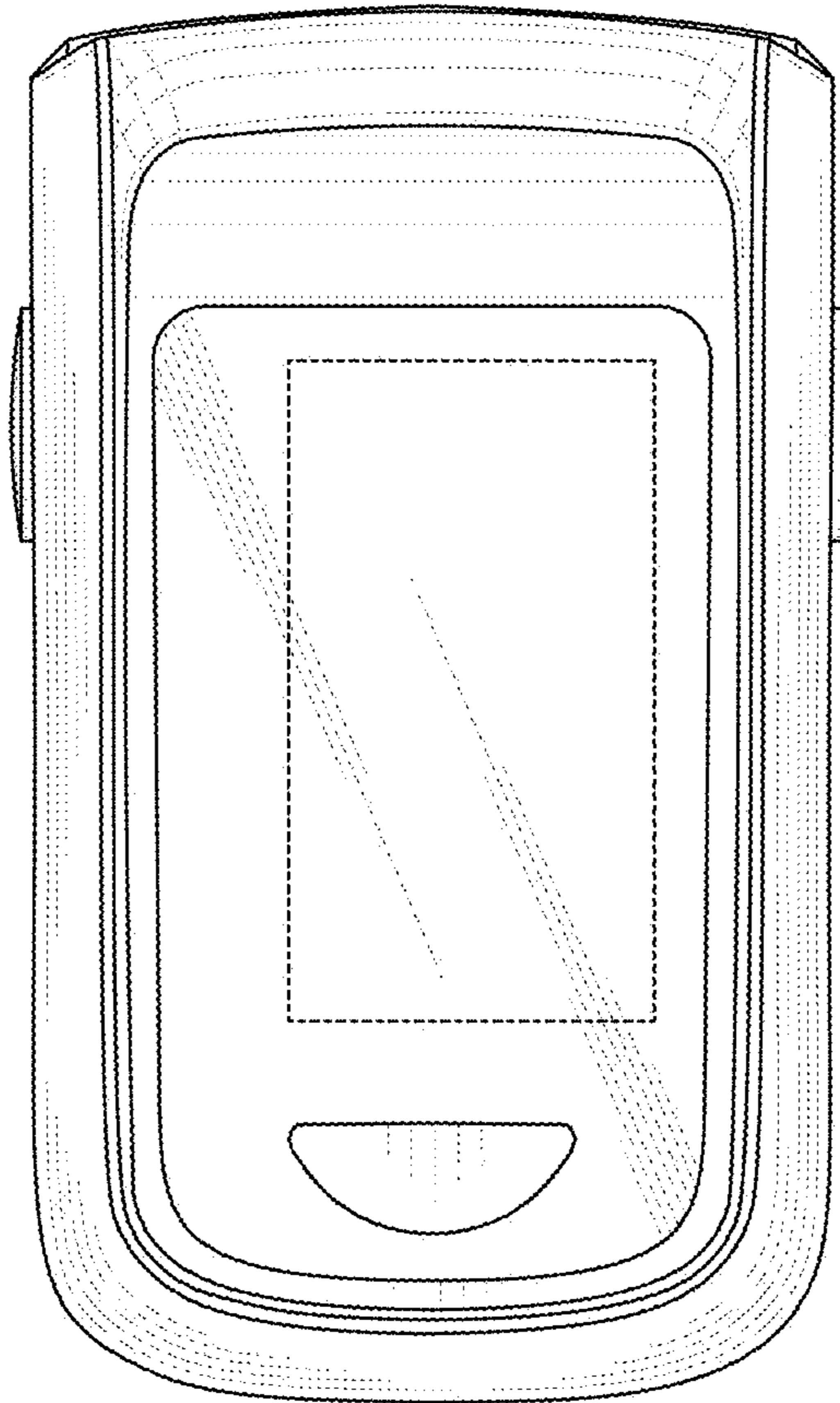


Figure 2

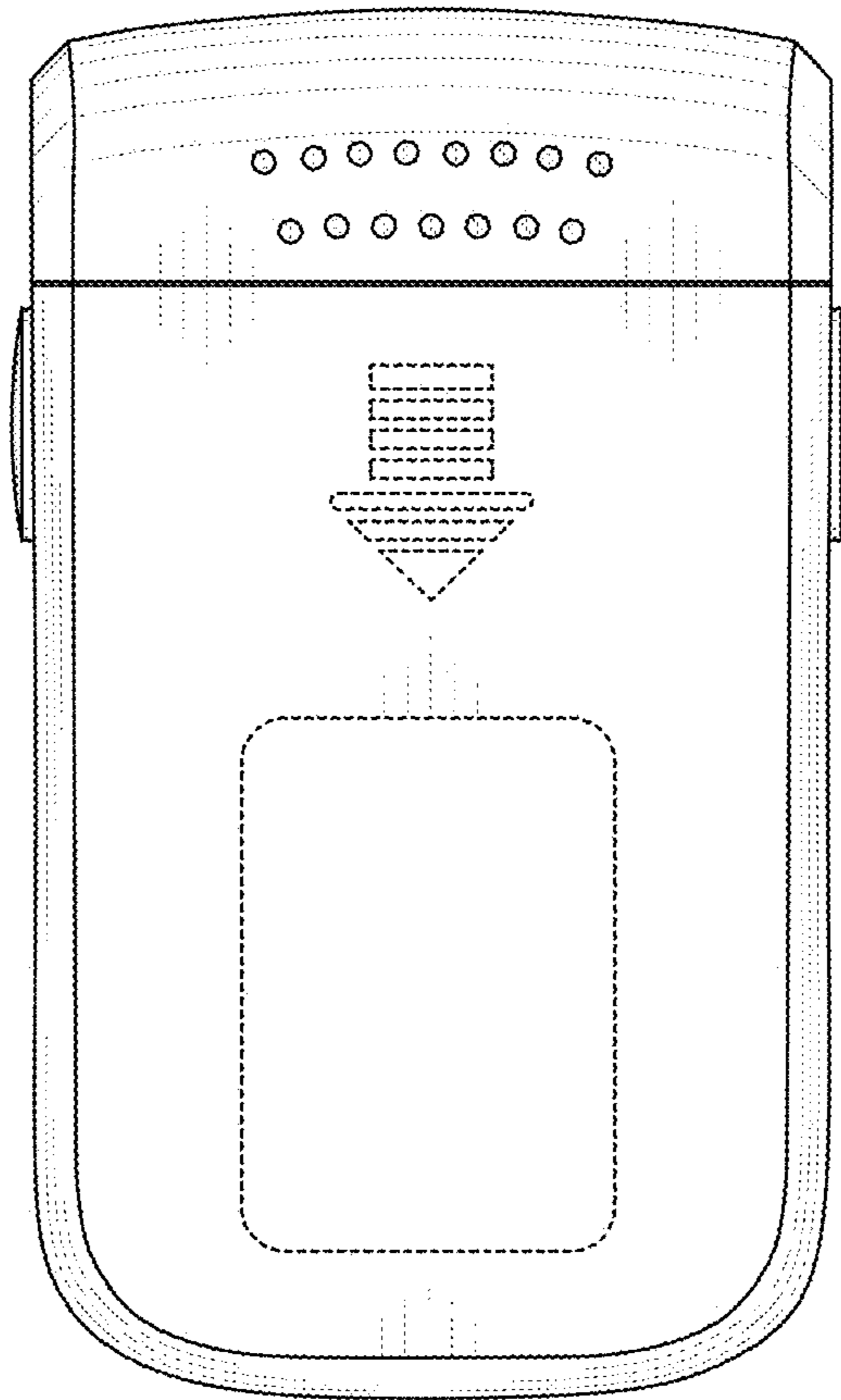


Figure 3

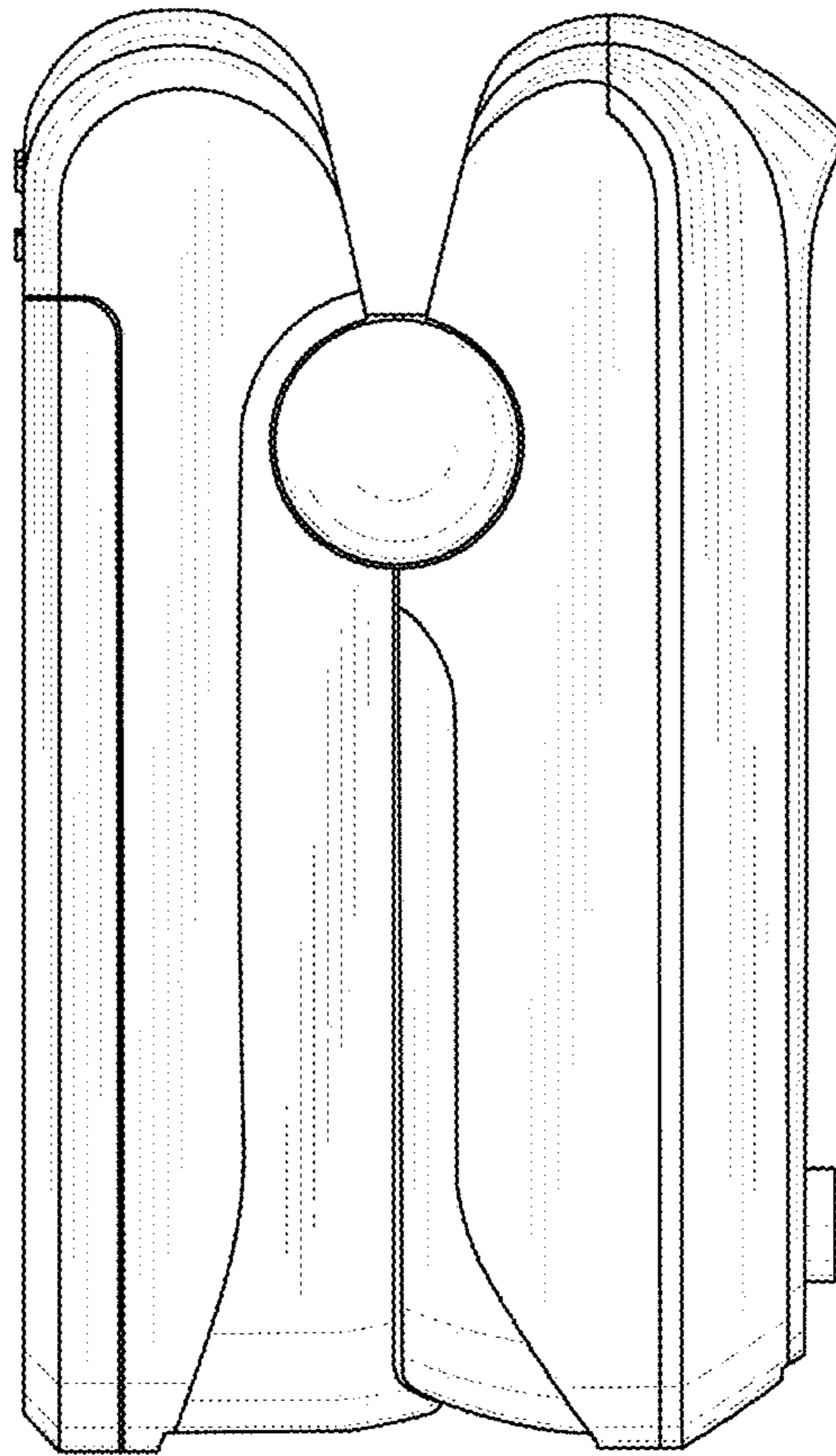


Figure 4



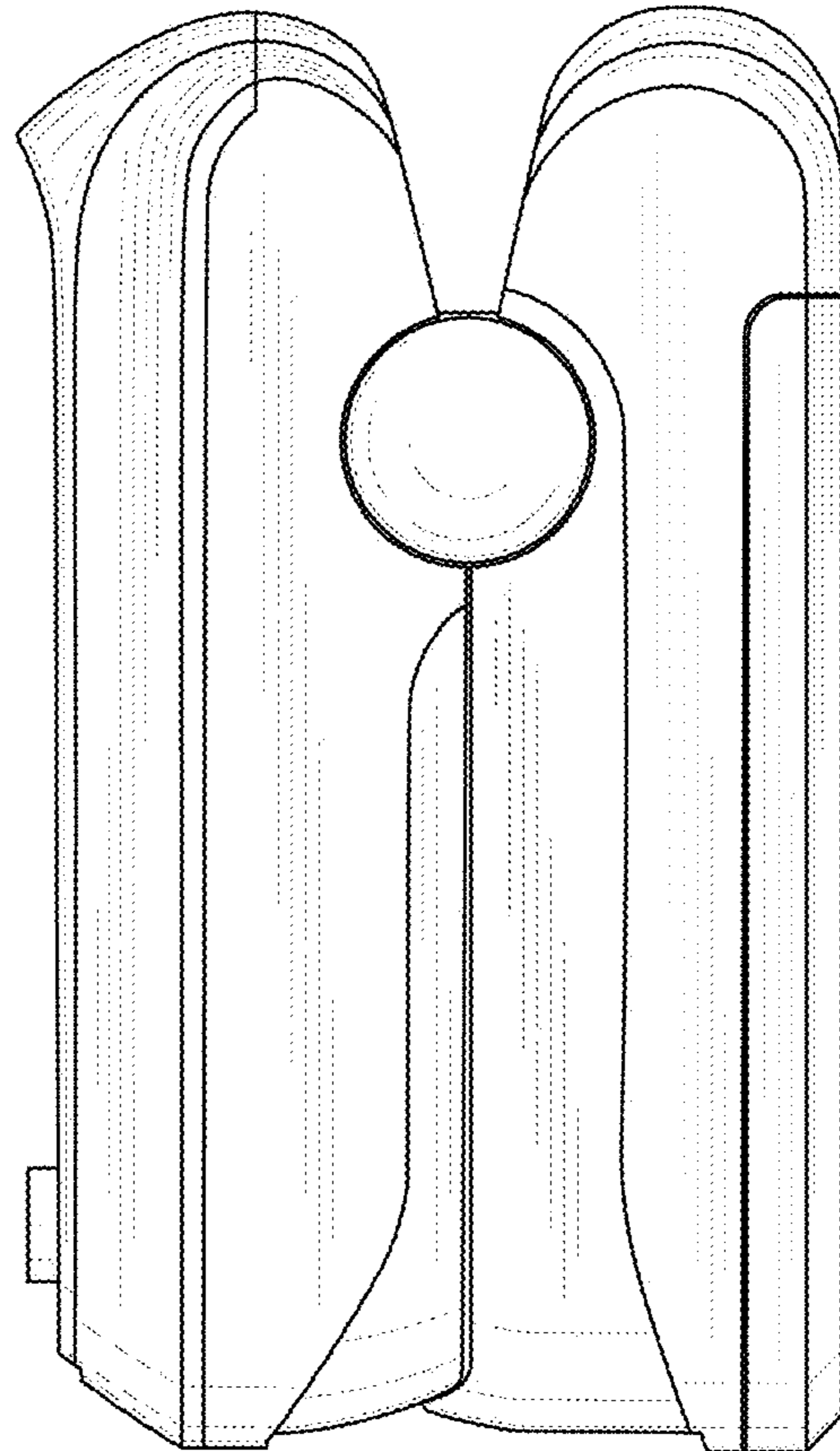


Figure 5

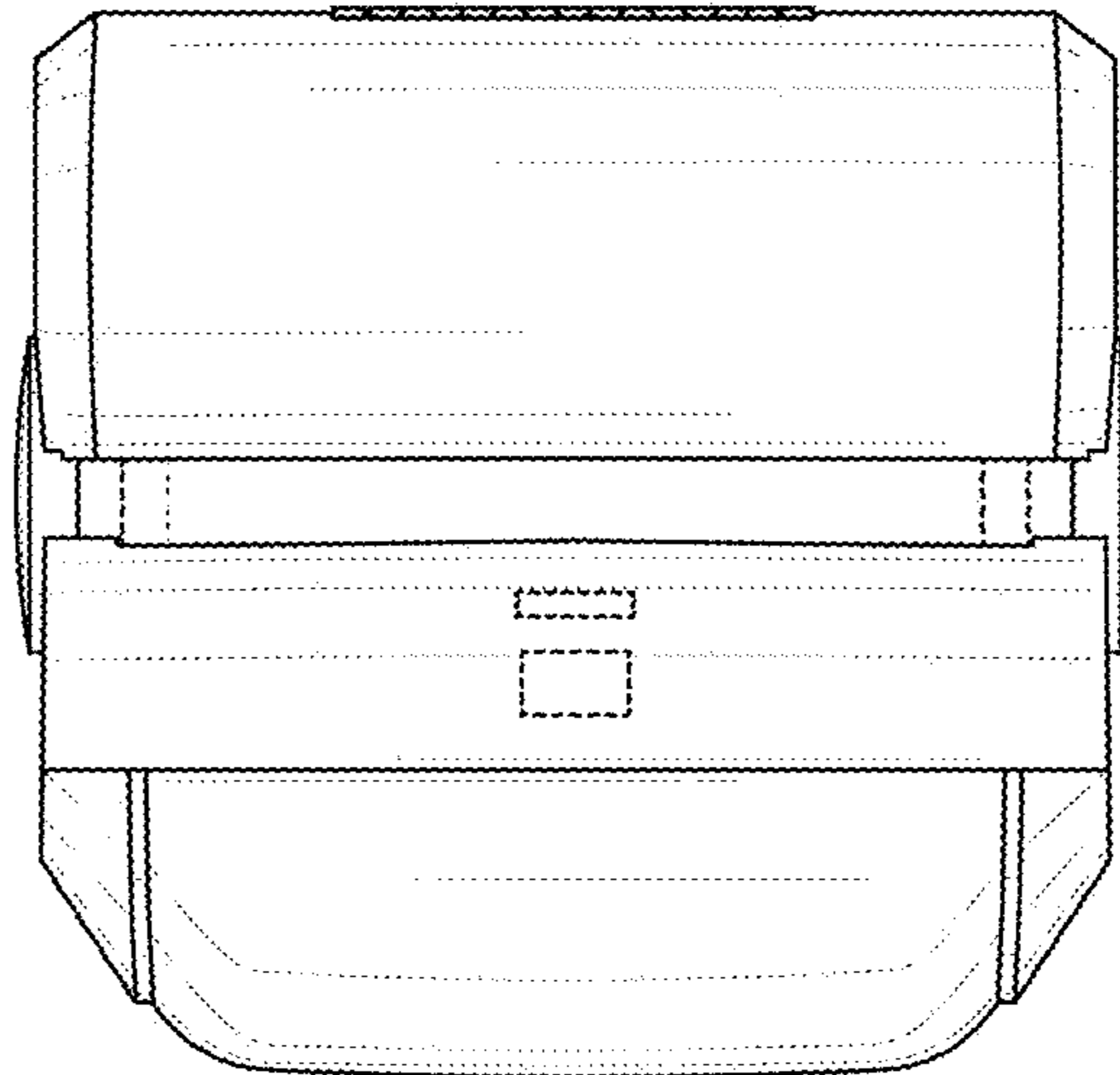


Figure 6

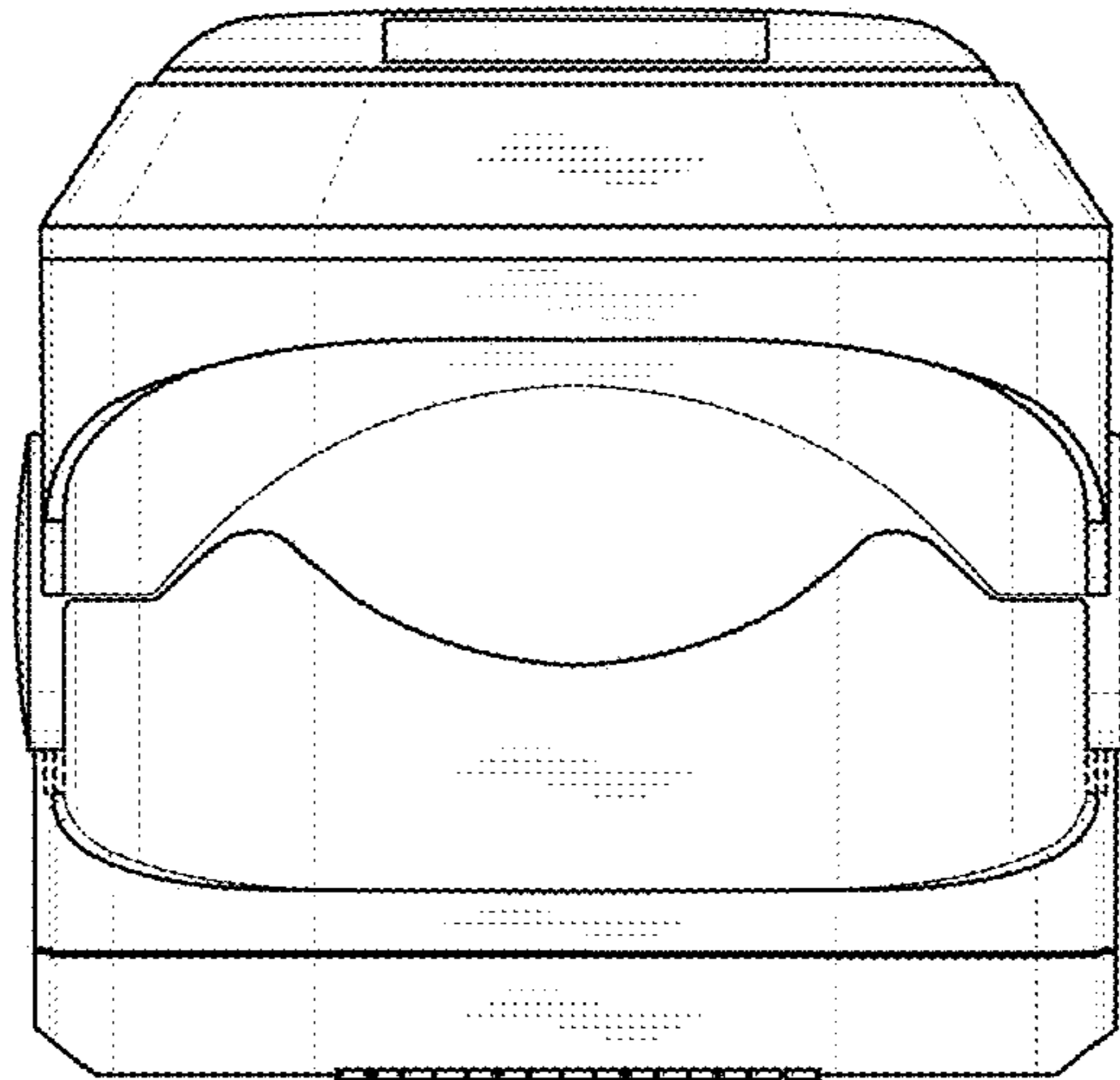


Figure 7