



US00D957638S

(12) **United States Design Patent**
Inoue et al.

(10) **Patent No.:** **US D957,638 S**
(45) **Date of Patent:** **** Jul. 12, 2022**

- (54) **ELECTROCARDIOGRAPH**
- (71) Applicant: **OMRON HEALTHCARE Co., Ltd.**,
Kyoto (JP)
- (72) Inventors: **Kosuke Inoue**, Kyoto (JP); **Brian Brigham**, Kyoto (JP)
- (73) Assignee: **Omron Healthcare Co., Ltd.**
- (**) Term: **15 Years**
- (21) Appl. No.: **29/717,414**
- (22) Filed: **Dec. 17, 2019**
- (30) **Foreign Application Priority Data**
 - Jun. 27, 2019 (JP) 2019-014390
 - Jun. 27, 2019 (JP) 2019-014391
- (51) **LOC (13) Cl.** **24-01**
- (52) **U.S. Cl.**
USPC **D24/167**
- (58) **Field of Classification Search**
USPC D24/107, 164–168, 184, 186, 187, 232;
D10/75, 32; D13/107–108; D14/344;
D11/3
CPC .. A61B 5/02; A61B 5/28; A61B 5/305; A61B
5/318; A61B 5/332; A61B 5/02055; A61B
2560/0425; A61B 5/0245; A61B 5/0255
See application file for complete search history.

- D449,890 S * 10/2001 Semeriva D24/165
- D535,028 S * 1/2007 Kobayashi D24/165
- D675,118 S * 1/2013 Shigeno D10/70
- D714,942 S * 10/2014 Hwang D24/167
- D719,263 S * 12/2014 Shibata D24/165
- D720,246 S * 12/2014 Shigeno D10/98
- D720,328 S * 12/2014 Shigeno D14/159
- D739,940 S * 9/2015 Uozumi D24/165
- D811,596 S * 2/2018 Verbrugge D24/164
- D915,599 S * 4/2021 Luo D24/165
- 2010/0234745 A1 * 9/2010 Umeda A61B 5/335
600/509
- 2017/0143221 A1 * 5/2017 Shinozaki A61B 5/316
- 2020/0315480 A1 * 10/2020 Hwang A61B 5/02055

* cited by examiner

Primary Examiner — Mary Shannon Malley
(74) *Attorney, Agent, or Firm* — Saidman DesignLaw Group, LLC

(57) **CLAIM**

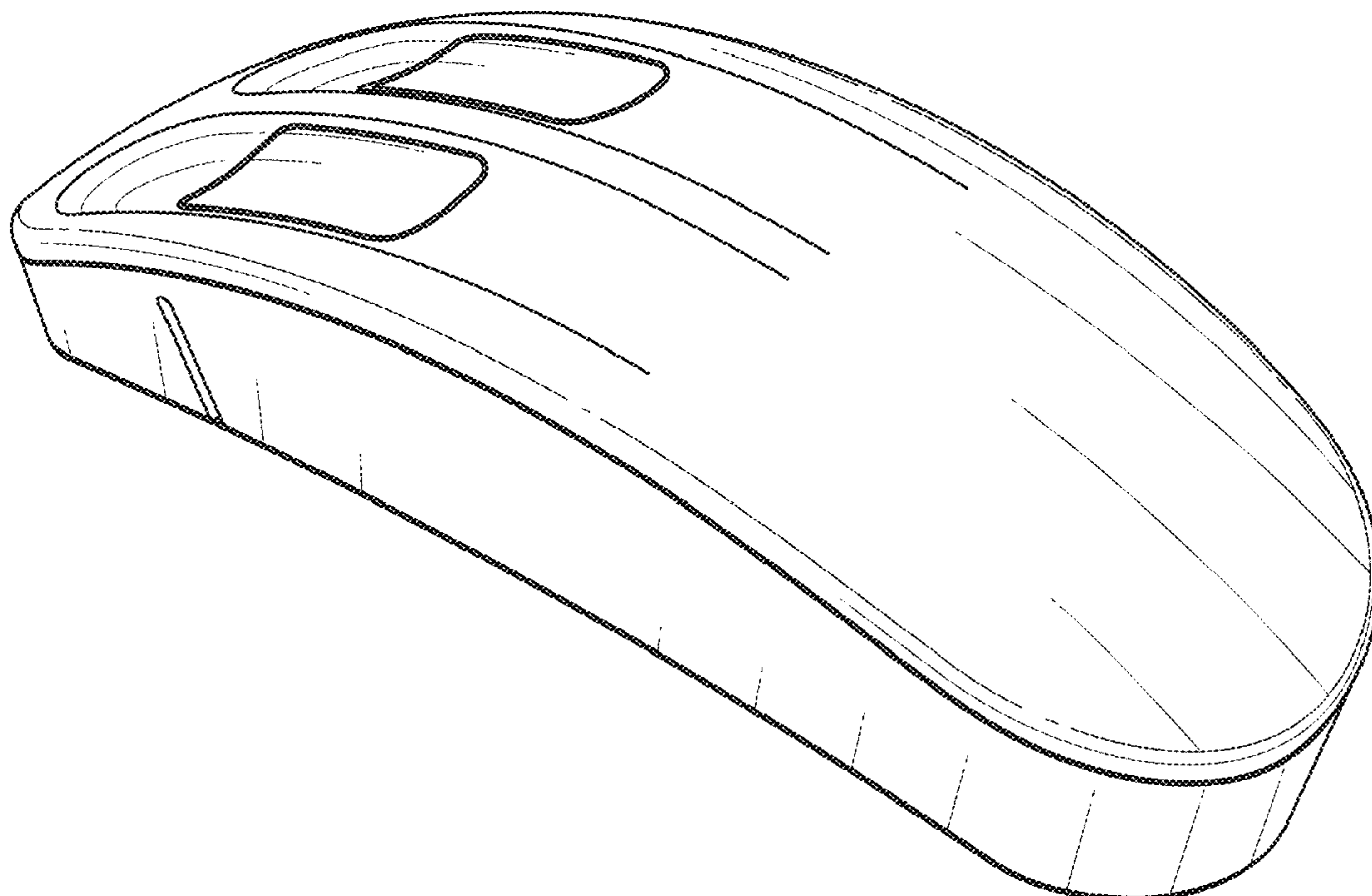
The ornamental design for an electrocardiograph, as shown and described.

DESCRIPTION

FIG. 1 is a perspective view of an electrocardiograph showing our new design;
FIG. 2 is another perspective view thereof;
FIG. 3 is a front view thereof;
FIG. 4 is a rear view thereof;
FIG. 5 is a left side view thereof;
FIG. 6 is a right side view thereof;
FIG. 7 is a top view thereof; and,
FIG. 8 is a bottom view thereof.

1 Claim, 4 Drawing Sheets

- (56) **References Cited**
U.S. PATENT DOCUMENTS
D367,533 S * 2/1996 Pinchuk D10/106.1
D378,414 S * 3/1997 Allen D24/165



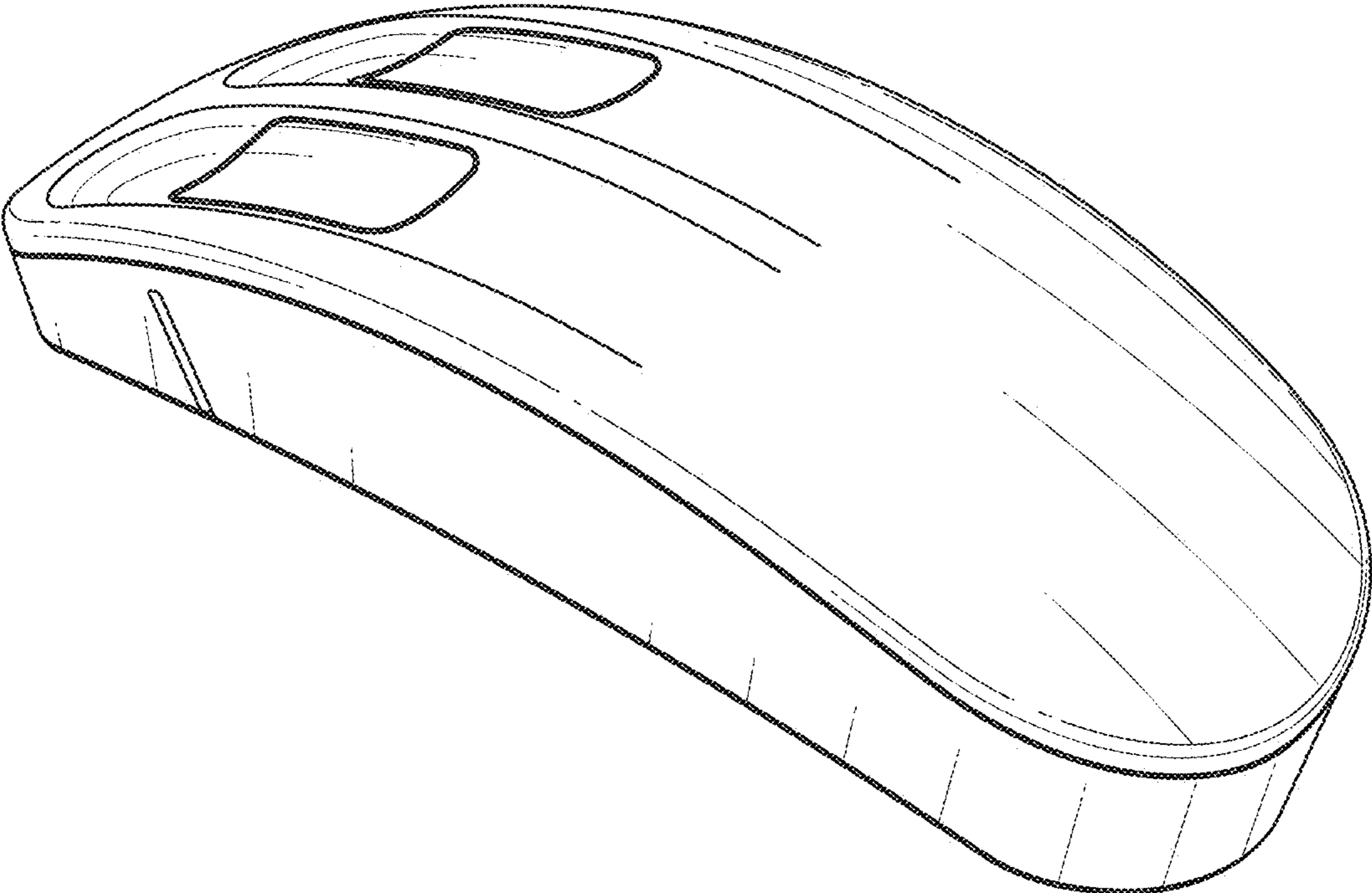


FIG. 1

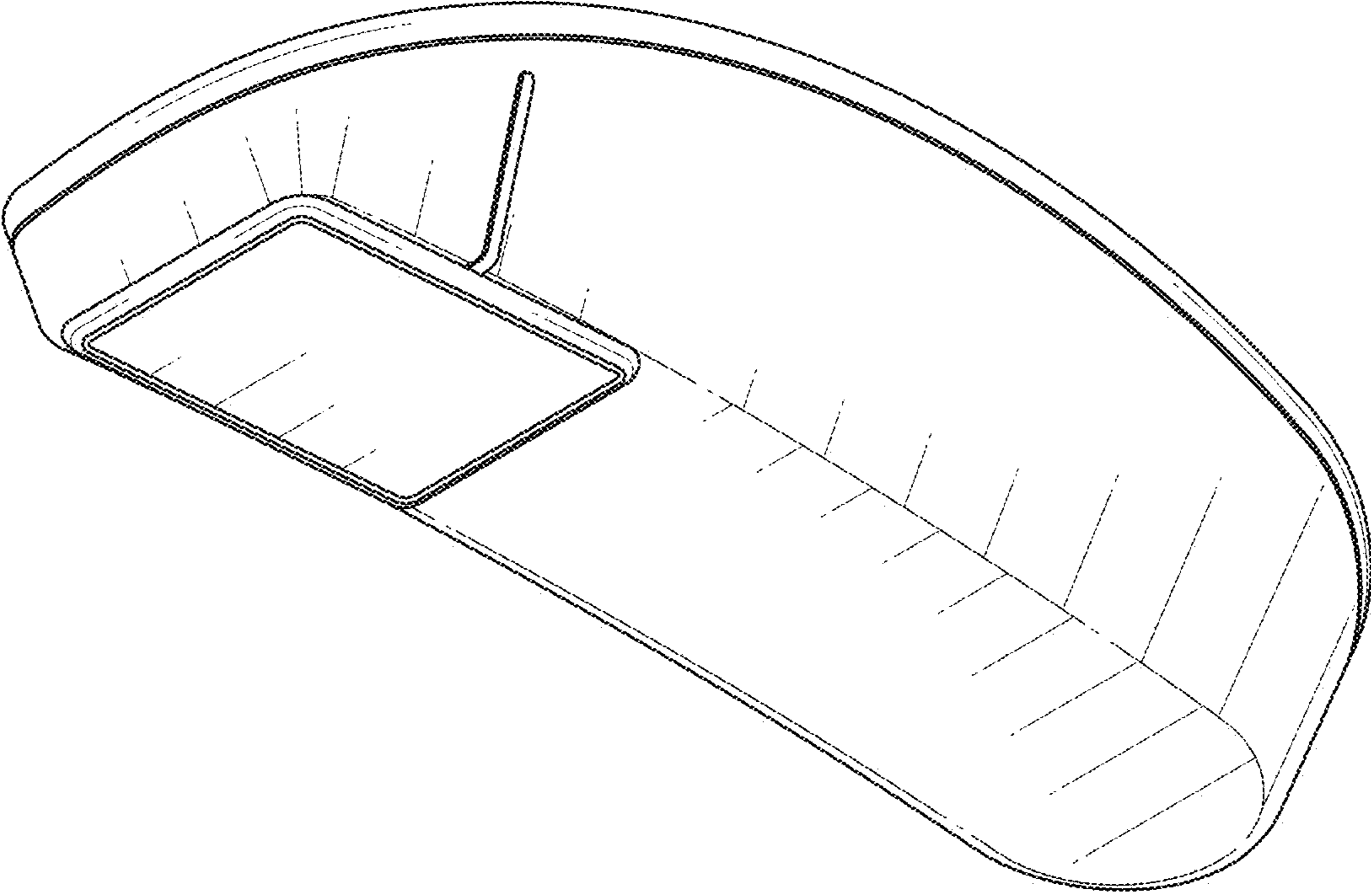


FIG. 2

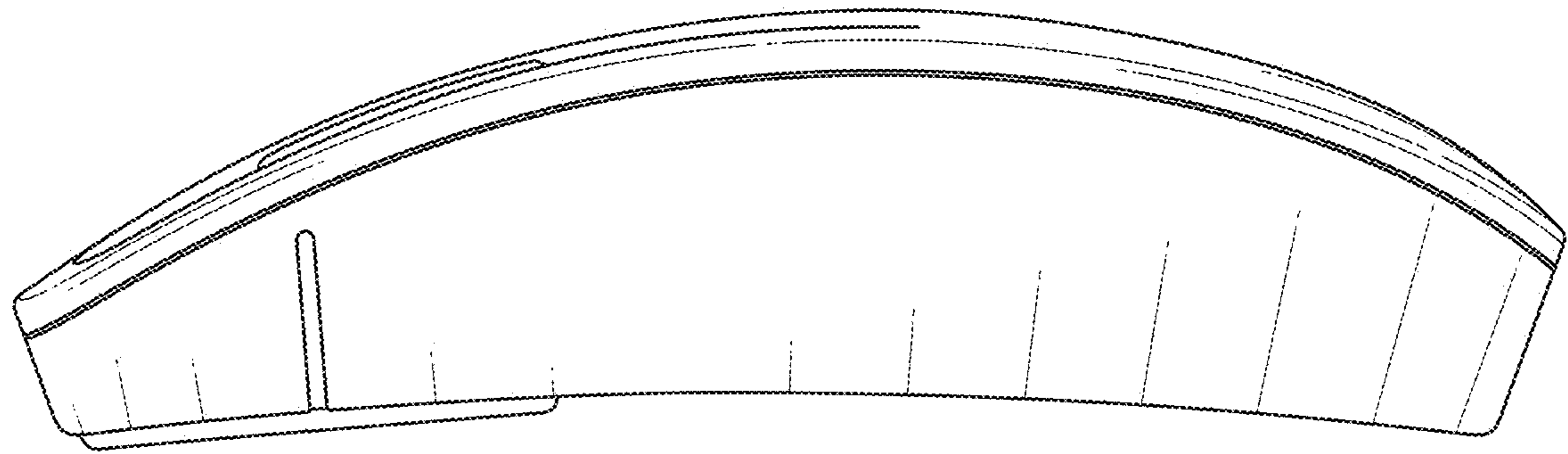


FIG. 3

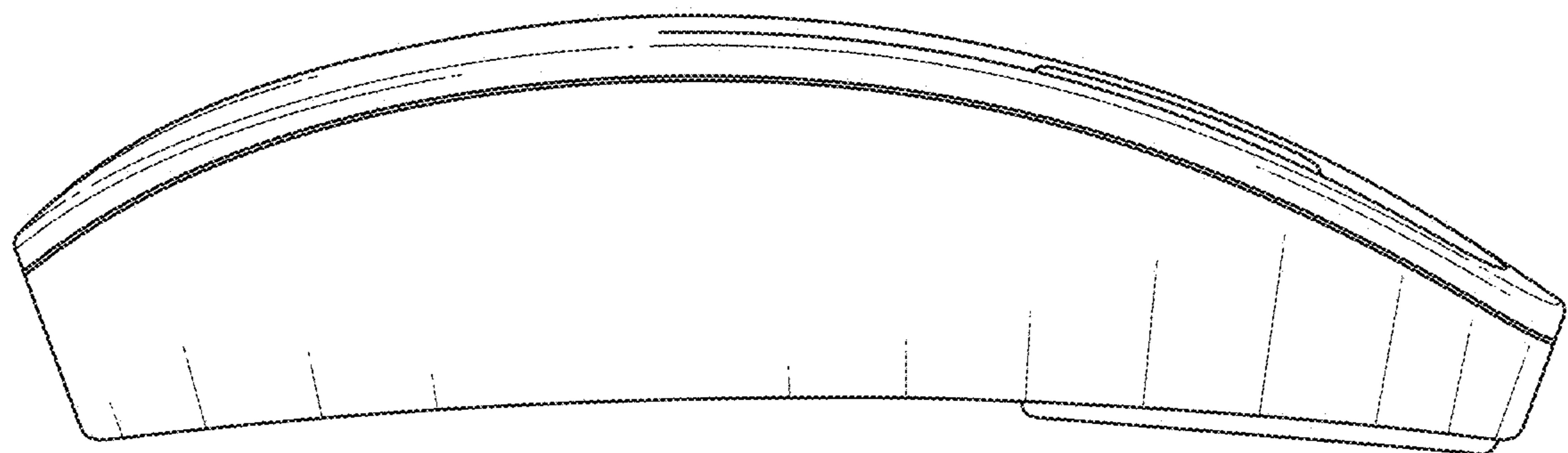


FIG. 4

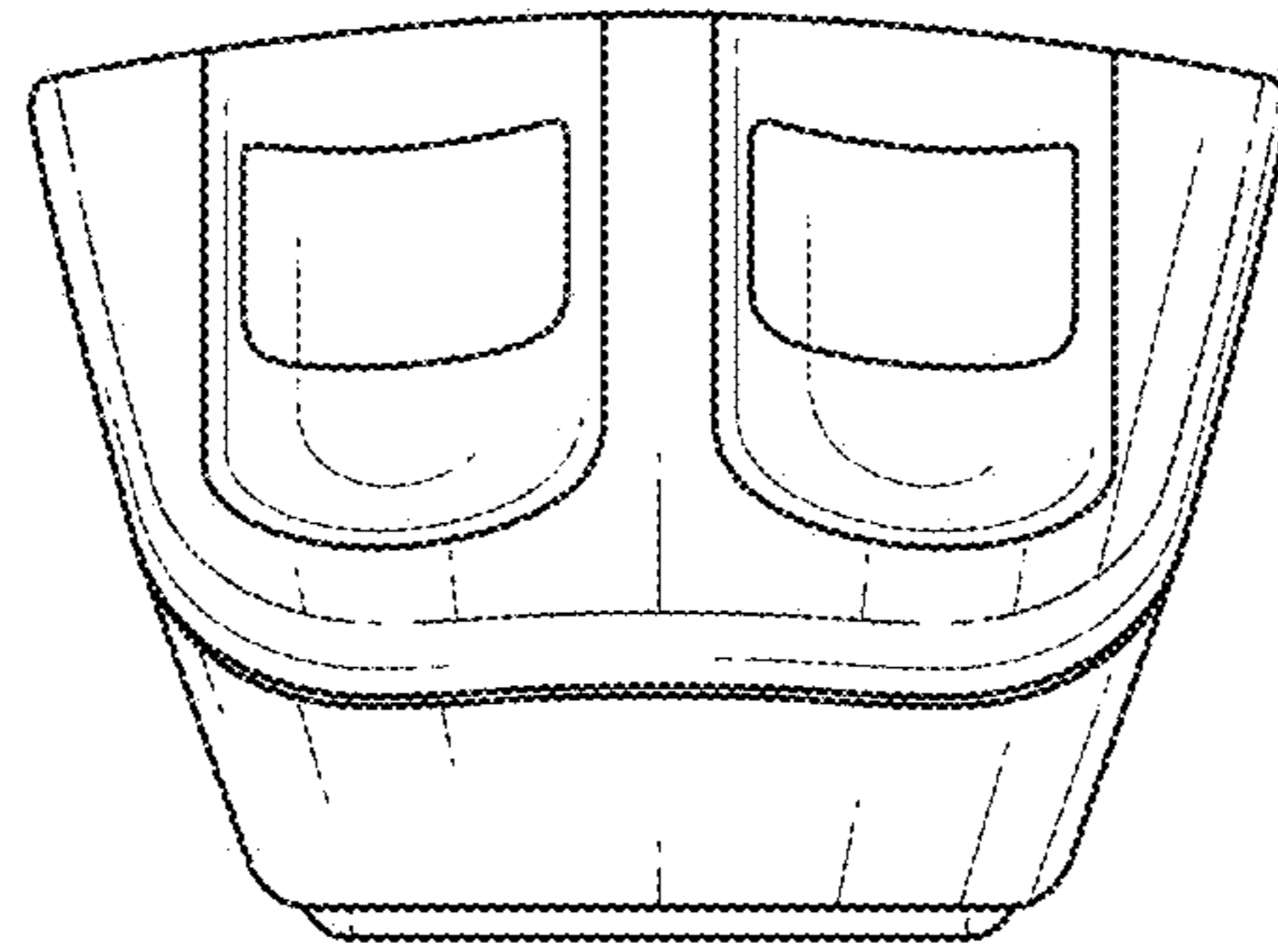


FIG. 5

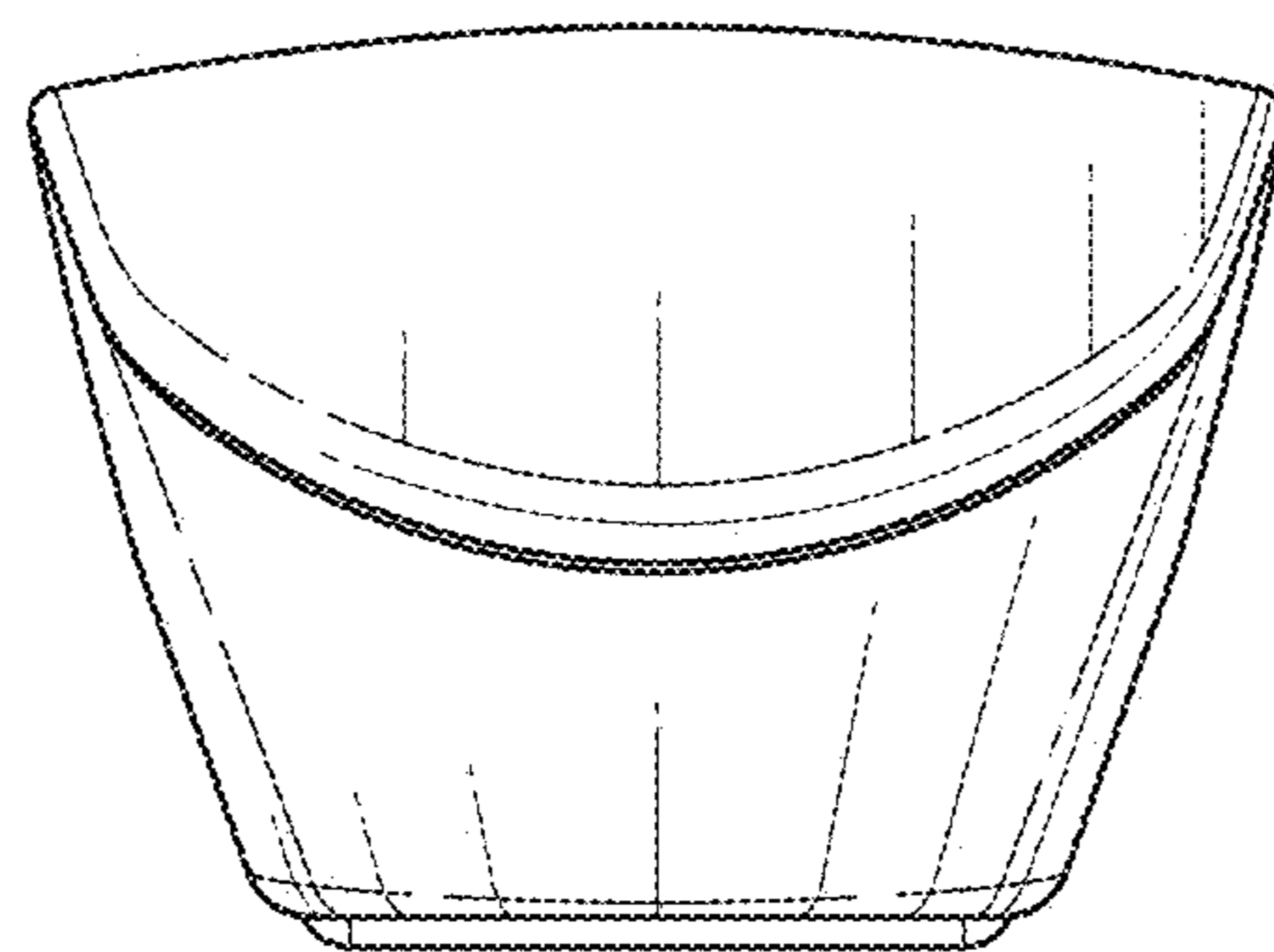


FIG. 6

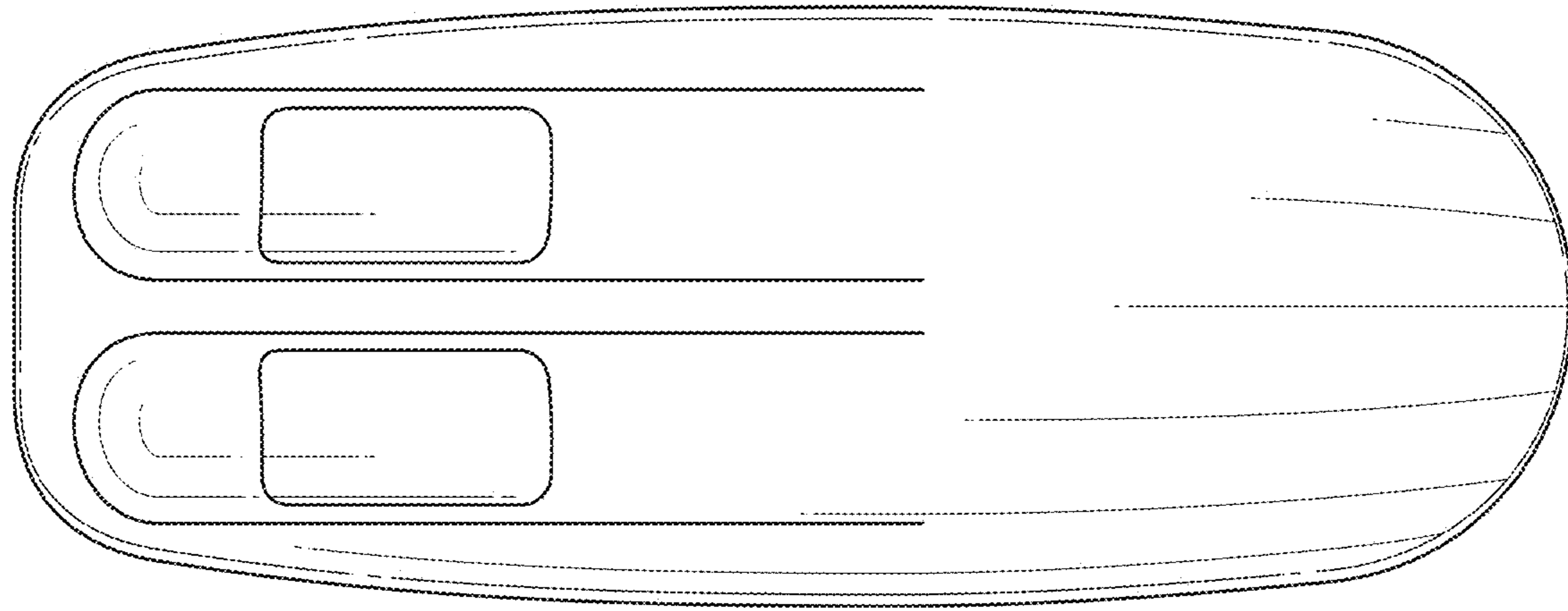


FIG. 7

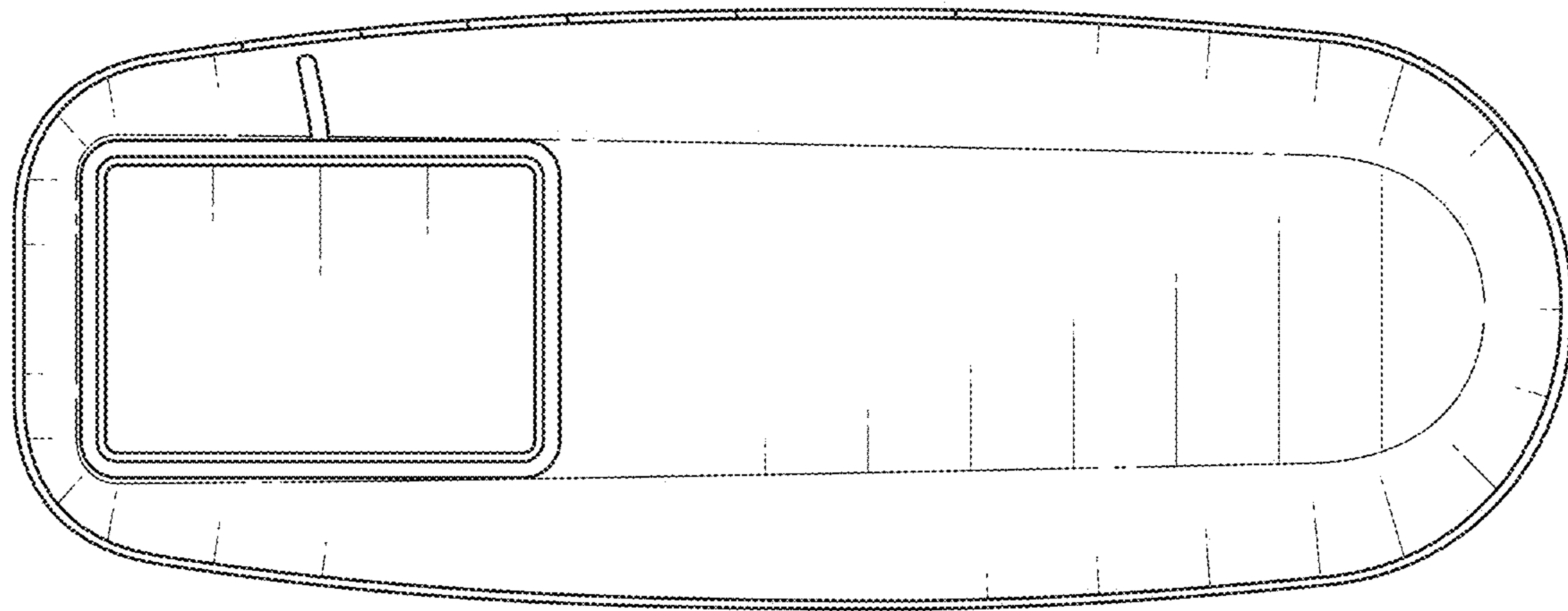


FIG. 8