



US00D957636S

(12) **United States Design Patent**  
**Blair et al.**

(10) **Patent No.:** **US D957,636 S**  
(45) **Date of Patent:** **\*\* Jul. 12, 2022**

- (54) **LOW PROFILE STAPLE**
- (71) Applicant: **MedShape, Inc.**, Atlanta, GA (US)
- (72) Inventors: **Jeremy Webster Blair**, Atlanta, GA (US); **Courtney Lynne Kline**, Atlanta, GA (US)
- (73) Assignee: **MEDSHAPE, INC.**, Atlanta, GA (US)
- (\*\*) Term: **15 Years**
- (21) Appl. No.: **29/748,166**
- (22) Filed: **Aug. 27, 2020**

4,269,180 A \* 5/1981 Dall ..... A61B 17/74  
606/281

D281,814 S 12/1985 Pratt

5,662,655 A 9/1997 Laboureau et al.

6,187,009 B1 2/2001 Herzog et al.

D574,956 S \* 8/2008 Grim ..... D24/145

D586,915 S 2/2009 Grim et al.

7,722,610 B2 5/2010 Viola et al.

D625,591 S 10/2010 MacDonald et al.

D705,930 S \* 5/2014 Cheney ..... D24/145

D706,927 S \* 6/2014 Cheney ..... D24/145

D707,357 S \* 6/2014 Cheney ..... D24/145

D717,951 S \* 11/2014 Cheney ..... D24/155

9,402,624 B1 8/2016 Scott et al.

(Continued)

**Related U.S. Application Data**

- (63) Continuation-in-part of application No. 16/393,489, filed on Apr. 24, 2019, now Pat. No. 11,020,110, which is a continuation of application No. 16/058,638, filed on Aug. 8, 2018, now Pat. No. 10,307,156, and a continuation-in-part of application No. 29/659,375, filed on Aug. 8, 2018, now Pat. No. Des. 895,113.

(51) **LOC (13) Cl.** ..... **24-02**

(52) **U.S. Cl.**  
USPC ..... **D24/145; D24/155; D8/389**

(58) **Field of Classification Search**  
USPC ..... D8/390, 389, 388; D24/155, 145  
CPC ..... A61B 17/0642; A61B 17/064; A61B 2017/0641; B21G 7/02; B21D 53/46; B21F 45/24; F16B 15/0007; F16B 15/0015; F16B 15/0023; F16B 15/003; F16B 15/0038; F16B 15/0046; F16B 2015/0069; F16B 2015/0076; F16B 2/245  
See application file for complete search history.

(56) **References Cited**

**U.S. PATENT DOCUMENTS**

2,632,356 A 3/1953 Thiel

D227,976 S \* 7/1973 Barth ..... D8/393

**FOREIGN PATENT DOCUMENTS**

CA 19966 \* 6/1955

CA 50730 \* 1/1983

(Continued)

*Primary Examiner* — Sheryl Lane

*Assistant Examiner* — Ieisha N Price

(74) *Attorney, Agent, or Firm* — Husch Blackwell LLP; Bryan D. Stewart

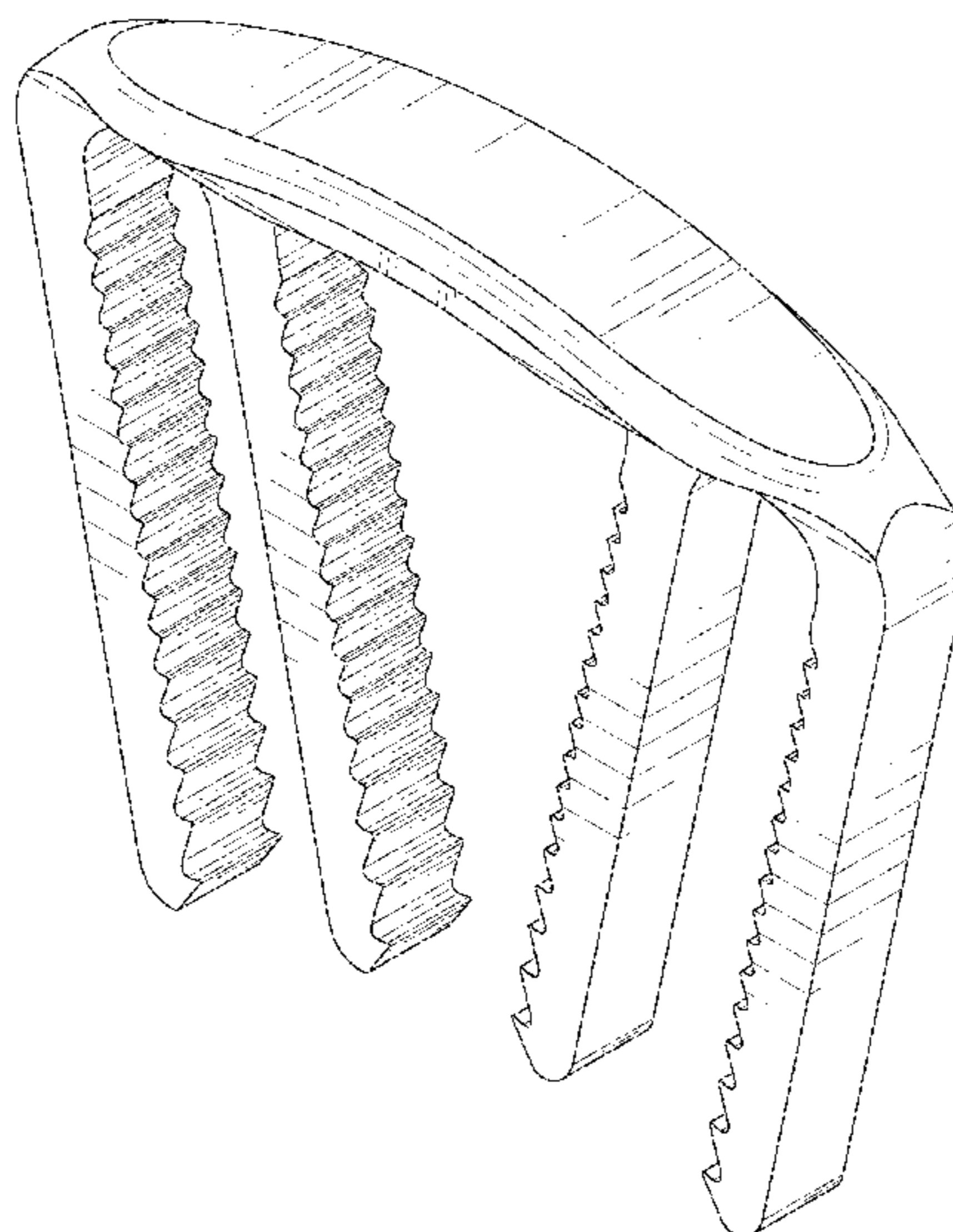
(57) **CLAIM**

The ornamental design for the low profile staple, as shown and described.

**DESCRIPTION**

FIG. 1 is a top perspective view of a low profile staple;  
FIG. 2 is a bottom perspective view thereof;  
FIG. 3 is a front view thereof;  
FIG. 4 is a back view thereof;  
FIG. 5 is a right side view thereof;  
FIG. 6 is a left side view thereof;  
FIG. 7 is a top view thereof; and,  
FIG. 8 is a bottom view thereof.

**1 Claim, 6 Drawing Sheets**



(56)

References Cited

U.S. PATENT DOCUMENTS

D773,665 S 12/2016 Cheney et al.  
 D777,329 S \* 1/2017 Montoya ..... D24/155  
 D780,311 S \* 2/2017 Cheney ..... D24/155  
 9,675,395 B2 6/2017 Averous et al.  
 D804,666 S 12/2017 Guo et al.  
 10,085,743 B2 \* 10/2018 Roedl ..... A61B 17/0642  
 10,117,647 B2 11/2018 Cheney  
 10,307,156 B1 6/2019 Blair et al.  
 D857,199 S 8/2019 Cheney et al.  
 10,383,625 B1 \* 8/2019 Pirela-Cruz ..... A61B 17/846  
 D870,284 S 12/2019 Hollis et al.  
 10,568,627 B2 2/2020 Guo et al.  
 10,610,218 B2 4/2020 Palmer et al.  
 D892,331 S \* 8/2020 Hollis ..... D24/155  
 D895,113 S \* 9/2020 Blair ..... D24/145  
 11,116,499 B1 \* 9/2021 Blair ..... A61B 17/0644  
 2006/0058802 A1 3/2006 Kofoed  
 2007/0270906 A1 \* 11/2007 Molz ..... A61B 17/0642  
 606/219  
 2008/0161808 A1 7/2008 Fox  
 2008/0167666 A1 7/2008 Fiere  
 2008/0319443 A1 12/2008 Focht et al.  
 2010/0063506 A1 3/2010 Fox et al.  
 2011/0118842 A1 5/2011 Bernard  
 2013/0123863 A1 5/2013 Hollis et al.  
 2013/0231667 A1 9/2013 Taylor et al.  
 2013/0267956 A1 10/2013 Terrill et al.  
 2014/0018809 A1 1/2014 Allen  
 2014/0097228 A1 4/2014 Taylor  
 2014/0277516 A1 9/2014 Miller  
 2014/0309639 A1 \* 10/2014 Averous ..... A61B 17/0642  
 606/75

2014/0358187 A1 12/2014 Taber  
 2015/0133940 A1 5/2015 Palmer et al.  
 2015/0313592 A1 11/2015 Coillard-Lavirotte et al.  
 2016/0000434 A1 1/2016 Cocaign et al.  
 2016/0030039 A1 2/2016 Seavey et al.  
 2016/0066907 A1 3/2016 Cheney et al.  
 2016/0135808 A1 5/2016 Anderson  
 2016/0199060 A1 7/2016 Morgan et al.  
 2016/0235460 A1 8/2016 Wahl  
 2016/0338697 A1 11/2016 Biedermann  
 2017/0065275 A1 3/2017 Cheney  
 2017/0202552 A1 7/2017 Coleman  
 2017/0252036 A1 9/2017 Palmer  
 2018/0008263 A1 1/2018 Goldstein  
 2018/0271521 A1 \* 9/2018 Wahl ..... A61B 17/0682  
 2018/0353172 A1 \* 12/2018 Hartdegen ..... A61B 17/0642  
 2019/0000451 A1 1/2019 Majors  
 2019/0046182 A1 \* 2/2019 Krumme ..... A61B 17/0644  
 2019/0046183 A1 \* 2/2019 Hartdegen ..... A61B 17/0644  
 2019/0105040 A1 4/2019 Gordon  
 2019/0150921 A1 5/2019 Fonte  
 2019/0192140 A1 6/2019 Ducharme  
 2019/0192160 A1 6/2019 Stamp  
 2019/0357951 A1 11/2019 Rogers  
 2020/0038076 A1 \* 2/2020 Amis ..... A61B 17/808  
 2020/0197005 A1 \* 6/2020 Daniel ..... A61B 17/8811  
 2020/0229813 A1 \* 7/2020 Seykora ..... A61B 17/0642  
 2021/0298748 A1 \* 9/2021 Campbell ..... A61B 17/864  
 2021/0386422 A1 \* 12/2021 Maclure ..... A61B 17/0642

FOREIGN PATENT DOCUMENTS

CA 132677 \* 6/2010  
 JP D1504138 \* 8/2014

\* cited by examiner

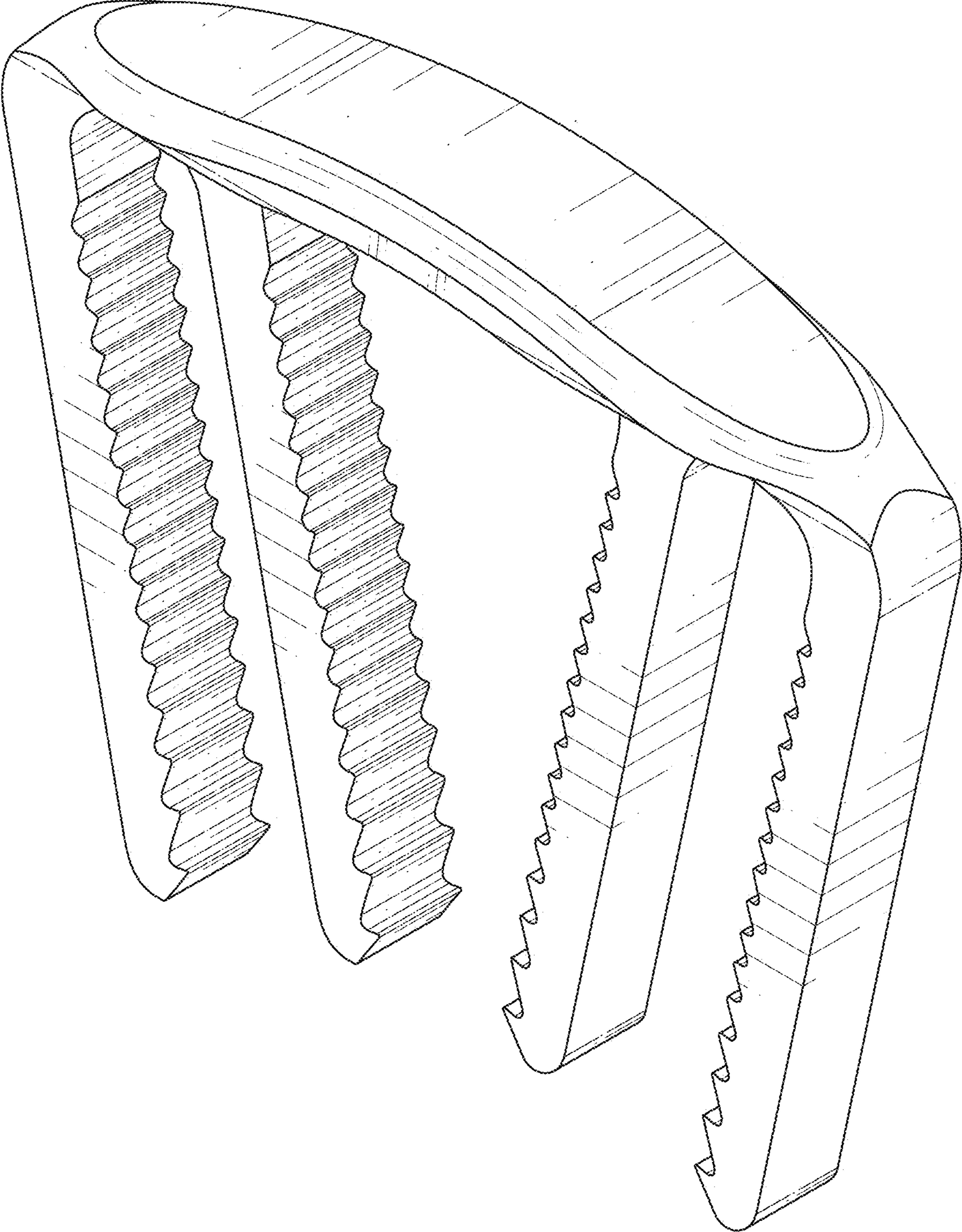


FIG. 1

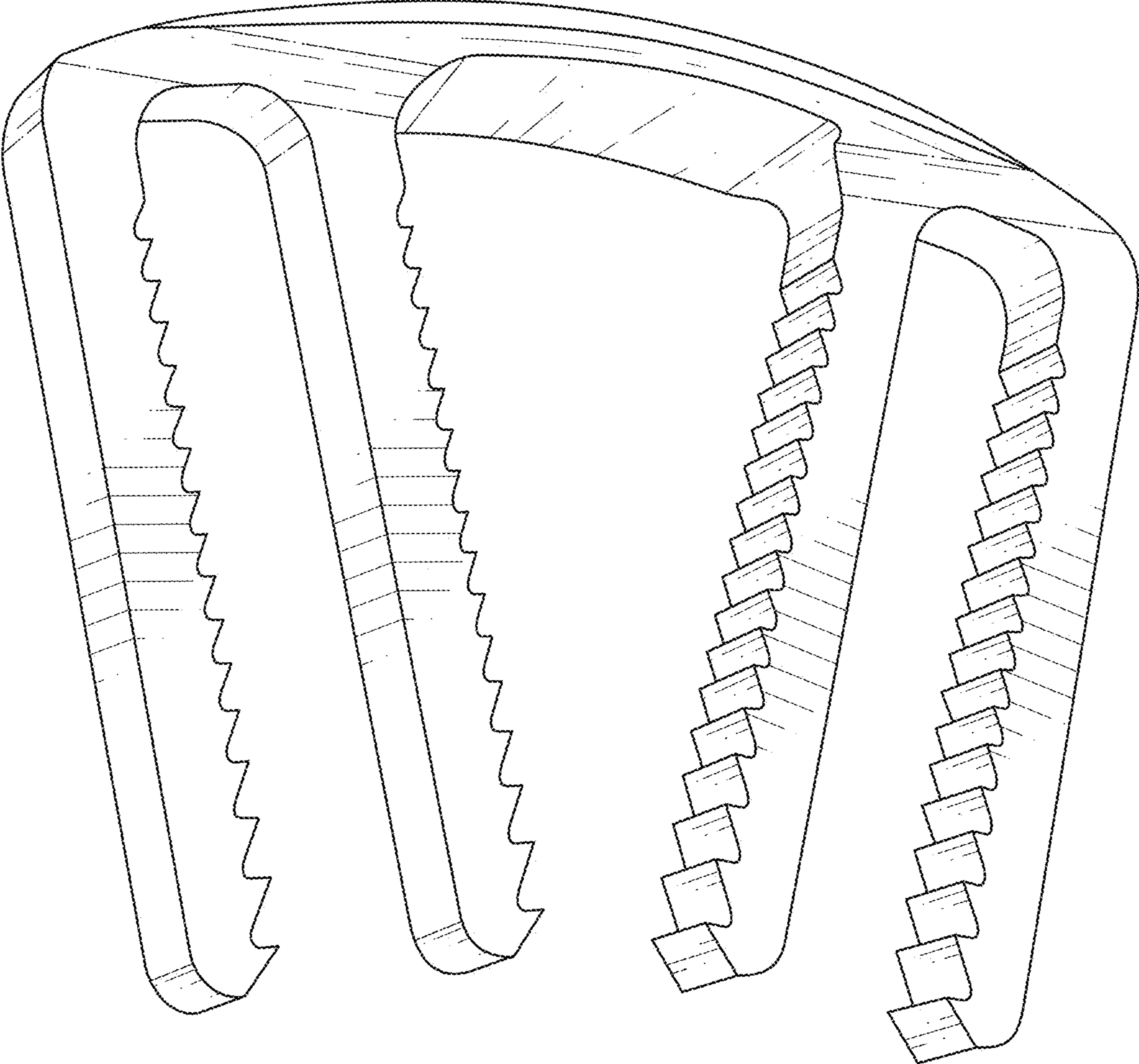


FIG. 2

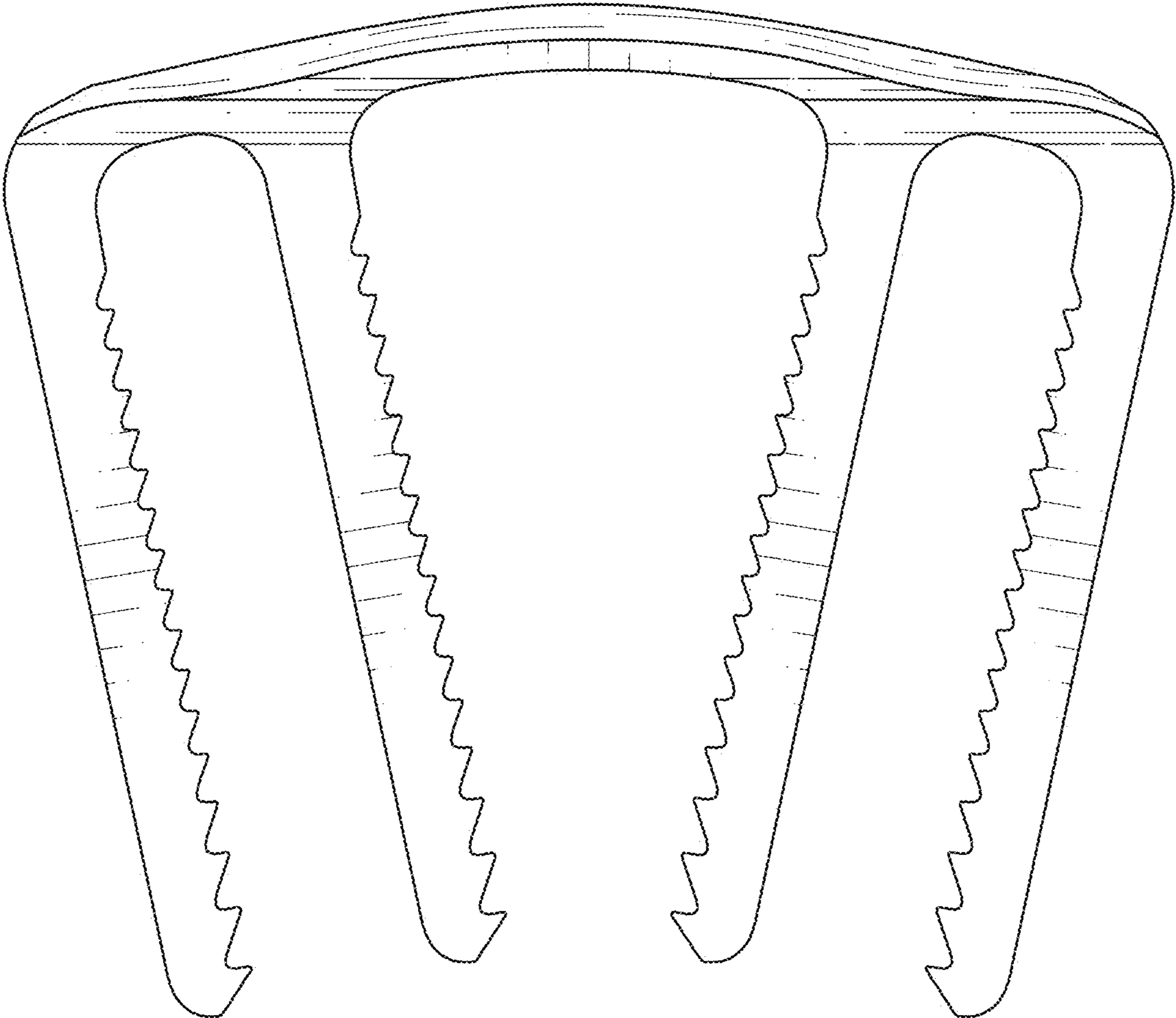


FIG. 3

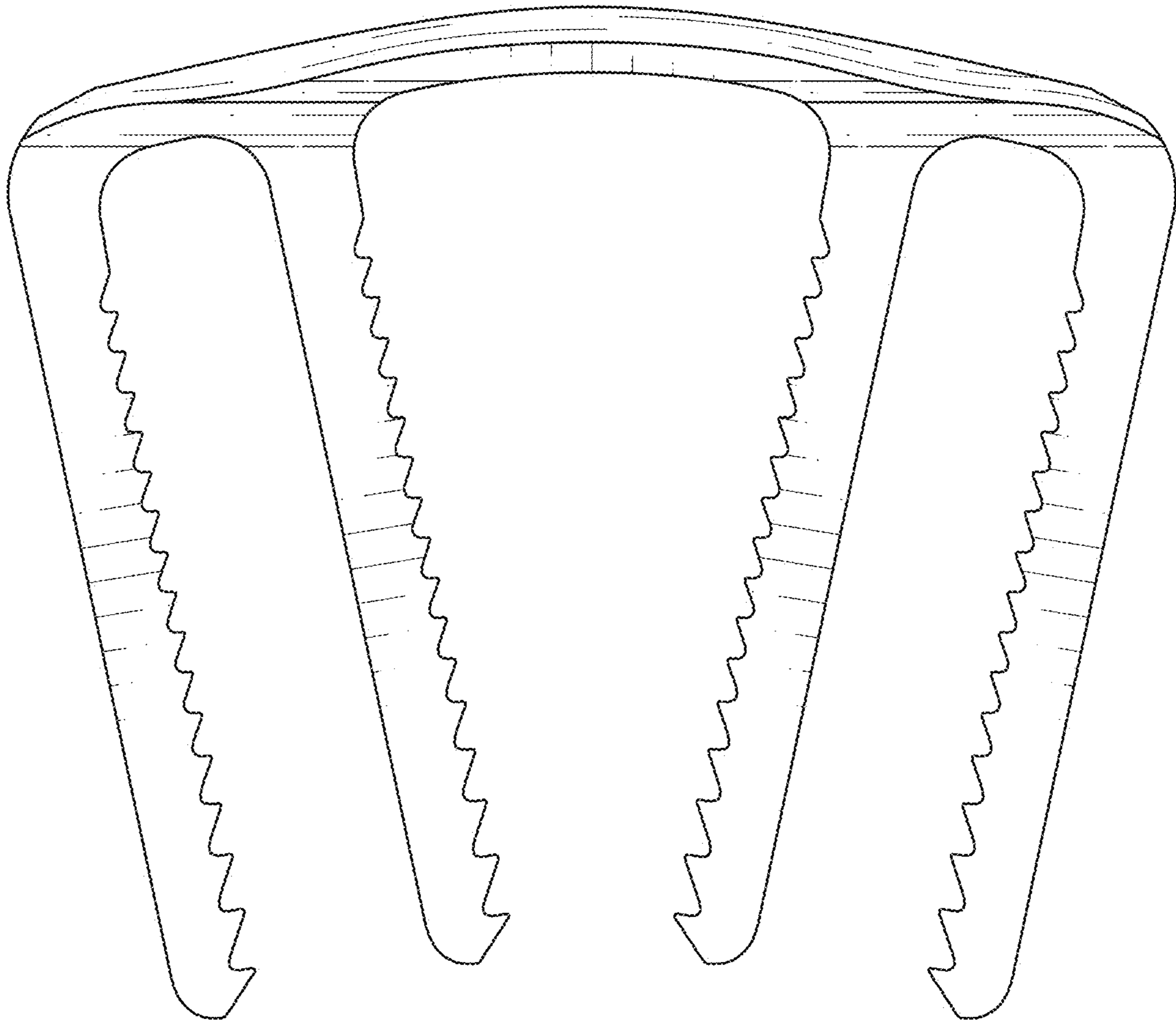


FIG. 4

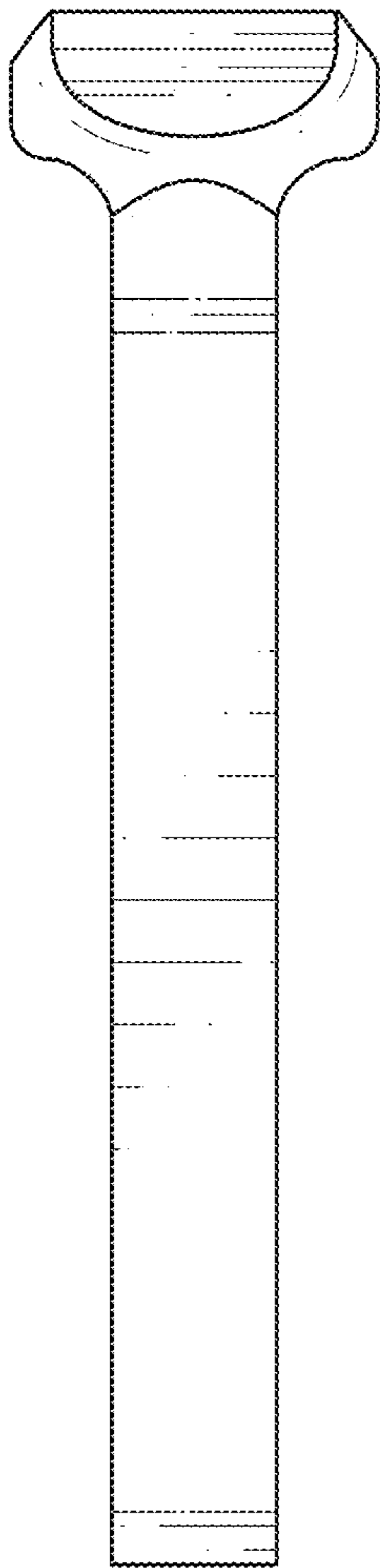


FIG. 5

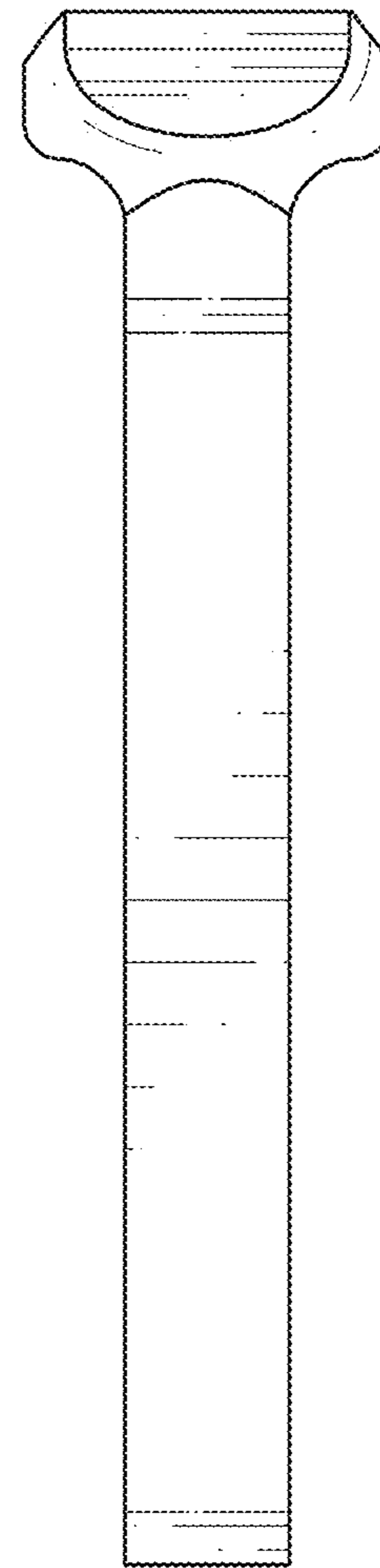


FIG. 6

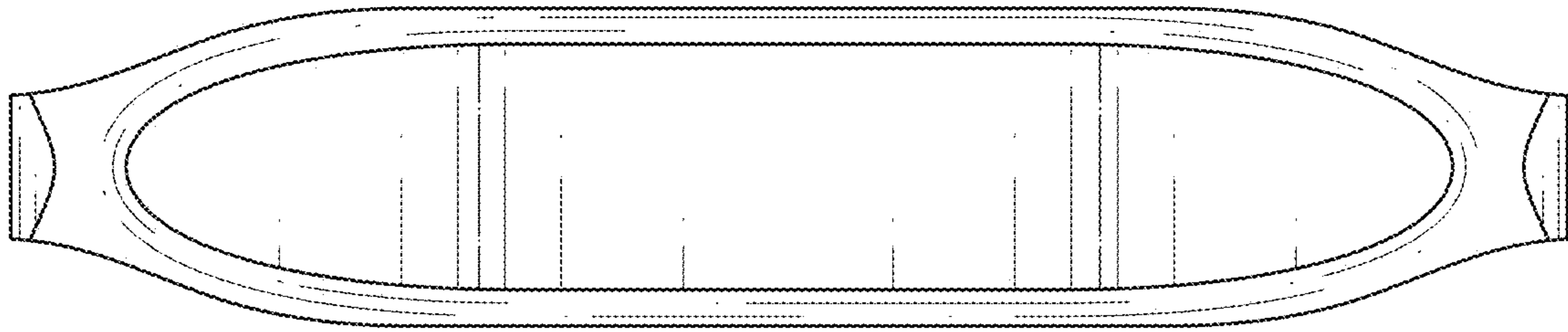


FIG. 7

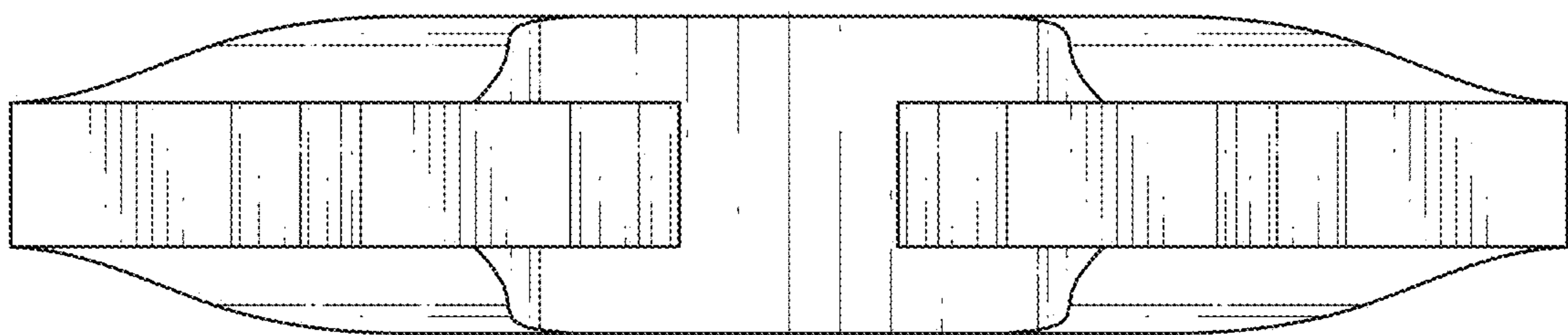


FIG. 8