



US00D957634S

(12) **United States Design Patent**
Camenzuli et al.

(10) **Patent No.:** **US D957,634 S**
(45) **Date of Patent:** **** Jul. 12, 2022**

(54) **SURGICAL DEVICE**
(71) Applicant: **UNIVERSITY OF MALTA**, Msida (MT)
(72) Inventors: **Christian Camenzuli**, Birkirkara (MT); **Josef Attard**, San Gwann (MT); **John Paul Borg**, Naxxar (MT); **Jonathan Borg**, Upper Iklin (MT); **Pierre Schembri Wismayer**, Zabbar (MT); **Jean Calleja Aguis**, Tarxien (MT)

(73) Assignee: **UNIVERSITY OF MALTA**, Msida (MT)

(**) Term: **15 Years**

(21) Appl. No.: **29/735,914**

(22) Filed: **May 26, 2020**

(30) **Foreign Application Priority Data**

Apr. 6, 2020 (EM) 007793666-0001

(51) **LOC (13) Cl.** **24-02**

(52) **U.S. Cl.**
USPC **D24/135**

(58) **Field of Classification Search**
USPC D24/133, 143, 145-146, 148, 135
CPC A61B 17/32; A61B 17/320092; A61B 18/1445; A61B 17/02; A61B 17/1735; A61B 17/0293
See application file for complete search history.

(56) **References Cited**

U.S. PATENT DOCUMENTS

D384,413 S * 9/1997 Zlock D24/145
6,491,701 B2 * 12/2002 Tierney A61B 34/37
606/130
6,562,035 B1 * 5/2003 Levin A61B 18/1442
49/50
D629,516 S * 12/2010 Firmin D24/135

8,512,365 B2 * 8/2013 Wiener A61B 17/320092
606/169
10,299,670 B1 * 5/2019 Sumaily A61B 17/02
D859,653 S * 9/2019 Hartson D24/135
D877,329 S * 3/2020 Sumaily D24/135
10,722,261 B2 * 7/2020 Houser A61B 17/320092
D908,216 S * 1/2021 Messerly D24/145
2006/0058825 A1 * 3/2006 Ogura A61B 17/32
606/169
2016/0051318 A1 * 2/2016 Manzo A61B 18/1445
606/47
2018/0116708 A1 * 5/2018 Manzo A61B 18/1445

* cited by examiner

Primary Examiner — Wan Laymon

(74) *Attorney, Agent, or Firm* — Dorsey & Whitney LLP

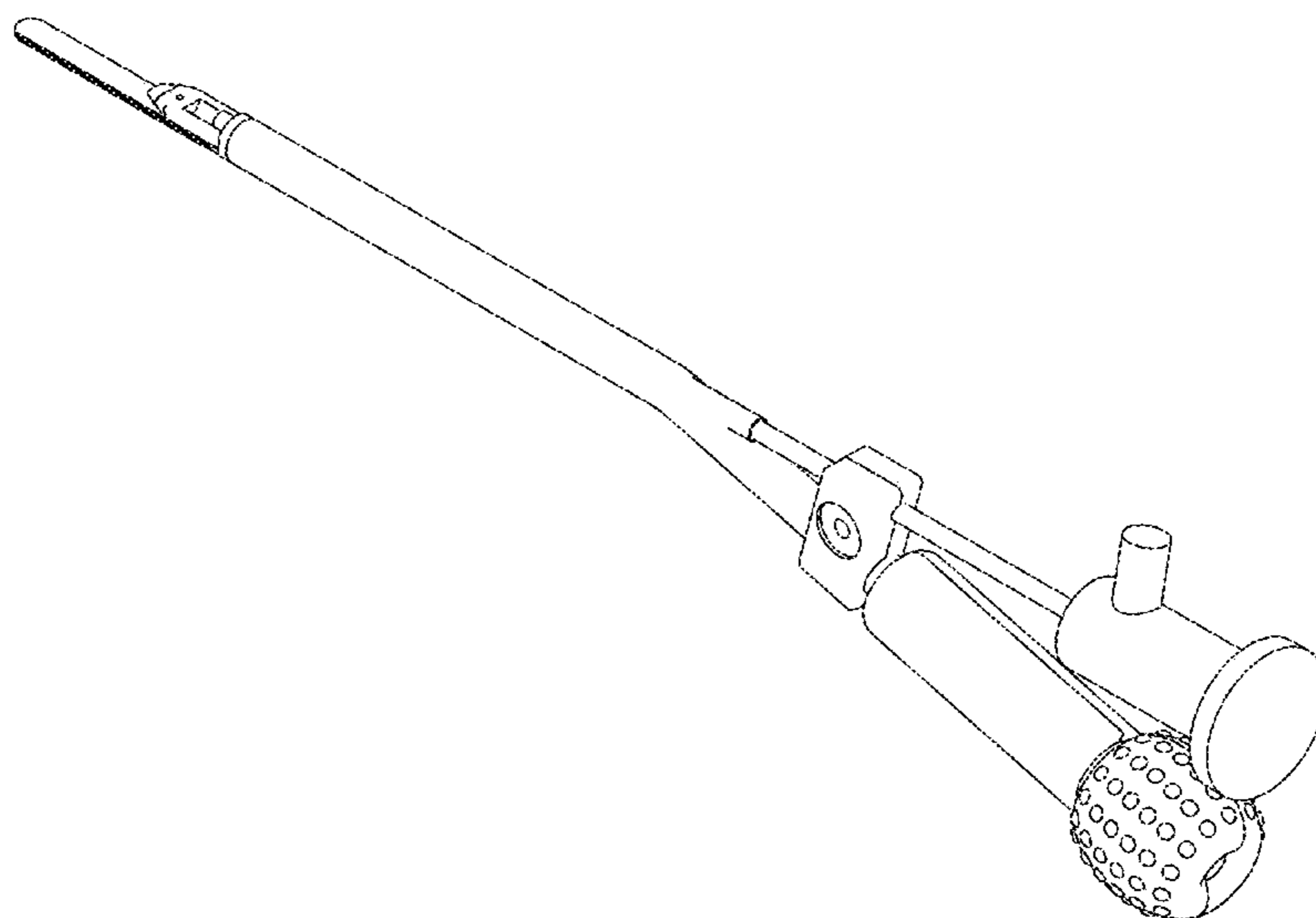
(57) **CLAIM**

We claim the ornamental design for a surgical device, as shown and described.

DESCRIPTION

FIG. 1 is a rear perspective view of a surgical device in a closed position;
FIG. 2 is an alternate rear perspective view showing a bottom view of the surgical device of FIG. 1, the top view being understood from FIG. 1;
FIG. 3 is a left side view of the surgical device of FIG. 1;
FIG. 4 is a right side view of the surgical device of FIG. 1;
FIG. 5 is an enlarged rear view of the surgical device of FIG. 1;
FIG. 6 is an enlarged front view of the surgical device of FIG. 1; and,
FIG. 7 is a rear perspective view of the surgical device of FIG. 1 in an open position.
The broken line in the drawings is included for the purpose of illustrating portions of the surgical device and forms no part of the claimed design.

1 Claim, 7 Drawing Sheets



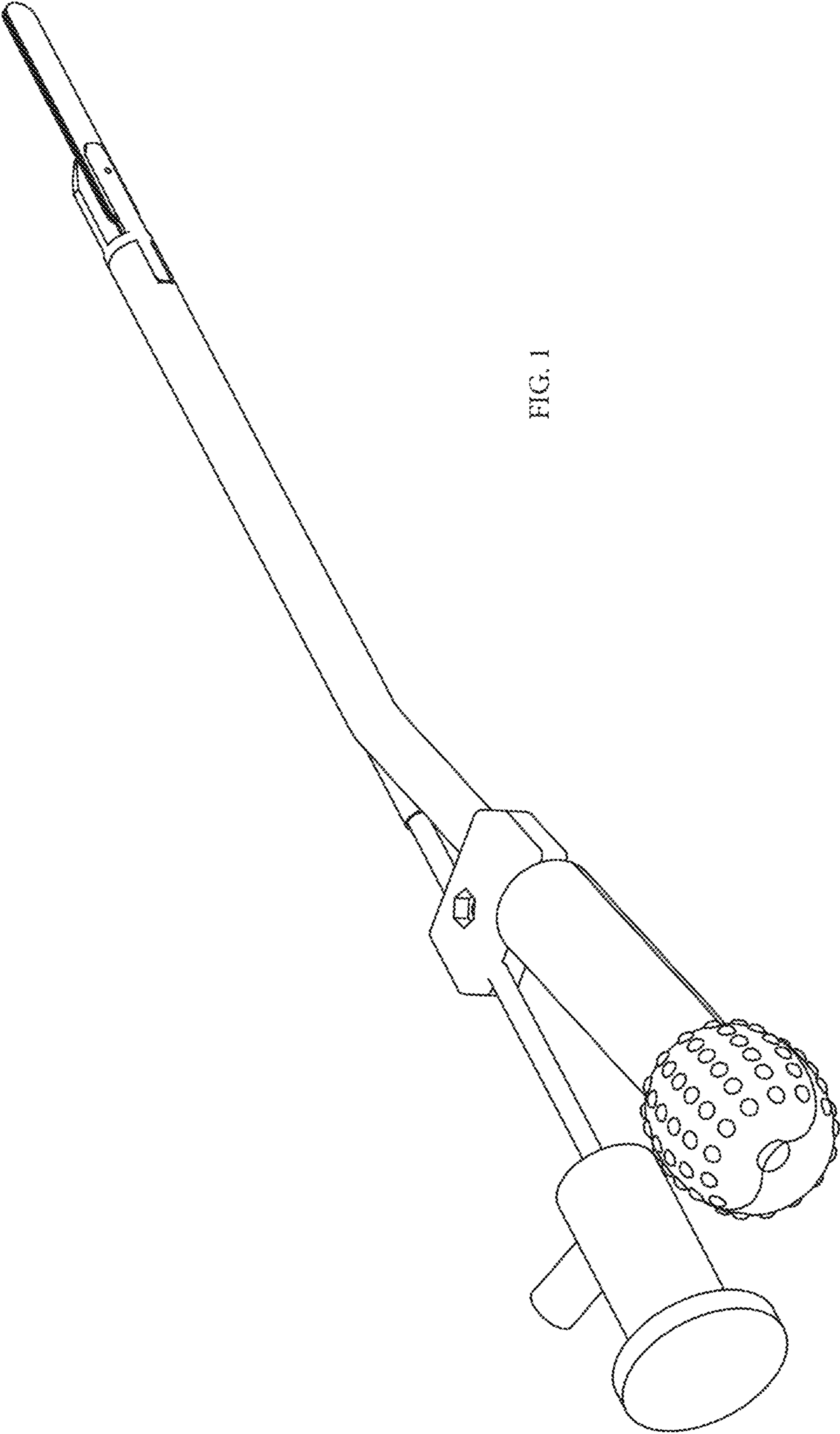


FIG. 1

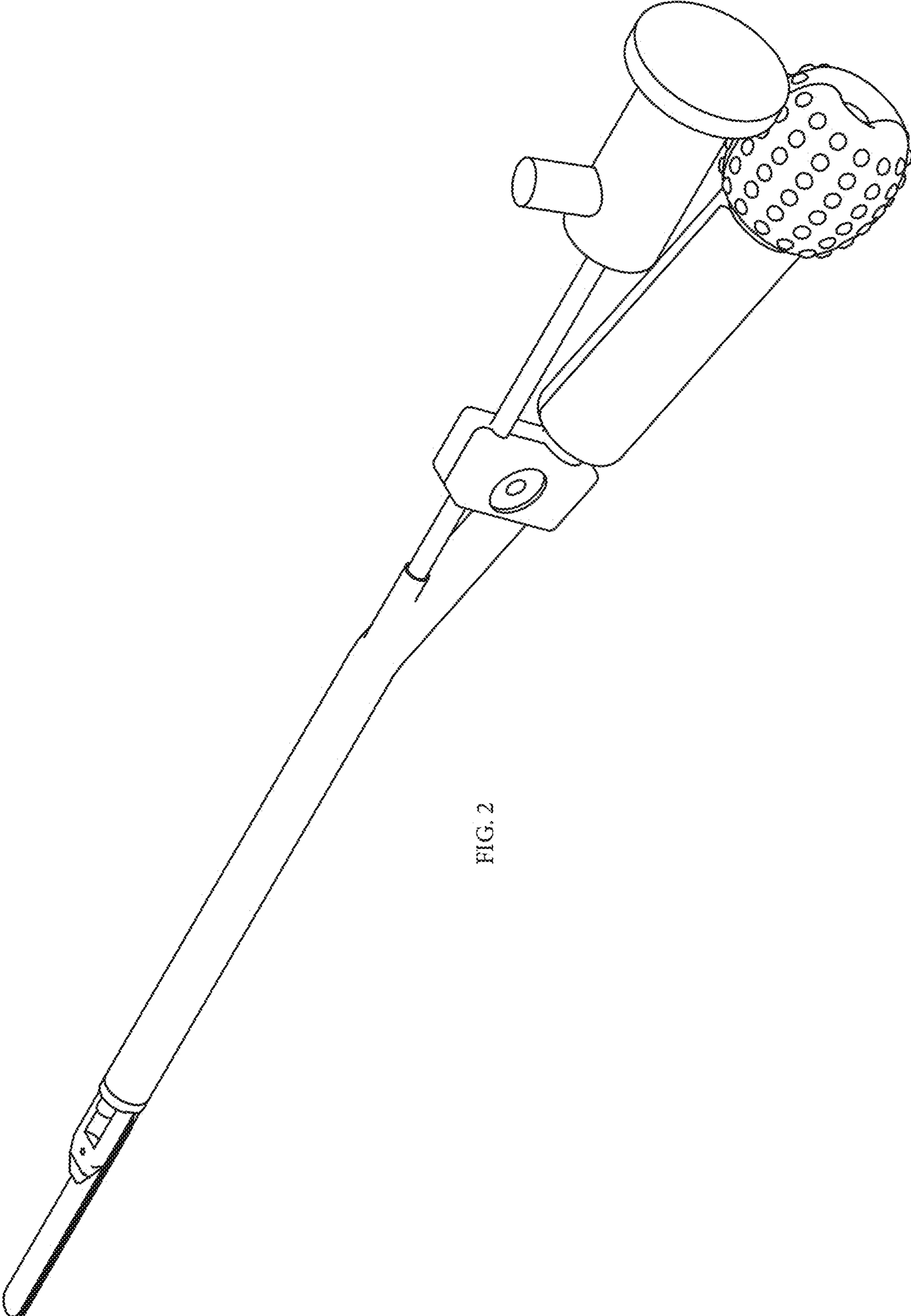


FIG. 2

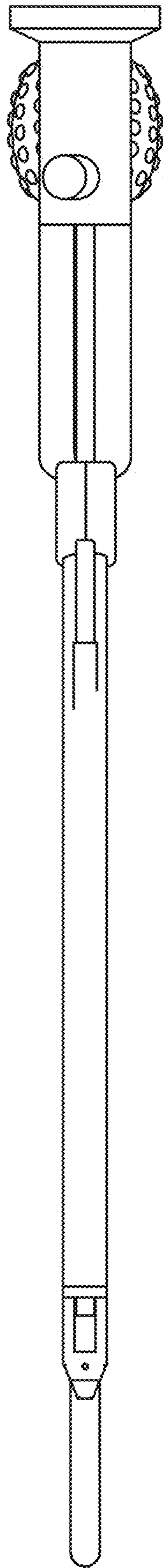


FIG. 3

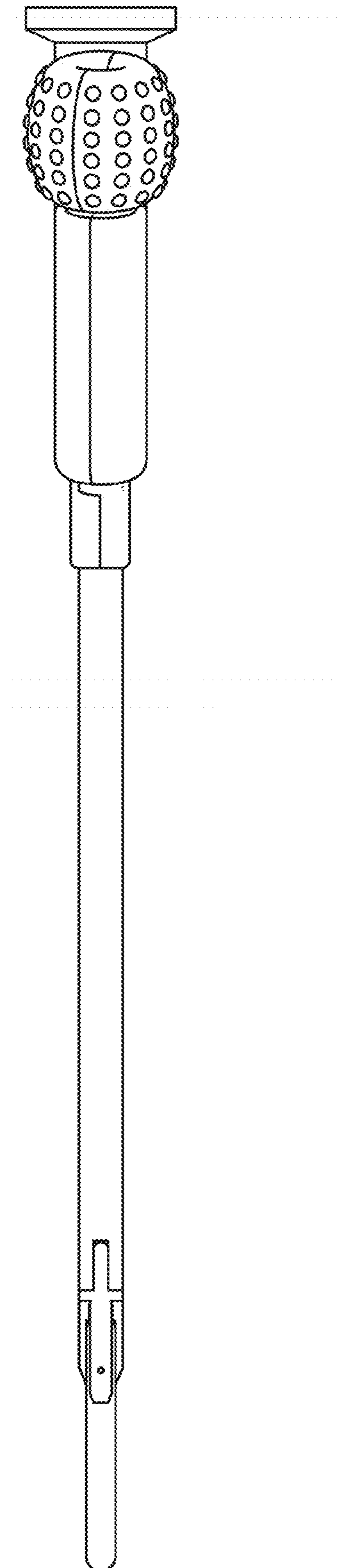


FIG.4

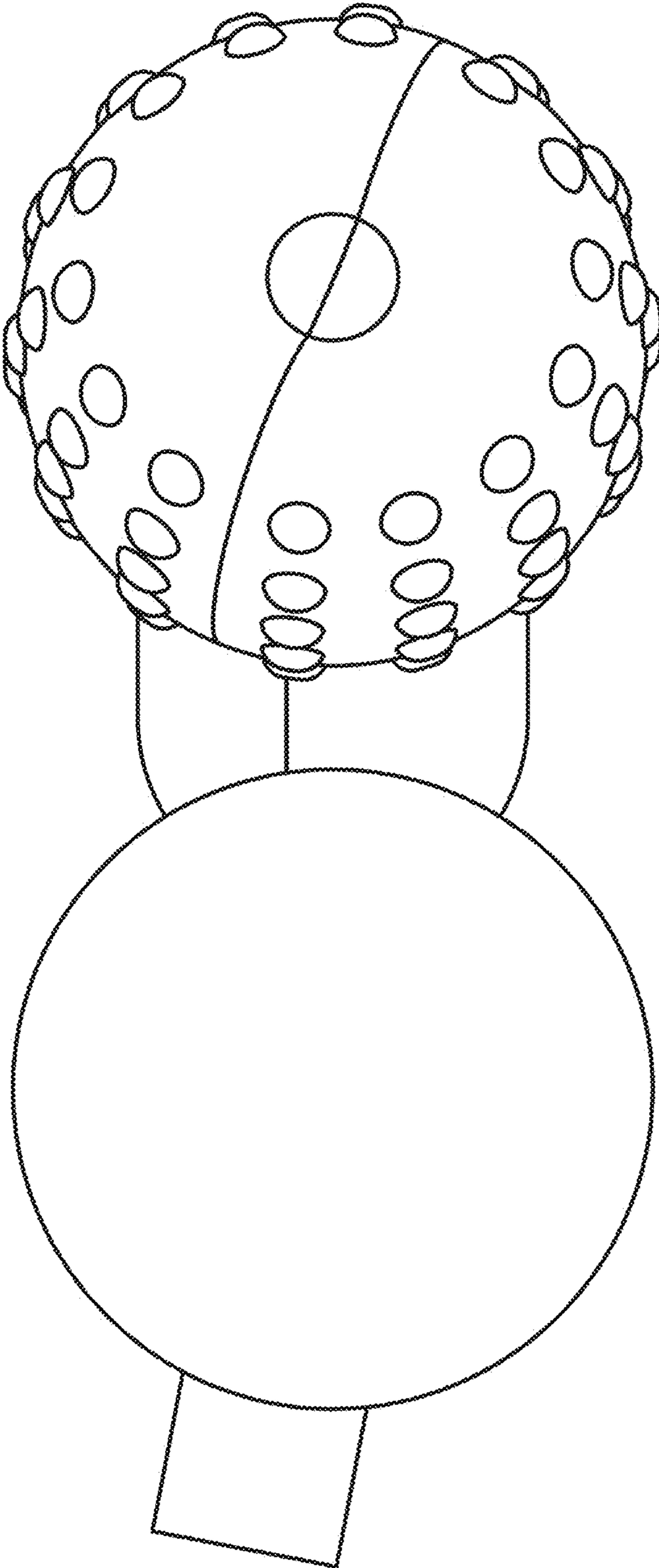


FIG. 5

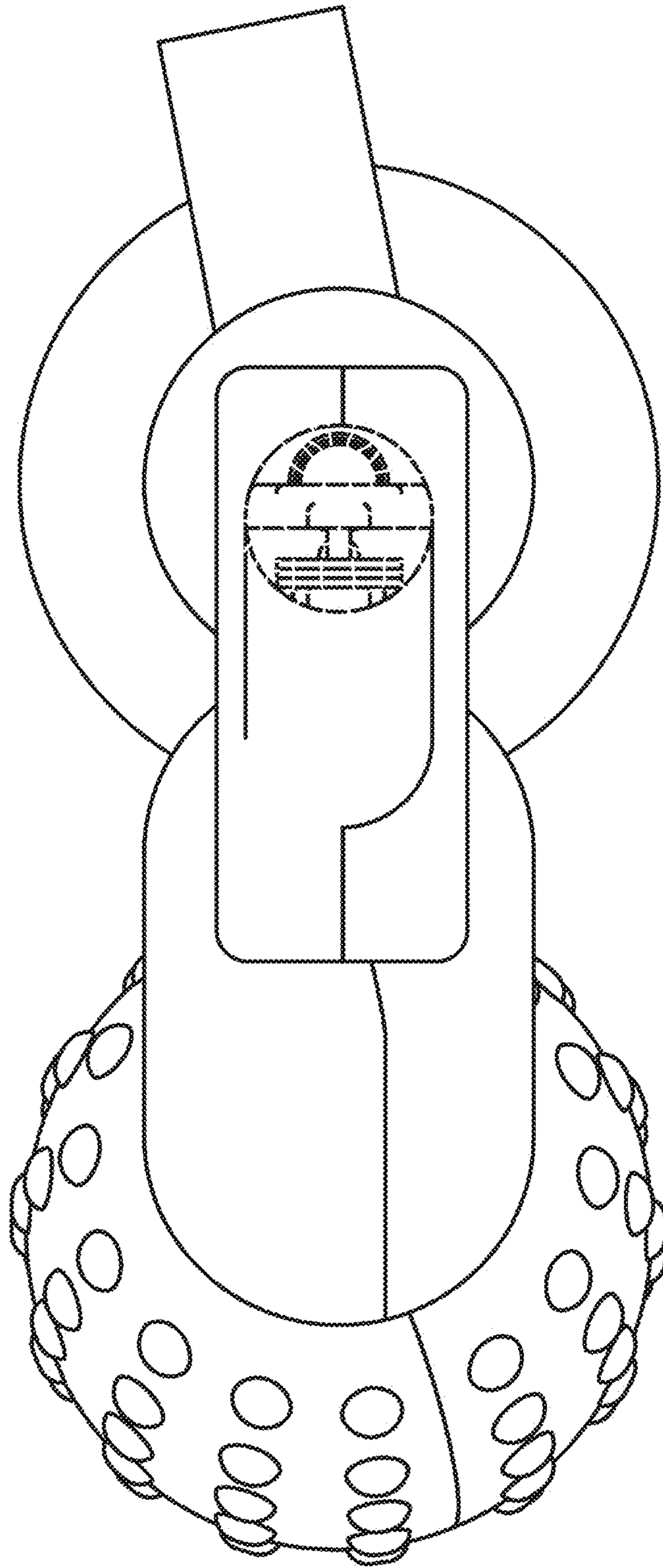


FIG. 6

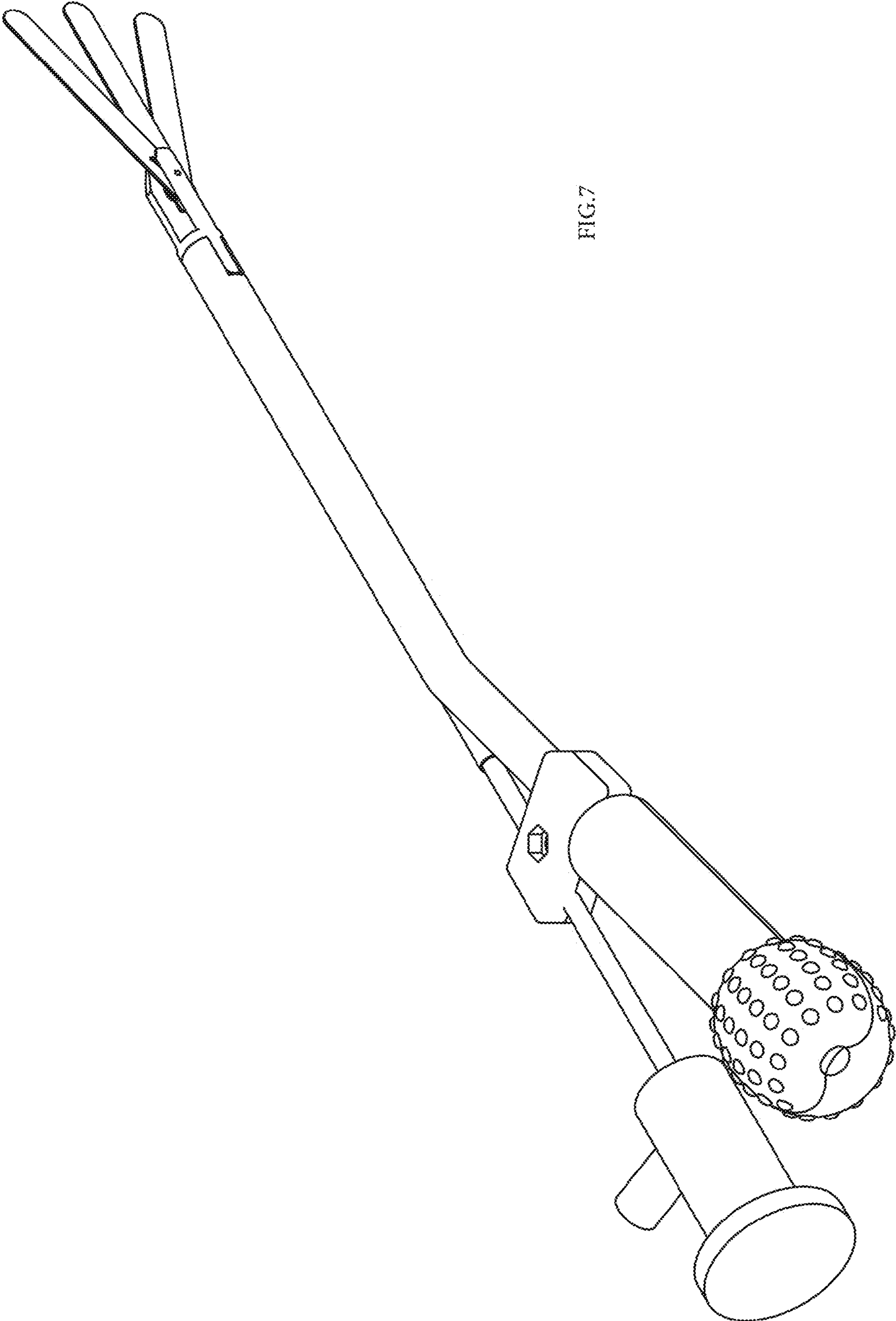


FIG.7