



US00D957632S

(12) **United States Design Patent** (10) **Patent No.:** **US D957,632 S**  
**Kaufman** (45) **Date of Patent:** **\*\* Jul. 12, 2022**

(54) **MASK HOLDER**

(71) Applicant: **Stacy Kaufman**, Davie, FL (US)

(72) Inventor: **Stacy Kaufman**, Davie, FL (US)

(\*\*) Term: **15 Years**

(21) Appl. No.: **29/754,746**

(22) Filed: **Oct. 14, 2020**

(51) **LOC (13) Cl.** ..... **24-02**

(52) **U.S. Cl.**

USPC ..... **D24/128**

(58) **Field of Classification Search**

USPC ..... D24/110.1, 188, 189, 127, 128; D19/99,  
D19/203; D29/108, 122; D2/880, 881,  
D2/636, 639, 627; D8/349, 363, 367,  
D8/373; D6/323, 327

CPC ..... A47G 25/32; A47G 25/28; A47G 25/743  
See application file for complete search history.

(56) **References Cited**

**U.S. PATENT DOCUMENTS**

D350,943 S *	9/1994	Adams	.....	D8/373
D542,038 S *	5/2007	Tau	.....	D6/323
D574,224 S *	8/2008	Zhang	.....	D8/372
D592,864 S *	5/2009	Klein	.....	D6/323
D617,451 S *	6/2010	Hampton	.....	D24/128
D707,537 S *	6/2014	Schraufnagel	.....	D8/367
D755,444 S *	5/2016	Willows	.....	D29/122
D759,390 S *	6/2016	Nielsen	.....	D6/315
D773,836 S *	12/2016	Eads	.....	D6/323
D806,542 S *	1/2018	Lourie	.....	D9/443
D942,764 S *	2/2022	Chorobik	.....	D6/319
D947,584 S *	4/2022	Adams	.....	D6/682.4

**FOREIGN PATENT DOCUMENTS**

JP	D1700248	*	11/2021
JP	D1704172	*	1/2022

**OTHER PUBLICATIONS**

Cute Face Mask Ear Saver, Octopus Hair Tie, Nani Design, [Post Date Unknown], [Site seen Apr. 28, 2022], Seen at URL: <https://www.nanidesign.com/product/ear-savers/cute-face-mask-ear-saver-octopus-hair-tie-acrylic-extender-elastic-mask-hook-acrylic-protect-medical-...> 1/4 (Year: 2022).\*

The Scoopie Adjustable Face Mask Extender Strap, Safety Face Mask Strap Length Extension Accessory with Emojis, Mask Holder, The Scoobie Store, Amazon, [Post date: Aug. 30, 2020], [Site seen Apr. 28, 2022], Seen at URL: <https://www.amazon.com/Scoopie-Adjustable-Extender-Extension-Accessory/dp/B08GZS2LN9> (Year: 2020).\*

(Continued)

*Primary Examiner* — Natasha Vujcic

*Assistant Examiner* — Gilbert B Ford

(74) *Attorney, Agent, or Firm* — Fox Rothschild LLP

(57) **CLAIM**

The ornamental design of a mask holder, as shown and described.

**DESCRIPTION**

FIG. 1 is a front view showing the new design for a mask holder.

FIG. 2 is a front, top, perspective view of the invention.

FIG. 3 is a rear, top, perspective view of the invention.

FIG. 4 is a side view of the invention with the left and right side views being mirror images of each other.

FIG. 5 is a top, plan view of the invention.

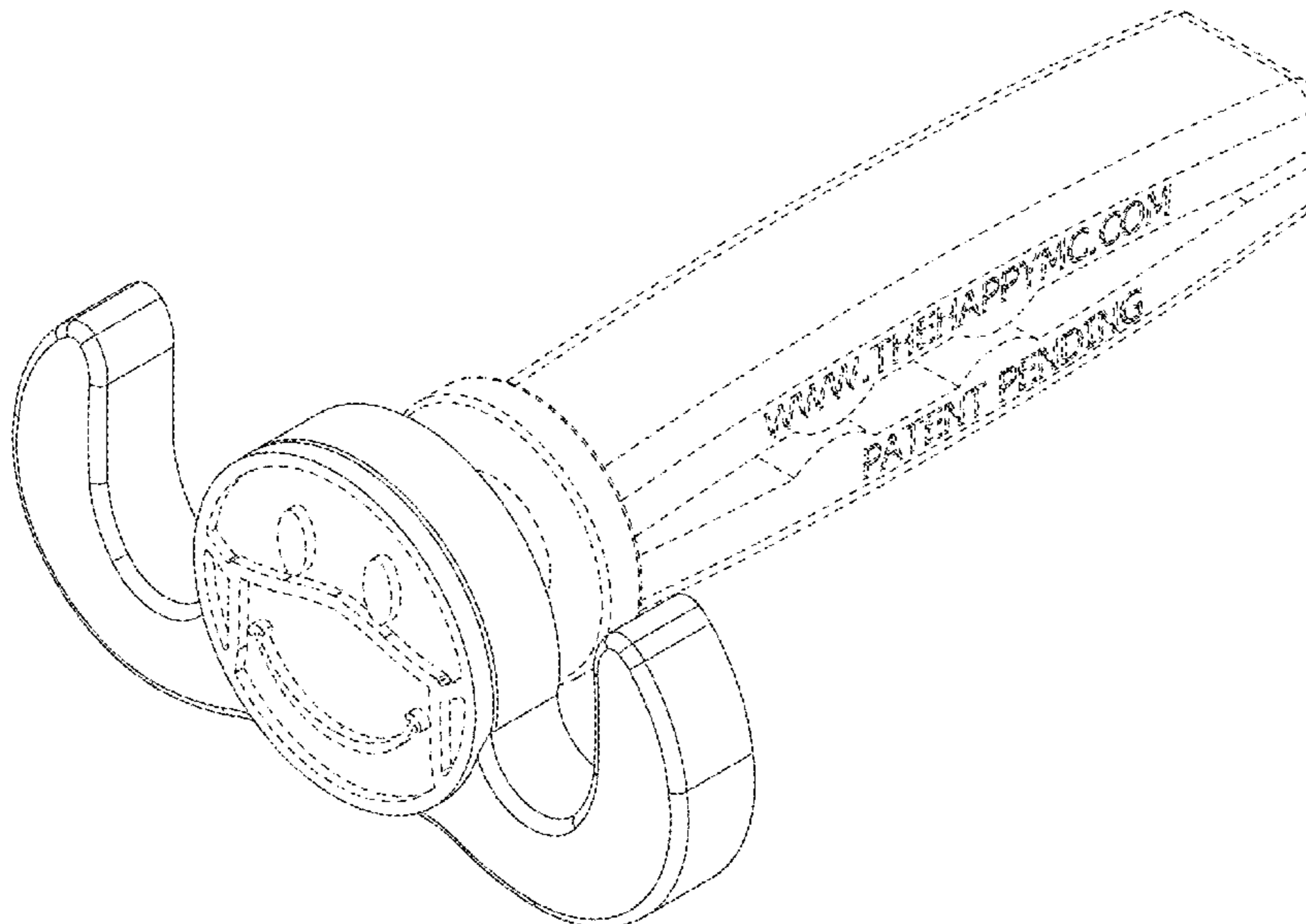
FIG. 6 is a bottom view of the invention; and,

FIG. 7 is a rear view of the invention.

Surface shading has been added in the drawing figures to show the character and contour of the surfaces of the design.

The broken lines shown in the drawing figures represent portions of the invention that are for the purpose of showing environmental structure and forms no part of the claimed design.

**1 Claim, 7 Drawing Sheets**



(56)

**References Cited**

OTHER PUBLICATIONS

Cute Cat Ear Saver Hook for Face Masks, The Cat Ball, [Post date unknown], [Site seen Apr. 28, 2022], Seen at URL: <https://www.thecatball.com/collections/face-masks/products/cute-cat-ear-saver-hook-for-face-masks> (Year: 2022).\*

Face Mask hook, 4imprint USA, [Post date Sep. 21, 2020], [Site seen 4/28/2022], Seen at URL: <https://www.4imprint.com/product/158431/Face-Mask-Hook> (Year: 2020).\*

\* cited by examiner

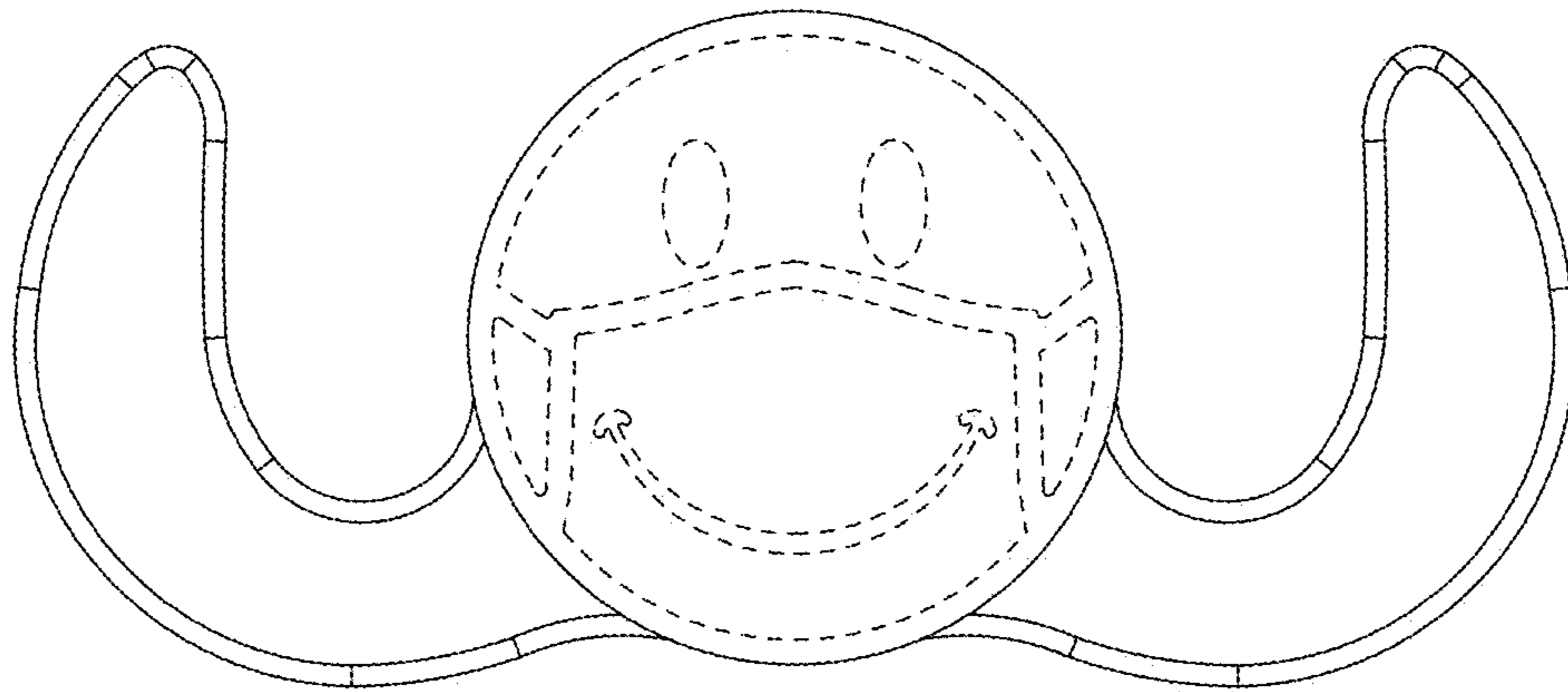


FIG. 1

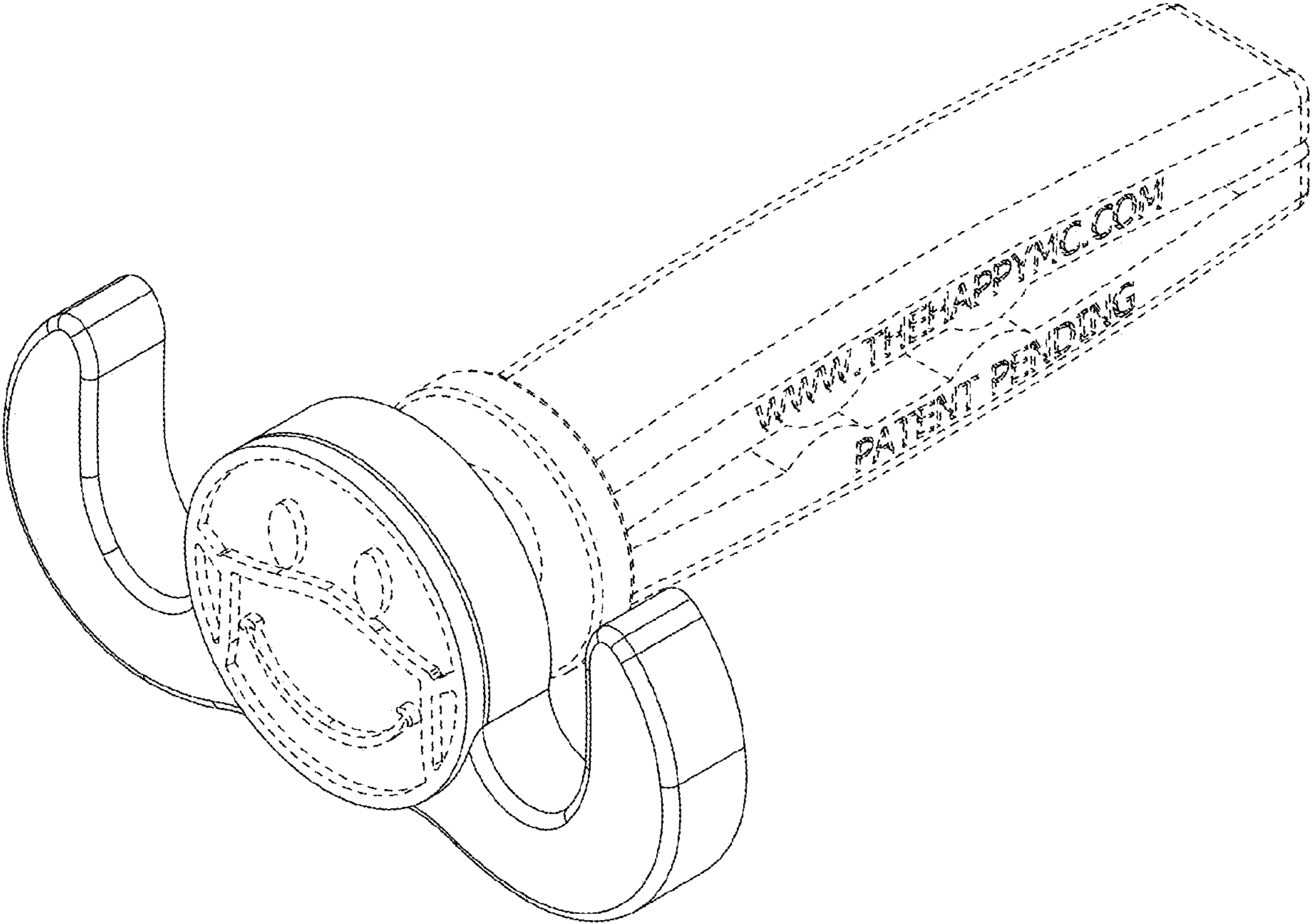


FIG. 2

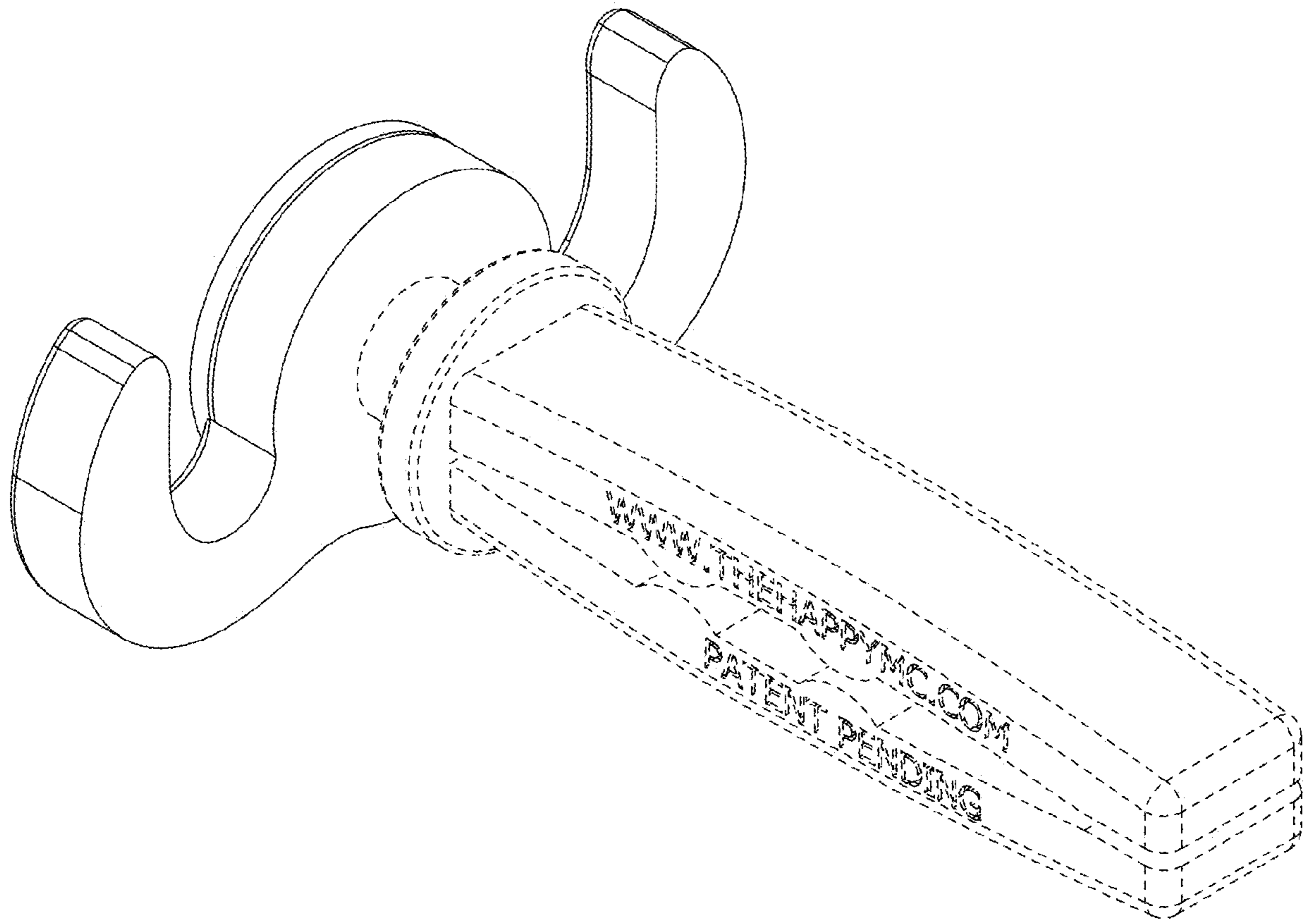


FIG. 3

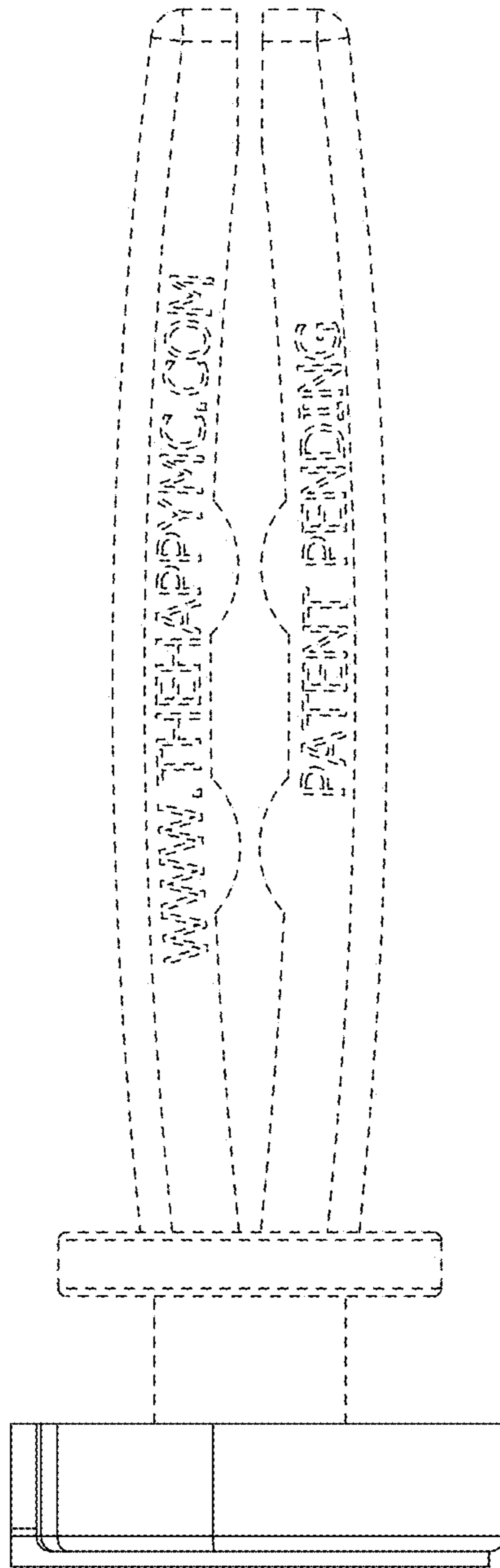


FIG. 4

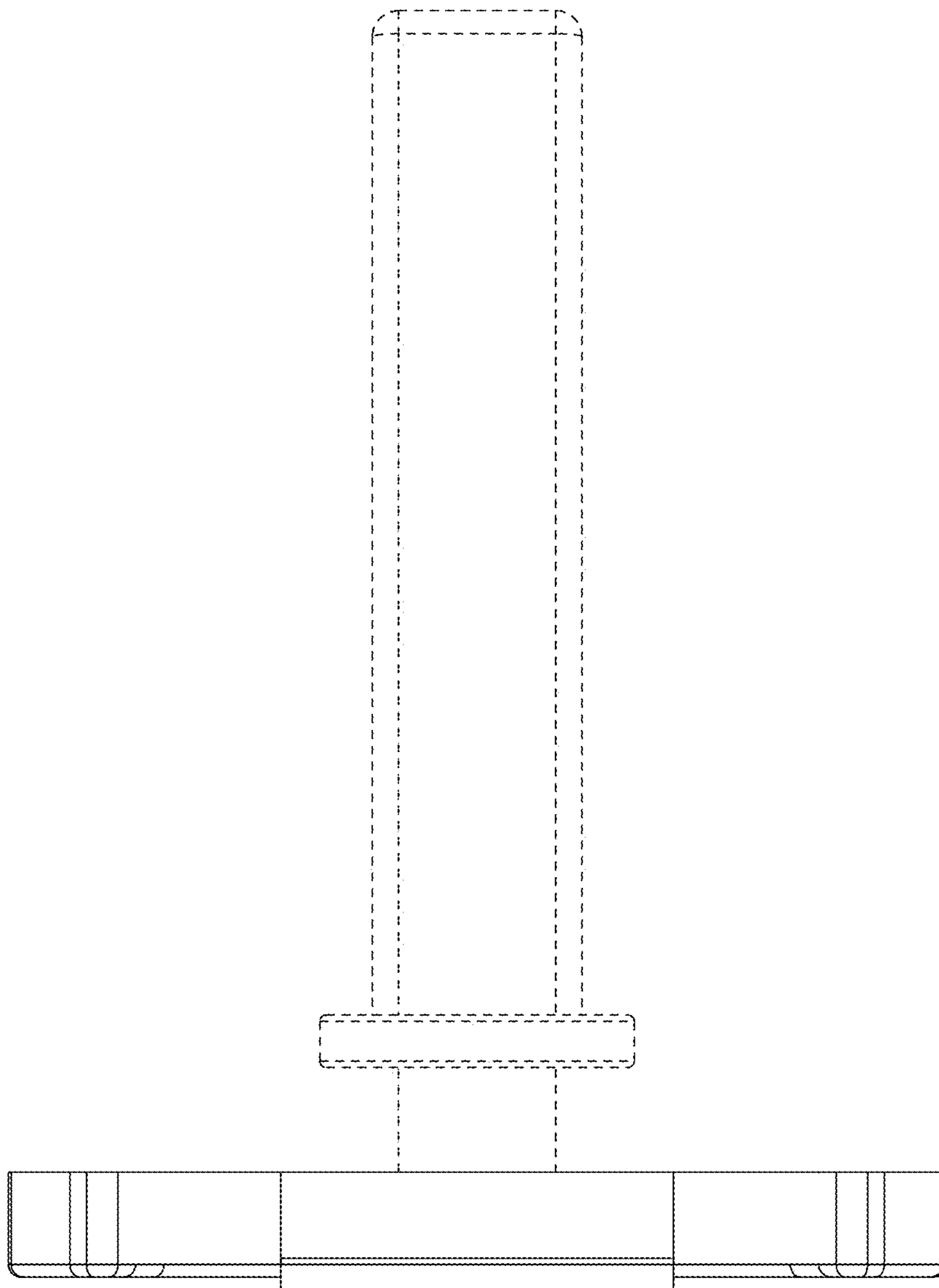


FIG. 5

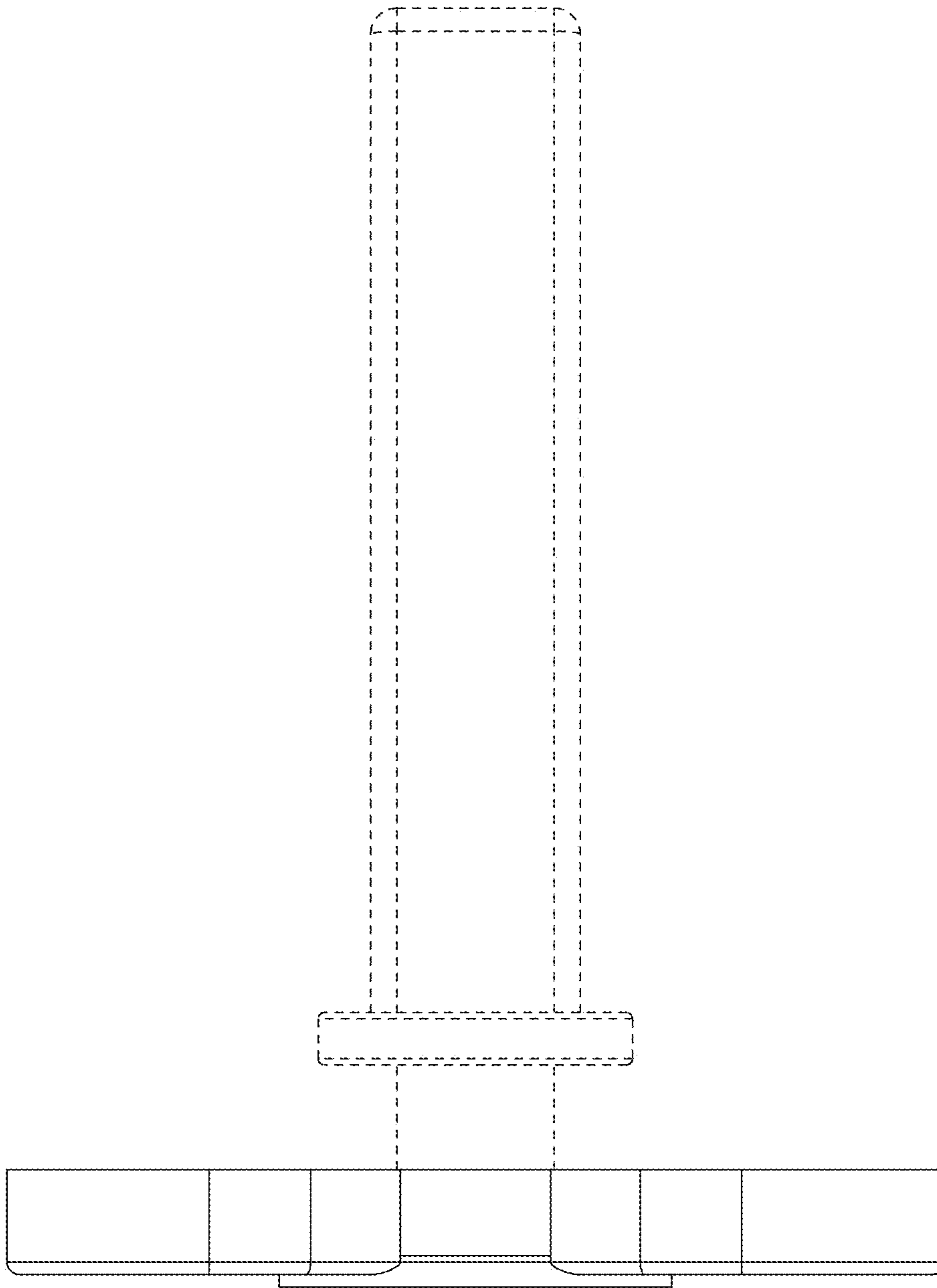


FIG. 6



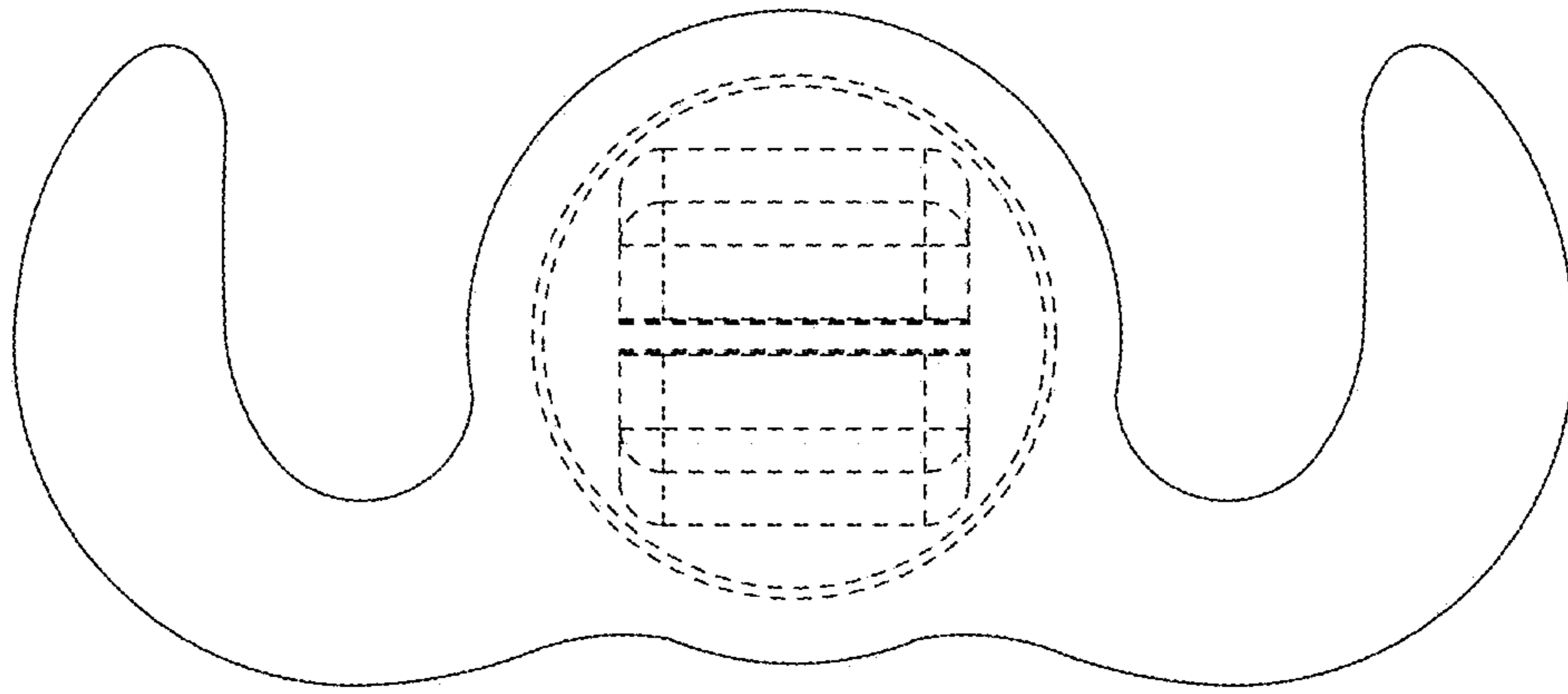


FIG. 7