



US00D957631S

(12) **United States Design Patent** (10) **Patent No.:** **US D957,631 S**  
**Lau** (45) **Date of Patent:** **\*\* Jul. 12, 2022**

(54) **URINE COLLECTION CUP HANDLE**

2009/0155127 A1 6/2009 Kopoian  
2019/0015082 A1 1/2019 Little  
2020/0093466 A1\* 3/2020 Washington ..... B01L 9/00  
(Continued)

(71) Applicant: **Cindy Lau**, Glendale, AZ (US)

(72) Inventor: **Cindy Lau**, Glendale, AZ (US)

(\*\*) Term: **15 Years**

FOREIGN PATENT DOCUMENTS

CA 141773 \* 7/2012

(21) Appl. No.: **29/754,098**

OTHER PUBLICATIONS

(22) Filed: **Oct. 6, 2020**

Olympic Clean-Catch, Campbell Pet Company, [Post date: unknown],  
[Site seen Apr. 5, 2022], Seen at URL: <https://www.campbellpet.com/products/new-olympic-clean-catch?variant=44034614995> (Year: 2022).\*

(51) **LOC (13) Cl.** ..... **24-02**

(52) **U.S. Cl.**  
USPC ..... **D24/128**

(Continued)

(58) **Field of Classification Search**  
USPC ..... D24/108, 121, 122, 127, 128, 133, 216,  
D24/231

*Primary Examiner* — Natasha Vujcic  
*Assistant Examiner* — Gilbert B Ford

CPC ..... A61F 5/455; A61F 5/4553; A61F 13/472;  
A61F 5/44; A61B 10/007

(57) **CLAIM**

See application file for complete search history.

The ornamental design for a urine collection cup handle, as shown and described.

(56) **References Cited**

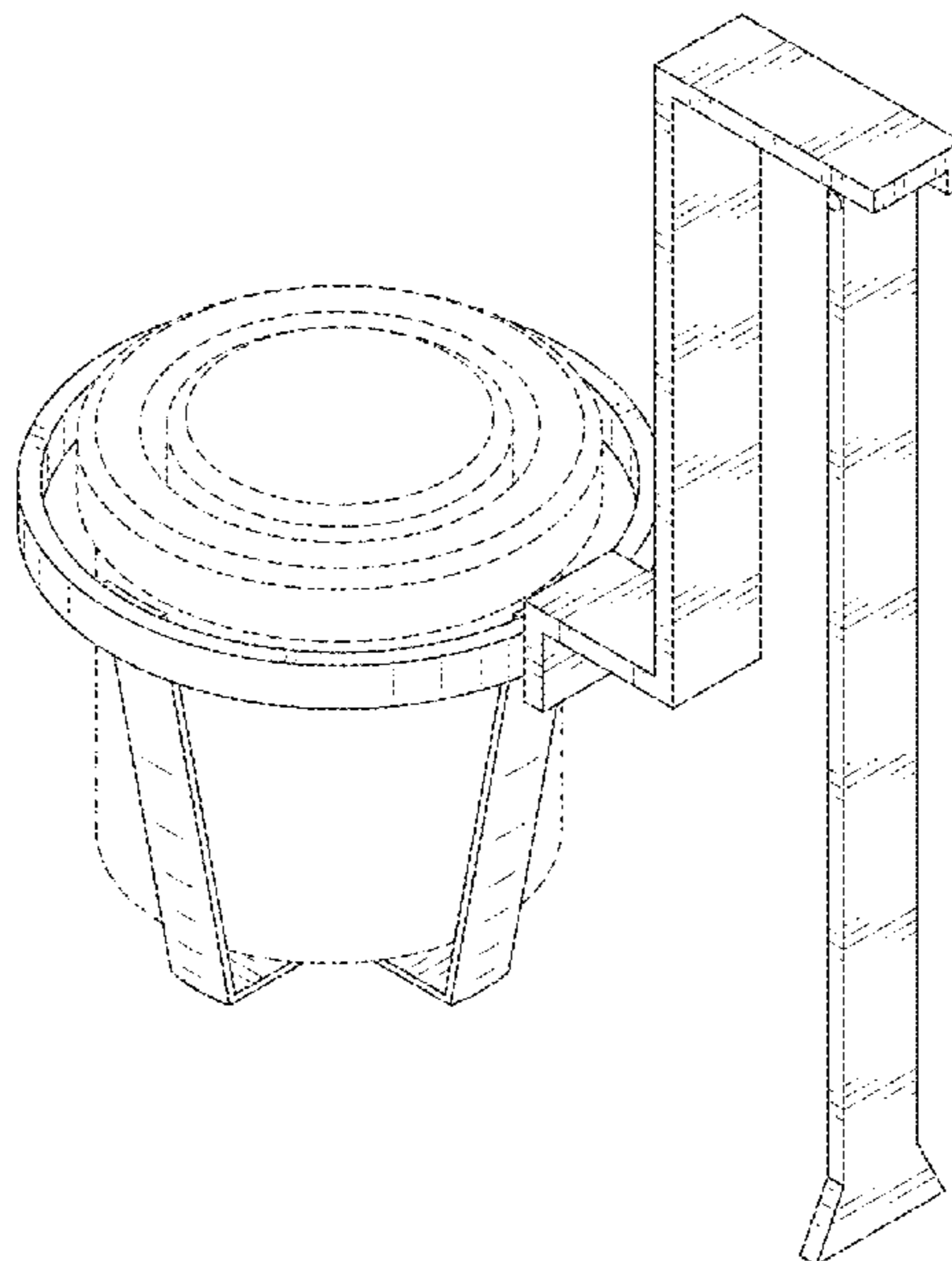
**DESCRIPTION**

U.S. PATENT DOCUMENTS

- D335,176 S 4/1993 Jones
- D335,178 S \* 4/1993 Jones ..... D24/227
- D335,708 S \* 5/1993 Jones ..... D24/227
- D357,066 S 4/1995 Jones
- 6,719,951 B1 4/2004 Griffith
- 6,973,678 B2 12/2005 Jones
- 8,091,848 B1 \* 1/2012 Reed ..... A61B 10/007  
248/312
- 8,465,440 B1 \* 6/2013 Grayson ..... A61B 10/007  
D24/227
- D729,929 S \* 5/2015 McBride ..... D24/108
- D745,145 S \* 12/2015 Bivens ..... D24/128
- D773,657 S \* 12/2016 Meloff ..... D24/128
- D792,968 S \* 7/2017 Galitz ..... D24/128
- D809,655 S \* 2/2018 Eaton ..... D24/128
- 2008/0140032 A1 \* 6/2008 O'Malley ..... A61B 10/007  
220/737
- 2009/0076413 A1 3/2009 Robles

FIG. 1 is a front view of a urine collection cup handle showing my new design;  
 FIG. 2 is a rear view of the urine collection cup handle;  
 FIG. 3 is a right side view of the urine collection cup handle;  
 FIG. 4 is a left side view of the urine collection cup handle;  
 FIG. 5 is a top view of the urine collection cup handle;  
 FIG. 6 is a bottom view of the urine collection cup handle;  
 and,  
 FIG. 7 is a top front side perspective view of the urine collection cup handle with a portion of the handle in an alternative position.  
 The broken lines in the drawings illustrate portions of the environment of the urine collection cup handle and form no part of the claimed design.

**1 Claim, 7 Drawing Sheets**



(56)

**References Cited**

U.S. PATENT DOCUMENTS

2021/0353264 A1\* 11/2021 Green ..... A61B 10/007

OTHER PUBLICATIONS

Darlene Hooper Urine Sample Cup Holder, Darlene Hooper, youtube,  
[Post date: Mar. 4, 2013], Site seen Apr. 5, 2022], Seen at URL:  
<https://www.youtube.com/watch?v=WCNT6jHYx7s> (Year: 2013).\*

\* cited by examiner

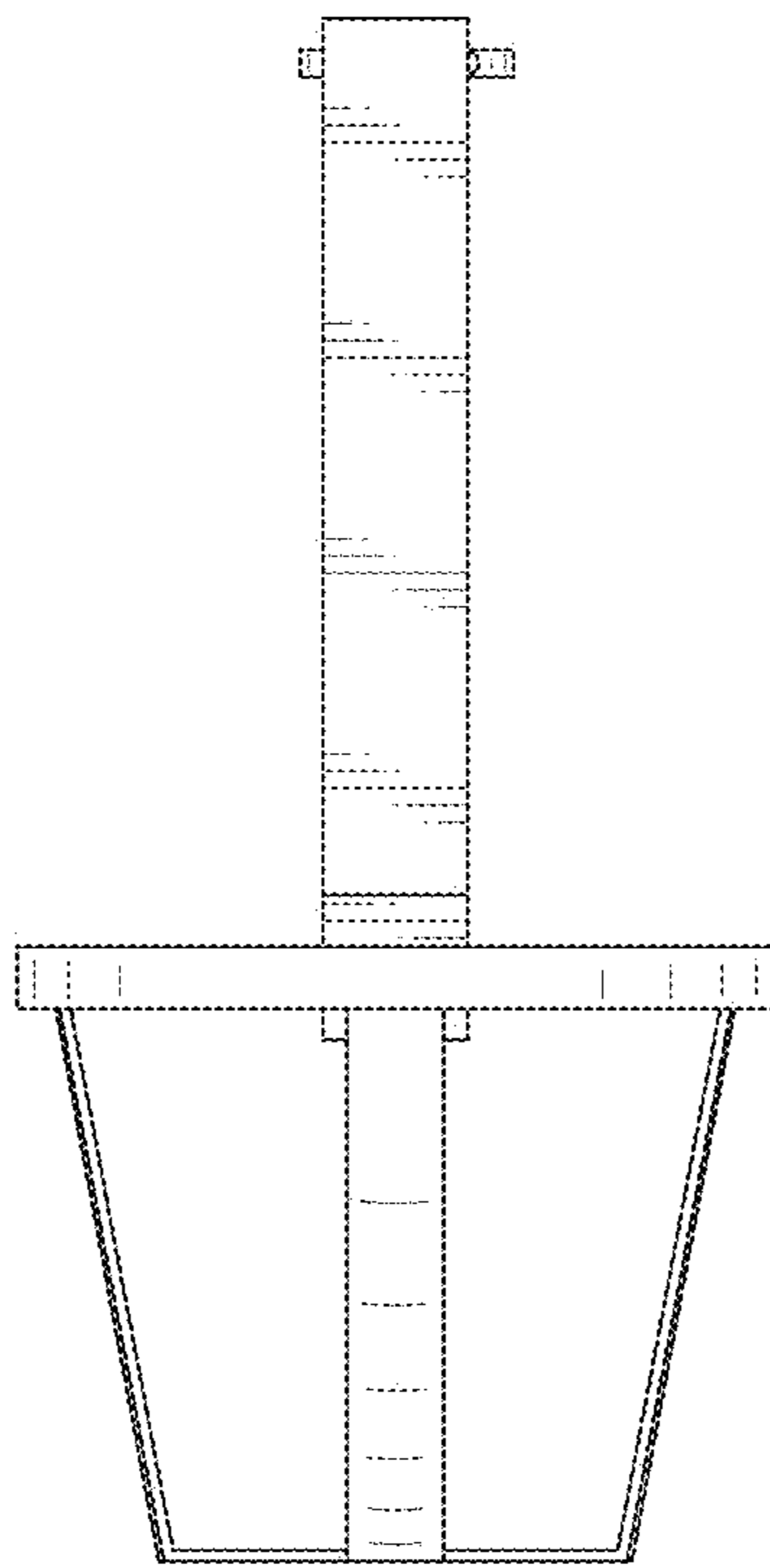


FIG. 1

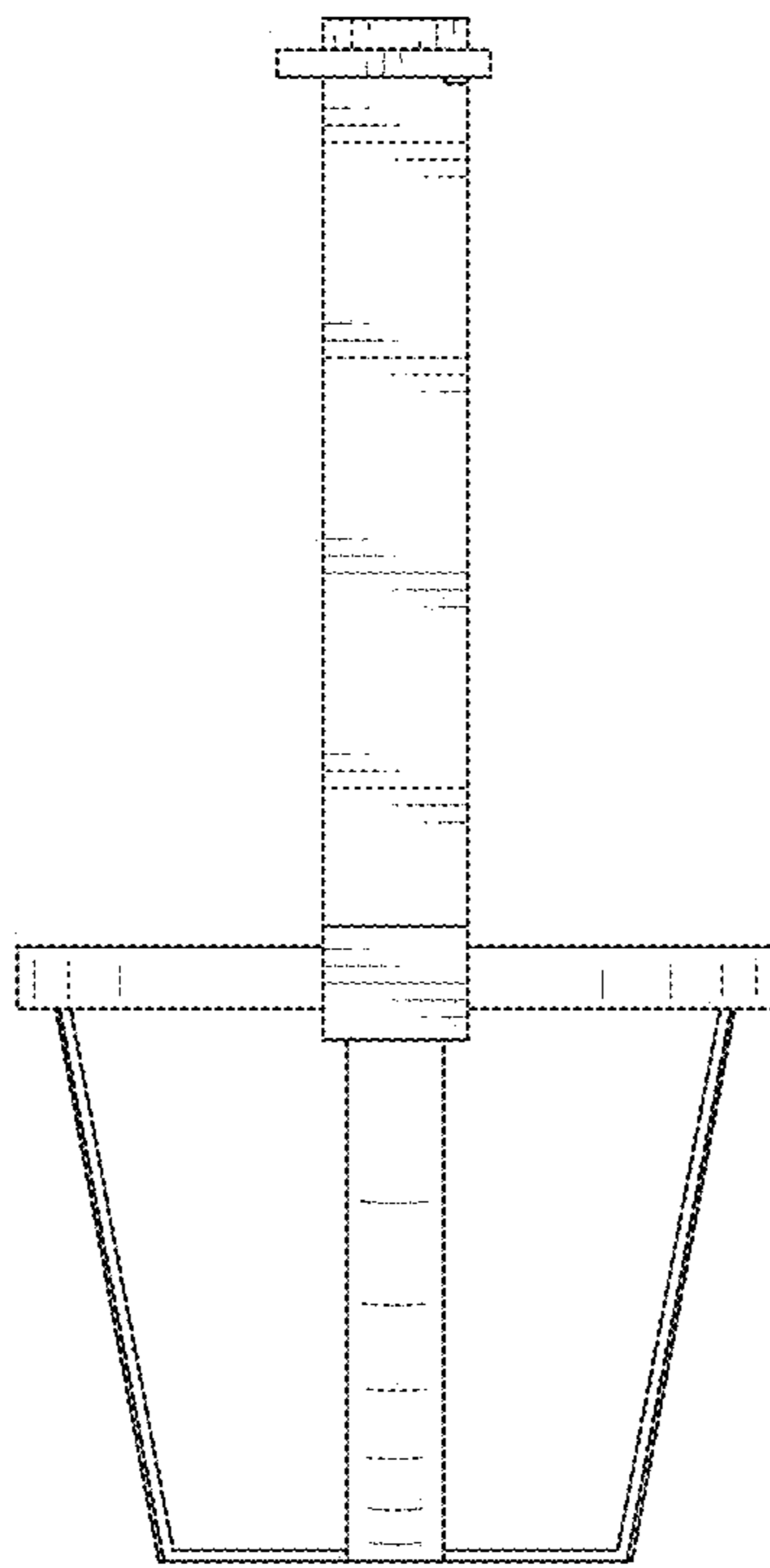


FIG. 2

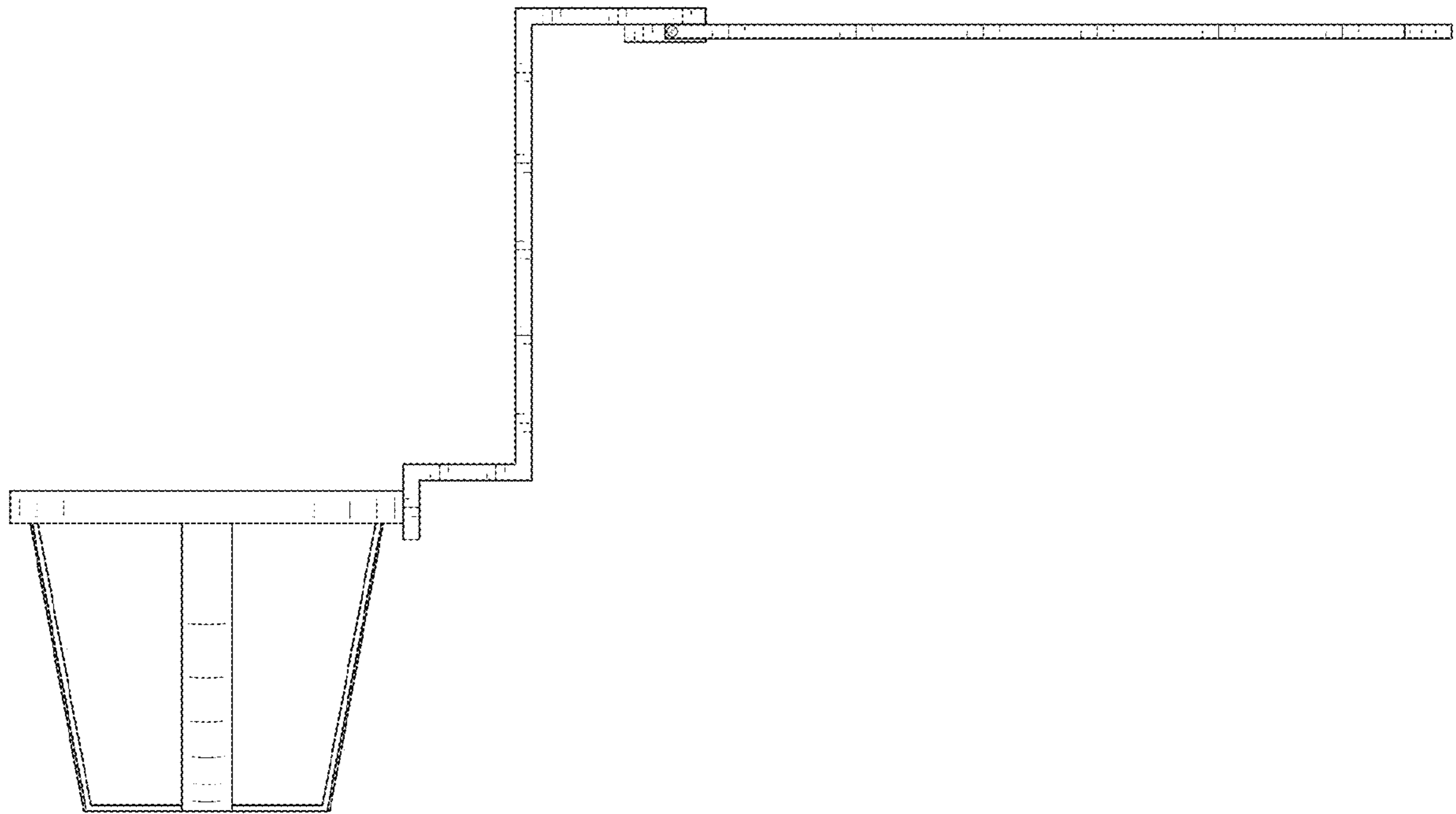


FIG. 3

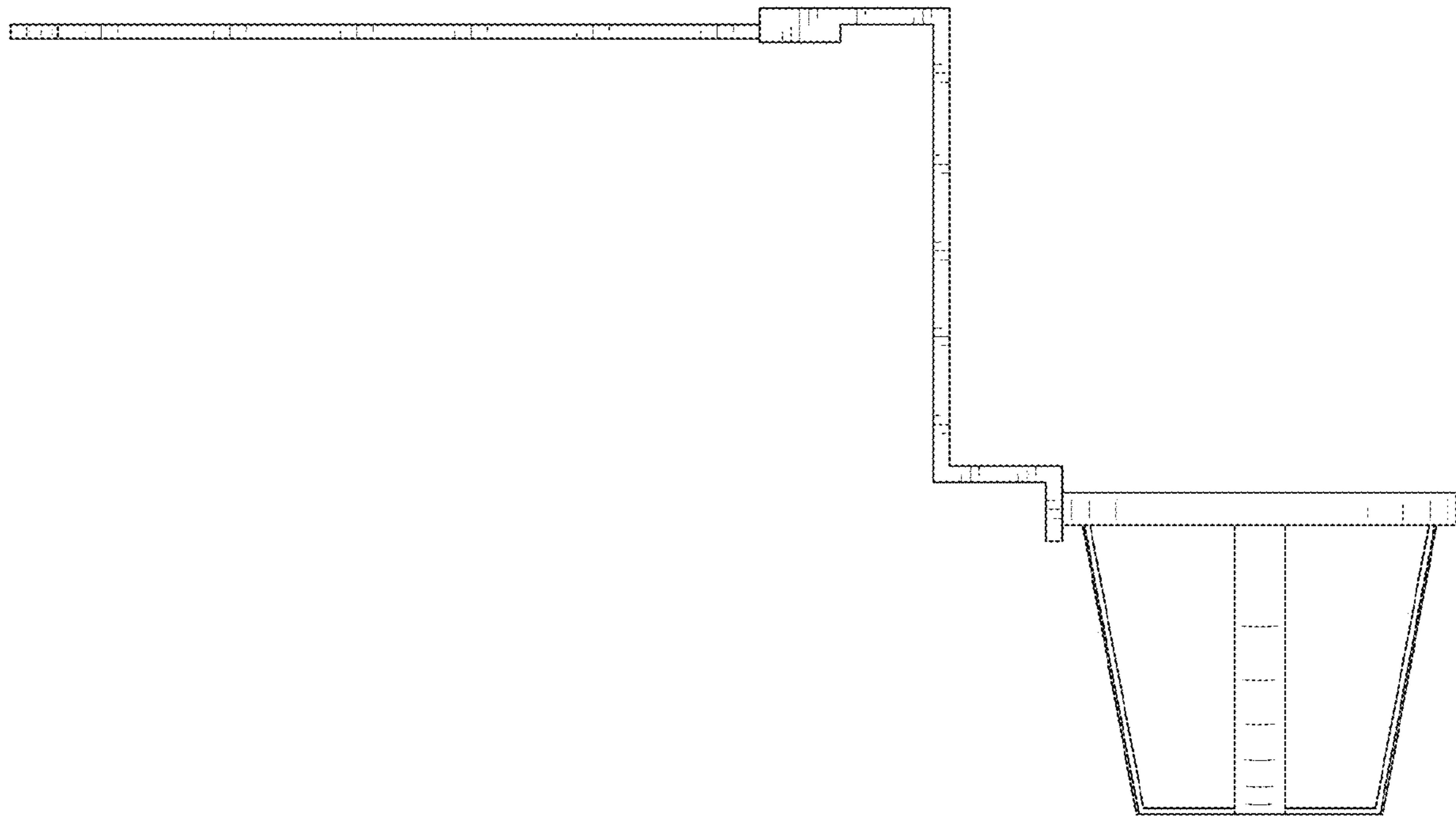


FIG. 4

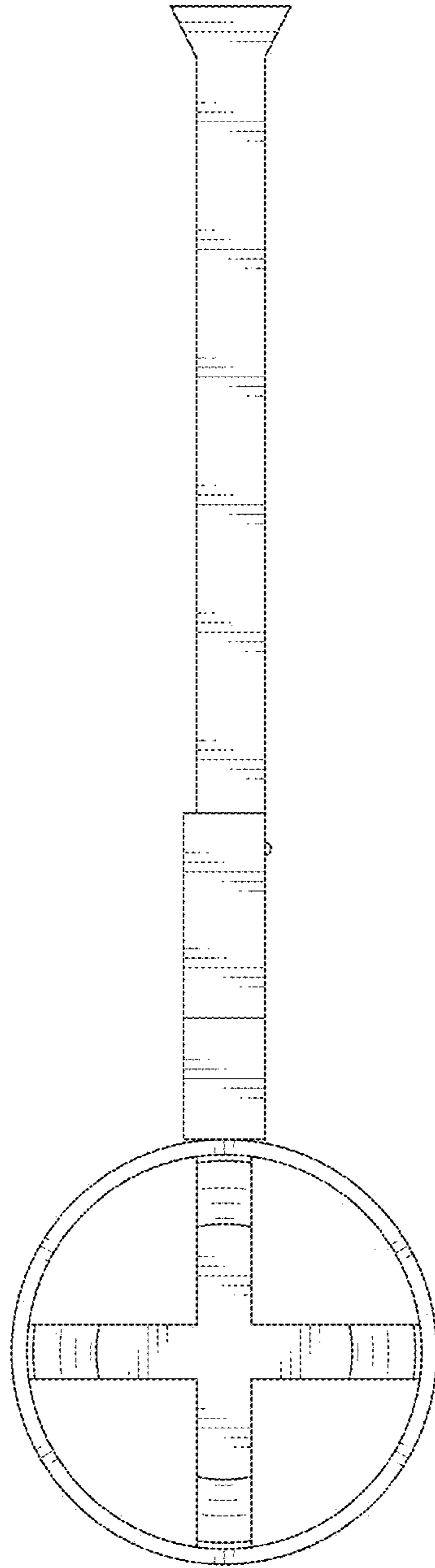


FIG. 5

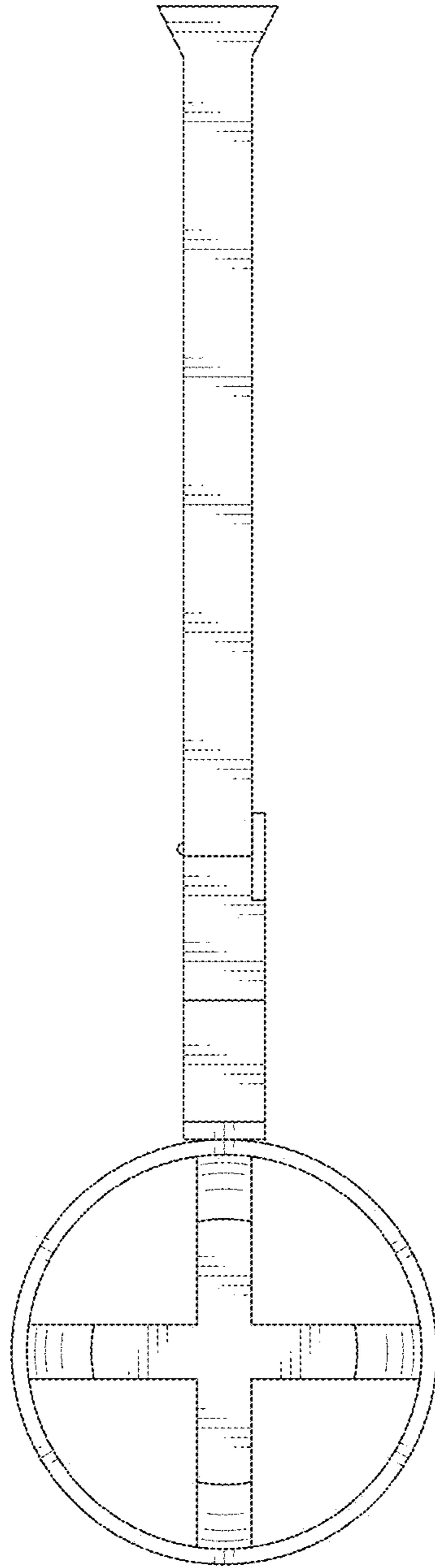


FIG. 6



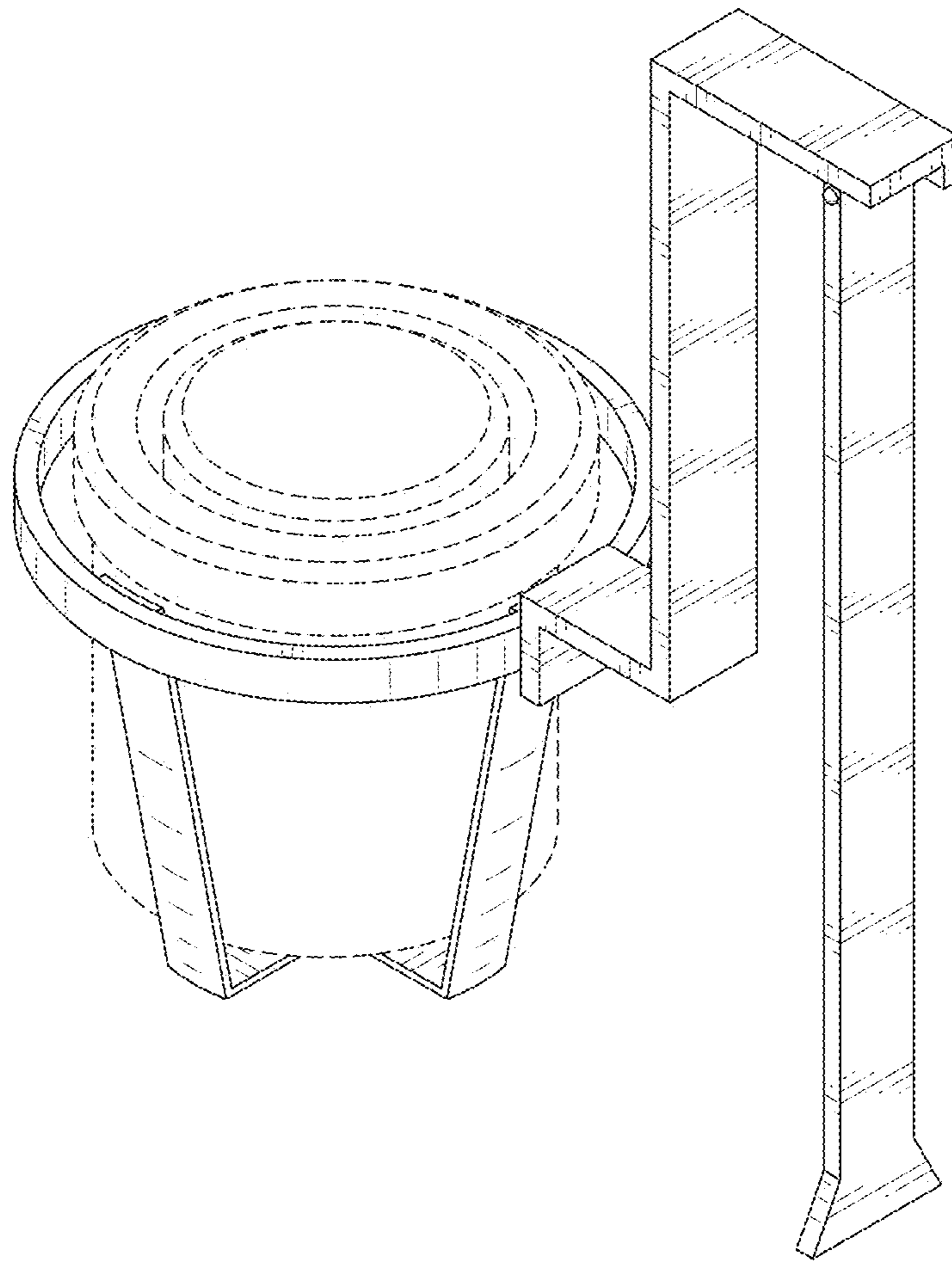


FIG. 7