



US00D957630S

(12) **United States Design Patent** (10) **Patent No.:** **US D957,630 S**  
**Punim** (45) **Date of Patent:** **\*\* Jul. 12, 2022**

(54) **PORT RETENTION CLIP**  
(71) Applicant: **ICU Medical, Inc.**, San Clemente, CA (US)  
(72) Inventor: **Amanda Punim**, Dana Point, CA (US)  
(73) Assignee: **ICU MEDICAL, INC.**, San Clemente, CA (US)

7,507,226 B2 3/2009 Stanus et al.  
7,744,581 B2 6/2010 Wallen et al.  
7,758,560 B2 7/2010 Connell et al.  
(Continued)

**FOREIGN PATENT DOCUMENTS**

CN 201426880 Y 3/2010  
CN 201719627 U 1/2011  
(Continued)

(\*\*) Term: **15 Years**

**OTHER PUBLICATIONS**

(21) Appl. No.: **29/691,872**  
(22) Filed: **May 20, 2019**  
(51) **LOC (13) Cl.** ..... **24-02**  
(52) **U.S. Cl.**  
USPC ..... **D24/127**  
(58) **Field of Classification Search**  
USPC ..... D8/356, 383, 358, 394, 354, 360;  
D24/127-129; D11/206, 215, 218  
CPC ..... A61B 1/00068; A61B 1/0014; A61B  
1/00147; A61B 1/015  
See application file for complete search history.

AMT Clamp Feeding Tube Clamp, Date Visited: May 4, 2021, Vitality Medical, Date Available: Jul. 8, 2011, <https://www.vitalitymedical.com/applied-medical-tech-amt-clamp-feeding-tube-clamp-connector.html> (Year: 2011).\*  
(Continued)

*Primary Examiner* — Susan Bennett Hattan  
*Assistant Examiner* — Elizabeth S Ko  
(74) *Attorney, Agent, or Firm* — Knobbe, Martens, Olson & Bear, LLP

(56) **References Cited**

(57) **CLAIM**

**U.S. PATENT DOCUMENTS**

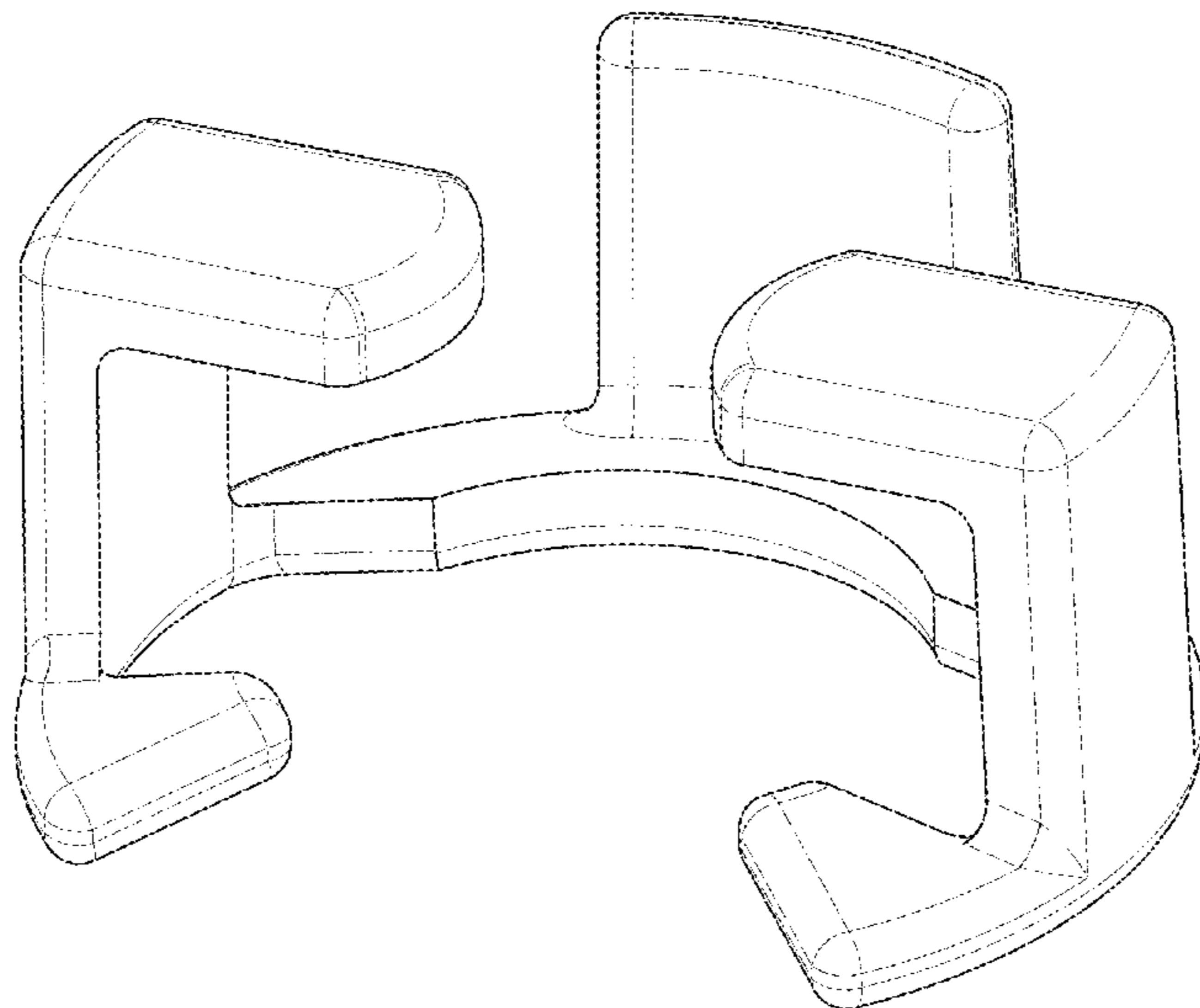
The ornamental design for a port retention clip, as shown and described.

- 4,333,505 A 6/1982 Jones et al.
- D265,508 S \* 7/1982 Rusteberg ..... D24/128
- D283,918 S \* 5/1986 Jacobson ..... 251/10
- D308,011 S \* 5/1990 Norris ..... D27/138
- 5,289,858 A 3/1994 Grabenkort
- 5,334,179 A 8/1994 Poli et al.
- 5,472,434 A 12/1995 Lechleiter
- D379,509 S \* 5/1997 Macko ..... D24/128
- 5,839,715 A 11/1998 Leinsing
- 5,897,526 A 4/1999 Vaillancourt
- D410,740 S \* 6/1999 Molina ..... D24/108
- 6,022,339 A 8/2000 Fowles et al.
- 6,485,472 B1 11/2002 Richmond
- 6,726,672 B1 4/2004 Hanly et al.
- D540,466 S \* 4/2007 Homra ..... A61G 13/101  
D24/128
- D573,250 S \* 7/2008 MacRae ..... D24/108

**DESCRIPTION**

FIG. 1 is a front perspective view of a port retention clip showing our new design;  
FIG. 2 is a back perspective view thereof;  
FIG. 3 is a front elevational view thereof;  
FIG. 4 is a rear elevational view thereof;  
FIG. 5 is a right side elevational view thereof;  
FIG. 6 is a left side elevational view thereof;  
FIG. 7 is a top plan view thereof; and,  
FIG. 8 is a bottom plan view thereof.

**1 Claim, 8 Drawing Sheets**



(56)

References Cited

U.S. PATENT DOCUMENTS

7,780,644 B2 8/2010 Miyajima et al.  
 7,867,215 B2 1/2011 Akerlund et al.  
 D647,787 S \* 11/2011 Duval ..... D8/394  
 D657,460 S \* 4/2012 Uhlenkamp ..... D24/128  
 D657,869 S \* 4/2012 Mammen ..... D24/128  
 8,162,013 B2 4/2012 Rosenquist et al.  
 D691,874 S \* 10/2013 Ganski ..... D8/356  
 D701,303 S \* 3/2014 Cook ..... D24/128  
 D704,829 S \* 5/2014 McAtamney ..... D24/128  
 D715,427 S \* 10/2014 Jovet-Hug ..... D24/128  
 8,864,725 B2 10/2014 Ranalletta et al.  
 D719,013 S \* 12/2014 St. John ..... D8/356  
 D724,724 S \* 3/2015 McAtamney ..... D24/128  
 D733,535 S \* 7/2015 Egami ..... D8/356  
 9,144,646 B2 9/2015 Barron, III et al.  
 D749,209 S \* 2/2016 Uhlenkamp ..... D24/128  
 9,254,361 B2 2/2016 Rahimy et al.  
 D757,258 S \* 5/2016 Weißhaupt ..... D24/127  
 D758,175 S \* 6/2016 Symons ..... D8/383  
 D763,068 S \* 8/2016 Symons ..... D8/383  
 9,532,927 B2 1/2017 Kraus et al.  
 D798,136 S \* 9/2017 Pittman ..... D8/382  
 D815,735 S \* 4/2018 Aliberti ..... D24/128  
 D817,153 S \* 5/2018 Harogolige Padmanabha .....  
 D8/356  
 D820,978 S \* 6/2018 Koehler ..... D24/128  
 D822,202 S \* 7/2018 Roth ..... D24/128  
 D826,034 S \* 8/2018 Feng ..... D8/356  
 D826,399 S \* 8/2018 Smith ..... D24/128  
 10,085,866 B2 10/2018 Wojcik et al.  
 D836,428 S \* 12/2018 Pittman ..... D8/382

D852,354 S \* 6/2019 Wrangmark ..... D24/128  
 D884,885 S \* 5/2020 Hu ..... D24/128  
 D892,607 S \* 8/2020 Boscarello ..... D8/394  
 D896,372 S \* 9/2020 Julian ..... D24/129  
 D930,824 S 9/2021 Punim, Jr.  
 D931,441 S 9/2021 Punim, Jr.  
 2008/0103484 A1 5/2008 Hishikawa et al.  
 2016/0136412 A1 5/2016 McKinnon et al.  
 2018/0133451 A1 5/2018 Takeuchi  
 2018/0280238 A1 10/2018 Fuchs

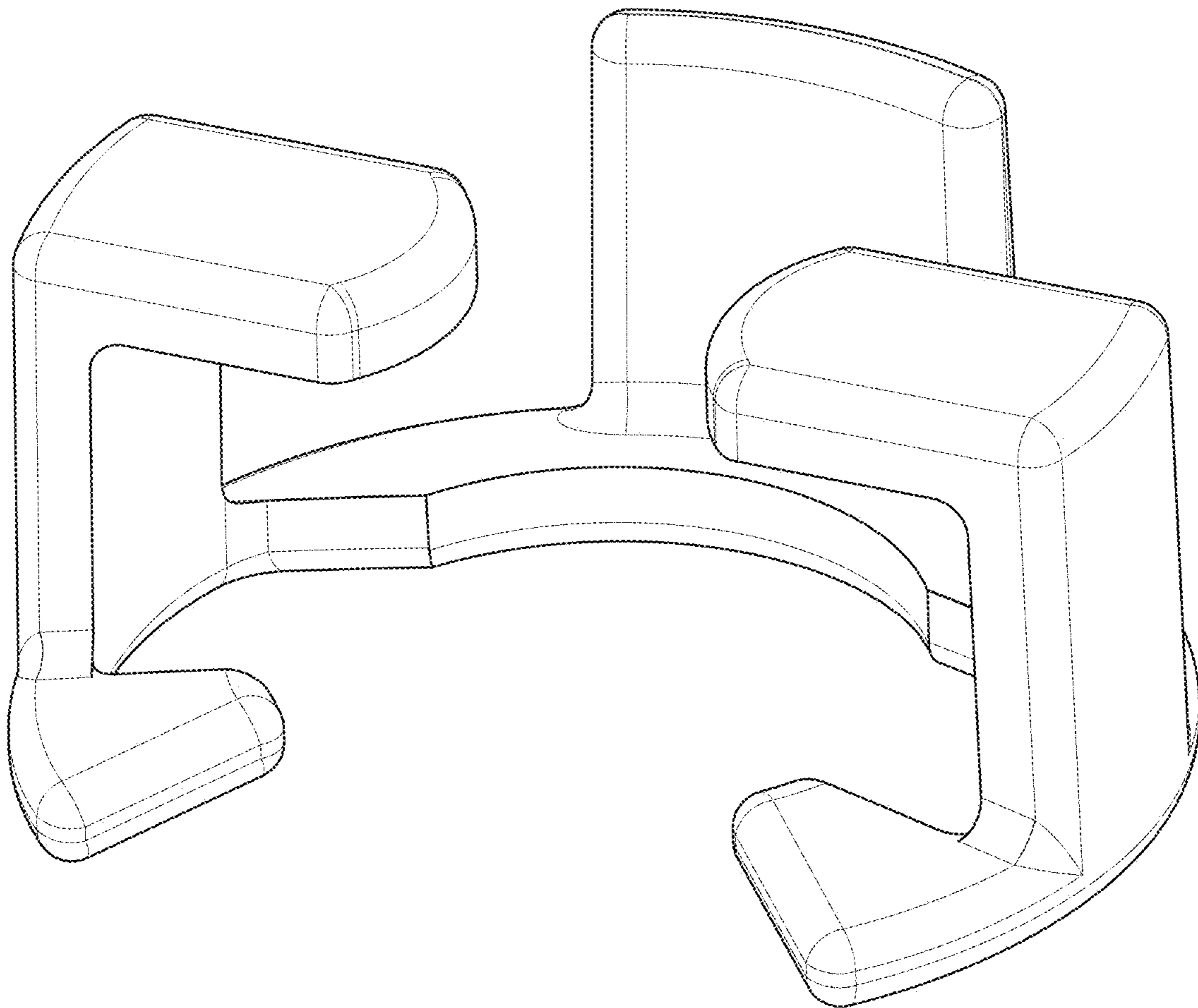
FOREIGN PATENT DOCUMENTS

CN 201987971 U 9/2011  
 CN 205612811 U 10/2016  
 DE 19931771 A1 1/2001  
 DE 102005015504 A1 10/2006  
 DE 102009004459 A1 7/2010  
 DE 102009004461 A1 7/2010  
 EP 1584347 B1 6/2006  
 EP 2349404 B1 11/2013  
 JP H07124264 A 5/1995  
 JP 2003047663 A 2/2003  
 WO WO 1996/00053 A1 1/1996  
 WO WO 2010/140063 A2 12/2010

OTHER PUBLICATIONS

Medical Disposable Product, Date Visited: May 4, 2021, Alibaba, Date Available: May 4, 2021, [https://www.alibaba.com/product-detail/medical-disposable-products-parts-of-iv\\_60715891761.html](https://www.alibaba.com/product-detail/medical-disposable-products-parts-of-iv_60715891761.html) (Year: 2021).\*

\* cited by examiner



*FIG. 1*

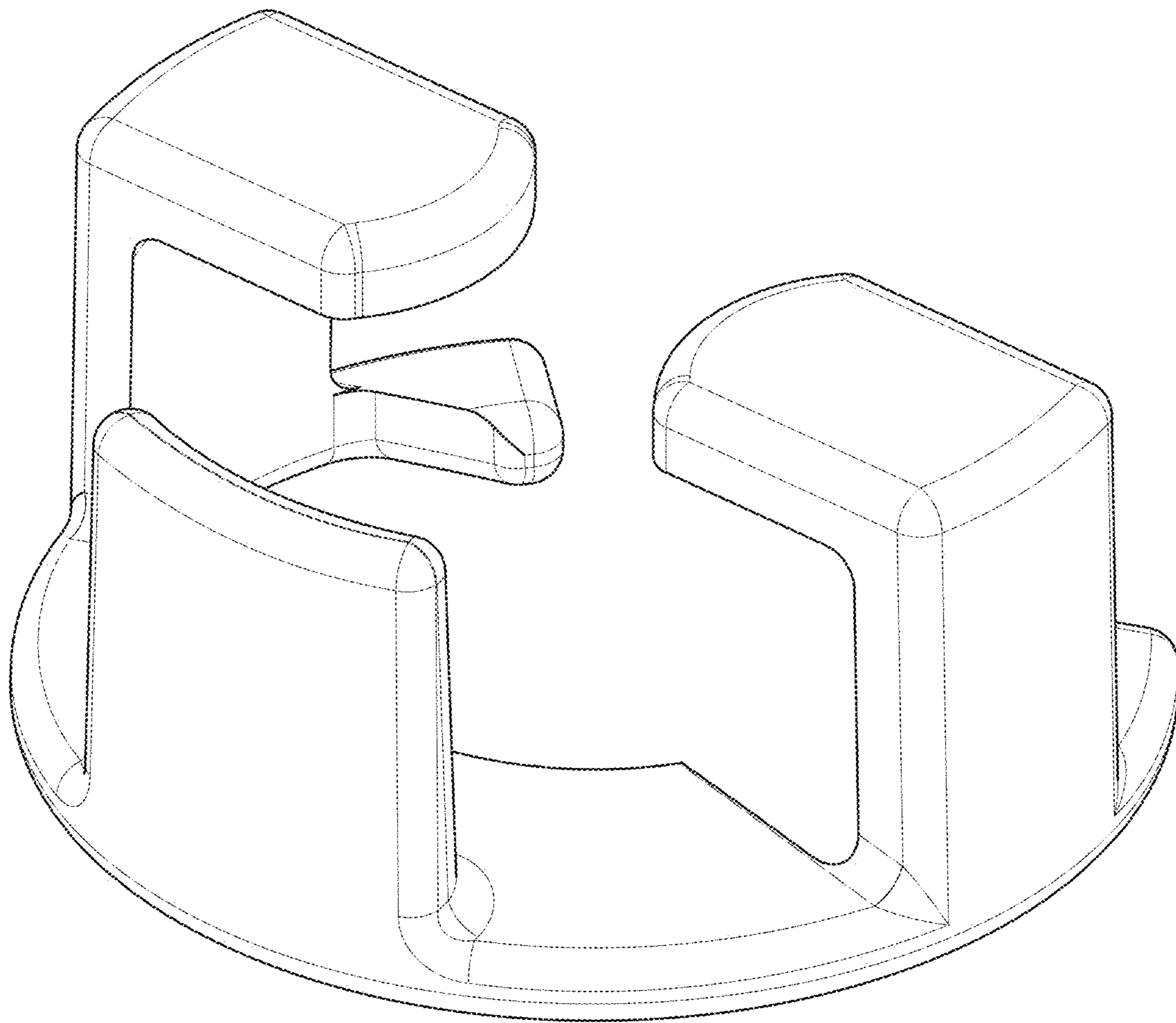
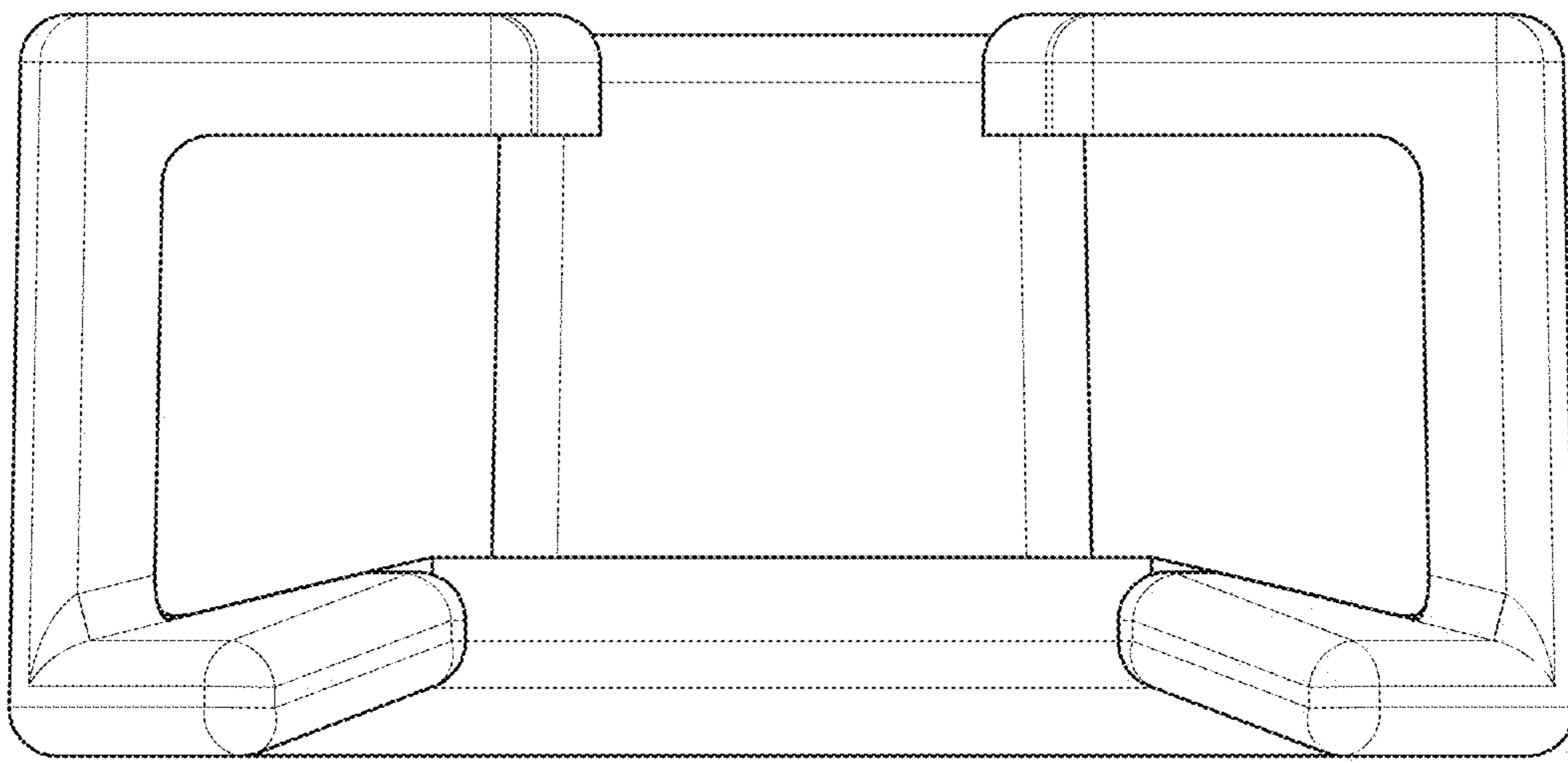


FIG. 2



*FIG. 3*

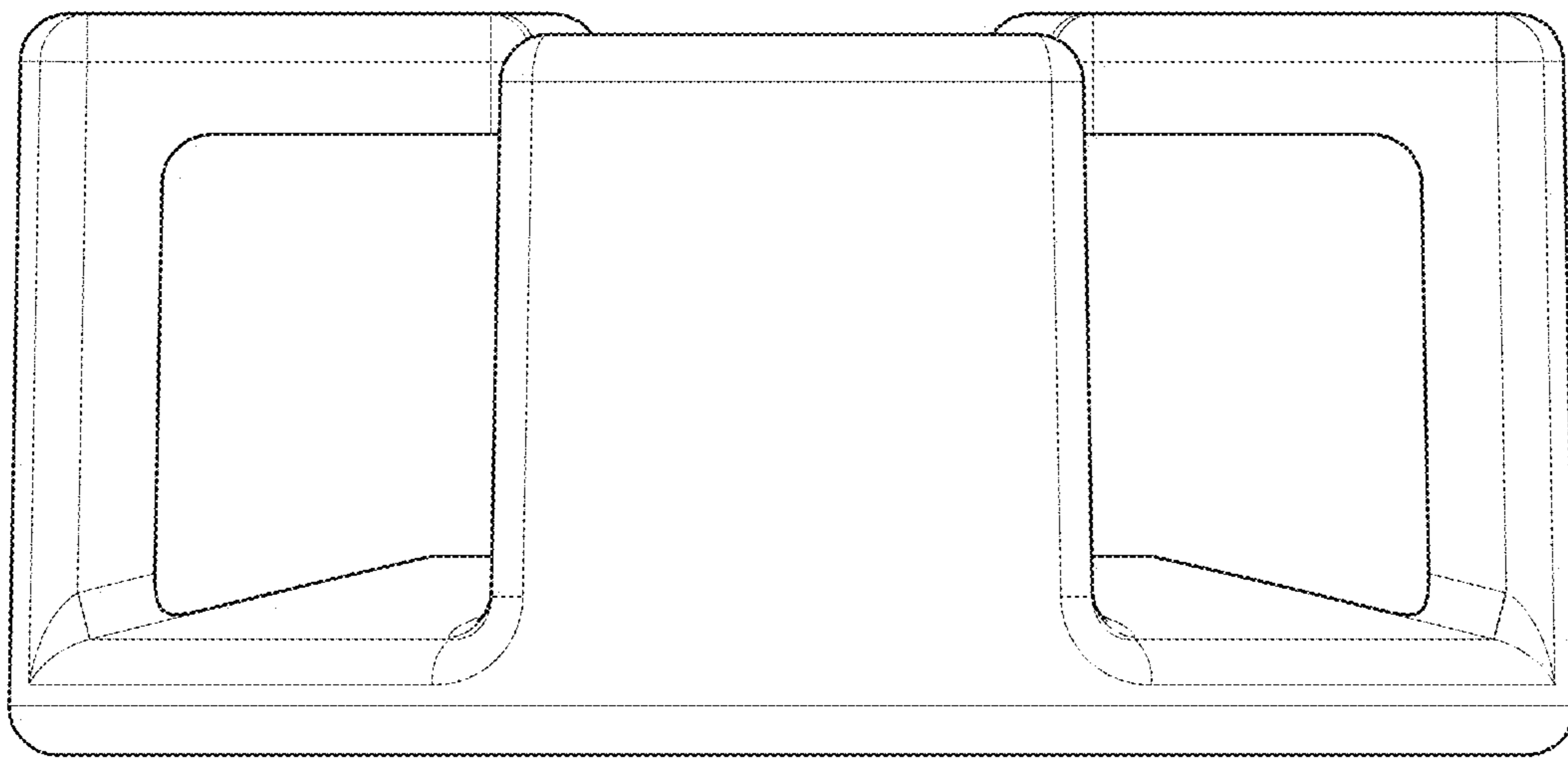
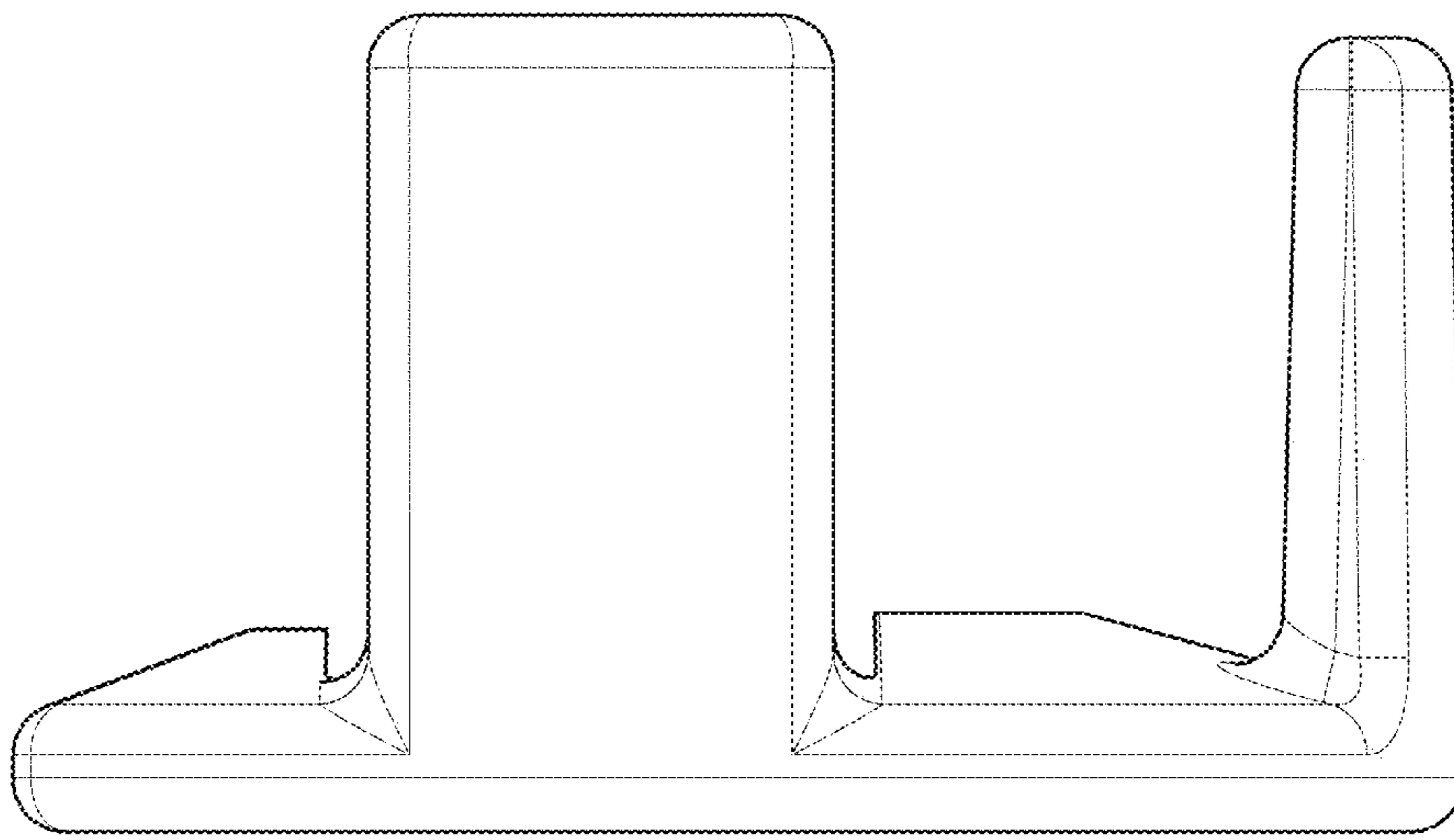
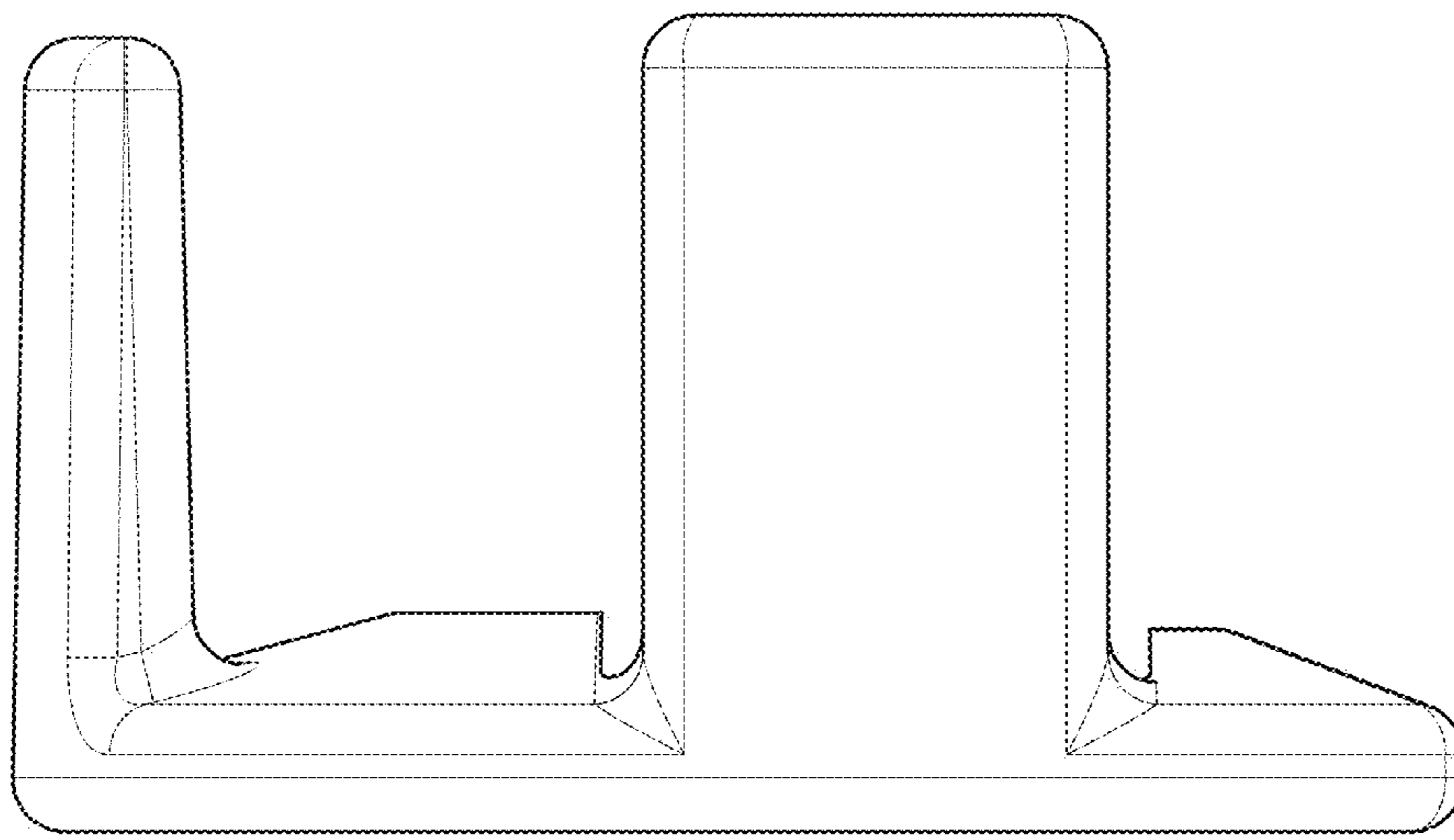


FIG. 4



*FIG. 5*



*FIG. 6*



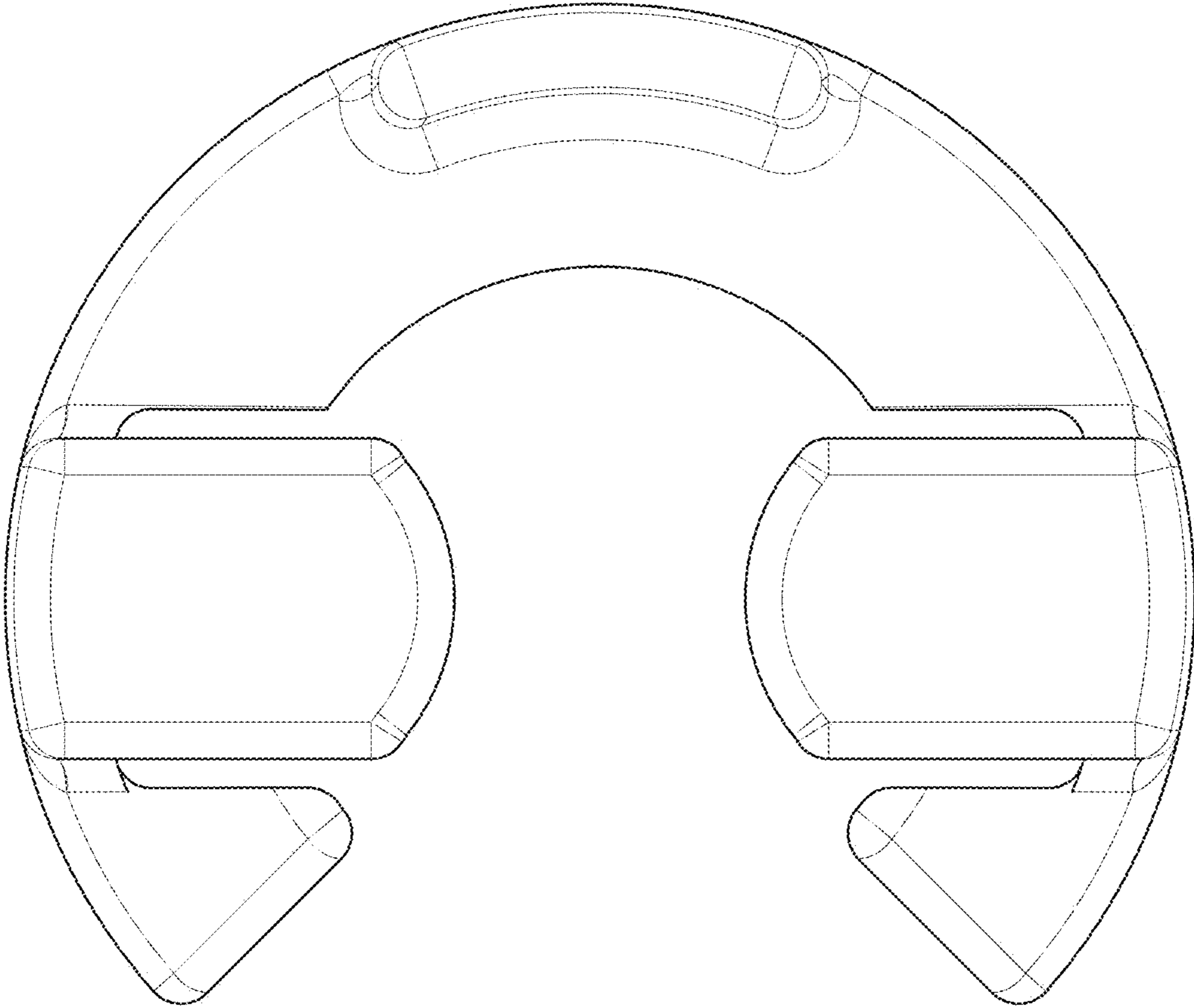


FIG. 7

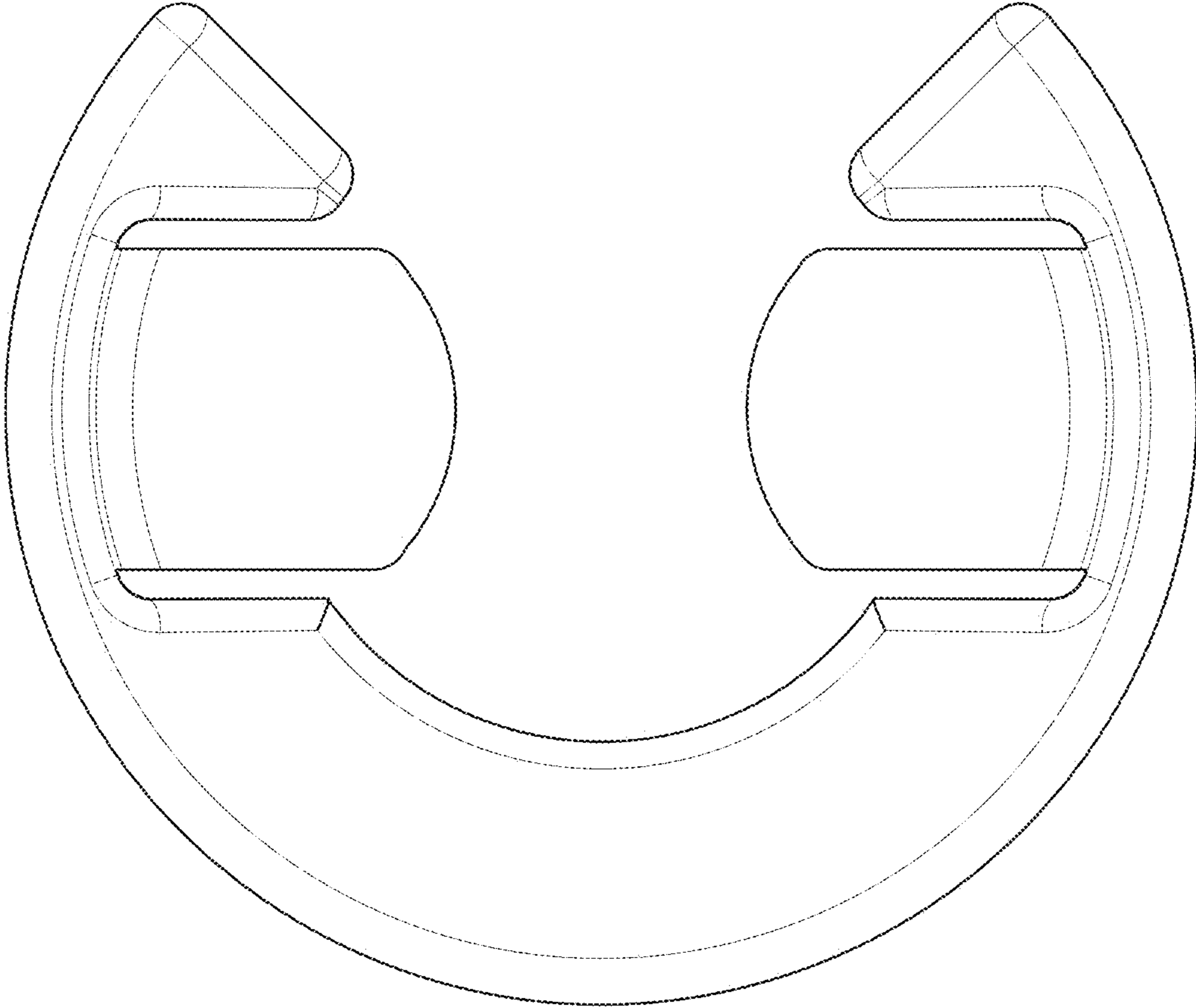


FIG. 8