



US00D957627S

(12) **United States Design Patent**
Pinholt

(10) **Patent No.:** **US D957,627 S**

(45) **Date of Patent:** **** Jul. 12, 2022**

- (54) **OSTOMY ACCESSORY**
- (71) Applicant: **Coloplast A/S**, Humlebaek (DK)
- (72) Inventor: **Niels Pinholt**, Roskilde (DK)
- (73) Assignee: **Coloplast A/S**, Humlebaek (DK)
- (**) Term: **15 Years**
- (21) Appl. No.: **29/728,489**
- (22) Filed: **Mar. 19, 2020**
- (51) **LOC (13) Cl.** **24-02**
- (52) **U.S. Cl.**
USPC **D24/118**
- (58) **Field of Classification Search**
USPC D24/117-118, 107-108, 127-128,
D24/124-126, 100, 112-119, 140-141,
D24/223-224, 228, 133, 151, 184, 186,
D24/189, 190-192, 200; D2/700,
D2/712-713, 176, 731, 716; D29/101.5,
D29/119, 121.1, 124; D5/55-63, 58-63;
D6/354
CPC .. A61F 5/443; A61F 5/448; A61F 2005/4483;
A61F 13/0246; A61F 2013/00978; A61F
13/00051; A61F 13/02; A61F 13/0226;
A61F 13/0259; A61F 5/445; A61F 5/44;
A61F 5/4405; A61M 25/02
See application file for complete search history.

(56) **References Cited**

U.S. PATENT DOCUMENTS

- 3,299,442 A 1/1967 White et al.
- D257,063 S * 9/1980 Galindo D24/127
- 4,397,641 A 8/1983 Jacobs
- 4,439,191 A 3/1984 Hogan
- 4,519,793 A 5/1985 Galindo
- 4,815,459 A 3/1989 Beran
- D303,574 S 9/1989 Steer

- 4,890,608 A 1/1990 Steer
- 5,389,081 A 2/1995 Castro
- 5,501,677 A * 3/1996 Jensen A61F 5/448
604/338
- D379,654 S 6/1997 Holtermann
(Continued)

OTHER PUBLICATIONS

Brava® Protective Seal Convex , coloplast.us, [online], [site visited Feb. 23, 2022], Available from internet URL: <https://products.coloplast.us/coloplast/ostomy-care/brava/brava-ring/brava-protective-seal-convex/> (Year: 2022).*

(Continued)

Primary Examiner — Samantha Q Lawrence
Assistant Examiner — Holly M Rodriguez
(74) *Attorney, Agent, or Firm* — Coloplast Corp.,
Coloplast A/S; Nick Baumann

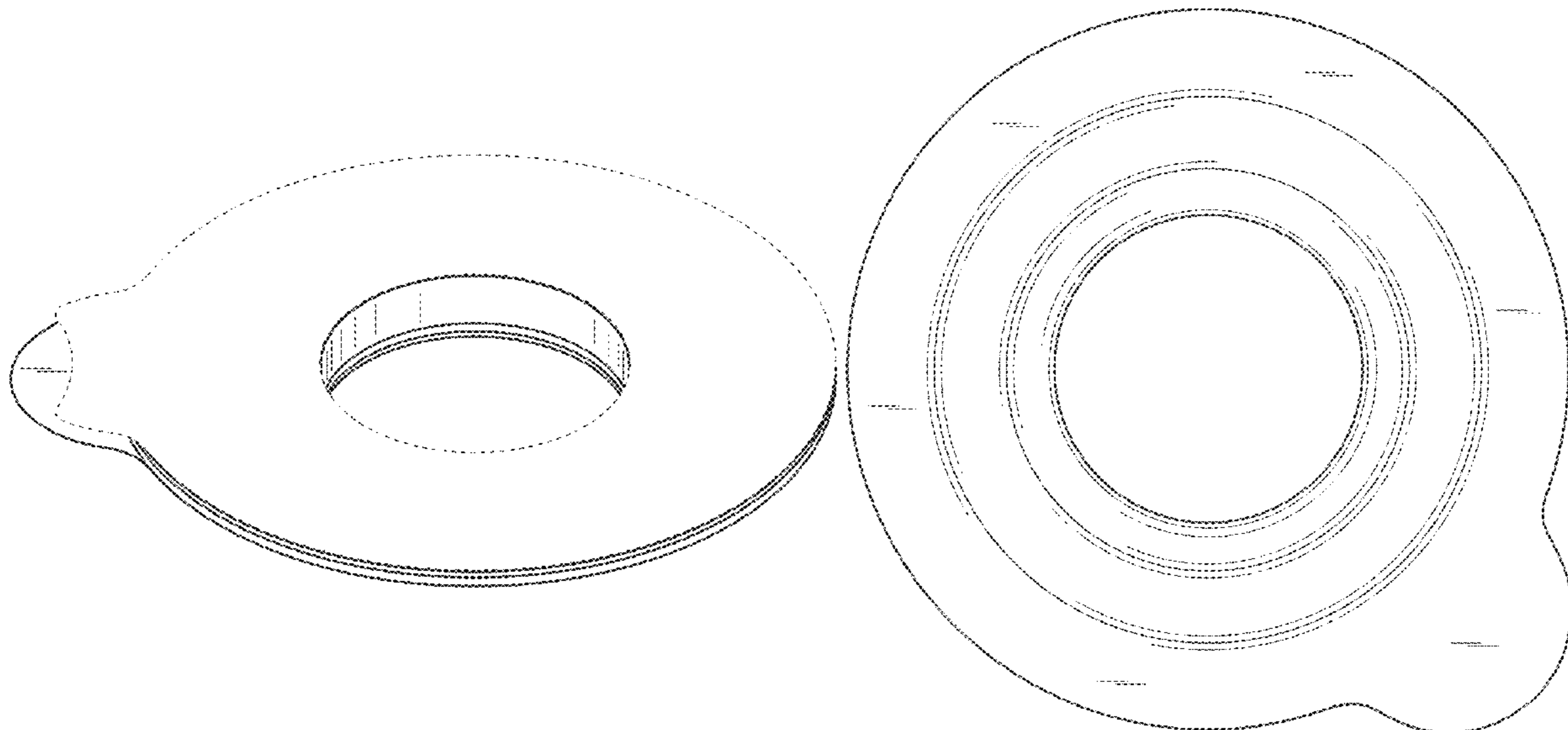
(57) **CLAIM**

The ornamental design for an ostomy accessory, as shown and described.

DESCRIPTION

FIG. 1 is an isometric view of a design for an ostomy accessory.
FIG. 2 is a top view of the design for the ostomy accessory.
FIG. 3 is a bottom view of the design for the ostomy accessory.
FIG. 4 is a front side view of the design for the ostomy accessory.
FIG. 5 is a back side view of the design for the ostomy accessory.
FIG. 6 is a right side view of the design for the ostomy accessory; and,
FIG. 7 is a left side view of the design for the ostomy accessory.
The portions the article shown in broken lines form no part of the claimed design.

1 Claim, 7 Drawing Sheets



(56)

References Cited

U.S. PATENT DOCUMENTS

5,718,696 A * 2/1998 Kollerup A61F 5/448
604/338

D398,990 S 9/1998 Briggs et al.

5,800,415 A * 9/1998 Olsen A61F 5/448
604/338

D460,550 S 7/2002 Falconer

7,129,389 B1 10/2006 Watson

7,422,578 B2 9/2008 Shan et al.

D607,559 S 1/2010 Schena

D639,002 S 5/2011 Dunn et al.

D639,003 S 5/2011 Dunn et al.

D639,004 S 5/2011 Dunn et al.

8,197,844 B2 6/2012 Yanaki

8,328,779 B2 12/2012 Fenton

8,377,020 B1 2/2013 Berven

8,419,767 B2 4/2013 Al-Qbandi et al.

D709,537 S * 7/2014 Kuwabara D15/138

D750,770 S 3/2016 Green

D754,332 S 4/2016 Fahl

D754,848 S 4/2016 Masters et al.

D764,136 S 8/2016 Stravitz

9,463,298 B2 10/2016 Persson et al.

D799,029 S 10/2017 Frostaa

D810,284 S 2/2018 Frostaa

D810,929 S 2/2018 Frostaa

D837,015 S * 1/2019 Tchakarov D8/70

D871,609 S * 12/2019 Isozaki D24/224

D895,777 S * 9/2020 Chase D23/269

D905,270 S * 12/2020 Katsumata D24/224

D924,399 S * 7/2021 Conklin D24/155

2007/0005032 A1 * 1/2007 Shan A61F 5/448
604/342

2007/0027434 A1 * 2/2007 Pedersen A61F 5/441
604/338

2016/0166424 A1 * 6/2016 Hanuka A61F 5/4405
604/335

2017/0007439 A1 * 1/2017 Boksan A61F 5/443

2021/0361465 A1 * 11/2021 Hansen A61F 5/443

2021/0378873 A1 * 12/2021 Marz A61F 13/0253

2022/0008353 A1 * 1/2022 Jung A61F 13/00

OTHER PUBLICATIONS

Elastic Barrier Rings 4mm Thick, first available Nov. 24, 2021, amazon.com, [online], [site visited Feb. 23, 2022], Available from internet URL: https://www.amazon.com/Supplies-Hydrocolloid-colostomy-Universal-Waterproof/dp/B09J911NK2/ref=pd_di_sccai_8/141-0870502-9527540?pd_rd_w%E2%80%A6 (Year: 2021).*

Brava Protective Seal Thin, first available May 5, 2019, amazon.com, [online], [site visited Feb. 23, 2022], Available from internet URL: <https://www.amazon.com/Brava-Protective-Seal-Thin-Starter/dp/B07RJM6SR> (Year: 2019).*

Hollister Adapt CeraRing Convex Barrier, first available Feb. 21, 2022, zxmall.pw/, [online], [site visited Feb. 23, 2022], Available from internet URL: <https://www.zxmall.pw/ProductDetail.aspx?iid=42153044&pr=56.88> (Year: 2022).*

Sur-Fit Natura Disposable Convex Inserts for Retracted Stomas, first available Feb. 15, 2010, allegromedical.com, [online], [site visited Mar. 9, 2022], Available from internet URL: <https://www.allegromedical.com/products/sur-fit-natura-disposable-convex-inserts-for-retracted-stomas/> (Year: 2010).*

Adapt CVX Barrier Rings 1 $\frac{1}{16}$ " (40mm) ID, allegromedical.com, [online], [site visited Mar. 9, 2022], Available from internet URL: <https://premierostomy.com/product/adapt-convex-barrier-rings-1-9-16-40mm-id/> (Year: 2022).*

Bottle Opener Keychain 3-D Hammer, gomedicalonline.com, [online], [site visited Mar. 9, 2022], Available from internet URL: <https://gomedicalonline.com/products/ostomy-barrier-hollister-adapt-convex-barrier-ring-79540> (Year: 2020).*

Trio Ostomy Siltac—Silicone Ostomy 2" Seal, exmed.net, [online], [site visited Mar. 9, 2022], Available from internet URL: <https://www.exmed.net/trio-ostomy-siltac-silicone-ostomy-2-inch-seal> (Year: 2022).*

“Coloplast Brava™ product images, Apr. 2013”.

“Adapt Barrier Rings,” Hollister Incorporated, 2012.

* cited by examiner

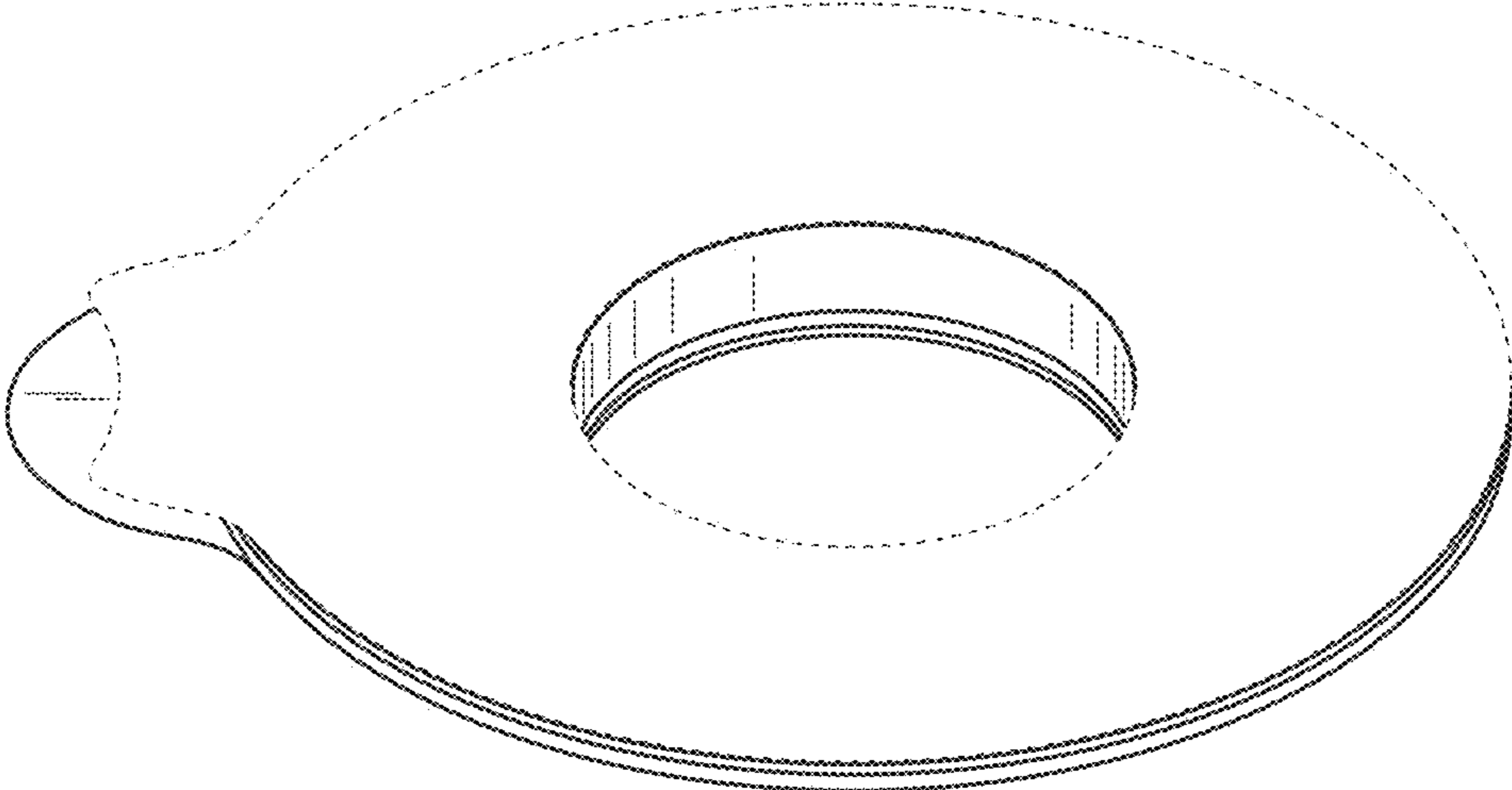


FIG. 1

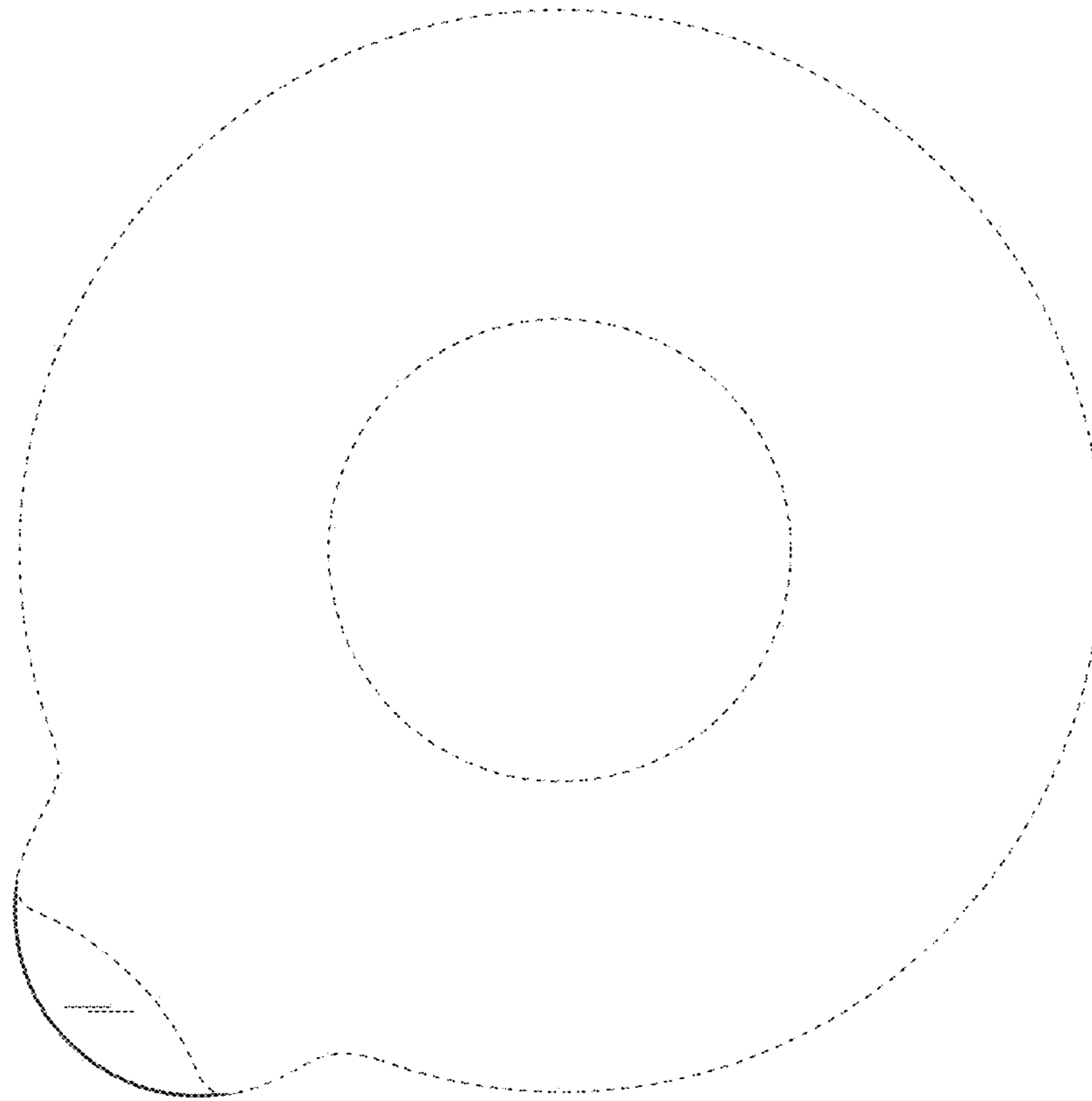


FIG. 2

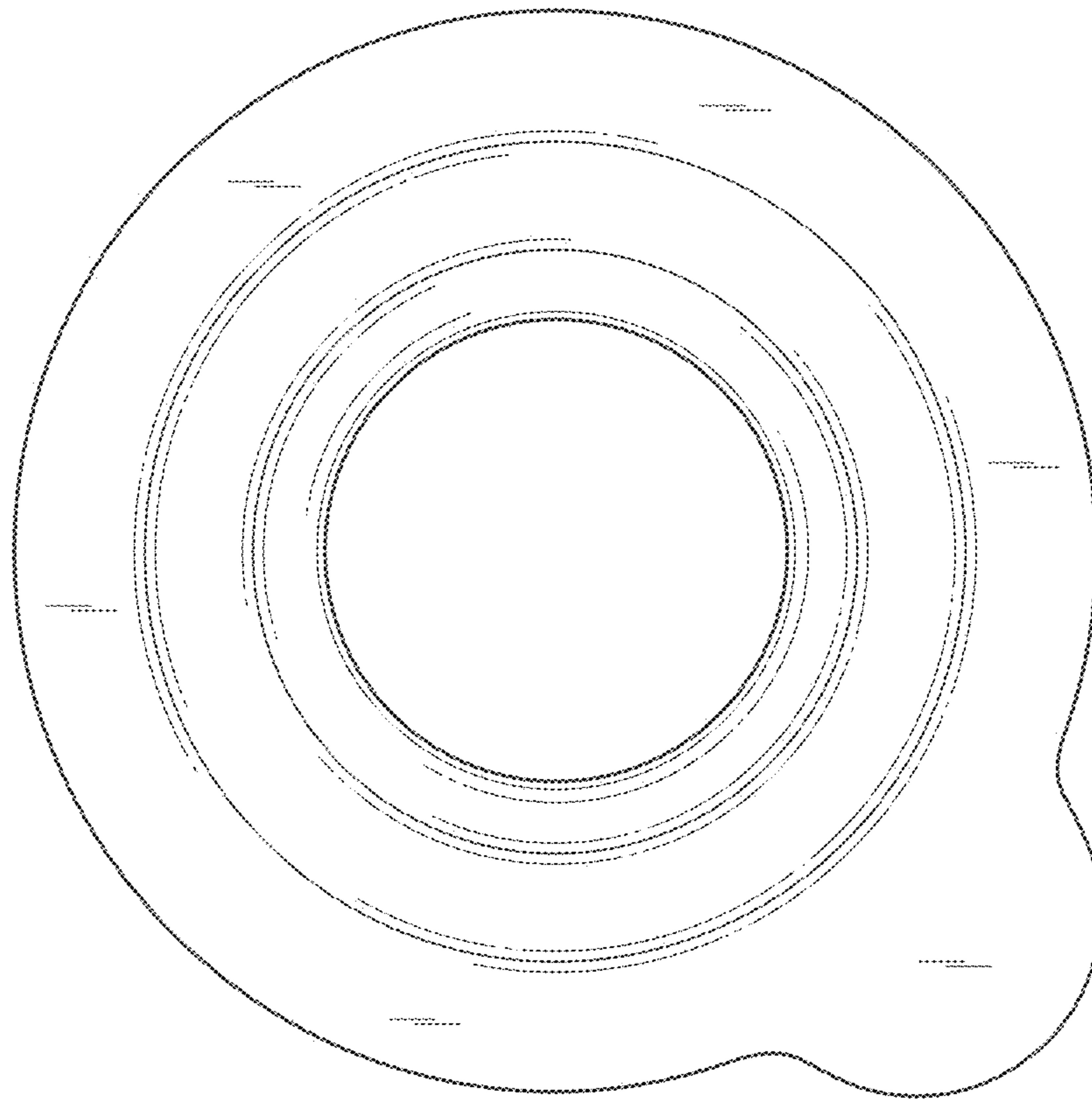


FIG. 3

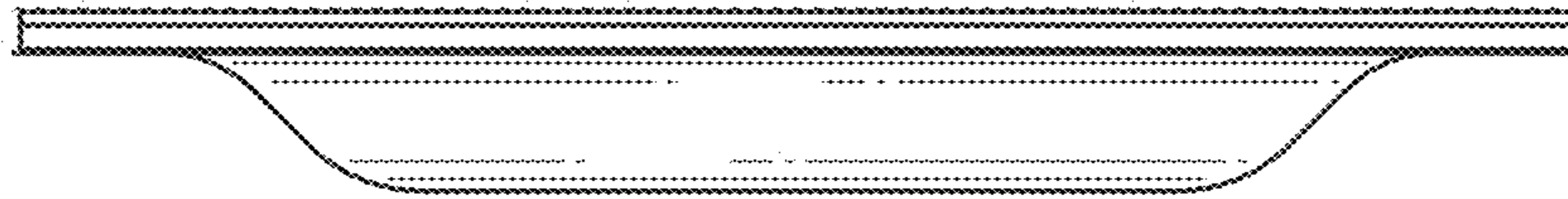


FIG. 4

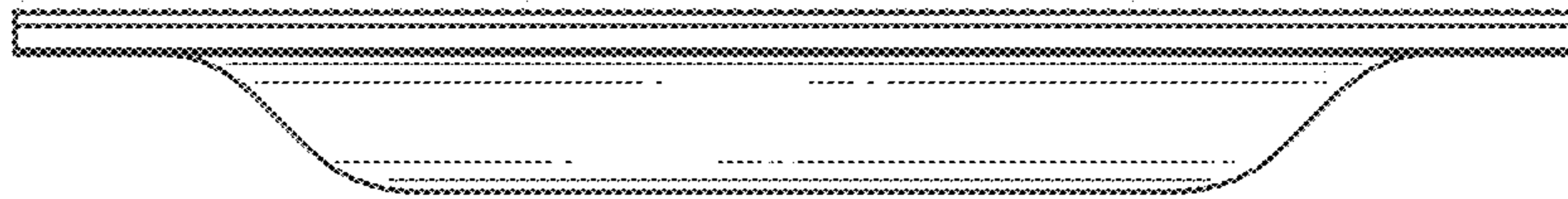


FIG. 5



FIG. 6

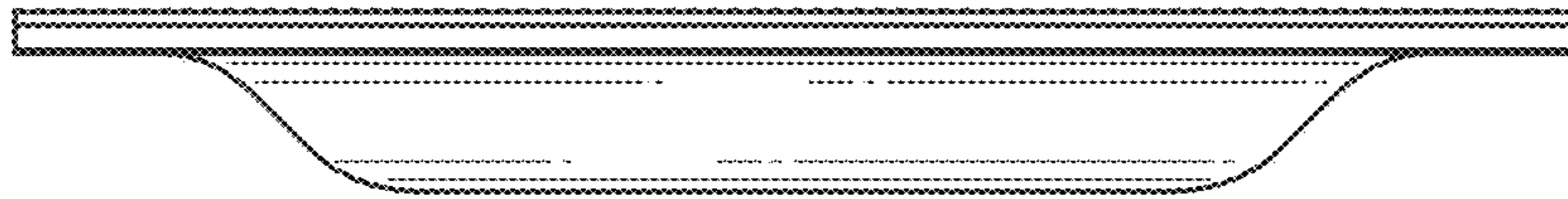


FIG. 7