



US00D957626S

(12) **United States Design Patent**
Hu et al.

(10) **Patent No.:** **US D957,626 S**
(45) **Date of Patent:** **** Jul. 12, 2022**

(54) **COUNTERCURRENT PREVENTION
RECTAL SYRINGE**

(71) Applicants: **Hai-Bo Hu**, Ningbo (CN); **Yong-Gui
Zhang**, Ningbo (CN)

(72) Inventors: **Hai-Bo Hu**, Ningbo (CN); **Yong-Gui
Zhang**, Ningbo (CN)

(73) Assignee: **NINGBO ALBERT NOVOSINO CO.,
LTD.**, Ningbo (CN)

(**) Term: **15 Years**

(21) Appl. No.: **29/672,196**

(22) Filed: **Dec. 4, 2018**

(51) **LOC (13) Cl.** **24-02**

(52) **U.S. Cl.**
USPC **D24/115**

(58) **Field of Classification Search**
USPC D24/108, 110, 111, 112, 115, 119, 121,
D24/122, 123, 130, 133, 141, 152, 186,
D24/215; D28/7, 8; D9/436, 439, 440,
D9/447, 723; D7/667, 669
CPC A61F 9/0008; B65D 47/18; B01L 3/0282
See application file for complete search history.

(56) **References Cited**

U.S. PATENT DOCUMENTS

2,815,754	A *	12/1957	Hoffman	A61M 3/0262 604/215
2,879,768	A *	3/1959	Anderson	A61M 3/0283 604/39
3,228,396	A *	1/1966	Potts	A61M 3/0262 604/212
3,499,444	A *	3/1970	Koutsandreas	A61M 3/0262 604/212
D241,882	S *	10/1976	Gross	D24/115
D250,546	S *	12/1978	Pick	D24/115

4,258,714	A *	3/1981	Leopoldi	A61M 3/0262 604/118
D319,699	S *	9/1991	Dunning	D24/115
5,848,993	A *	12/1998	Tanhehco	A61M 1/0011 604/217
D590,493	S *	4/2009	Harlan	D24/108
D617,444	S *	6/2010	McCauley	D24/108
D627,057	S *	11/2010	Gallo	D24/108
D634,002	S *	3/2011	Laerdal	D24/111
D676,126	S *	2/2013	Hair	D24/108
D702,830	S *	4/2014	Hannah	D24/108
D712,026	S *	8/2014	Cant	D24/115
D712,535	S *	9/2014	Du	D24/115
D729,593	S *	5/2015	Myoung	D7/669
D736,041	S *	8/2015	Orr	D7/667

(Continued)

OTHER PUBLICATIONS

Enema Bulb Kit by Mikacare, publication date Jul. 24, 2018,
[online] URL: <https://www.amazon.com/Large-Enema-Bulb-Kit-Phthalates/dp/B07FV7D4CS> (Year: 2018).*

(Continued)

Primary Examiner — L. A. Grabenstetter
(74) *Attorney, Agent, or Firm* — Georgi Korobanov

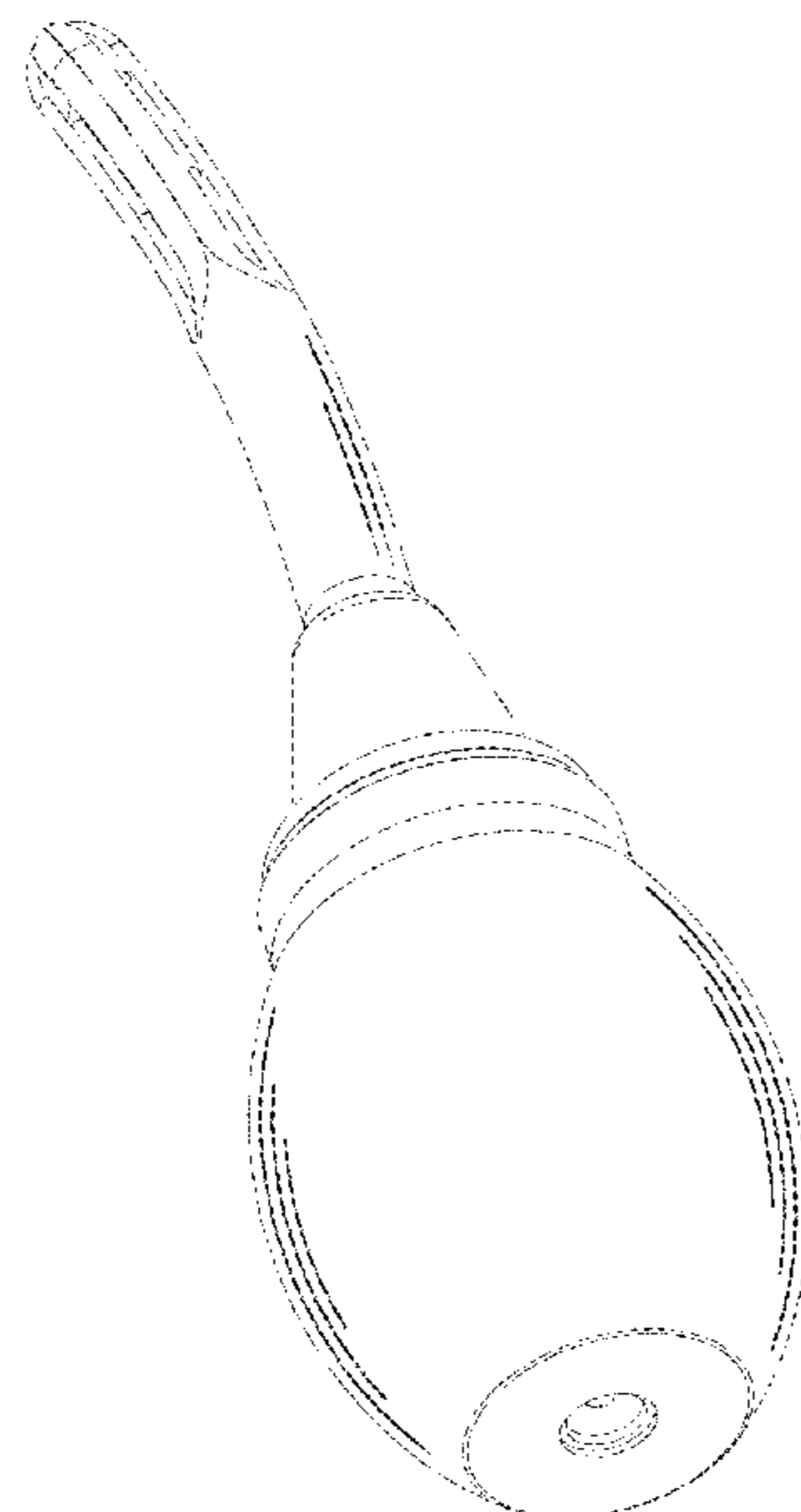
(57) **CLAIM**

The ornamental design for a countercurrent prevention rectal syringe, as shown and described.

DESCRIPTION

FIG. 1 is a perspective view of a countercurrent prevention rectal syringe showing our new design; FIG. 2 is a front elevational view thereof; FIG. 3 is a top plan view thereof; FIG. 4 is a left side elevational view thereof; FIG. 5 is a rear elevational view thereof; FIG. 6 is a right side view thereof; and, FIG. 7 is a bottom plan view thereof.

1 Claim, 7 Drawing Sheets



(56)

References Cited

U.S. PATENT DOCUMENTS

D753,811 S * 4/2016 Karkkainen D24/110
D779,055 S * 2/2017 Mehta D24/115
D848,610 S * 5/2019 Griffin D24/119
D869,651 S * 12/2019 Du D24/115

OTHER PUBLICATIONS

TopQuaFocus Vaginal Douche Anal Cleaning Bulb, publication date Aug. 31, 2020, [online] URL: <https://www.amazon.ca/TopQuaFocus-Enema-Douche-Capacity-4-7inch/dp/B07P54C8HM/> (Year: 2020).*

Hailicare Enema Bulb Kit by Hailitech, publication date Mar. 10, 2021, [online] URL: https://www.alibaba.com/product-detail/Dropshipping-450ml-Anal-Douche-Large-Enema_62015263602.html (Year: 2021).*

* cited by examiner

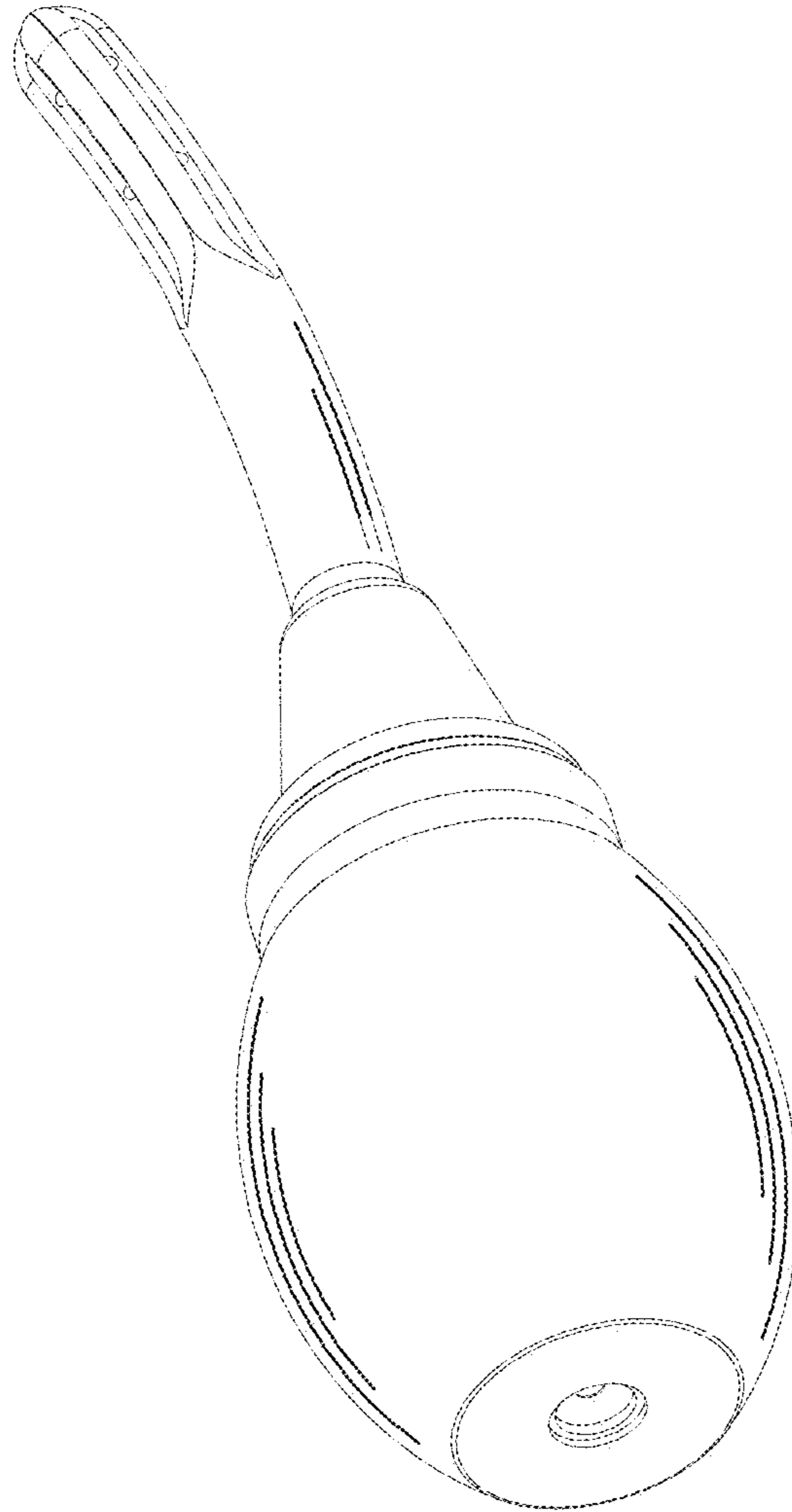


FIG. 1

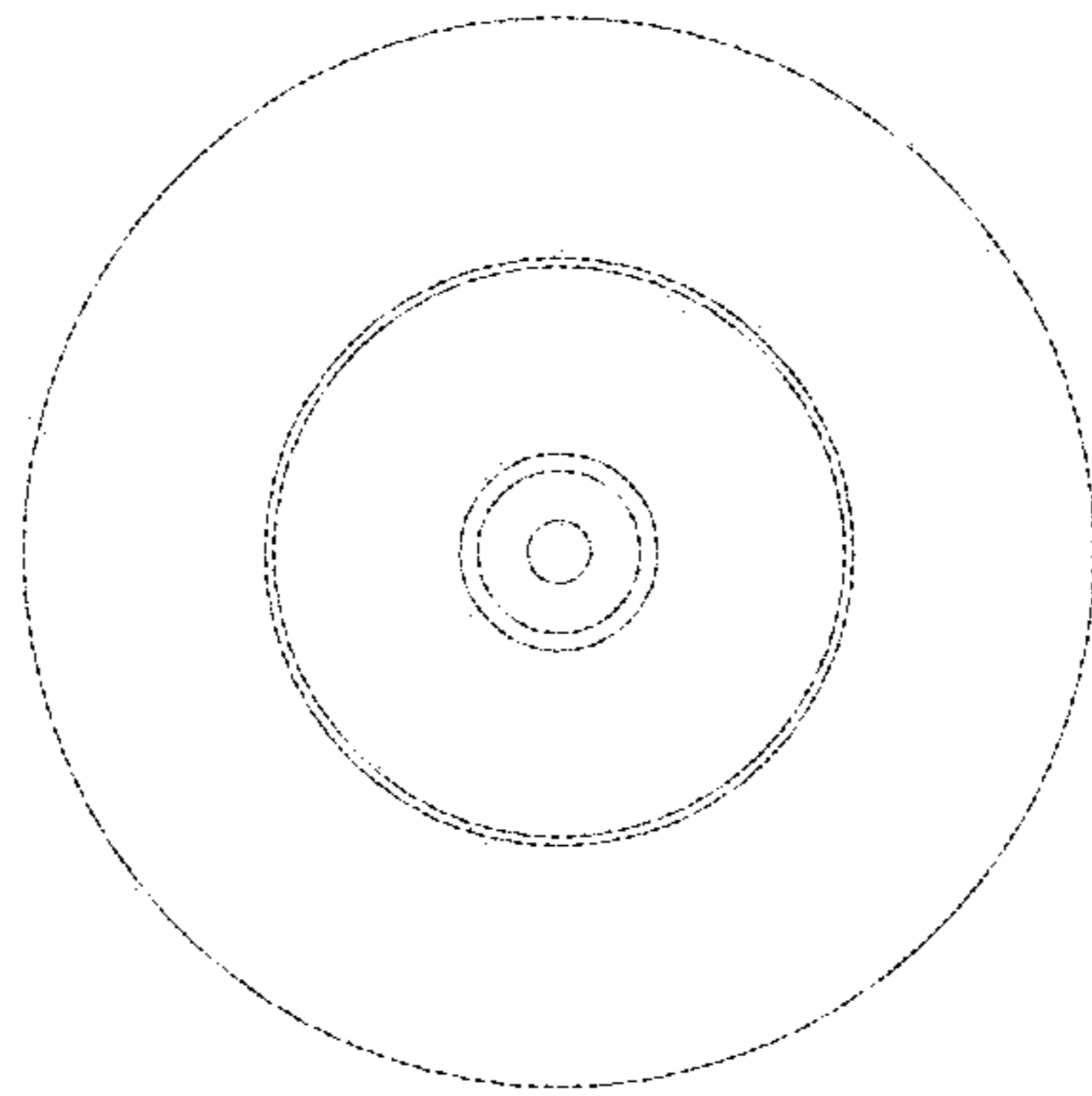


FIG. 2

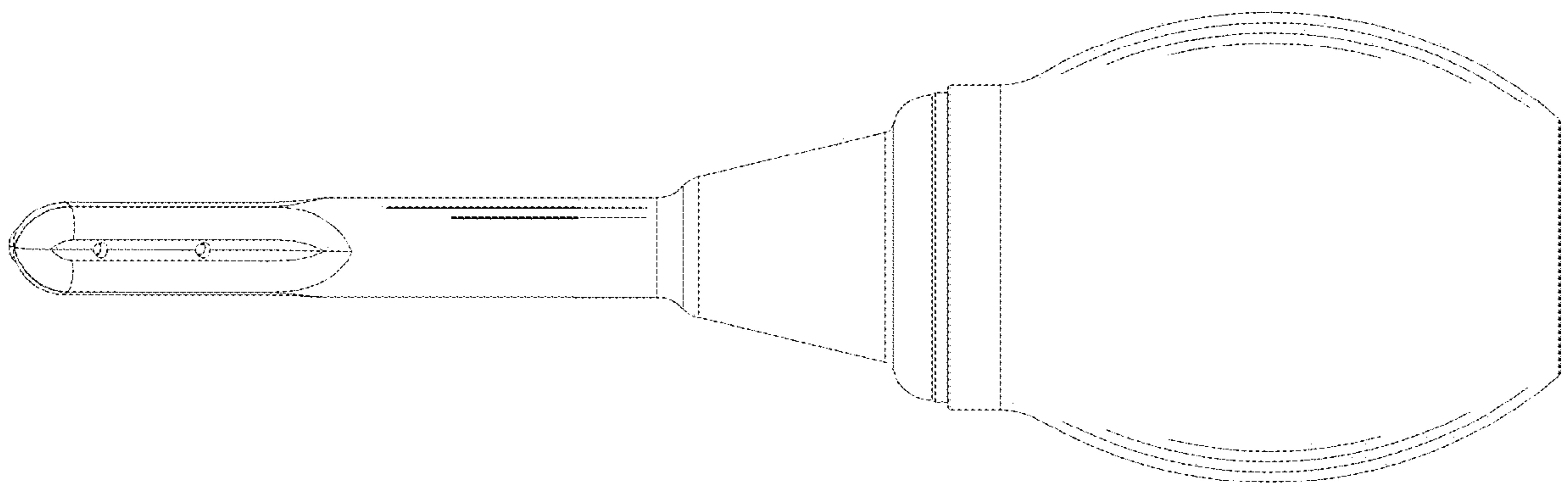


FIG. 3

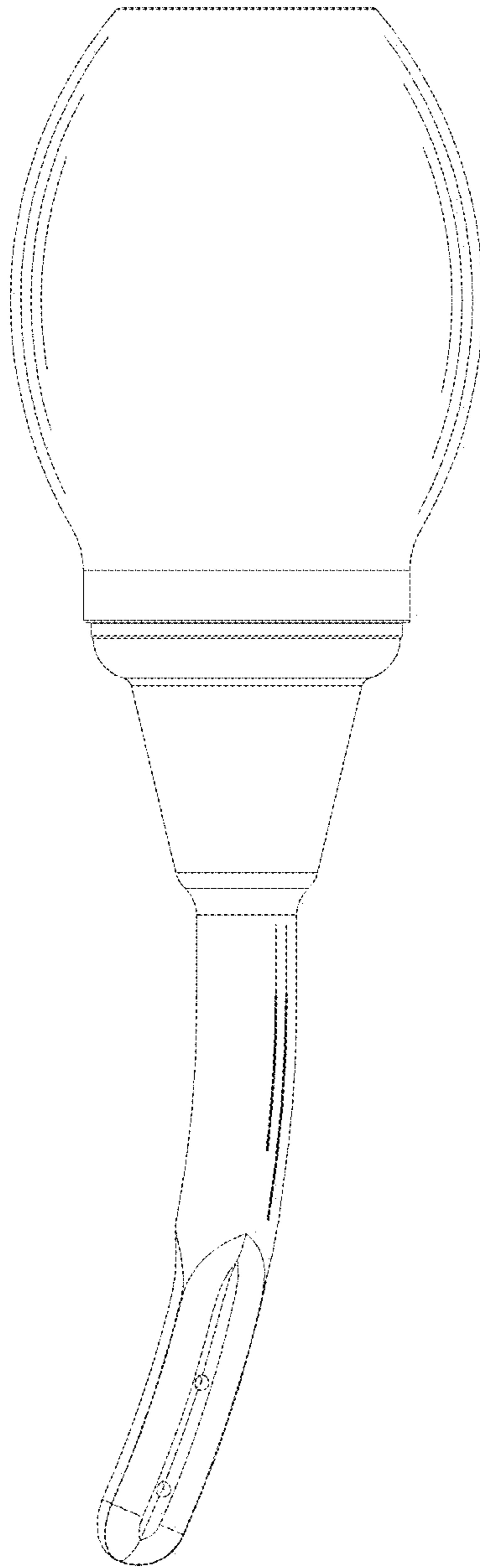


FIG. 4

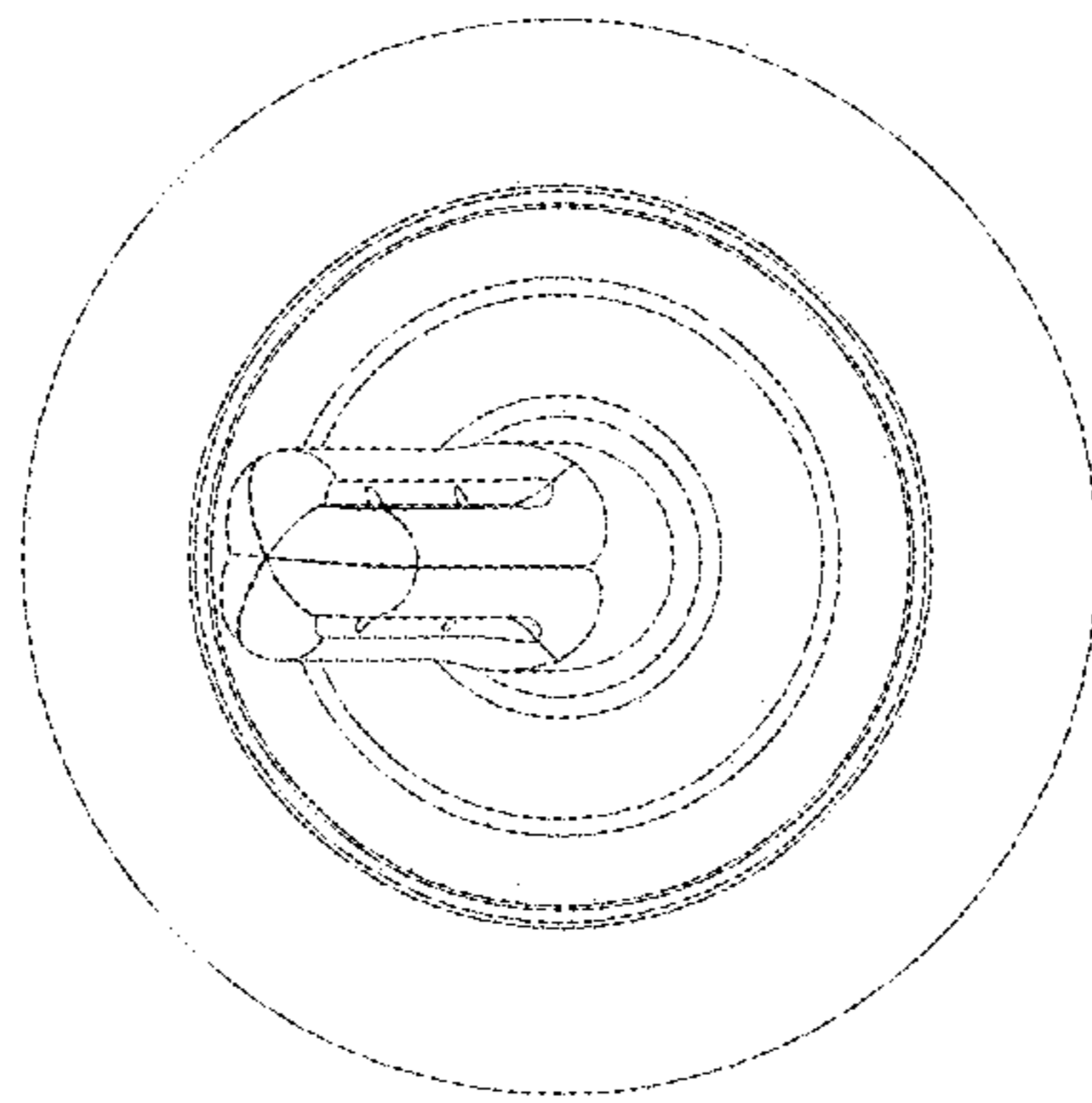


FIG. 5

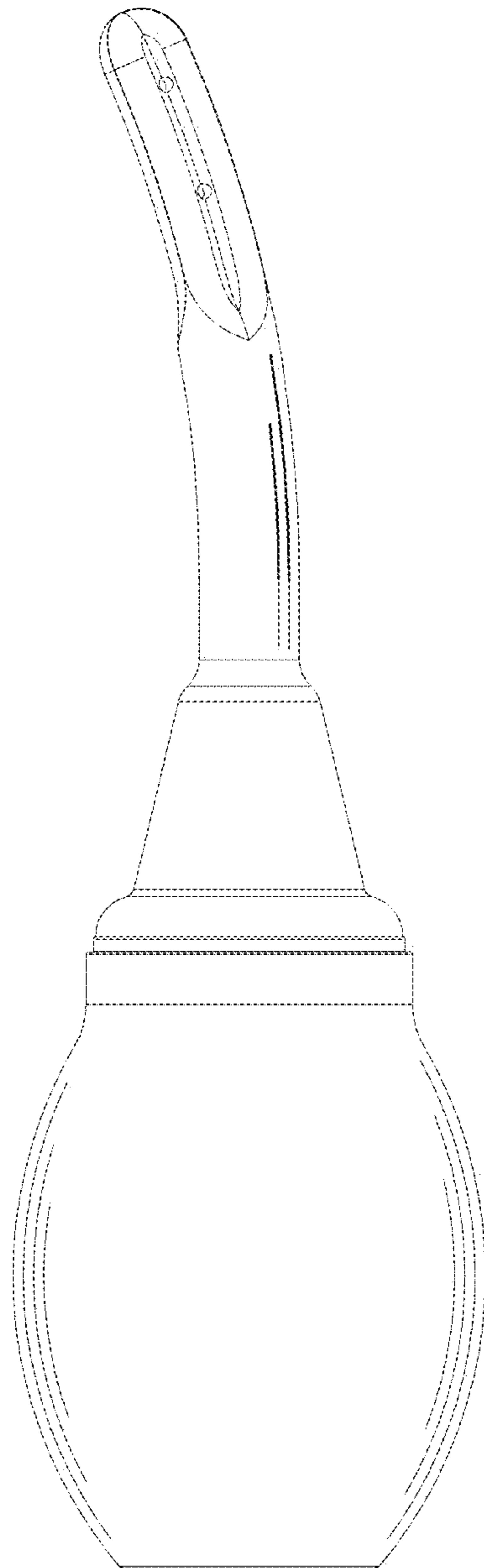


FIG. 6

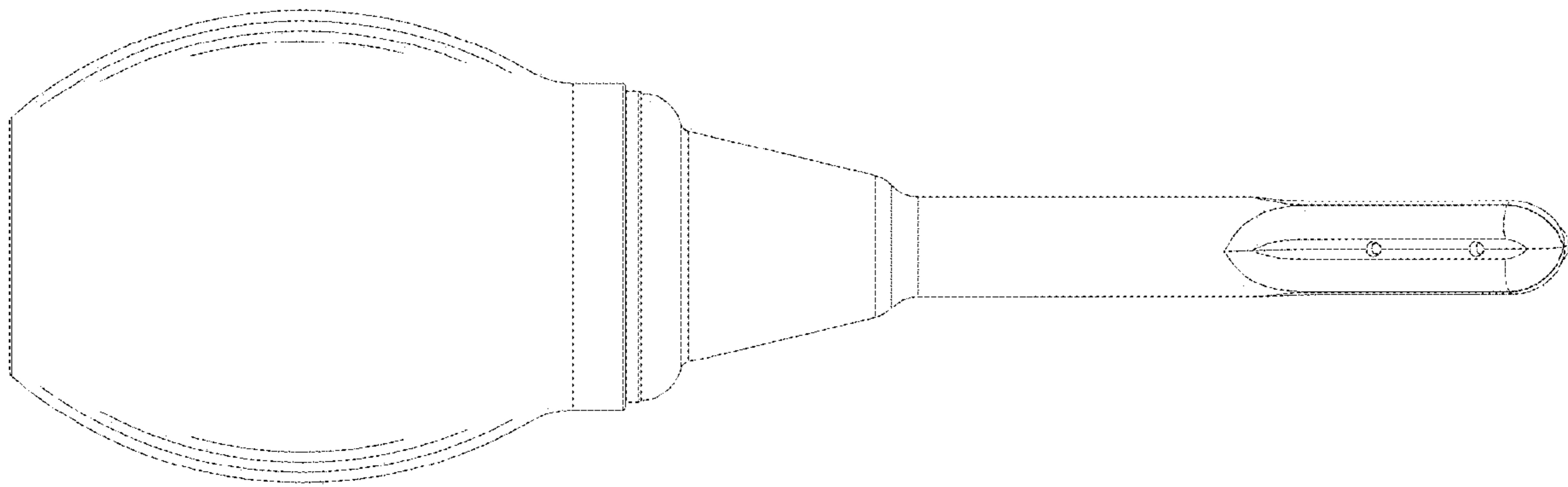


FIG. 7