



US00D957625S

(12) **United States Design Patent**
Reynolds

(10) **Patent No.:** **US D957,625 S**
(45) **Date of Patent:** **** Jul. 12, 2022**

(54) **SYRINGE**
(71) Applicant: **Susan Reynolds**, St. Paul, MN (US)
(72) Inventor: **Susan Reynolds**, St. Paul, MN (US)
(73) Assignee: **Susan Reynolds**, St. Paul, MN (US)
(**) Term: **15 Years**

(21) Appl. No.: **29/733,079**

(22) Filed: **Apr. 29, 2020**

(51) **LOC (13) Cl.** **24-02**

(52) **U.S. Cl.**
USPC **D24/114**

(58) **Field of Classification Search**
USPC D24/104, 107, 112-114, 127, 130, 133,
D24/186; 604/181, 184, 187, 227, 264,
604/272; 606/181, 185
CPC A61M 5/31596; A61M 2005/1787; A61M
2005/31508; A61M 5/31511; A61M
2005/3121; A61M 2005/31598; A61M
2005/3123
See application file for complete search history.

(56) **References Cited**

U.S. PATENT DOCUMENTS

D300,349 S * 3/1989 Ennis, III D23/231
4,813,928 A 3/1989 Abe et al.
D310,575 S * 9/1990 Leopoldi D24/114
D319,879 S * 9/1991 Wachob D24/108
D338,957 S 8/1993 de Faire et al.
5,282,792 A 2/1994 Imbert
5,334,151 A 8/1994 Santilli
5,338,309 A 8/1994 Imbert
5,395,345 A 3/1995 Gross
5,405,326 A 4/1995 Haber et al.
5,429,599 A * 7/1995 Heinke A61D 7/00
604/192
D368,838 S * 4/1996 Paklaian D24/114
5,514,107 A 5/1996 Haber et al.

D372,310 S 7/1996 Hartnett
5,554,127 A 9/1996 Crouther et al.
D403,761 S * 1/1999 Adams D24/112
5,876,382 A 3/1999 Erickson
D412,206 S * 7/1999 Basile D24/130
D436,661 S * 1/2001 Berry D24/114
D448,475 S * 9/2001 Jansen D24/110
D459,803 S * 7/2002 Swenson D24/108
6,432,087 B1 8/2002 Hoeck et al.
6,432,088 B1 8/2002 Huang et al.
D463,546 S * 9/2002 Jansen D24/110
6,689,106 B2 2/2004 Bush, Jr.
D489,819 S * 5/2004 Ford D24/112
D503,613 S * 4/2005 Yang D9/724

(Continued)

FOREIGN PATENT DOCUMENTS

GB 2063581 * 6/1997

Primary Examiner — Jonathan J Han

Assistant Examiner — Amanda J Berlinski

(74) *Attorney, Agent, or Firm* — Seager, Tufte & Wickhem LLP.

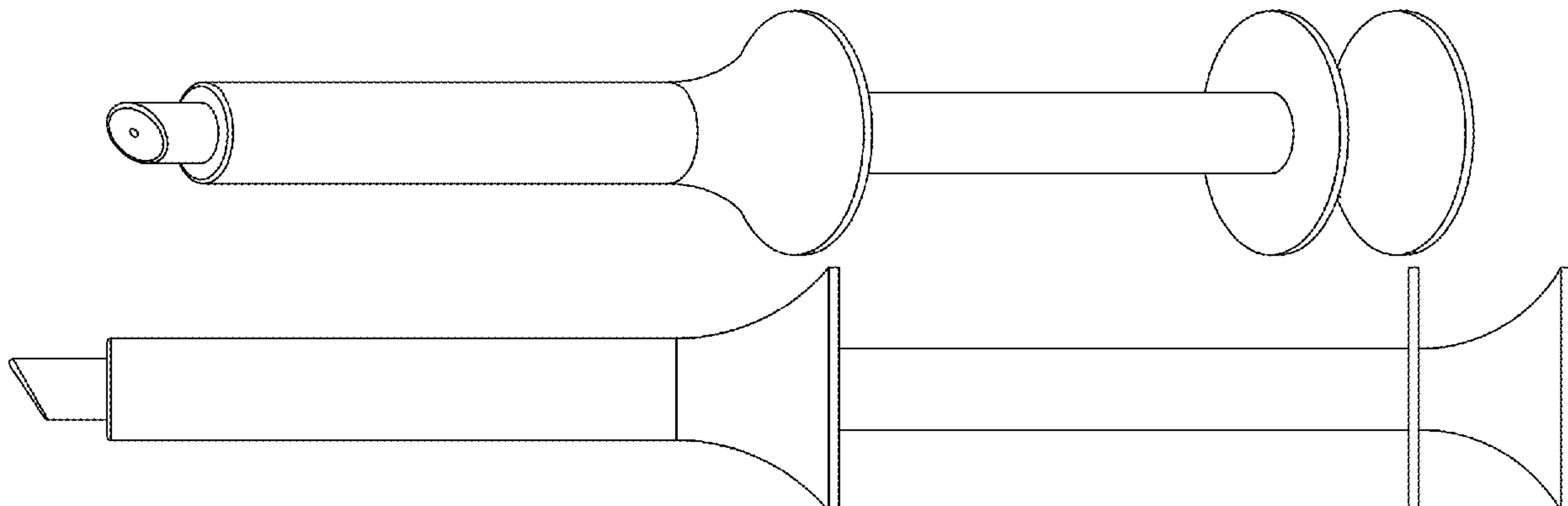
(57) **CLAIM**

The ornamental design for a syringe, as shown and described.

DESCRIPTION

FIG. 1 is a top perspective view of a syringe;
FIG. 2 is a bottom perspective view of the syringe of FIG. 1;
FIG. 3 is a front view of the syringe of FIG. 1;
FIG. 4 is a left side view of the syringe of FIG.1, the right side view being a mirror image thereof;
FIG. 5 is a rear view of the syringe of FIG. 1;
FIG. 6 is a top view of the syringe of FIG. 1;
FIG. 7 is a bottom view of the syringe of FIG. 1; and,
FIG. 8 is an enlarged cross-sectional view of the syringe of FIG. 1 taken at line 8-8 of FIG. 5.

1 Claim, 6 Drawing Sheets



(56)

References Cited

U.S. PATENT DOCUMENTS

D543,278 S 5/2007 Numata et al.
 D543,279 S 5/2007 Numata et al.
 D545,429 S 6/2007 Hays
 D556,320 S * 11/2007 Boclet D24/114
 D574,954 S * 8/2008 Smith D24/114
 D609,333 S * 2/2010 Holmes D24/114
 D618,347 S * 6/2010 Bradshaw D24/141
 8,034,034 B2 10/2011 Hess et al.
 D673,677 S * 1/2013 Noda D24/141
 D674,086 S 1/2013 Khalaj
 D675,540 S * 2/2013 Montminy D9/724
 D681,808 S * 5/2013 Holaschke D24/114
 D692,308 S * 10/2013 Baker D9/600
 D699,342 S * 2/2014 Suzuki D24/114
 8,876,764 B2 11/2014 Tsals et al.
 D726,305 S * 4/2015 Furukawa D24/114
 D733,870 S * 7/2015 Broyles D24/114
 D739,524 S 9/2015 Zemel et al.
 D750,225 S * 2/2016 Rabe D24/119
 9,345,866 B2 * 5/2016 Kubo A61M 5/3158
 D792,969 S 7/2017 Taylor
 D804,651 S 12/2017 Loonan
 9,849,248 B2 * 12/2017 Young A61M 5/31511
 9,950,124 B2 * 4/2018 Imai A61M 5/31501
 10,004,315 B2 * 6/2018 Jung B65D 83/0033
 D823,460 S * 7/2018 Raghuveer D24/114
 D830,541 S * 10/2018 Walker D24/114
 D830,543 S * 10/2018 Walker D24/114
 10,086,144 B2 * 10/2018 Flick A61M 5/3148
 D834,182 S 11/2018 Reynolds et al.
 D836,772 S * 12/2018 Nandi D24/114
 D851,757 S * 6/2019 Nandi D24/114

D877,894 S * 3/2020 Ho D24/112
 D878,569 S 3/2020 Reynolds et al.
 D886,987 S * 6/2020 Kaye D24/114
 D909,570 S * 2/2021 Ahmad D24/114
 D909,571 S * 2/2021 Futami D24/114
 D913,488 S * 3/2021 Ransome A61M 5/3137
 D923,776 S * 6/2021 Hartman A61M 5/3148
 D925,731 S * 7/2021 Ferrier B65D 83/0033
 D926,970 S * 8/2021 Coats A61M 5/31501
 D933,491 S * 10/2021 Chen D9/723
 D936,219 S * 11/2021 Reynolds D24/130
 2002/0151851 A1 10/2002 Fu
 2003/0055383 A1 3/2003 Bush, Jr.
 2003/0065290 A1 4/2003 Shyu
 2003/0199816 A1 10/2003 Rammung
 2004/0006313 A1 1/2004 Chian
 2005/0228345 A1 10/2005 Yang et al.
 2007/0005014 A1 1/2007 Lin et al.
 2007/0055203 A1 3/2007 Miller
 2008/0114307 A1 5/2008 Smith et al.
 2008/0262435 A1 10/2008 Erickson et al.
 2012/0226239 A1 9/2012 Green
 2013/0204165 A1 8/2013 Perry et al.
 2013/0261564 A1 10/2013 Wong
 2015/0057608 A1 2/2015 Hitscherich, Jr. et al.
 2016/0259913 A1 9/2016 Yu et al.
 2017/0281924 A1 * 10/2017 Noda A61F 2/0063
 2017/0312455 A1 11/2017 Mirov et al.
 2020/0254184 A1 * 8/2020 Ozawa A61M 5/315

* cited by examiner

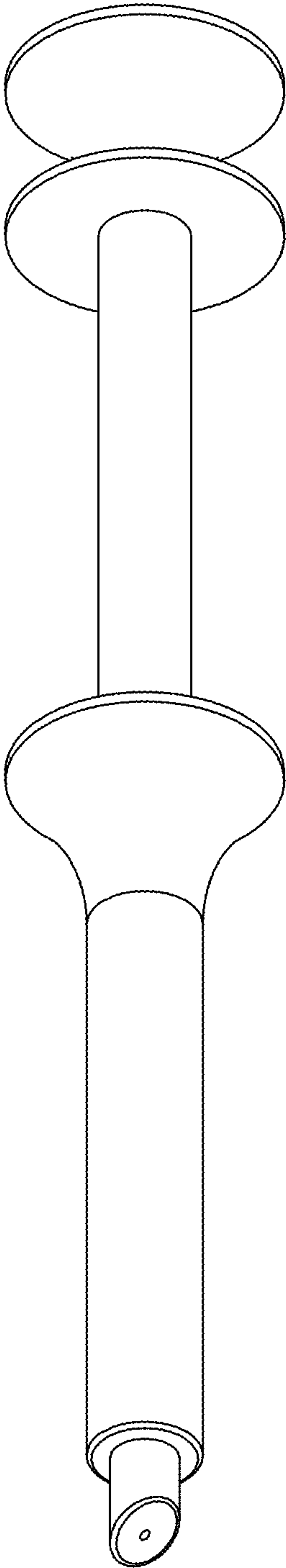


FIG. 1

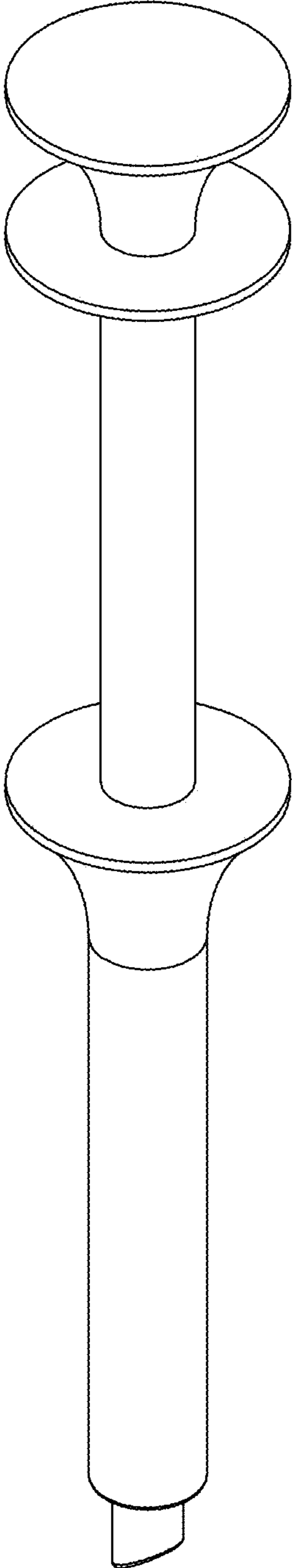


FIG. 2

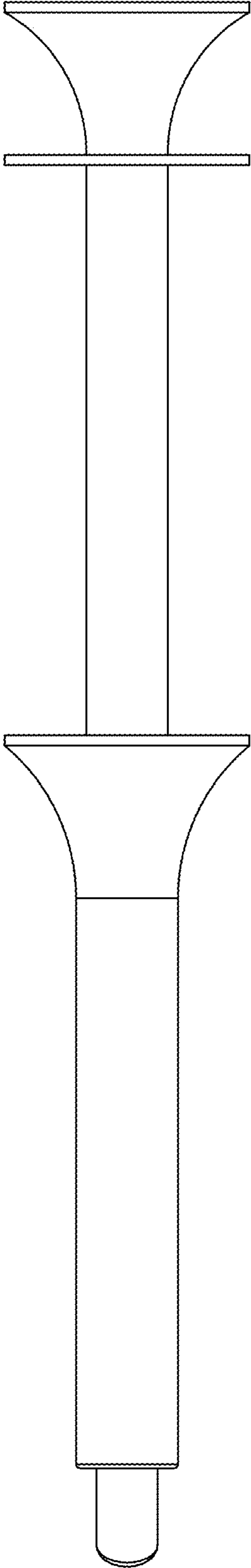


FIG. 3

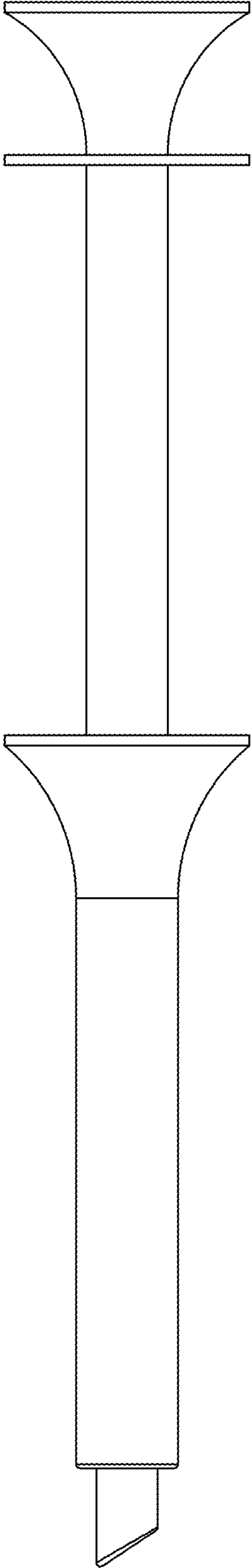


FIG. 4

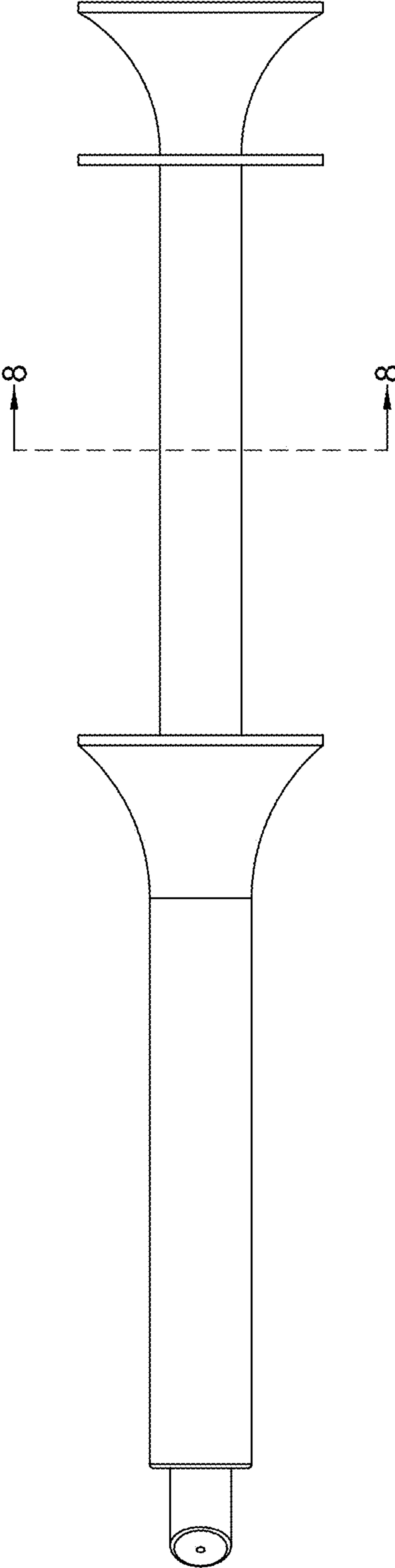


FIG. 5

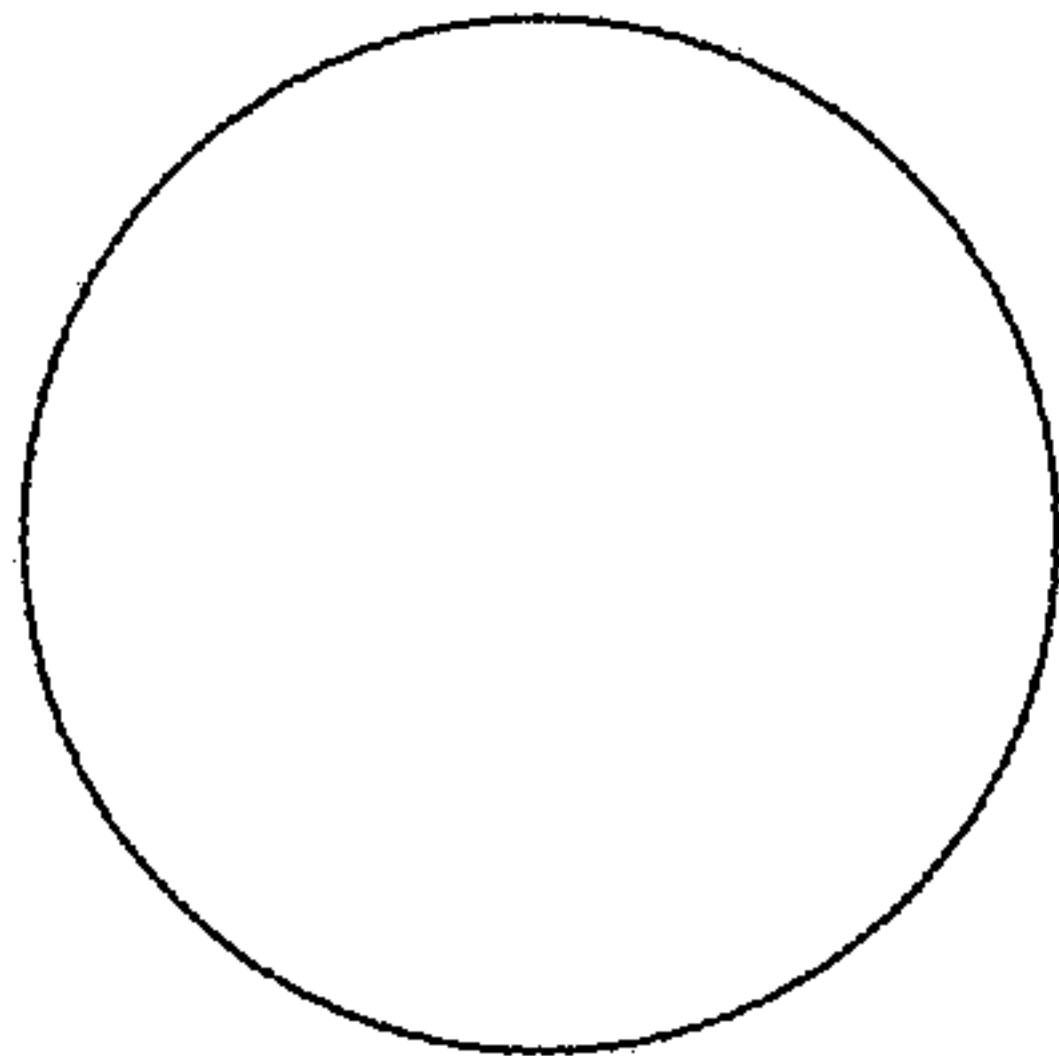


FIG. 7

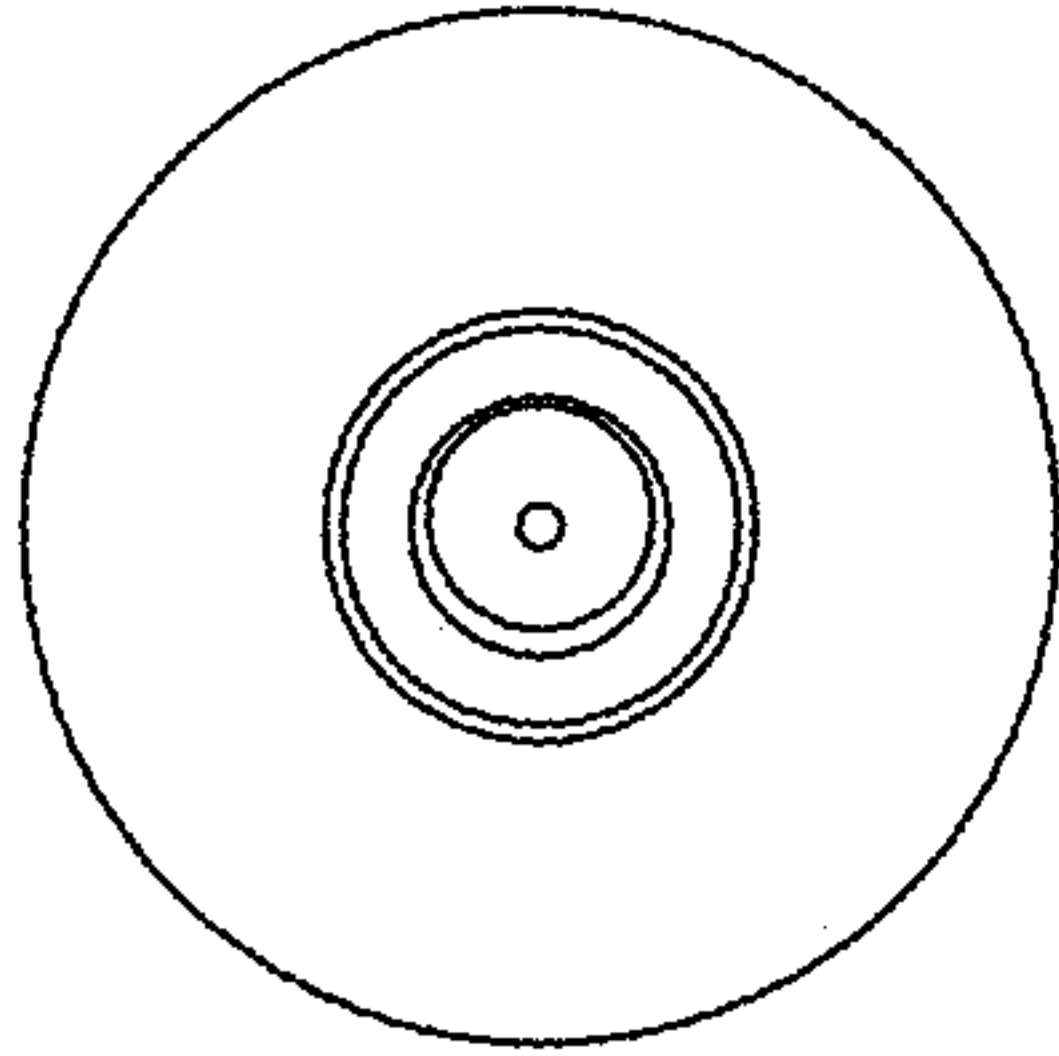


FIG. 6

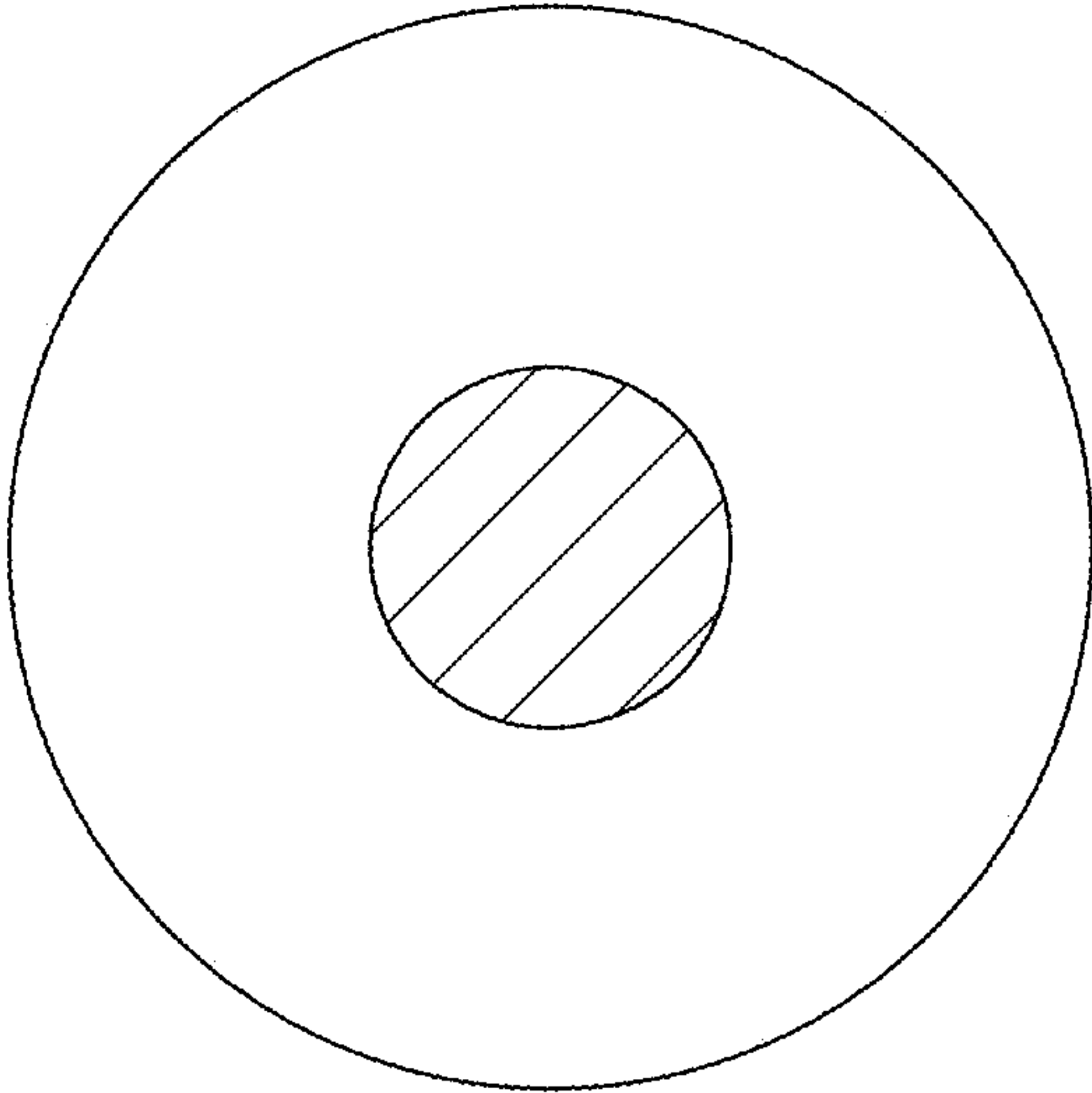


FIG. 8