



US00D957624S

(12) **United States Design Patent** (10) **Patent No.:** **US D957,624 S**
Painchaud et al. (45) **Date of Patent:** **** Jul. 12, 2022**

(54) **AUTOINJECTOR**

(71) Applicant: **Emergent Product Development Gaithersburg Inc.**, Gaithersburg, MD (US)

(72) Inventors: **Gaëtan Painchaud**, Francheville (FR); **Marc Todesco**, Tignieu-Jameyzieu (FR)

(73) Assignee: **Emergent Product Development Gaithersburg Inc.**, Gaithersburg, MD (US)

(**) Term: **15 Years**

(21) Appl. No.: **29/749,693**

(22) Filed: **Sep. 8, 2020**

(51) **LOC (13) Cl.** **24-02**

(52) **U.S. Cl.**
USPC **D24/113**

(58) **Field of Classification Search**
USPC D24/112–114, 133, 186, 127–131, 144;
D19/115–123, 177, 193
CPC A61M 5/3156; A61M 5/31591; A61M
5/3155; A61M 5/3157; A61M 5/24;
A61M 5/31501; A61M 5/31551; A61M
5/31585
See application file for complete search history.

(56) **References Cited**

U.S. PATENT DOCUMENTS

D613,861 S	*	4/2010	Hunter	D24/130
D696,772 S	*	12/2013	Schneider	D24/113
D718,441 S	*	11/2014	Carus	D24/133
D748,244 S	*	1/2016	Petersen	D24/113
D831,822 S	*	10/2018	Guillermo	D24/112
D890,332 S	*	7/2020	Guillermo	D24/113

(Continued)

FOREIGN PATENT DOCUMENTS

EM	008451603-0001	*	3/2021
GB	6122871	*	3/2021

OTHER PUBLICATIONS

“Nemera Safelia autoinjector wins Pharmapack award,” manufacturingchemist.com, [Feb. 3, 2017], [Site seen Feb. 15, 2022], Seen at URL: https://www.manufacturingchemist.com/news/article_page/Nemera_Safelia_autoinjector_wins_Pharmapack_award/125546 (Year: 2017).*

Primary Examiner — Natasha Vujcic

Assistant Examiner — Gilbert B Ford

(74) *Attorney, Agent, or Firm* — Medier Ferro Woodhouse & Mills PLLC

(57) **CLAIM**

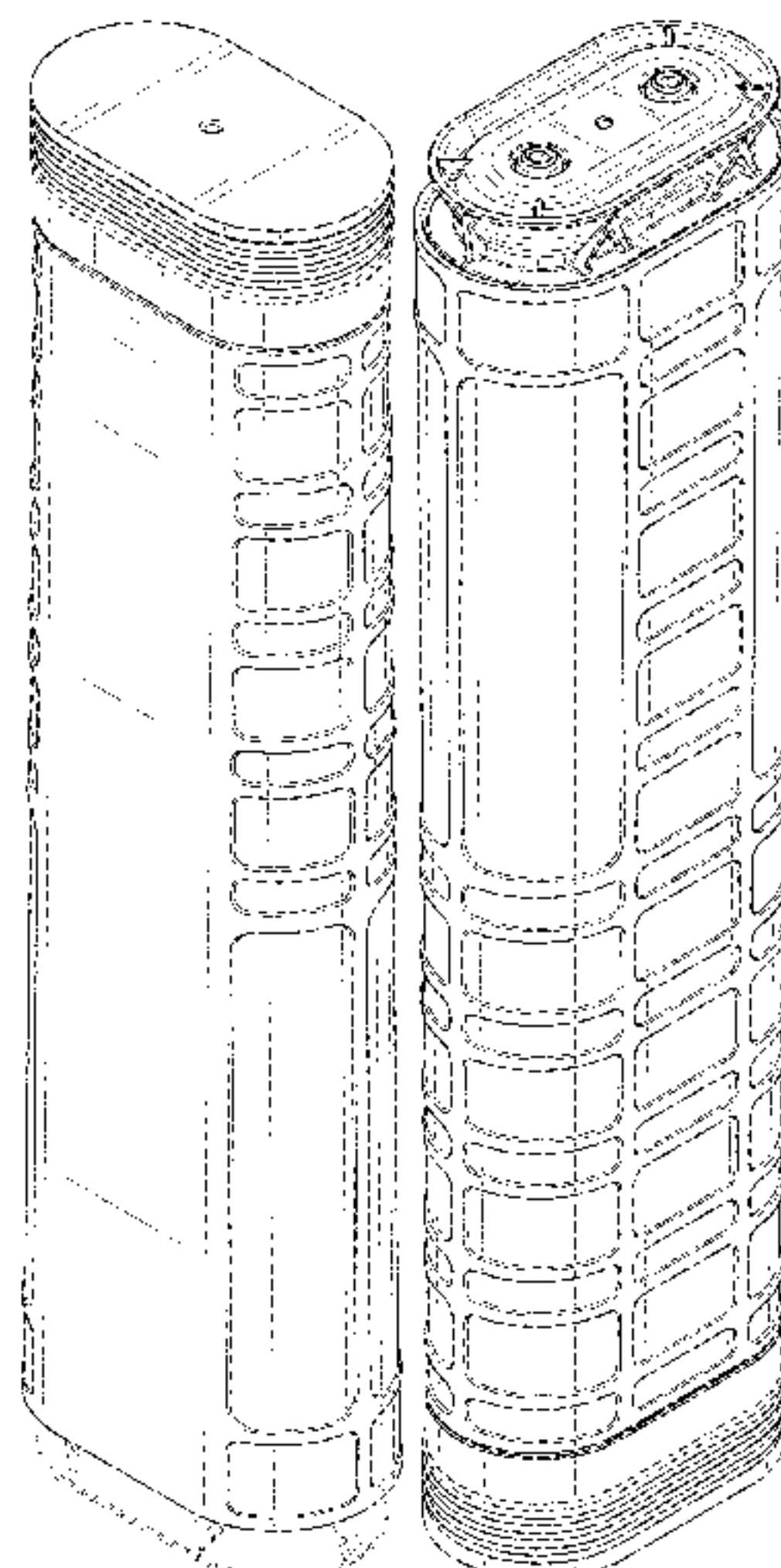
We claim, the ornamental design for an autoinjector, as shown and described.

DESCRIPTION

FIG. 1 is a top front perspective view of a first embodiment for an autoinjector showing the claimed design; FIG. 2 is a bottom rear perspective view thereof; FIG. 3 is a front view thereof; FIG. 4 is a rear view thereof; FIG. 5 is a left side view thereof; FIG. 6 is a right side view thereof; FIG. 7 is a top view thereof; FIG. 8 is a bottom view thereof; FIG. 9 is a top front perspective view of a second embodiment for an autoinjector showing the claimed design; FIG. 10 is a bottom rear perspective view thereof; FIG. 11 is a front view thereof; FIG. 12 is a rear view thereof; FIG. 13 is a left side view thereof; FIG. 14 is a right side view thereof; FIG. 15 is a top view thereof; and, FIG. 16 is a bottom view thereof.

The broken lines in the figures show portions of the autoinjector that form no part of the claimed design.

1 Claim, 16 Drawing Sheets



(56)

References Cited

U.S. PATENT DOCUMENTS

D902,392 S * 11/2020 Scrimgeour D24/113
D922,566 S * 6/2021 Ono D24/112
11,065,392 B1 * 7/2021 Hoffer A61M 5/3202

* cited by examiner

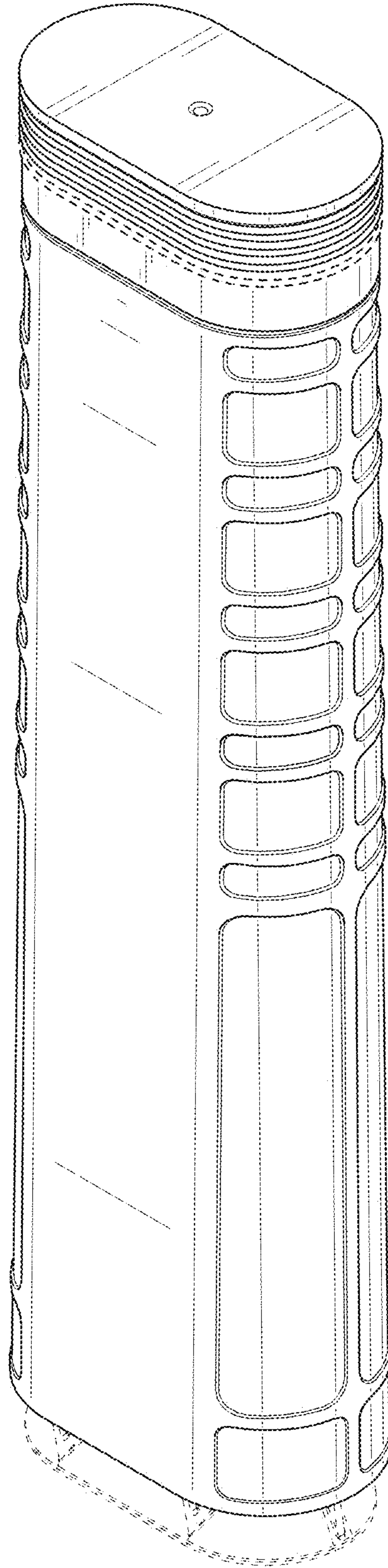


FIG. 1

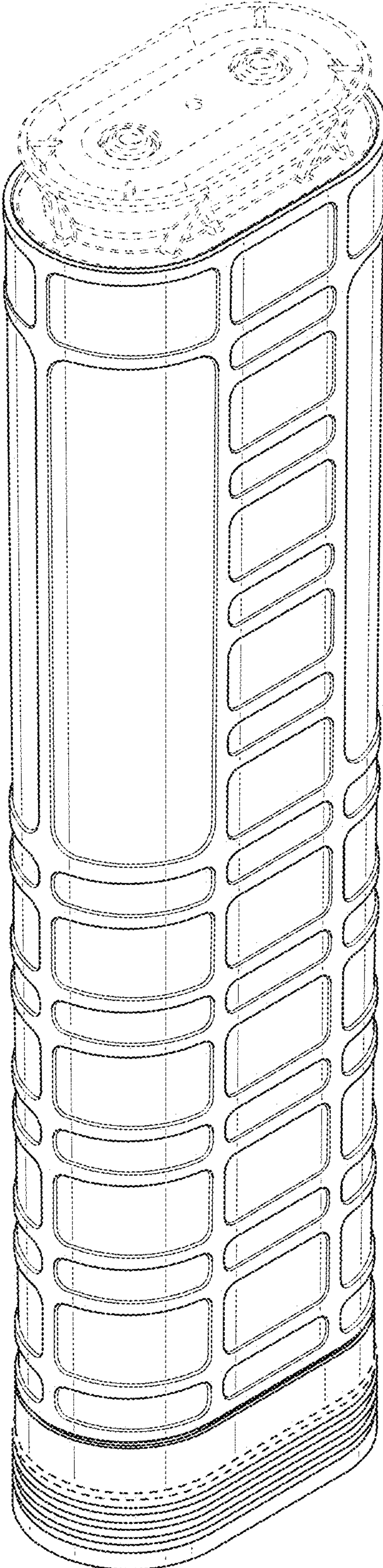


FIG. 2

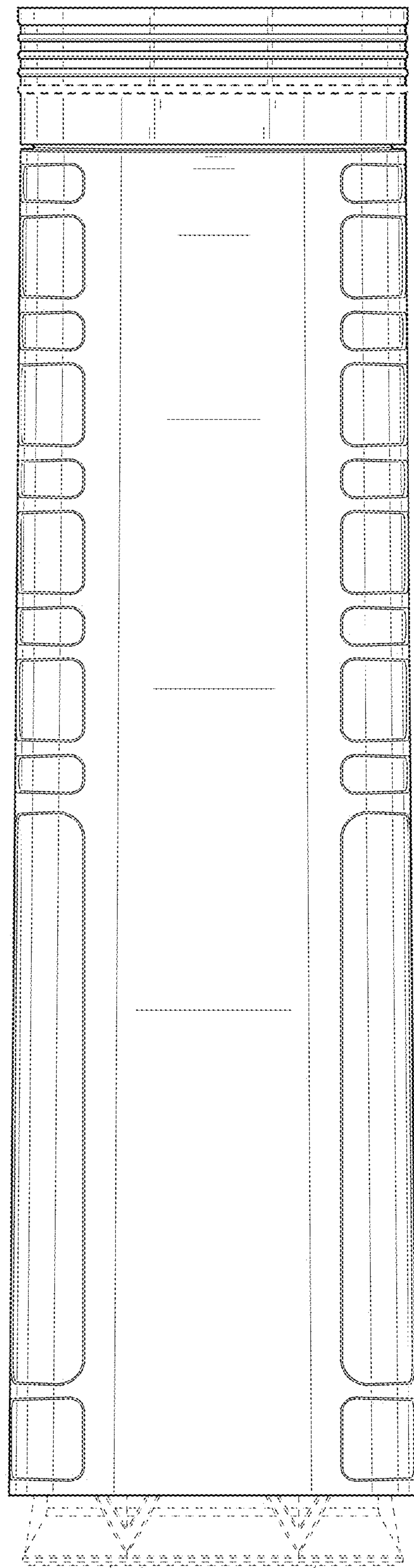


FIG. 3

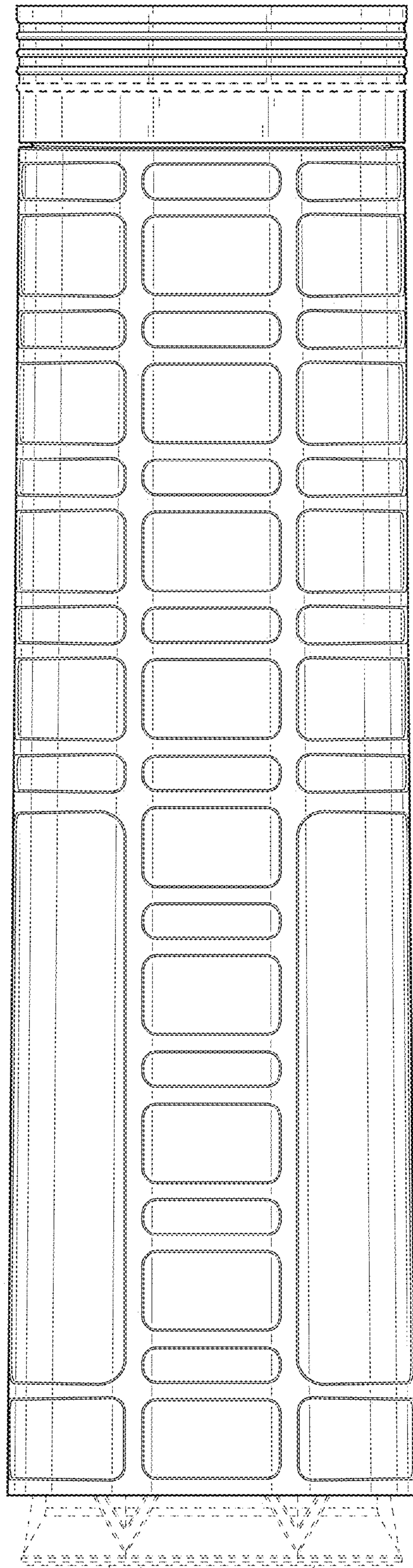


FIG. 4

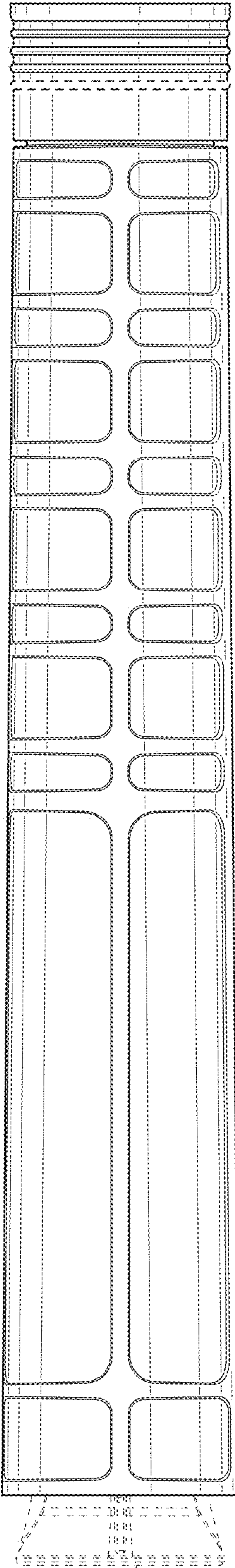


FIG. 5

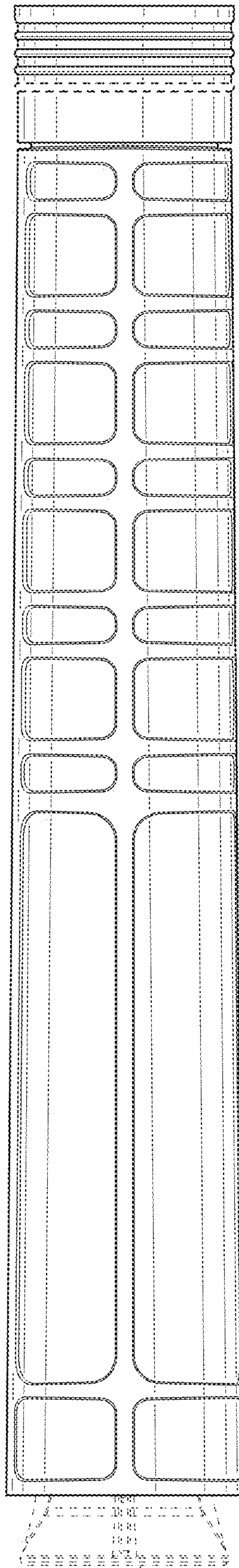


FIG. 6

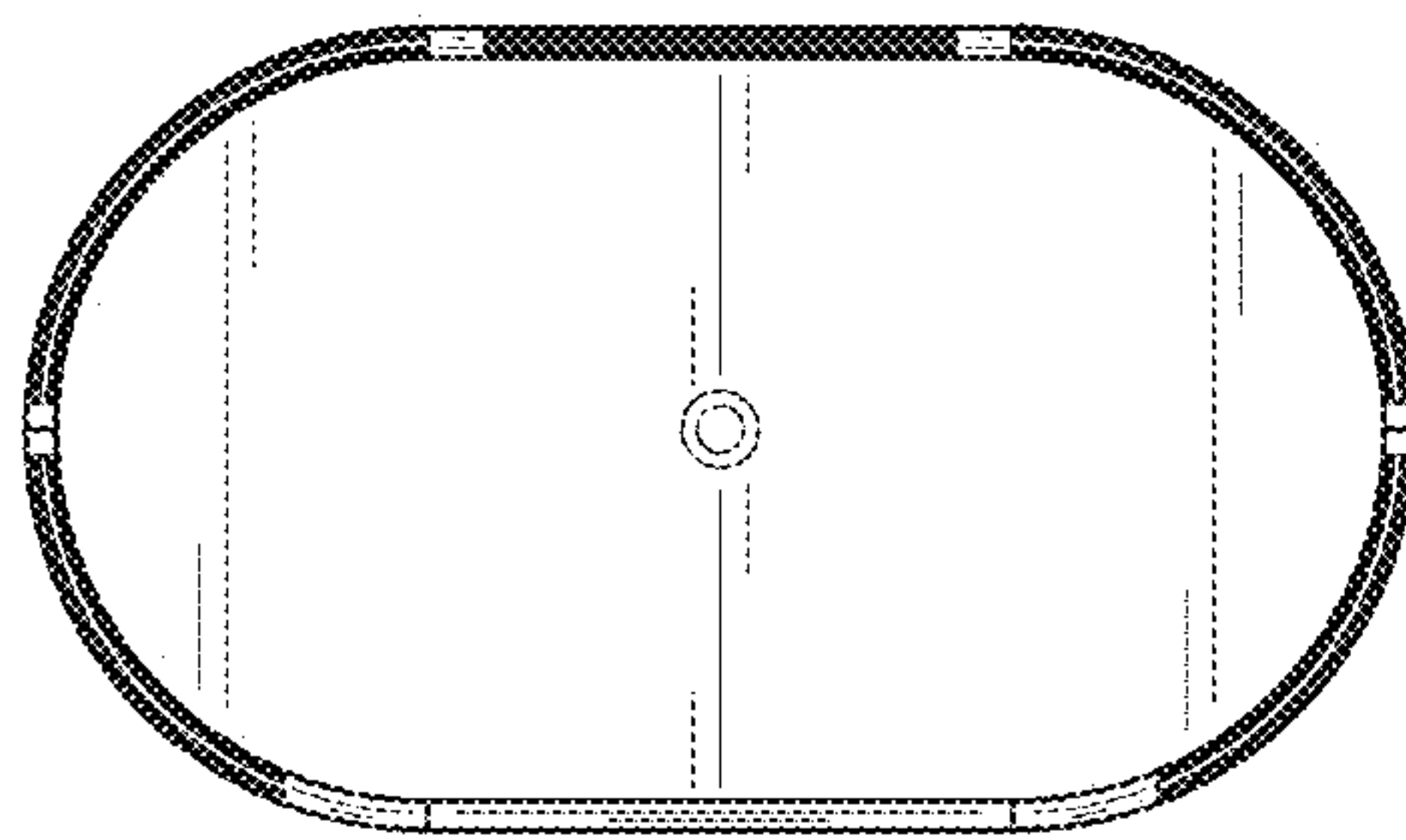


FIG. 7

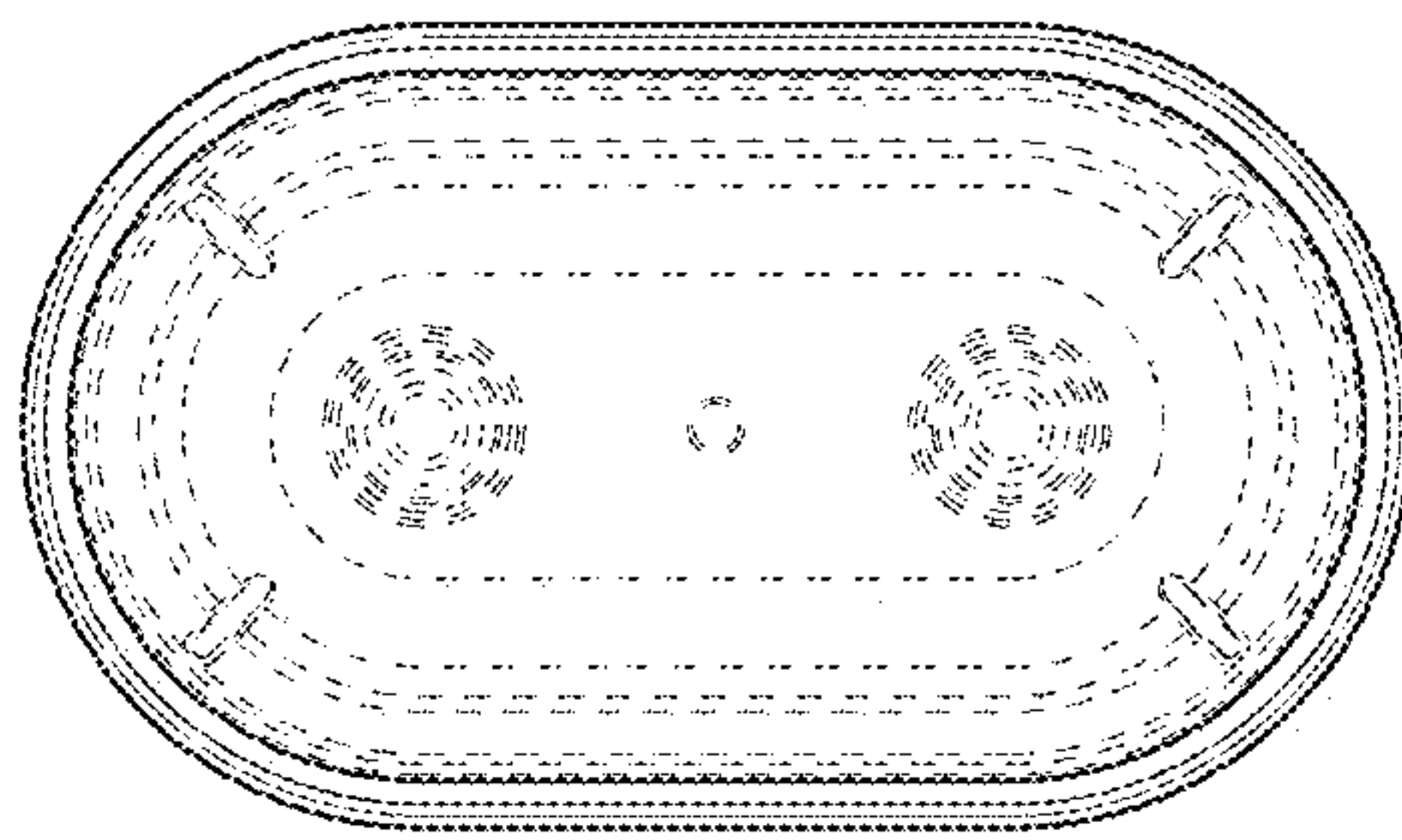


FIG. 8

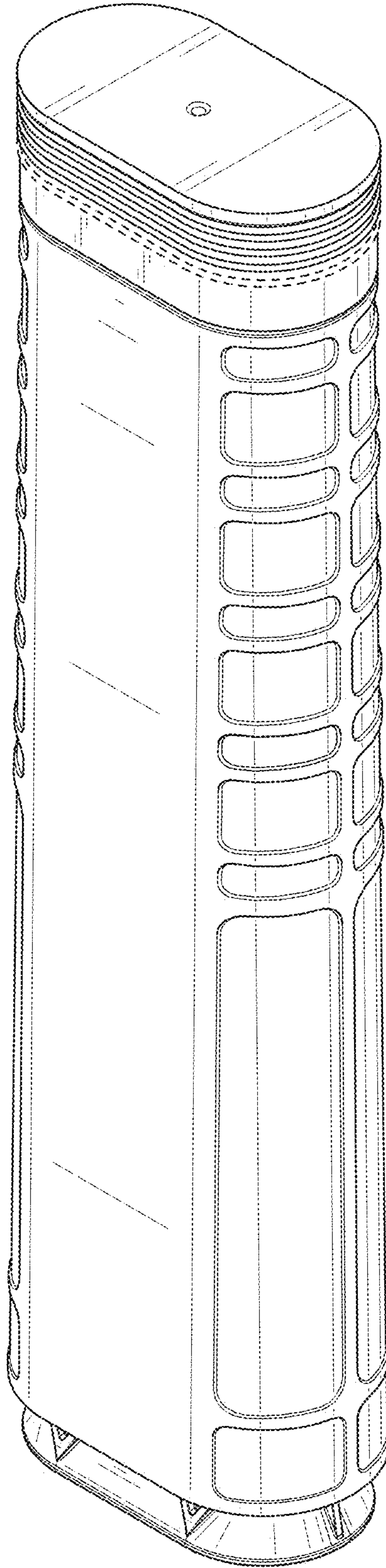


FIG. 9

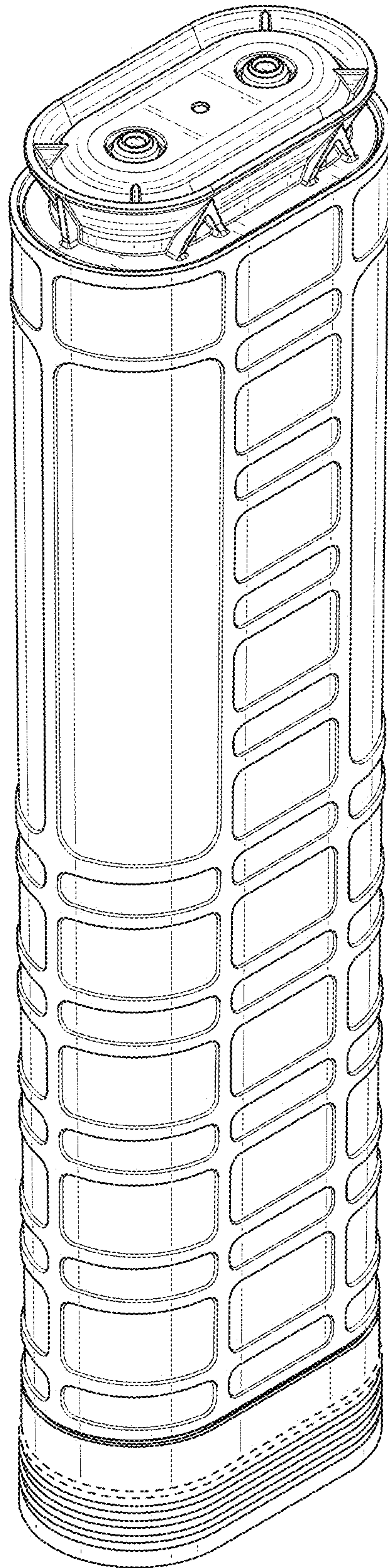


FIG. 10

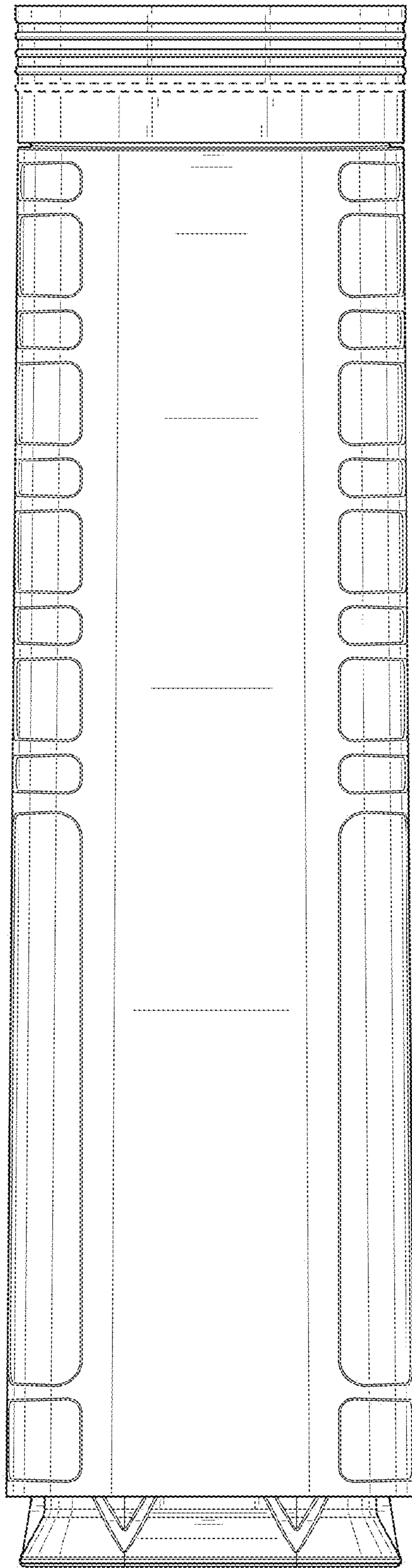


FIG. 11

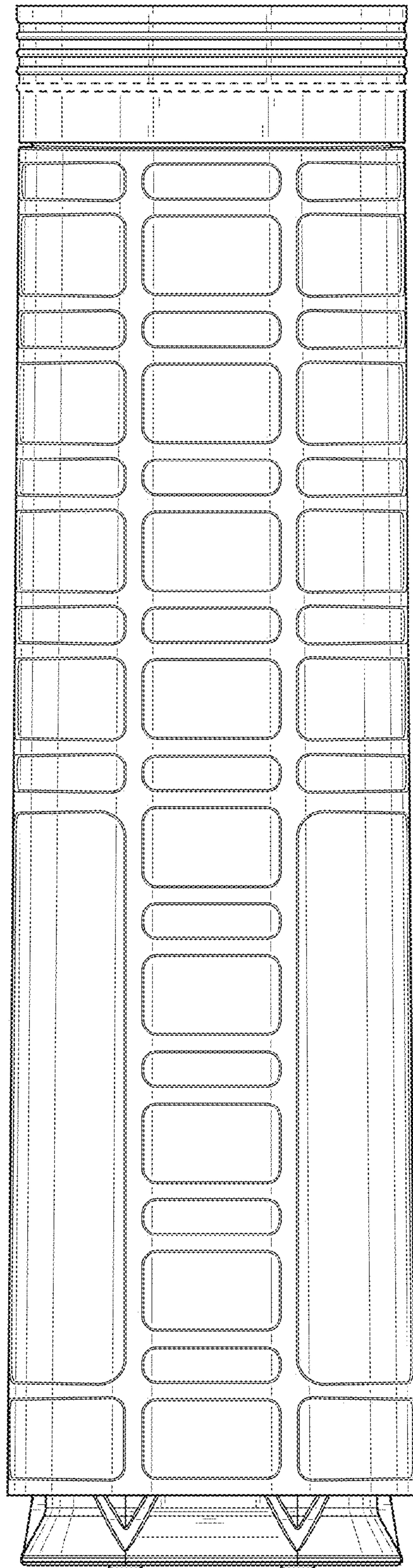


FIG. 12

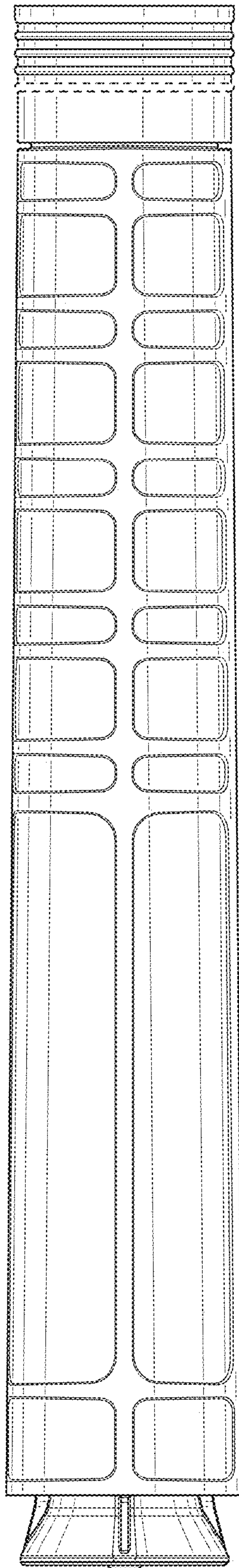


FIG. 13

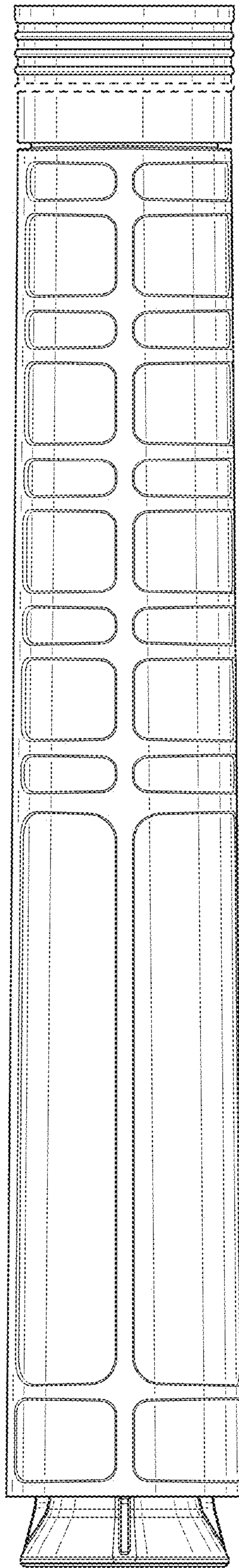


FIG. 14

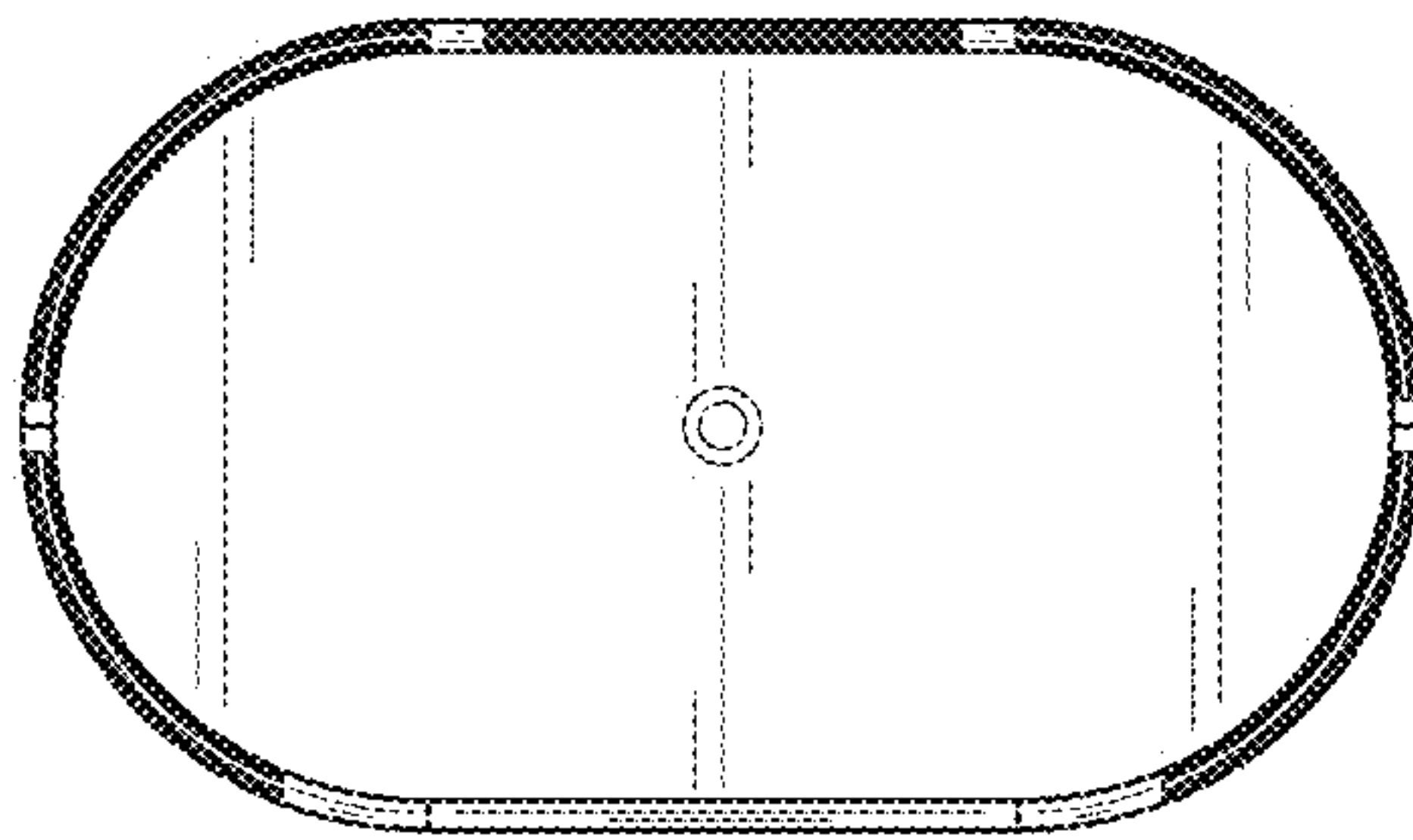


FIG. 15

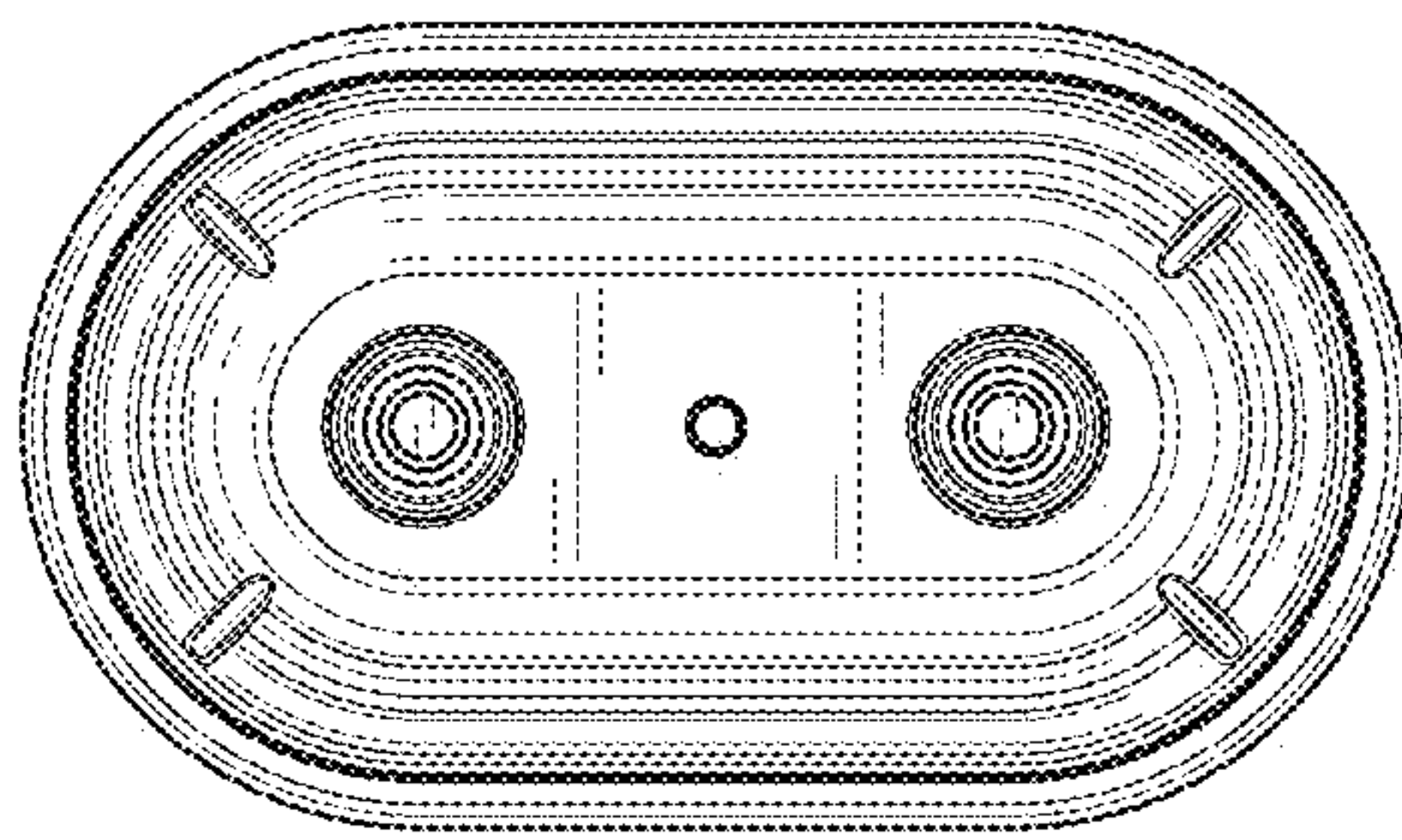


FIG. 16