

US00D957621S

(12) **United States Design Patent**
Marzi

(10) **Patent No.:** **US D957,621 S**
(45) **Date of Patent:** **** Jul. 12, 2022**

(54) **UNDERWATER EXHAUST SYSTEM THAT ACTS AS A BUBBLE DIVERTER**

(71) Applicant: **Subspec Srl**, Leghorn (IT)

(72) Inventor: **David Marzi**, Nugola-Collesalveti (IT)

(73) Assignee: **SUBSPEC SRL**, Leghorn (IT)

(**) Term: **15 Years**

(21) Appl. No.: **29/664,437**

(22) Filed: **Sep. 25, 2018**

(51) **LOC (13) Cl.** **29-02**

(52) **U.S. Cl.**
USPC **D24/110.3**

(58) **Field of Classification Search**
USPC D24/110.4, 110.5, 110.6, 127, 129
CPC B63C 11/2227; B63C 11/02; B63C 11/12;
B63C 11/14
See application file for complete search history.

(56) **References Cited**

U.S. PATENT DOCUMENTS

- 4,527,657 A * 7/1985 Payne B63C 11/26
128/200.29
- D518,066 S * 3/2006 Morgan D15/4
- 7,455,061 B2 * 11/2008 Morgan B63C 11/12
128/200.29
- D648,020 S * 11/2011 Morgan D24/110.3

- 2003/0159692 A1* 8/2003 Morgan B63C 11/26
128/201.27
- 2007/0062524 A1* 3/2007 Morgan B63C 11/12
128/201.27
- 2021/0229788 A1* 7/2021 Palmieri B63C 11/2227

FOREIGN PATENT DOCUMENTS

CA 108095 * 3/2006

* cited by examiner

Primary Examiner — Lilyana Bekic

Assistant Examiner — Lee D. Starr

(74) *Attorney, Agent, or Firm* — Bay State IP, LLC

(57) **CLAIM**

The ornamental design for an underwater exhaust system that acts as a bubble diverter, as shown and described.

DESCRIPTION

FIG. 1 is a perspective view of the underwater exhaust system that acts as a bubble diverter showing my new design;

FIG. 2 is a front view thereof;

FIG. 3 is a left side view thereof;

FIG. 4 is a right side view thereof;

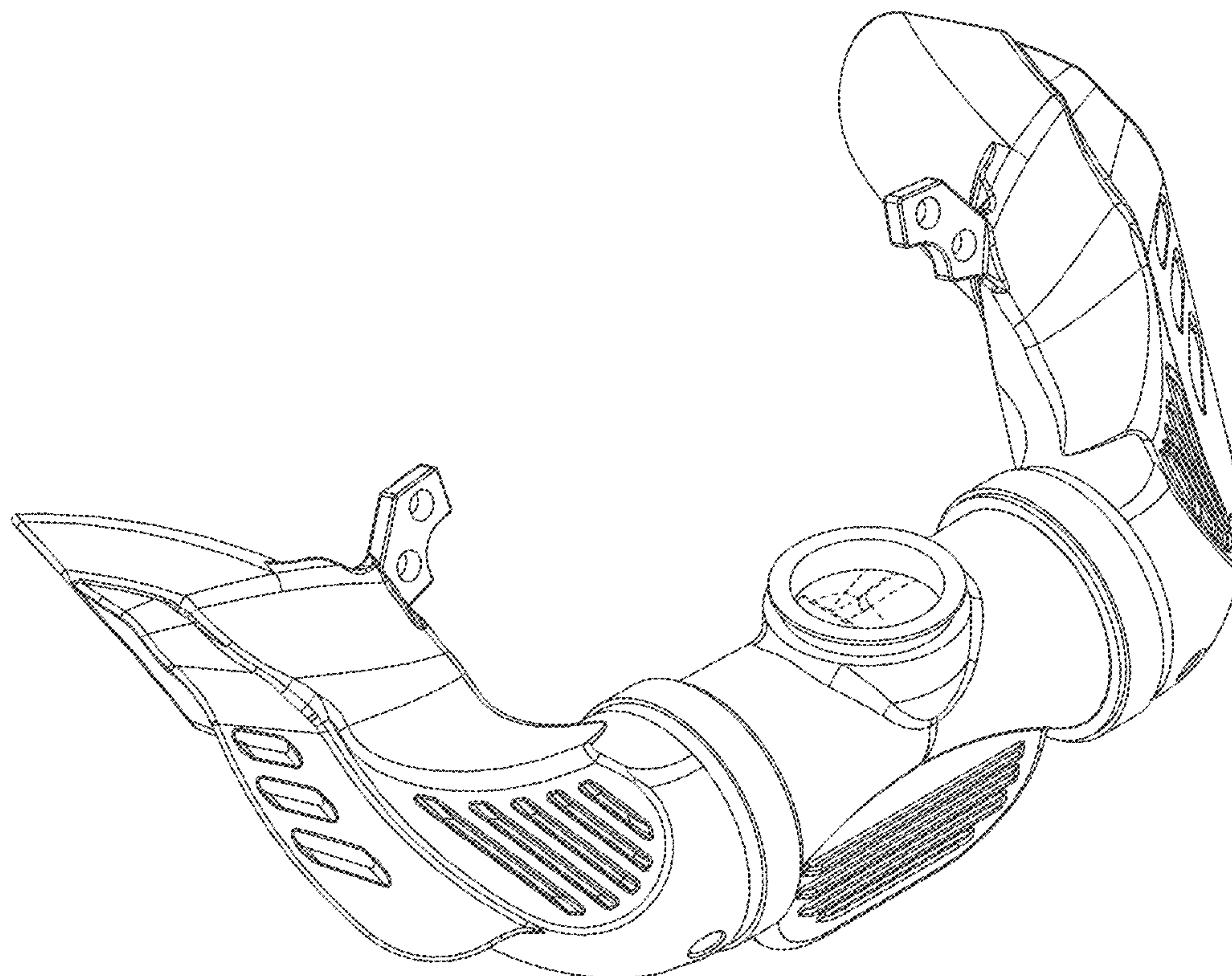
FIG. 5 is a back view thereof;

FIG. 6 is a top view thereof; and,

FIG. 7 is a bottom view thereof.

In the drawings, the broken lines depict portions of the underwater exhaust system that acts as a bubble diverter that form no part of the claimed design.

1 Claim, 7 Drawing Sheets



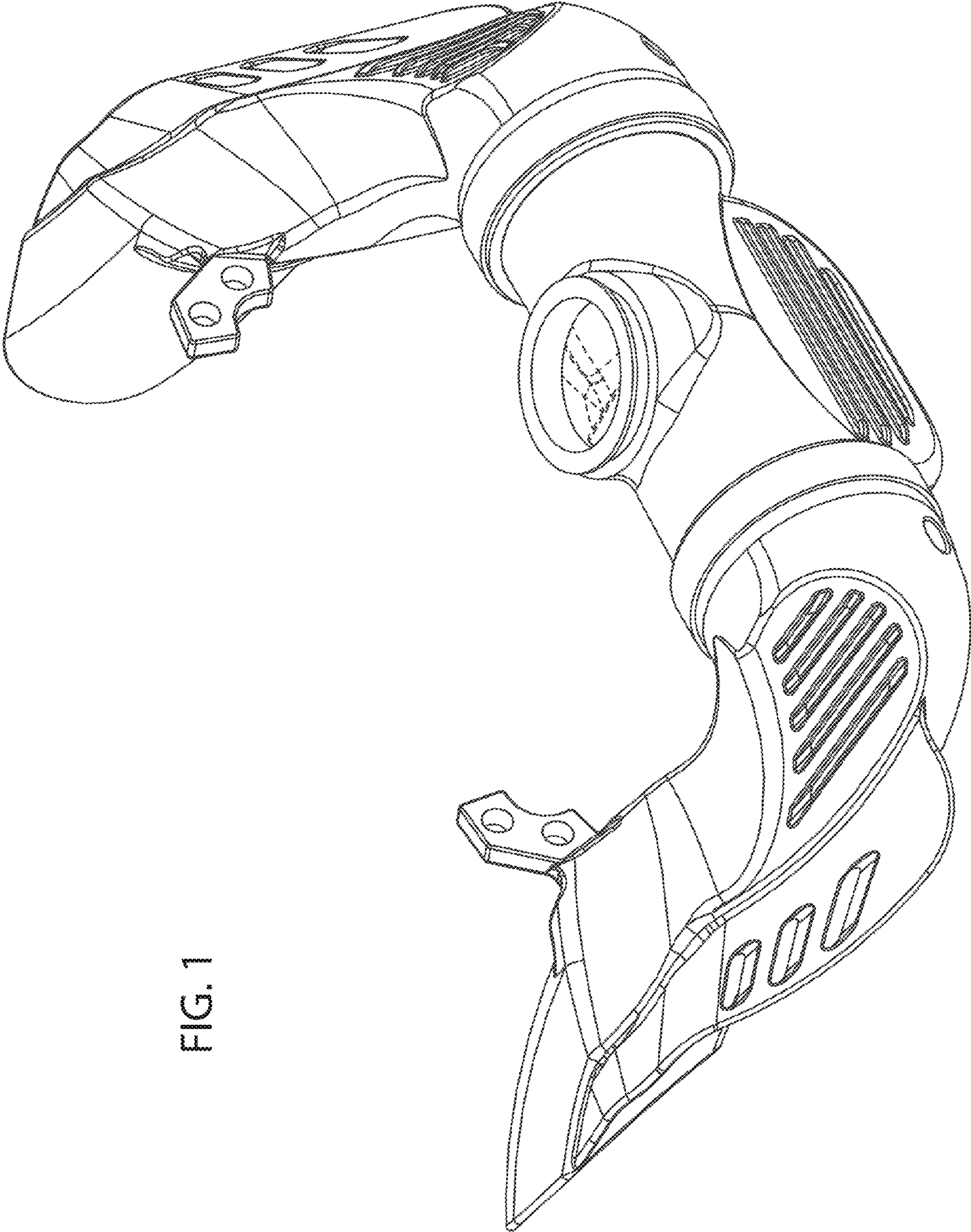


FIG. 1

FIG. 2

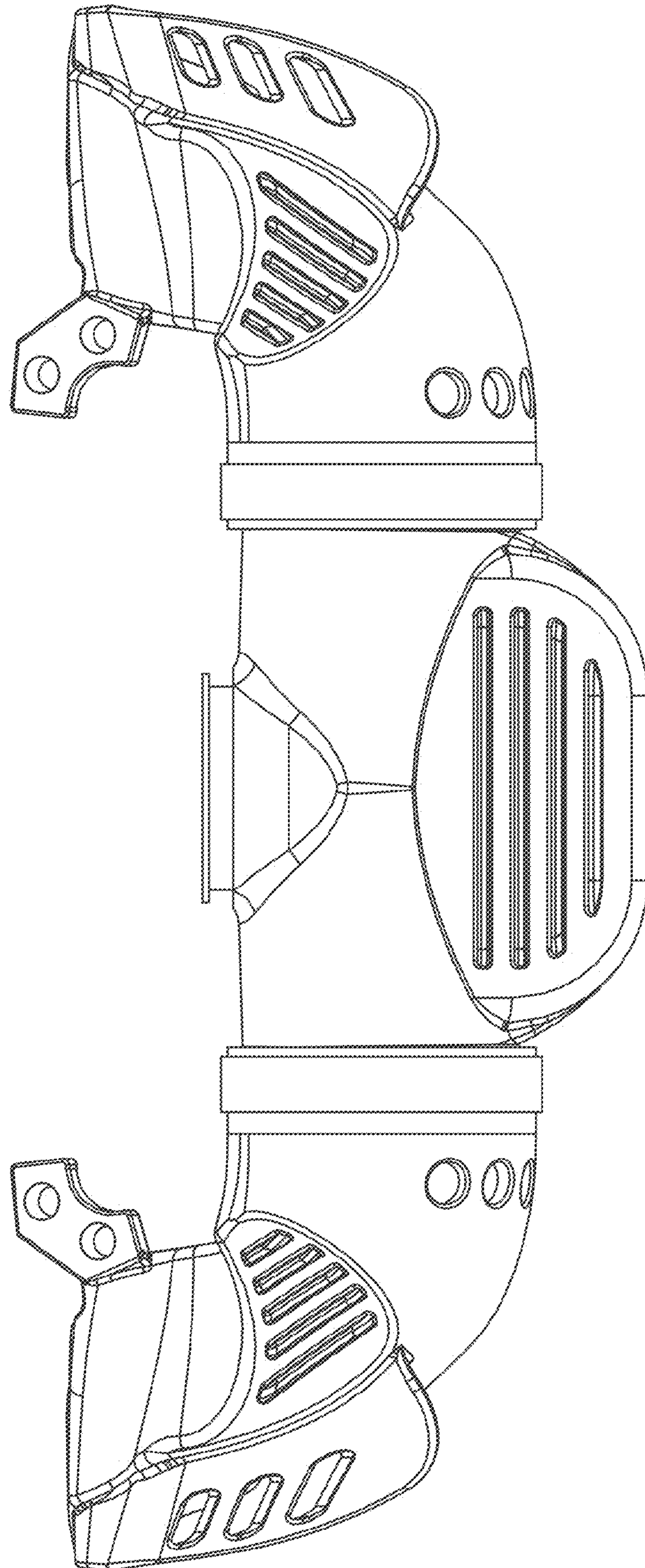


FIG. 3

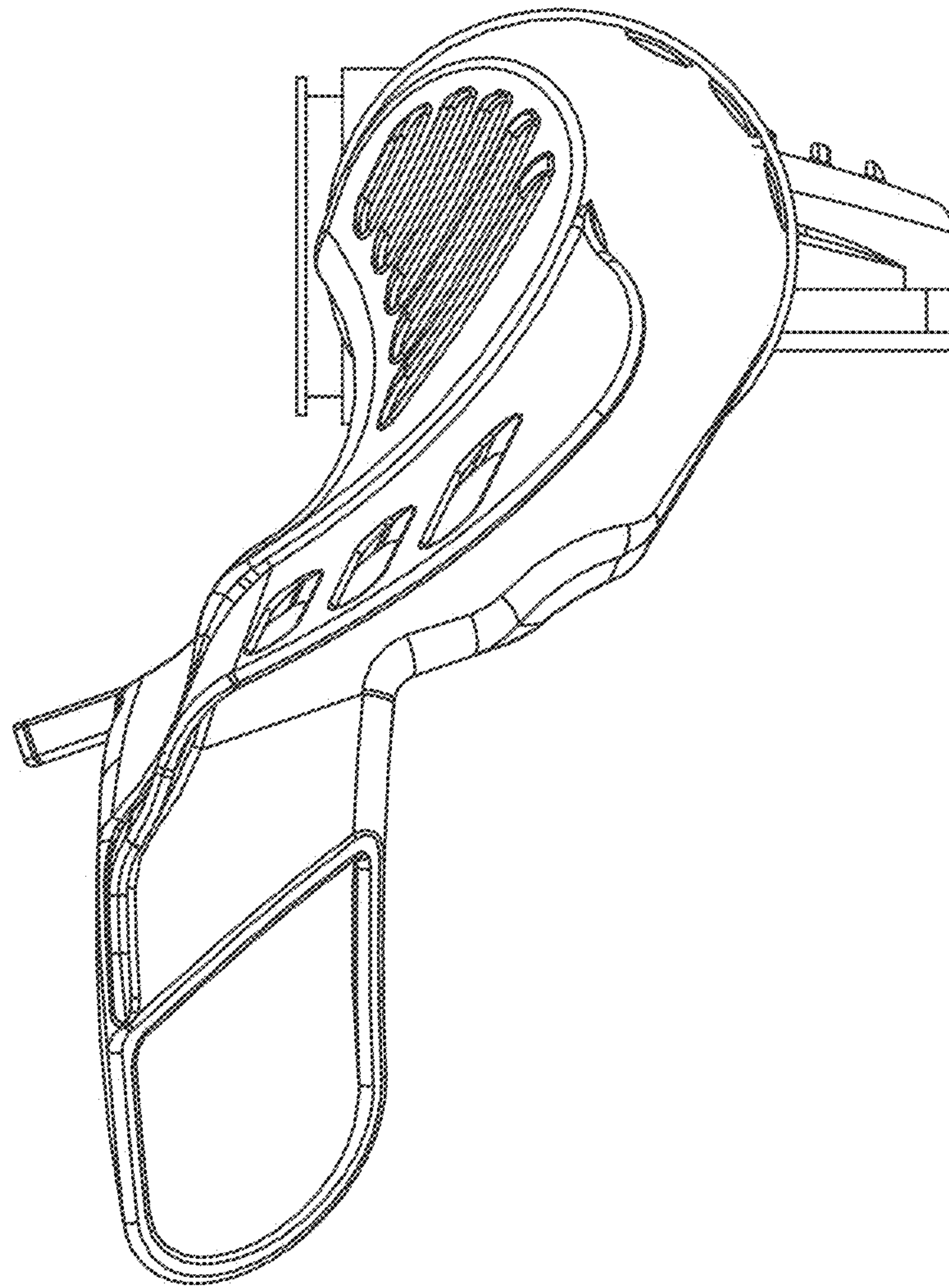


FIG. 4

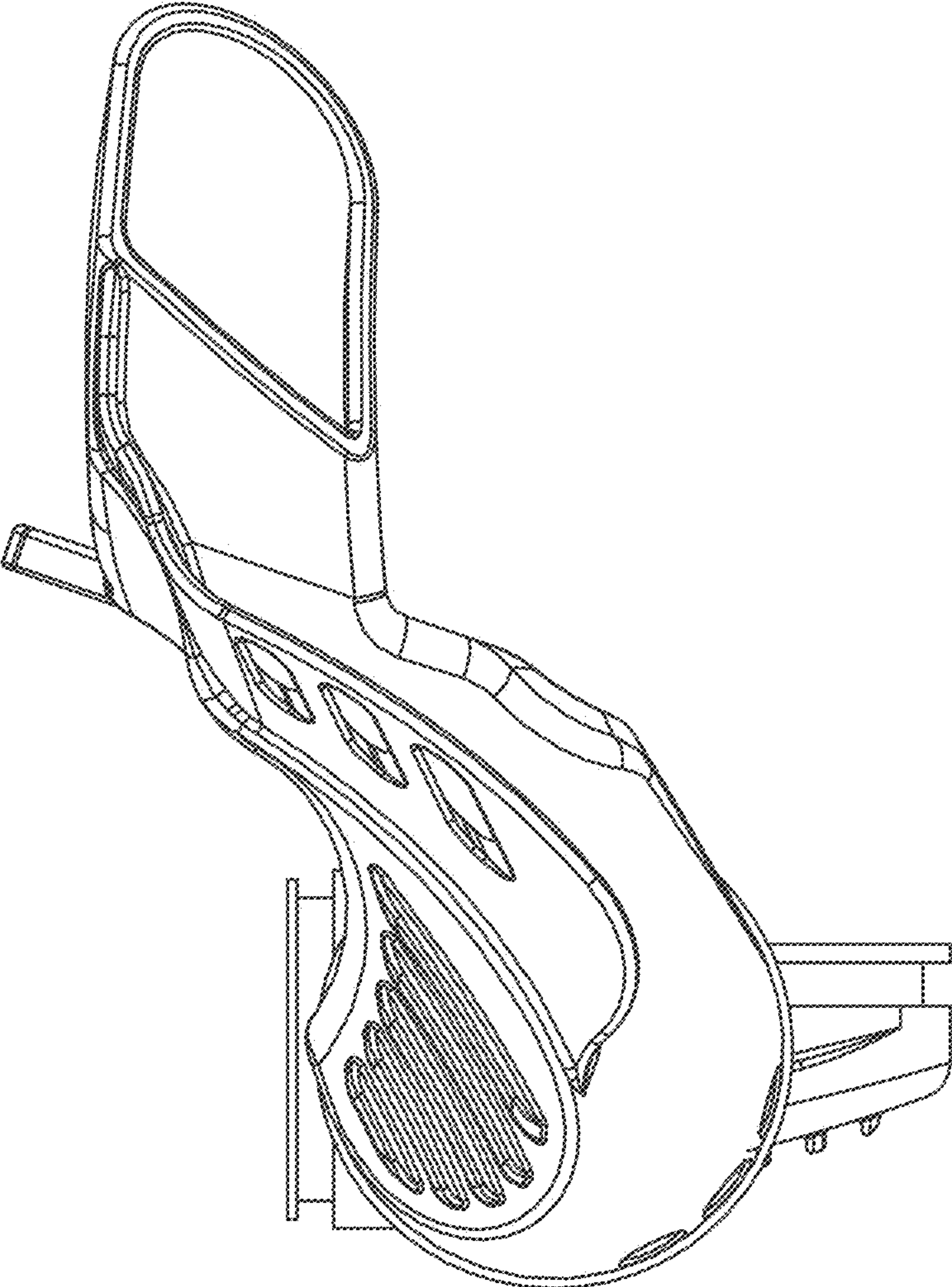
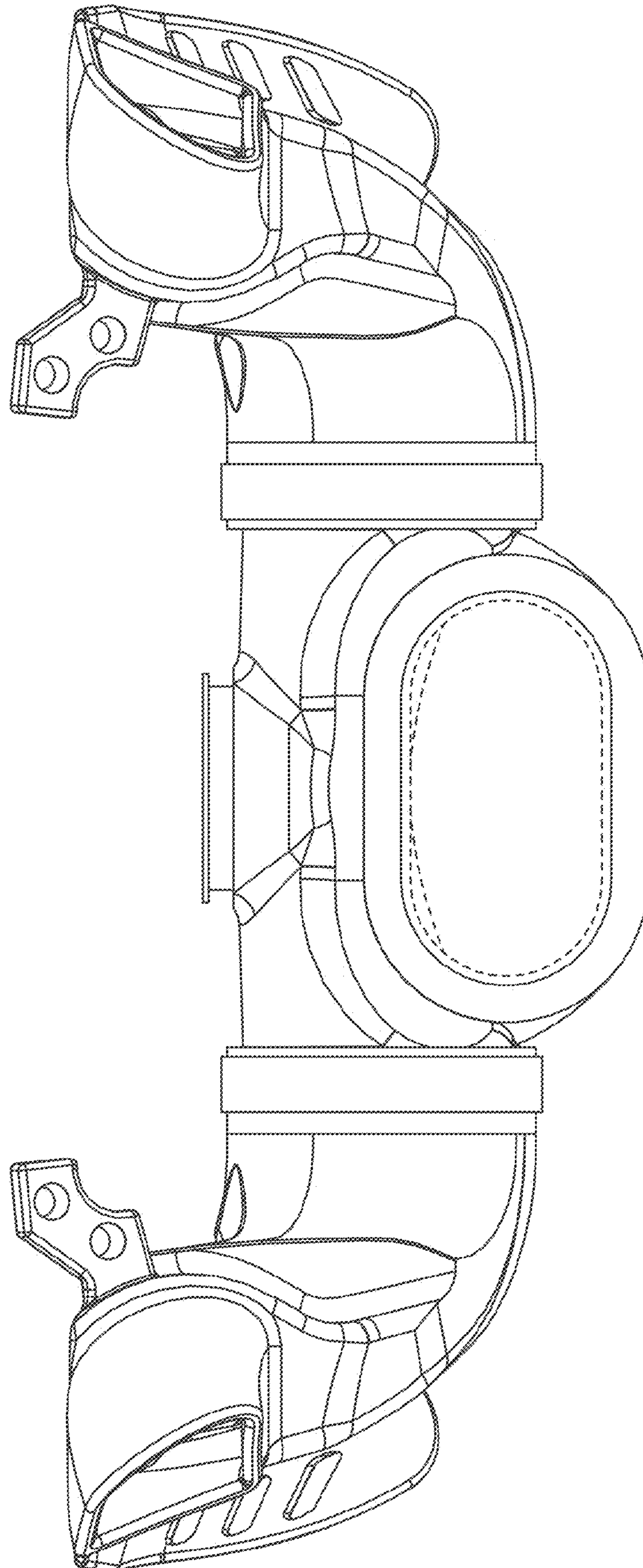


FIG. 5



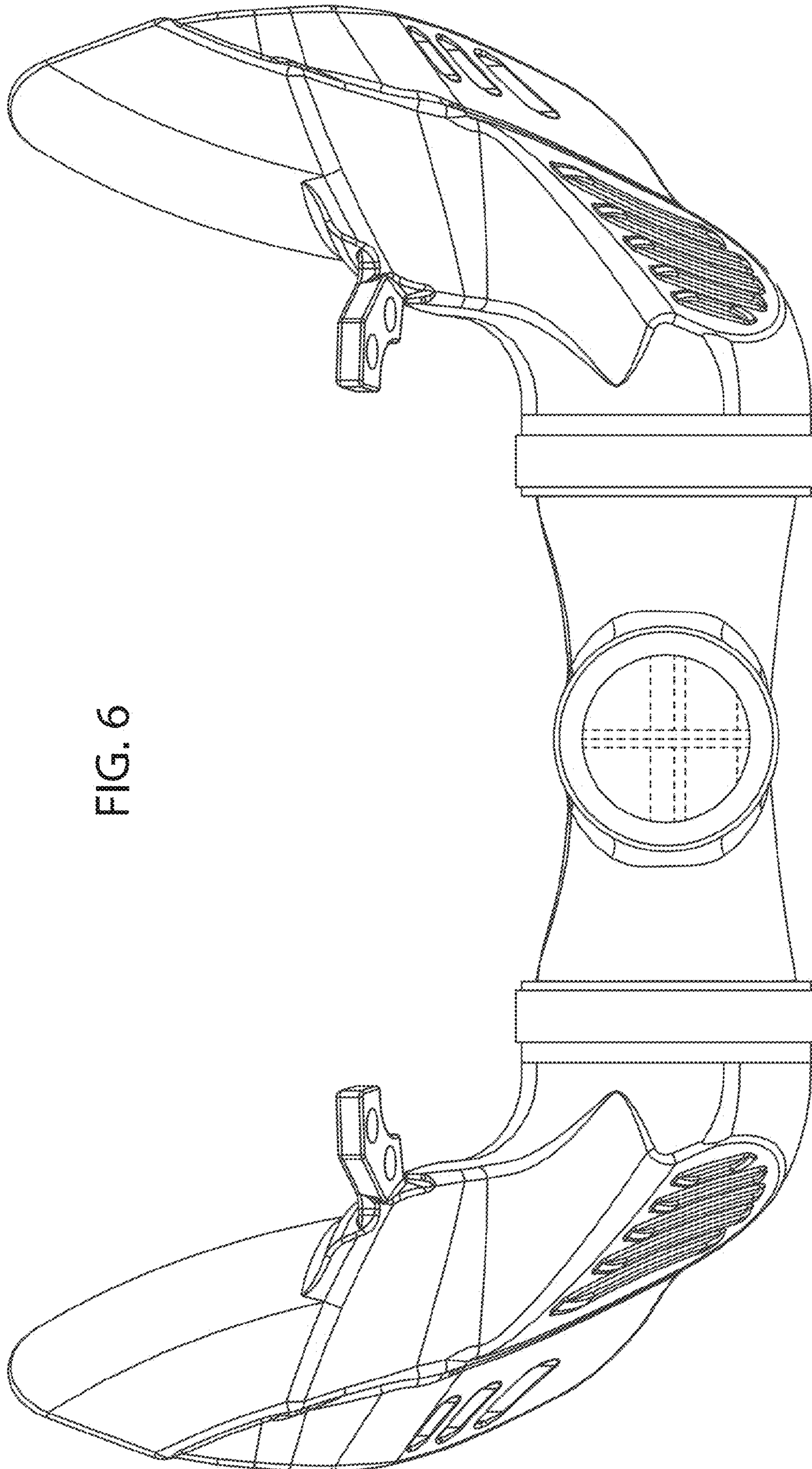


FIG. 6

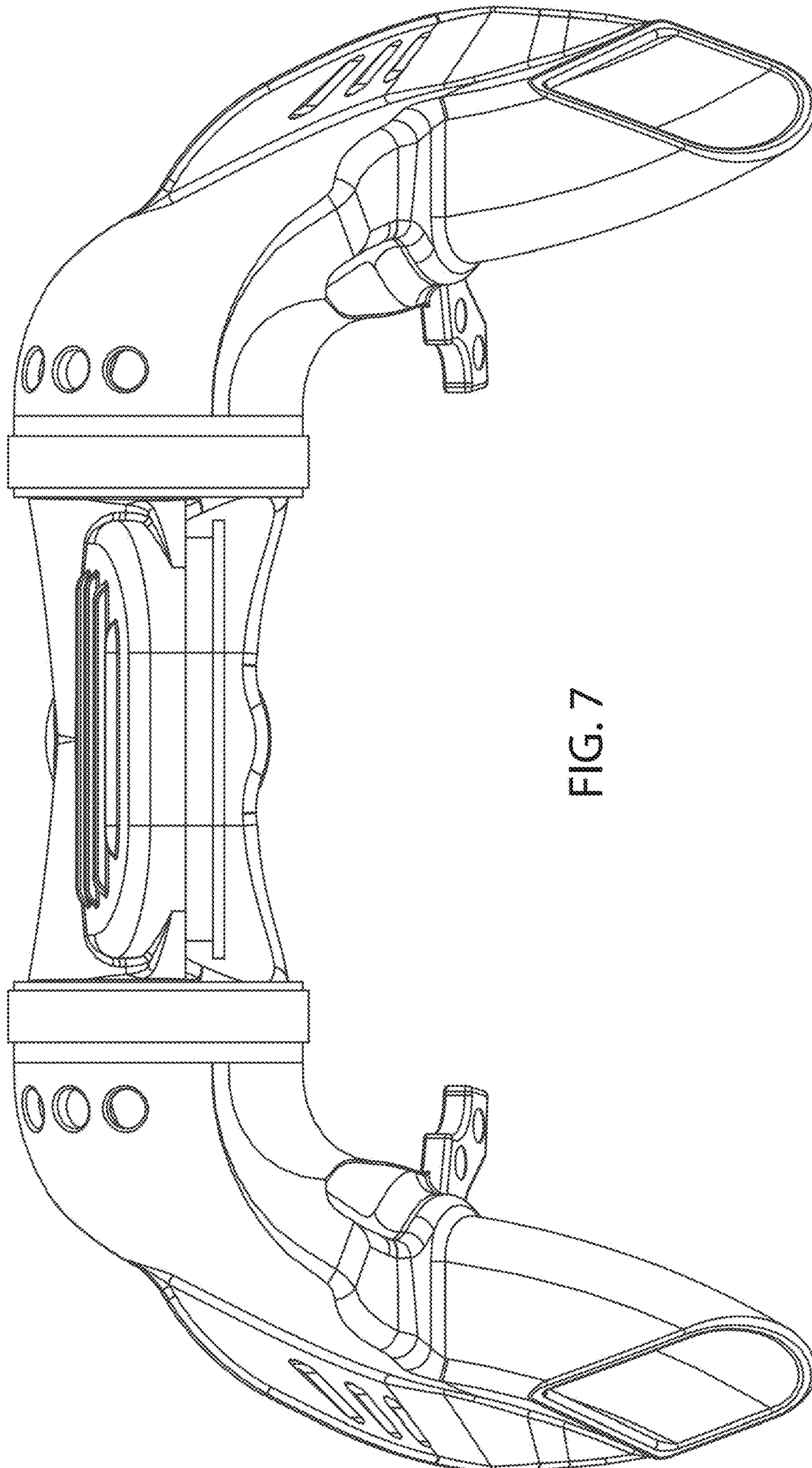


FIG. 7