



US00D957620S

(12) **United States Design Patent**  
**Kramer**

(10) **Patent No.:** **US D957,620 S**

(45) **Date of Patent:** **\*\* Jul. 12, 2022**

(54) **LIQUID CHAMBER**

(71) Applicant: **Fisher & Paykel Healthcare Limited,**  
Auckland (NZ)

(72) Inventor: **Martin Paul Friedrich Kramer,**  
Auckland (NZ)

(73) Assignee: **Fisher & Paykel Healthcare Limited,**  
Auckland (NZ)

(\*\*) Term: **15 Years**

(21) Appl. No.: **29/708,037**

(22) Filed: **Oct. 2, 2019**

(51) **LOC (13) Cl.** ..... **29-02**

(52) **U.S. Cl.**  
USPC ..... **D24/110; D24/127**

(58) **Field of Classification Search**  
USPC ..... D24/108, 118, 110, 121, 127; D23/147,  
D23/355, 356, 357, 358, 364, 365;  
(Continued)

(56) **References Cited**

**U.S. PATENT DOCUMENTS**

3,804,280 A 4/1974 Van et al.  
D231,932 S \* 6/1974 Smith ..... D24/122  
(Continued)

**FOREIGN PATENT DOCUMENTS**

CN 3532824 \* 5/2006  
CN 303778070 \* 8/2016  
(Continued)

**OTHER PUBLICATIONS**

Intellectual Property Bureau of Taiwan, Examination Report, Appli-  
cation No. 10920881340, dated Sep. 14, 2020 in 4 pages.

(Continued)

*Primary Examiner* — Jonathan J Han

*Assistant Examiner* — Amanda J Berlinski

(74) *Attorney, Agent, or Firm* — Knobbe, Martens, Olson  
& Bear LLP

(57) **CLAIM**

The ornamental design for a liquid chamber, as shown and  
described.

**DESCRIPTION**

FIG. 1 is a front, right side and overhead perspective view  
of a first embodiment of our liquid chamber.

FIG. 2 is a rear, left side, overhead perspective view thereof.

FIG. 3 is a front view thereof.

FIG. 4 is a rear view thereof.

FIG. 5 is a right side view thereof.

FIG. 6 is a left side view thereof.

FIG. 7 is a top view thereof.

FIG. 8 is a bottom view thereof.

FIG. 9 is a front, right side, overhead perspective view of a  
second embodiment of our liquid chamber.

FIG. 10 is a rear, left side, overhead perspective view  
thereof.

FIG. 11 is a front view thereof.

FIG. 12 is a rear view thereof.

FIG. 13 is a right side view thereof.

FIG. 14 is a left side view thereof.

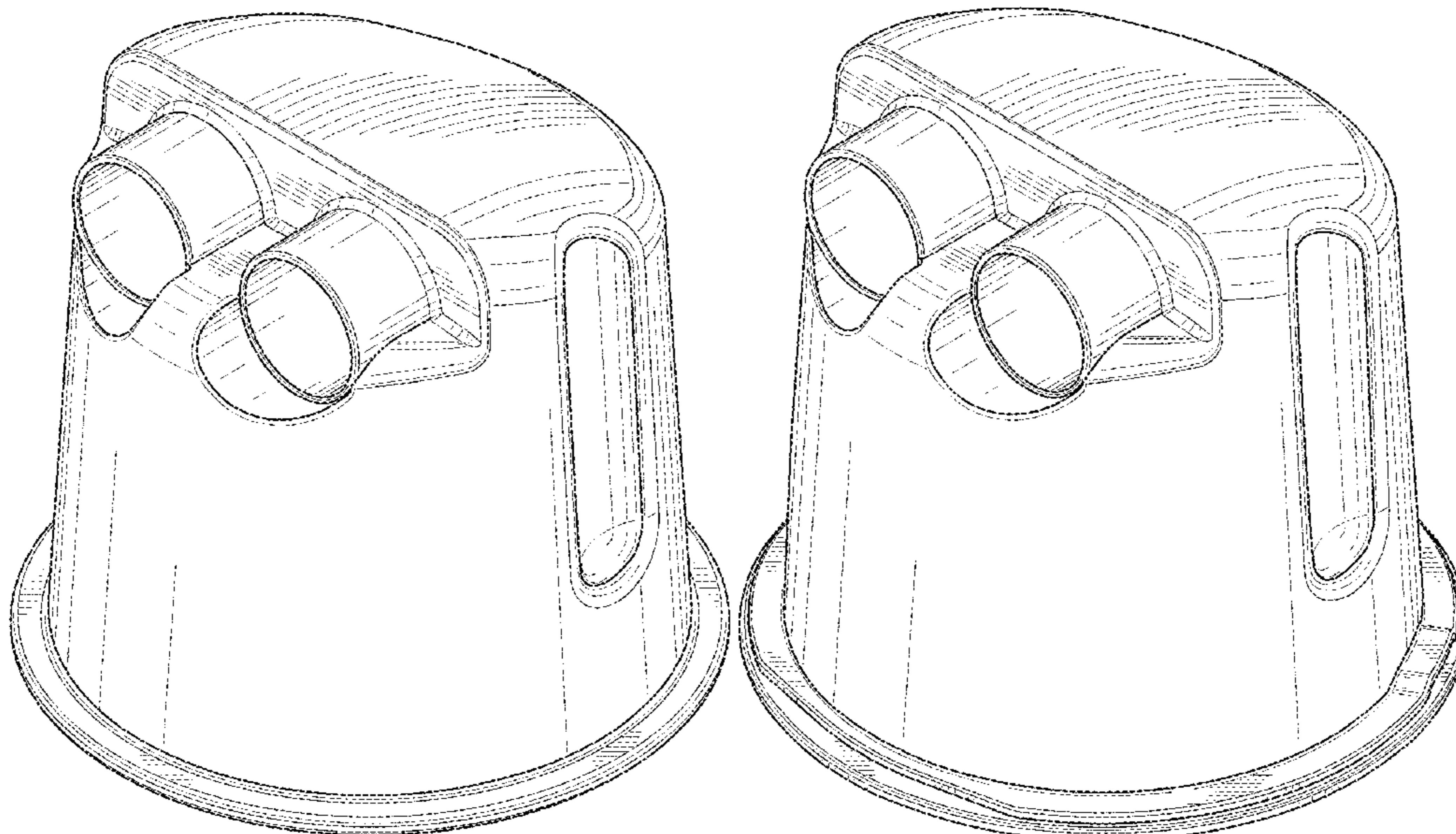
FIG. 15 is a top view thereof.

FIG. 16 is a bottom view thereof; and,

FIG. 17 is a right side exploded view of the second embodi-  
ment of our liquid chamber.

The references to “left,” “right,” “front,” “rear,” “top,” and  
“bottom” in the figure descriptions are not meant to require  
certain in-use orientation; the liquid chamber may be used in  
any suitable orientations.

**1 Claim, 17 Drawing Sheets**



(58) **Field of Classification Search**  
 USPC ..... D9/516; 392/586, 405, 406; 239/136;  
 261/DIG. 65  
 CPC ..... A61M 16/16; A61M 16/109; A61M  
 16/0066; A61M 16/1075; A61M 16/161  
 See application file for complete search history.

(56) **References Cited**

U.S. PATENT DOCUMENTS

D234,641 S \* 3/1975 King et al. .... D24/110  
 4,013,742 A 3/1977 Lang  
 D258,910 S \* 4/1981 DeVroom ..... D24/110  
 D307,798 S \* 5/1990 Elsworth ..... D24/110  
 4,943,704 A 7/1990 Rabenau et al.  
 5,231,979 A 8/1993 Rose et al.  
 D362,296 S \* 9/1995 Schmidt ..... D23/364  
 D370,263 S \* 5/1996 Falkenberg ..... D24/108  
 D416,622 S \* 11/1999 Selman ..... D24/127  
 D438,944 S \* 3/2001 Terpko ..... D23/364  
 6,398,197 B1 \* 6/2002 Dickinson ..... A61M 16/109  
 261/141  
 7,111,624 B2 \* 9/2006 Thudor ..... A61M 16/1095  
 128/203.16  
 D530,009 S \* 10/2006 Lyman ..... D24/129  
 D532,890 S \* 11/2006 Tian ..... D23/364  
 D544,591 S \* 6/2007 Snow ..... D23/358  
 D545,954 S \* 7/2007 Snow ..... D23/356  
 D549,810 S \* 8/2007 Smith ..... D23/358  
 D559,384 S \* 1/2008 Wang ..... D24/122  
 D561,890 S \* 2/2008 Lithgow ..... D24/110  
 7,413,173 B2 \* 8/2008 DiMatteo ..... A61M 16/16  
 128/203.27  
 D582,531 S \* 12/2008 Israel ..... D23/356  
 D583,035 S \* 12/2008 Gao ..... D23/356  
 D589,138 S \* 3/2009 Kenyon ..... F04D 29/30  
 D24/110  
 D632,770 S \* 2/2011 Rotter ..... D23/364

7,909,032 B2 3/2011 Feldhahn et al.  
 8,636,002 B2 \* 1/2014 McAuley ..... A61M 16/024  
 128/203.26  
 D701,601 S \* 3/2014 Winter ..... D24/127  
 D740,930 S \* 10/2015 Pipe ..... D24/108  
 D804,341 S \* 12/2017 Rowland ..... D10/96  
 D822,817 S \* 7/2018 Maeckelberghe ..... D24/110  
 10,105,511 B2 10/2018 Buechi  
 D854,673 S \* 7/2019 Kice ..... D23/365  
 D861,149 S \* 9/2019 Crafoord ..... D23/364  
 D900,319 S \* 10/2020 Peiris ..... D24/162  
 2006/0237005 A1 10/2006 Virr et al.  
 2009/0229606 A1 \* 9/2009 Tang ..... A61M 16/0069  
 128/203.14  
 2016/0199614 A1 \* 7/2016 Donnelly ..... F16K 31/26  
 128/203.25  
 2016/0310691 A1 10/2016 Bath et al.  
 2020/0338300 A1 \* 10/2020 Hsiung ..... A61M 16/167  
 2021/0023327 A1 \* 1/2021 Barghouth ..... A61M 16/1095

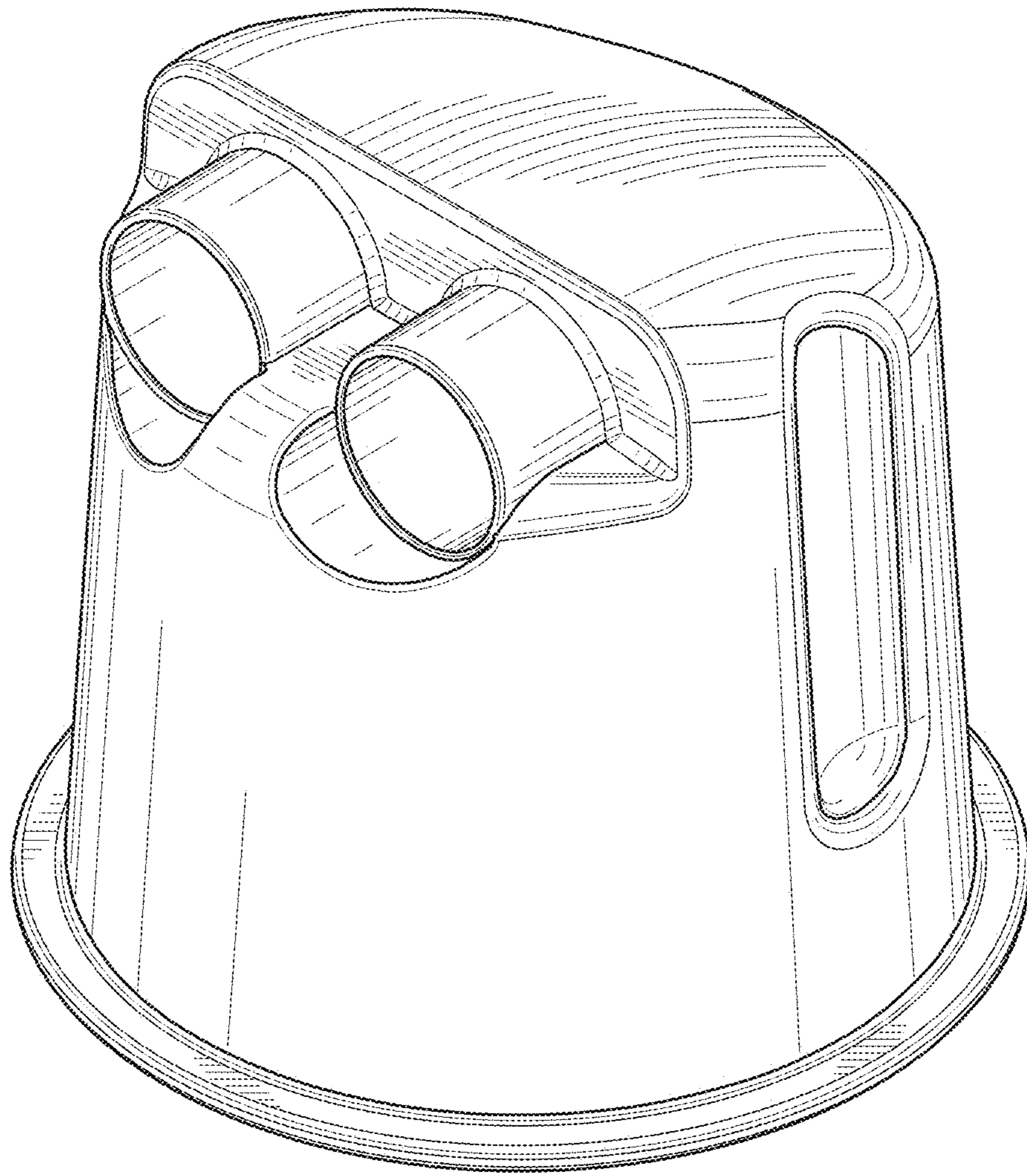
FOREIGN PATENT DOCUMENTS

CN 306353641 \* 2/2021  
 EP 1733751 12/2006  
 EP 2703034 3/2014  
 EP 3050590 8/2016  
 WO WO 2007/019626 2/2007  
 WO WO 2012/065999 5/2012  
 WO WO 2013/162386 10/2013  
 WO WO 2014/038968 3/2014  
 WO WO 2015/038013 3/2015

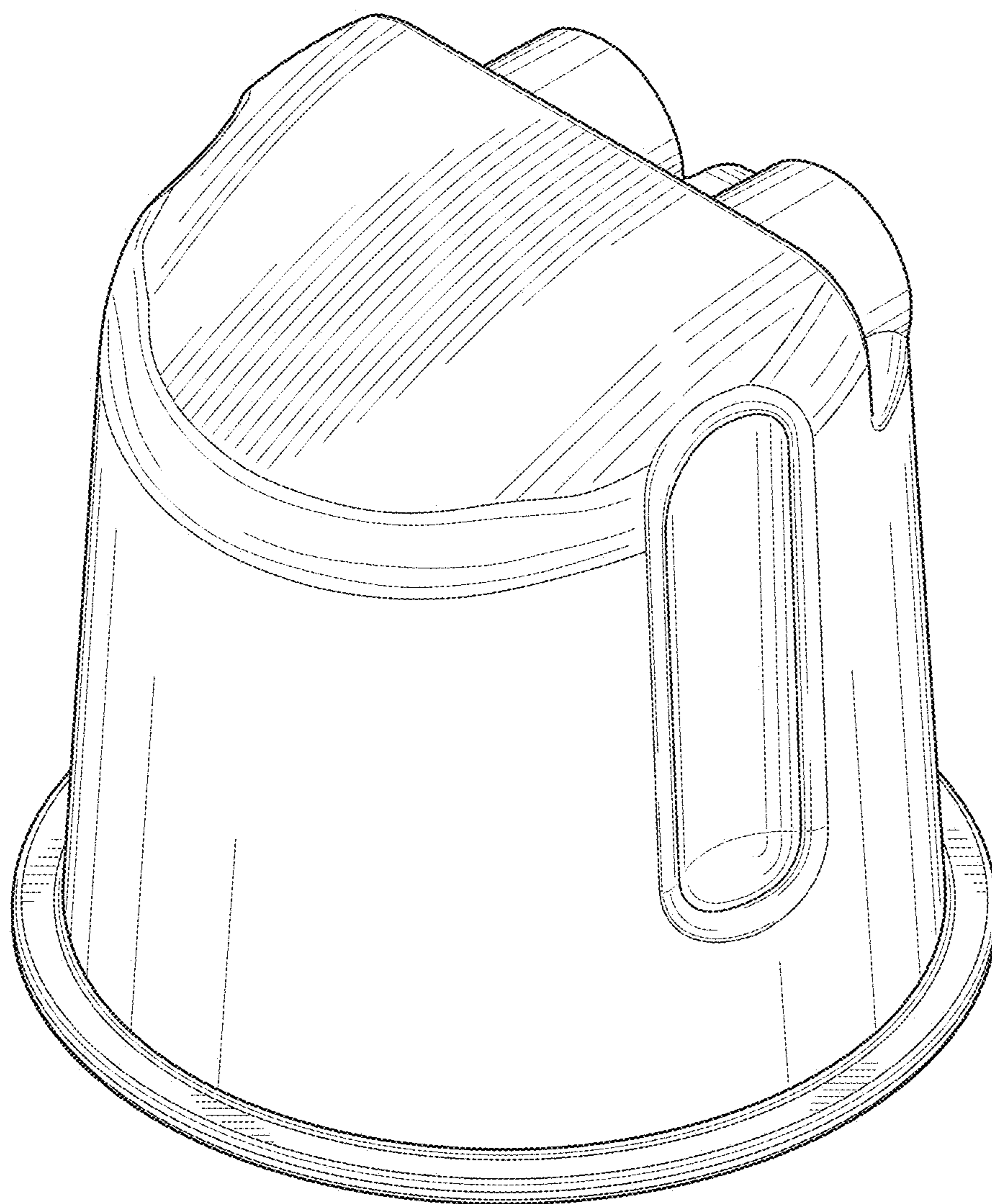
OTHER PUBLICATIONS

Examination Report, Chinese Design Application No. 202030096252.  
 5, dated Sep. 28, 2020; 3 pages total (with machine translation).  
 Examination Report, Chinese Design Application No. 202030096252.  
 5, dated Jun. 12, 2020; 3 pages total (with machine translation).

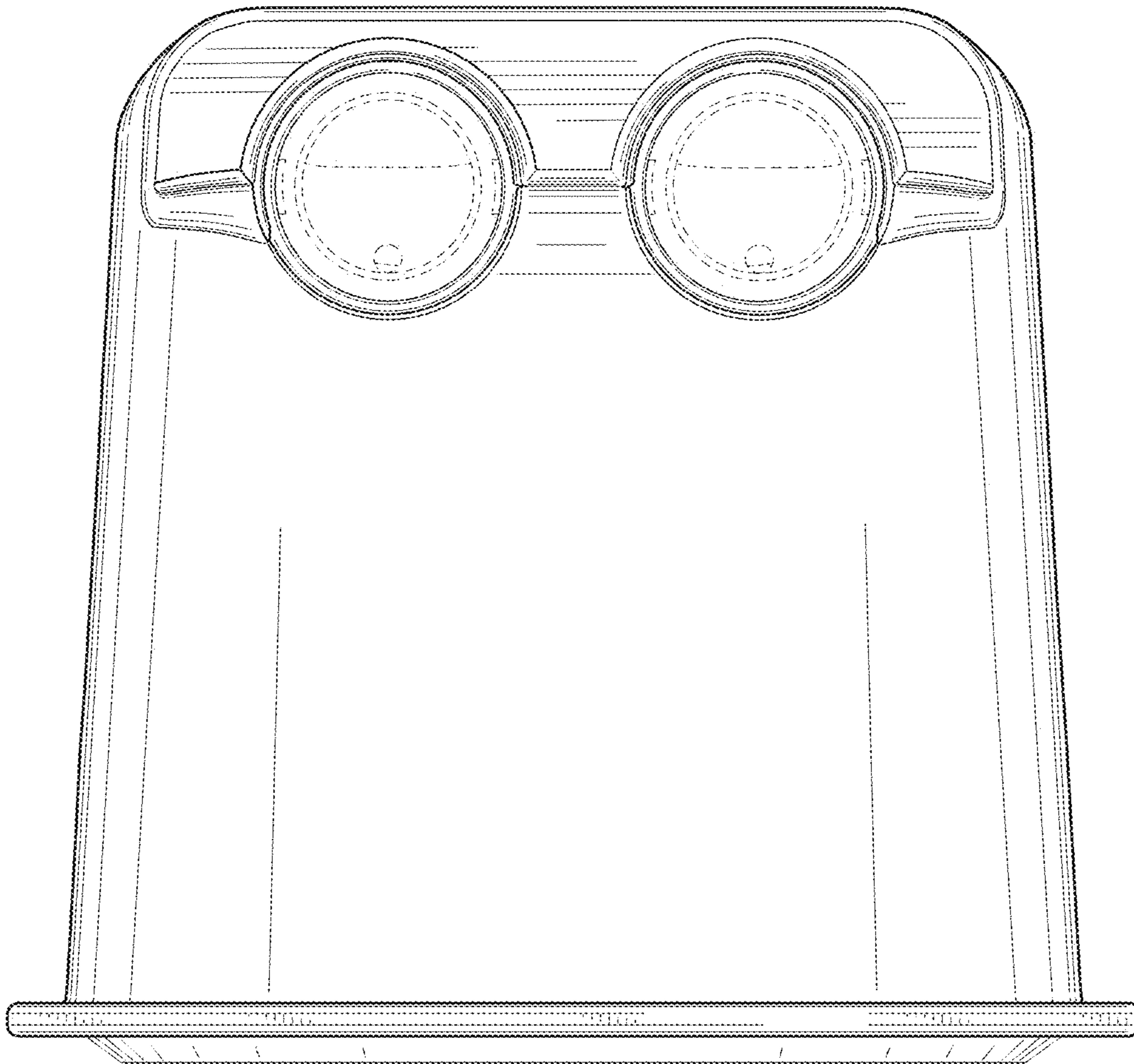
\* cited by examiner



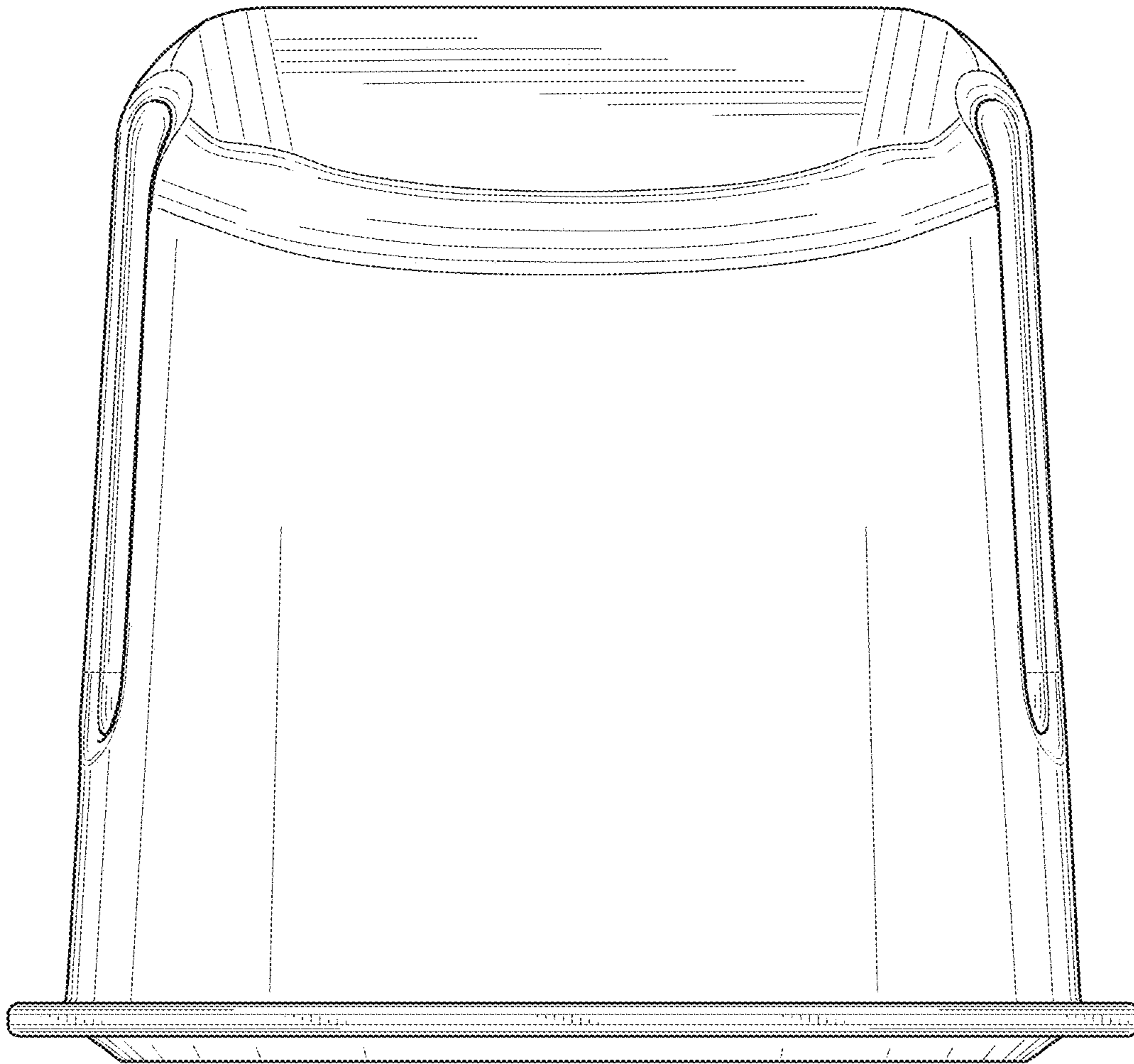
***FIG. 1***



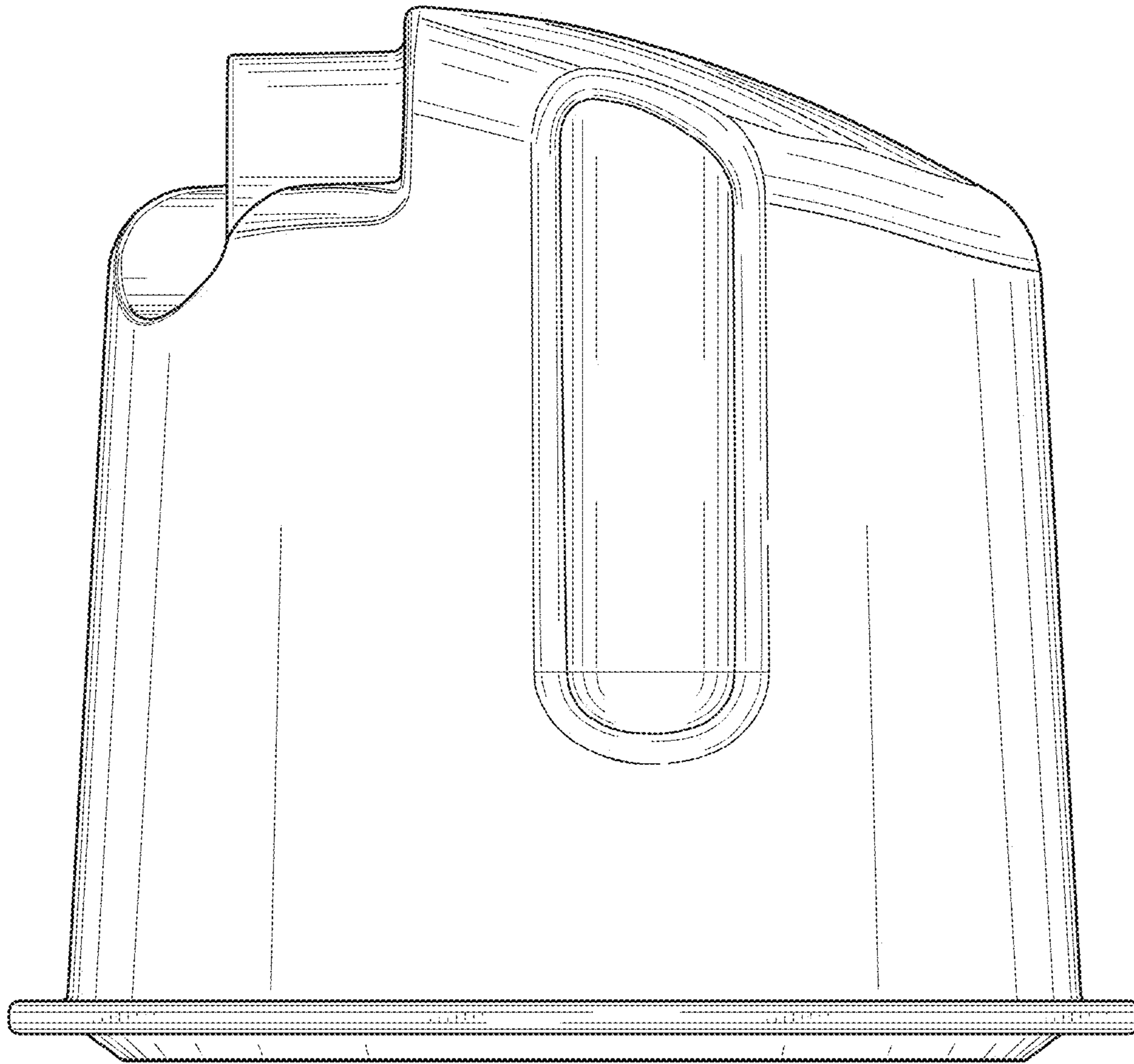
**FIG. 2**



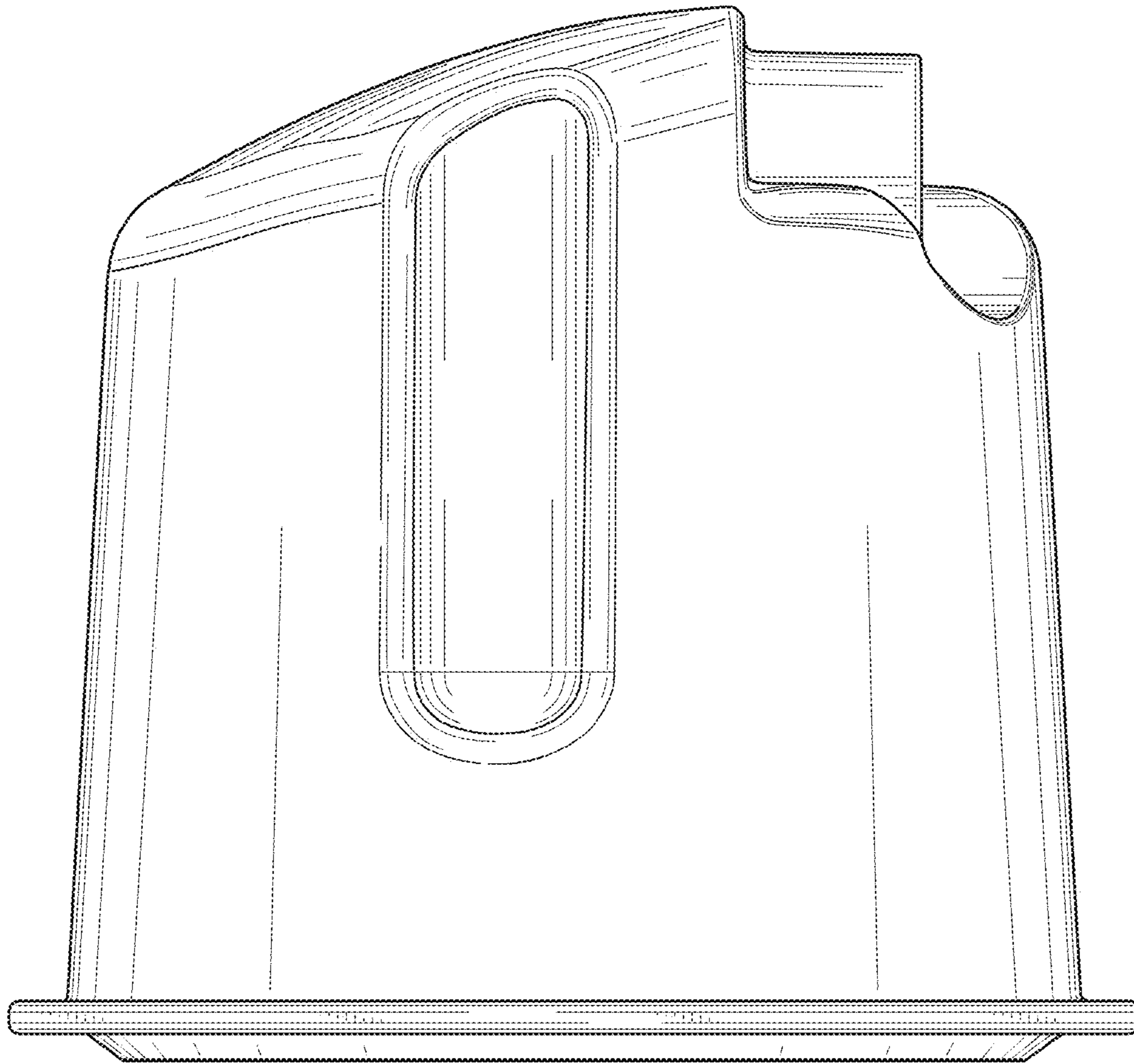
**FIG. 3**



**FIG. 4**

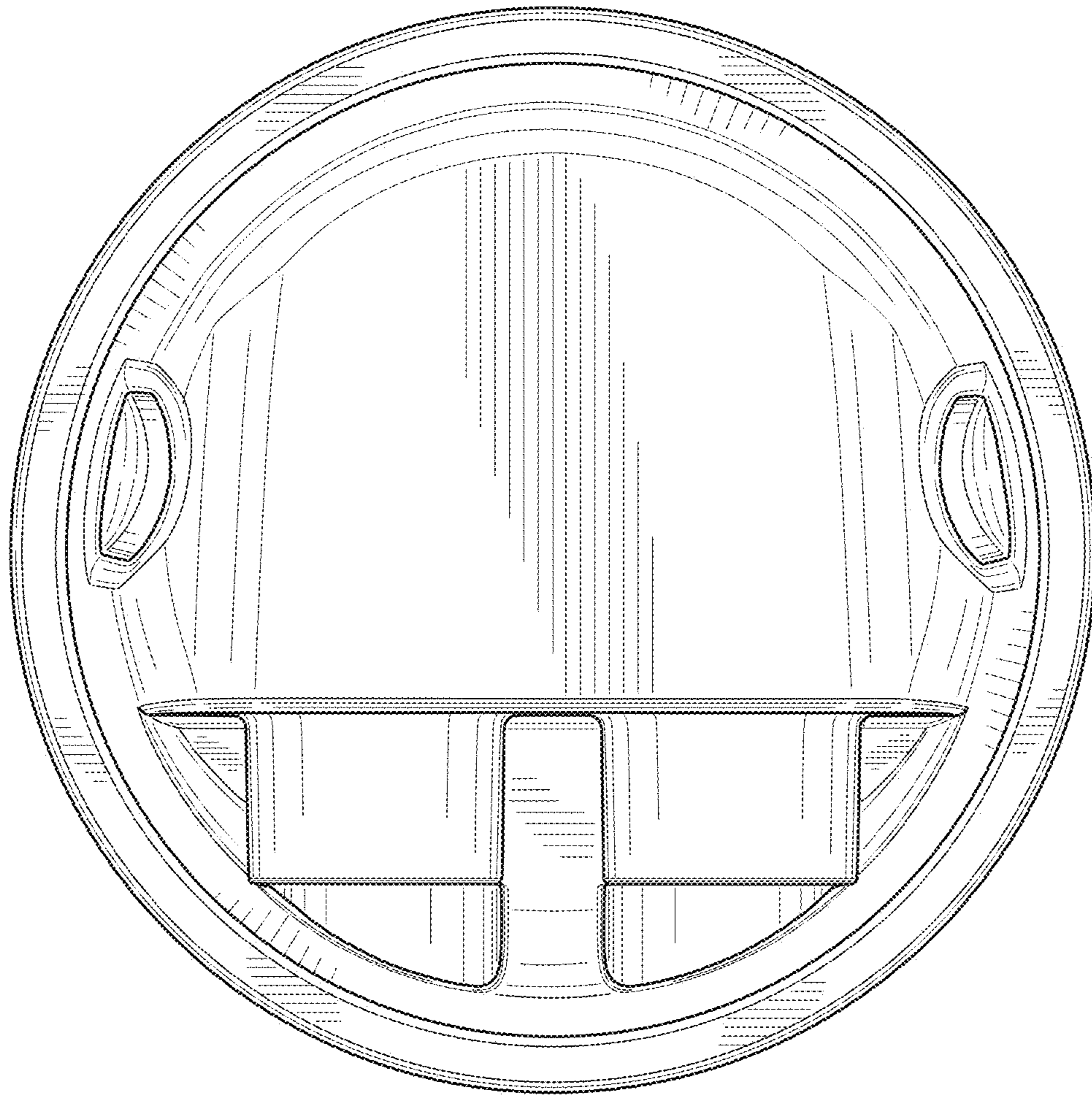


**FIG. 5**

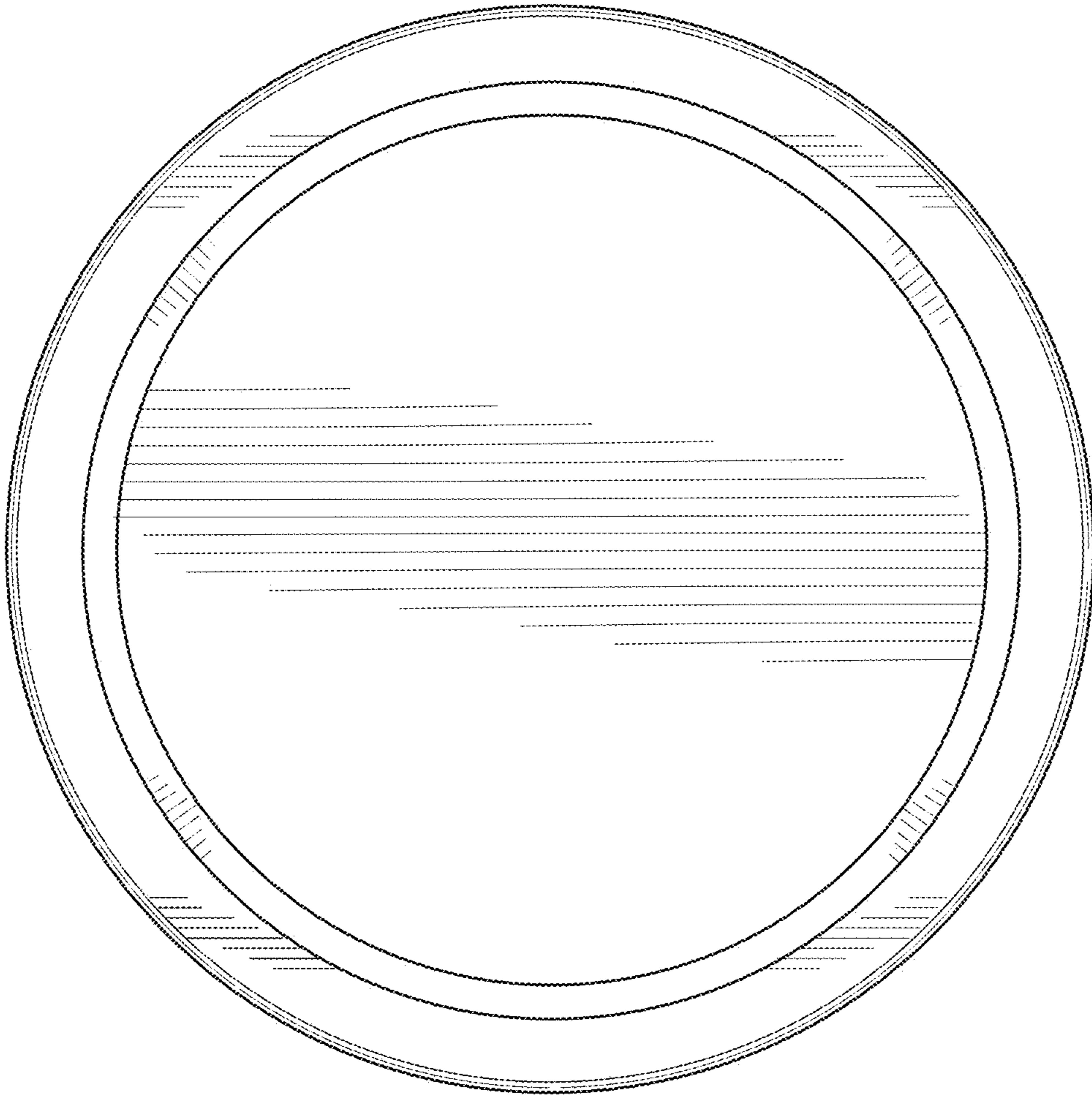


**FIG. 6**

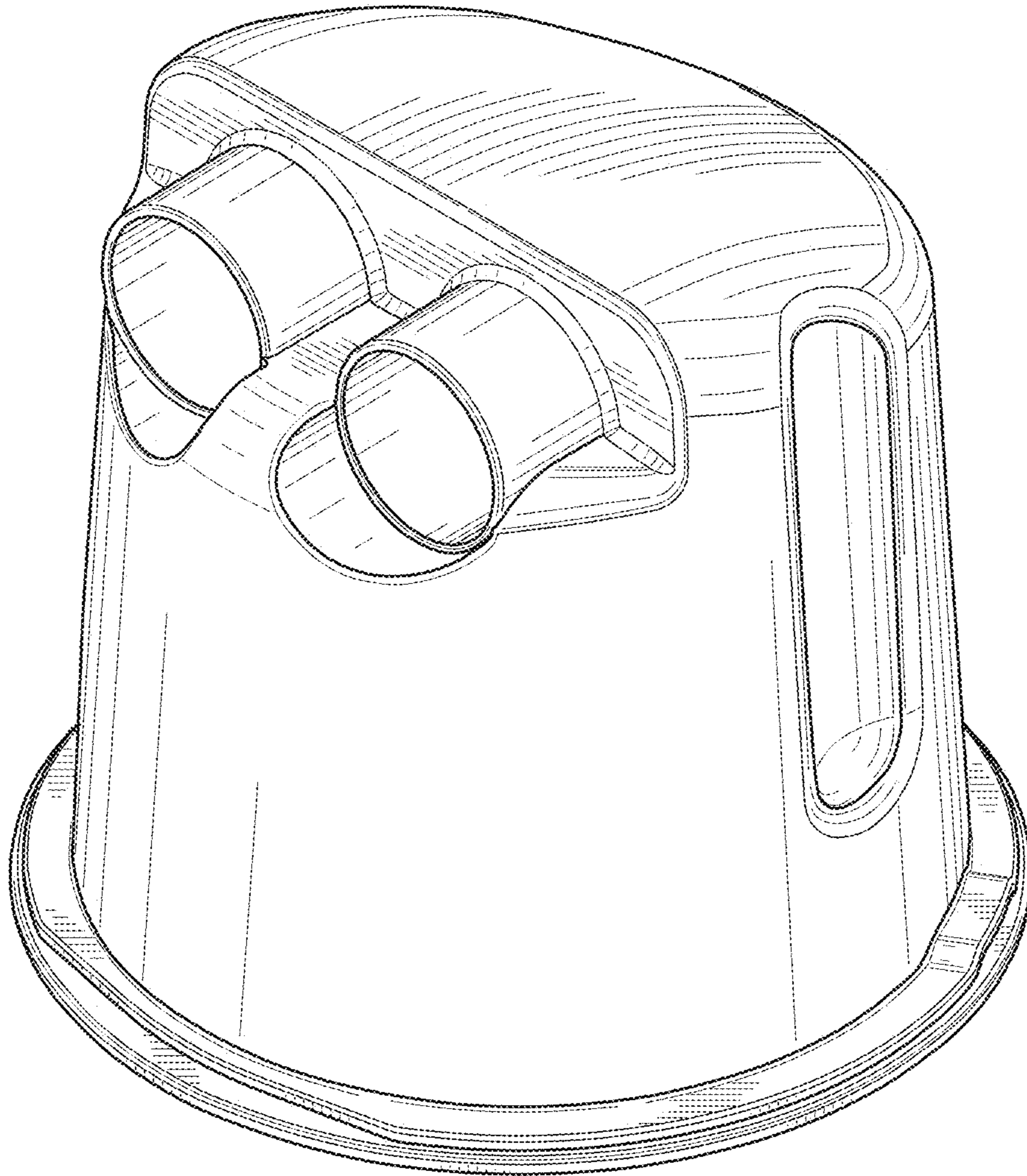




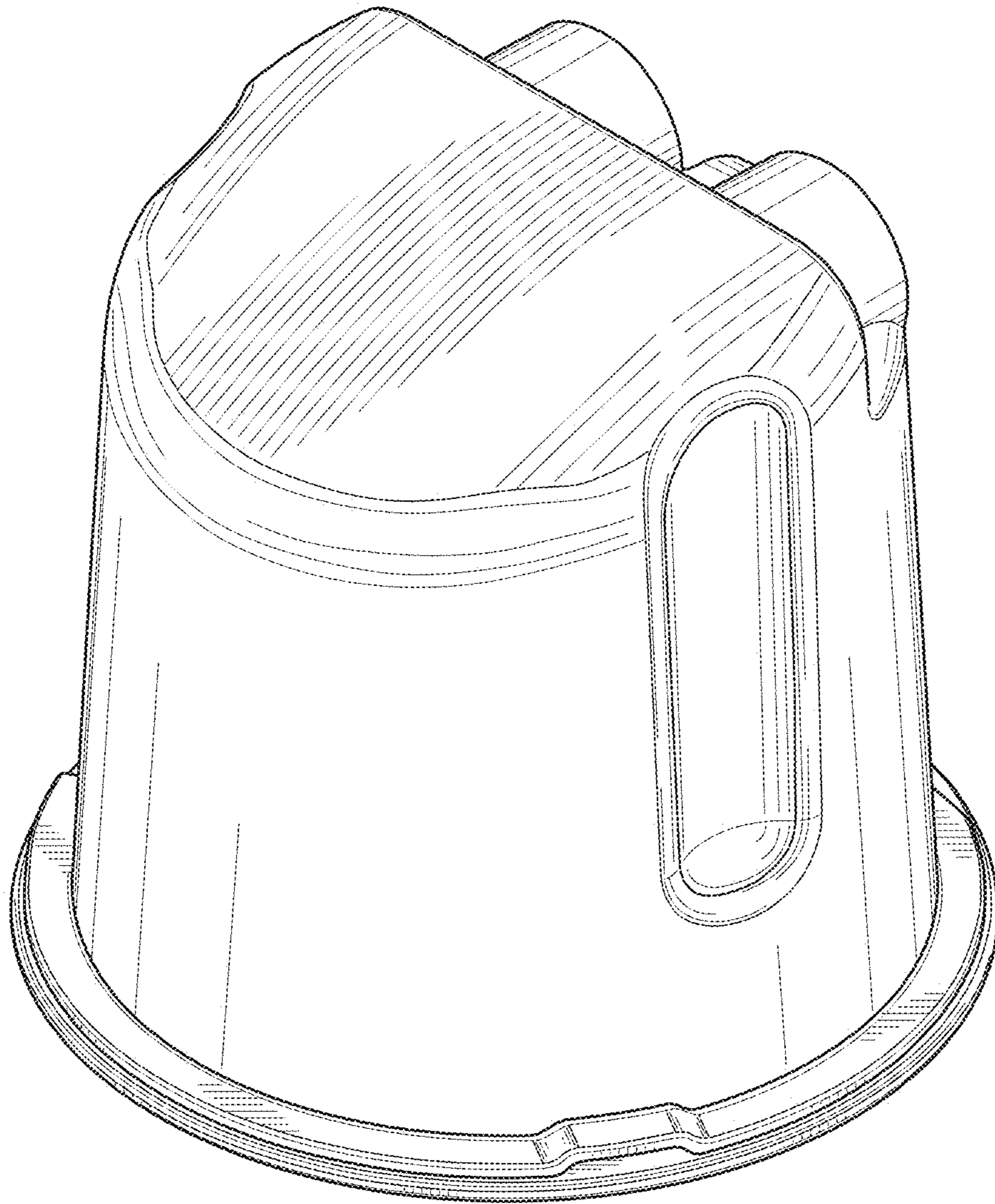
**FIG. 7**



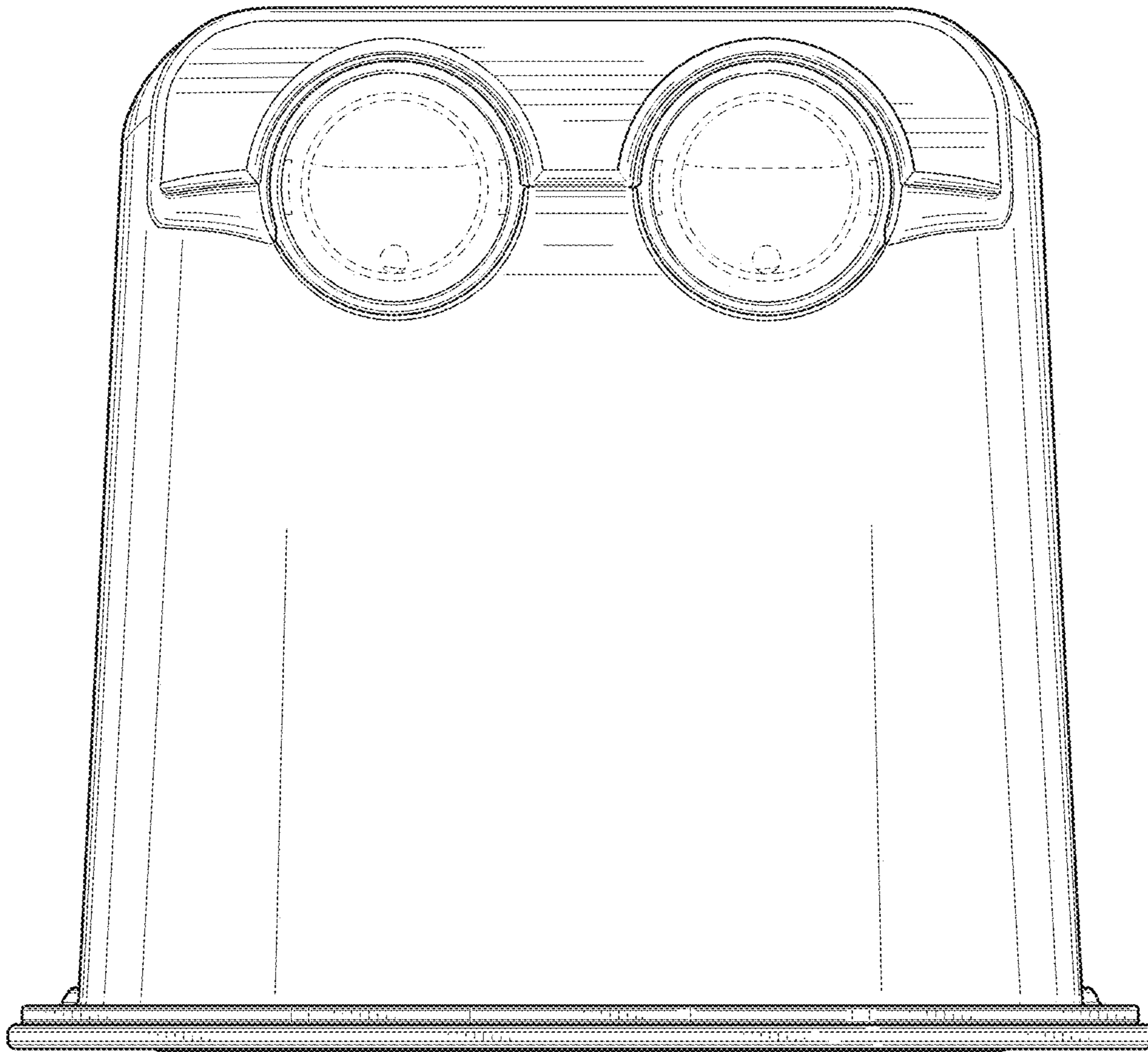
**FIG. 8**



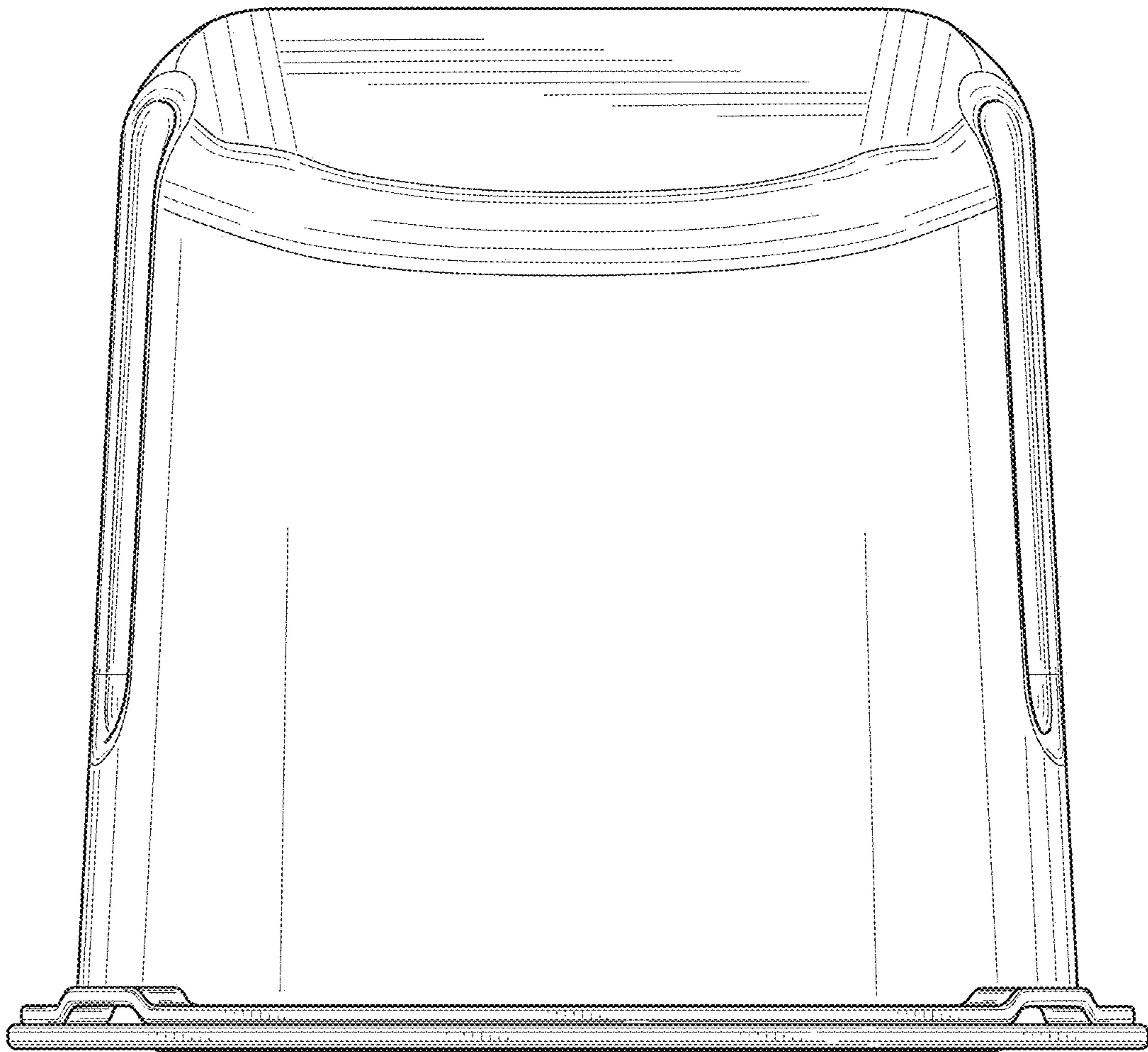
**FIG. 9**



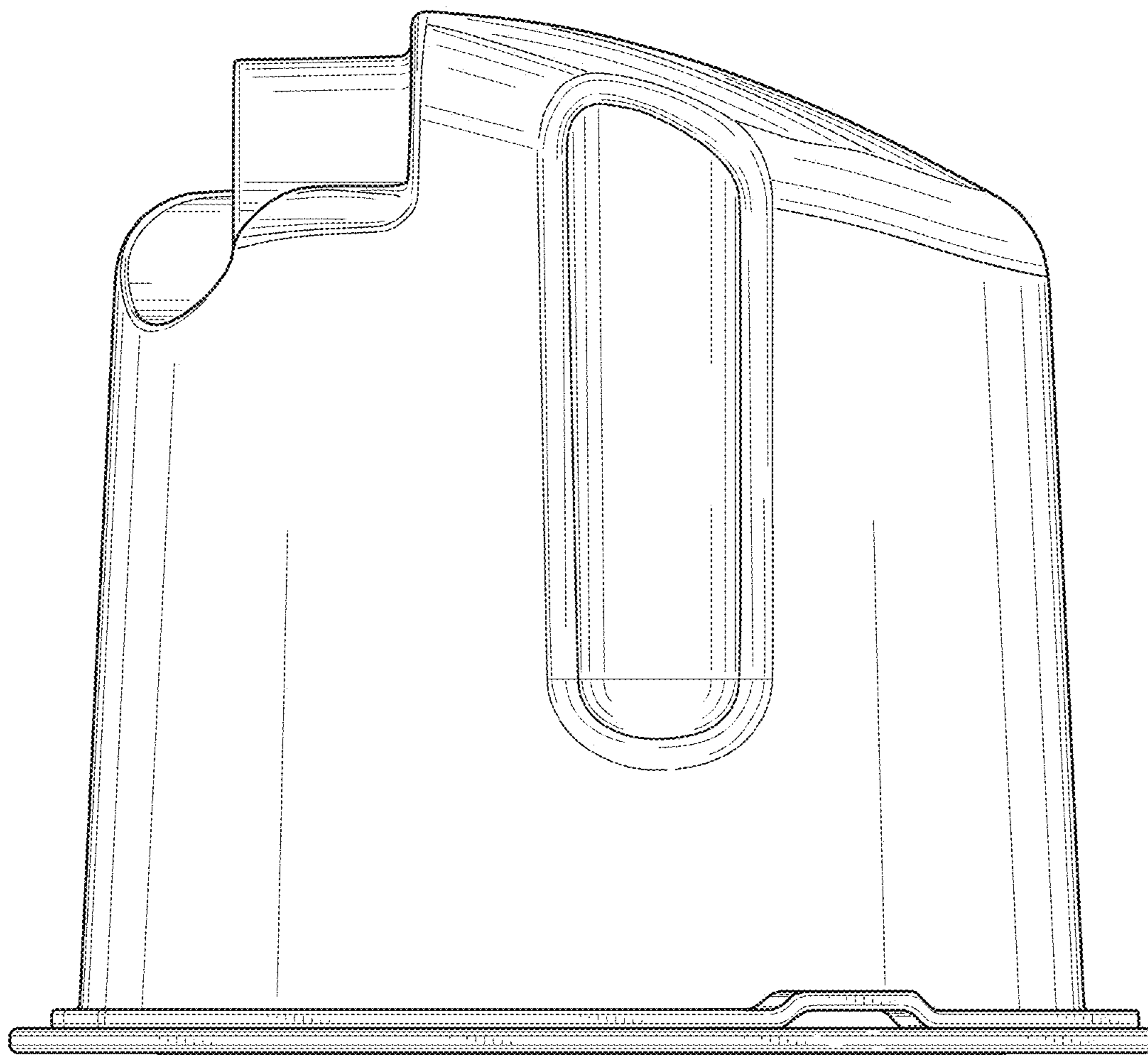
***FIG. 10***



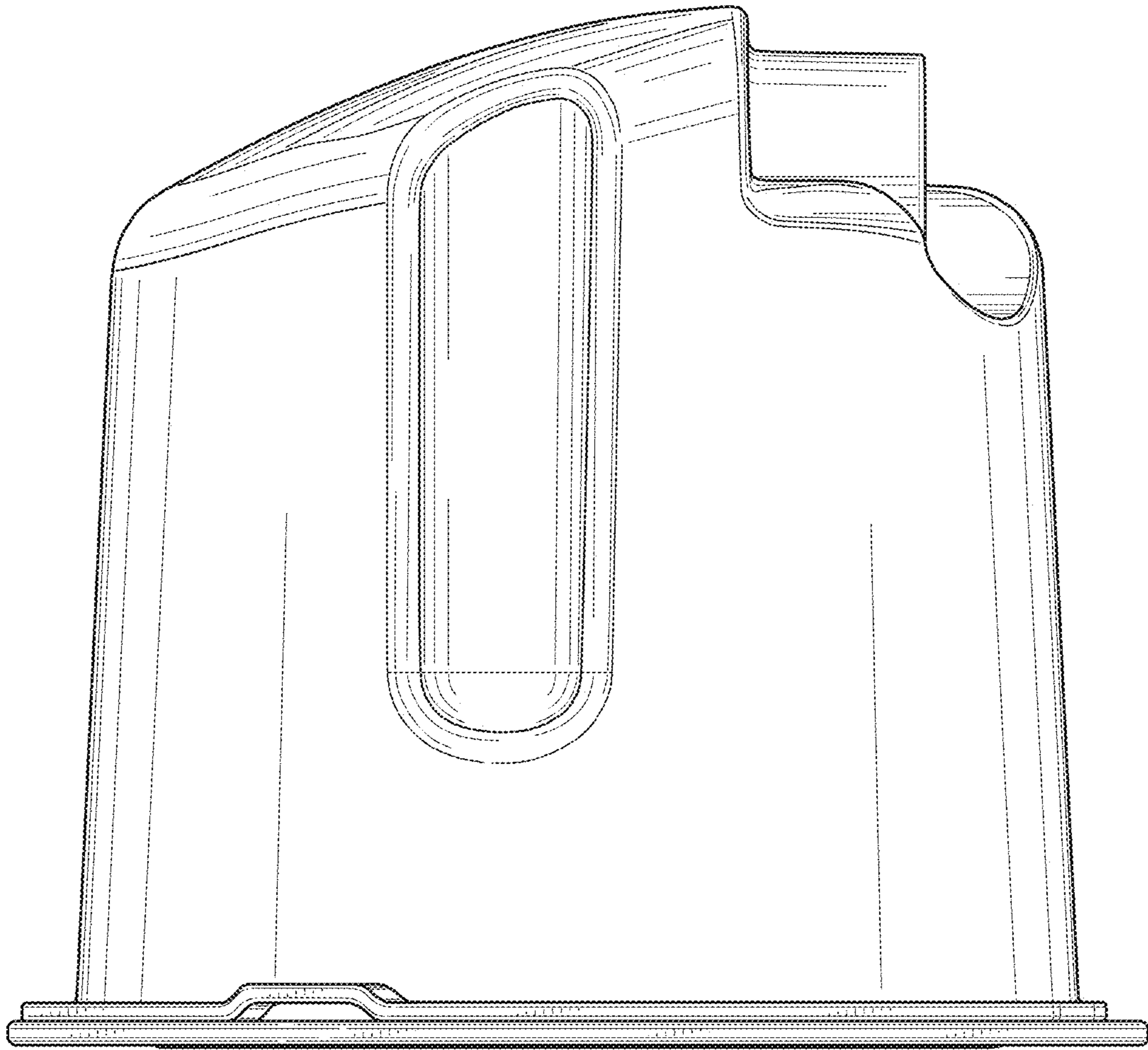
**FIG. 11**



*FIG. 12*

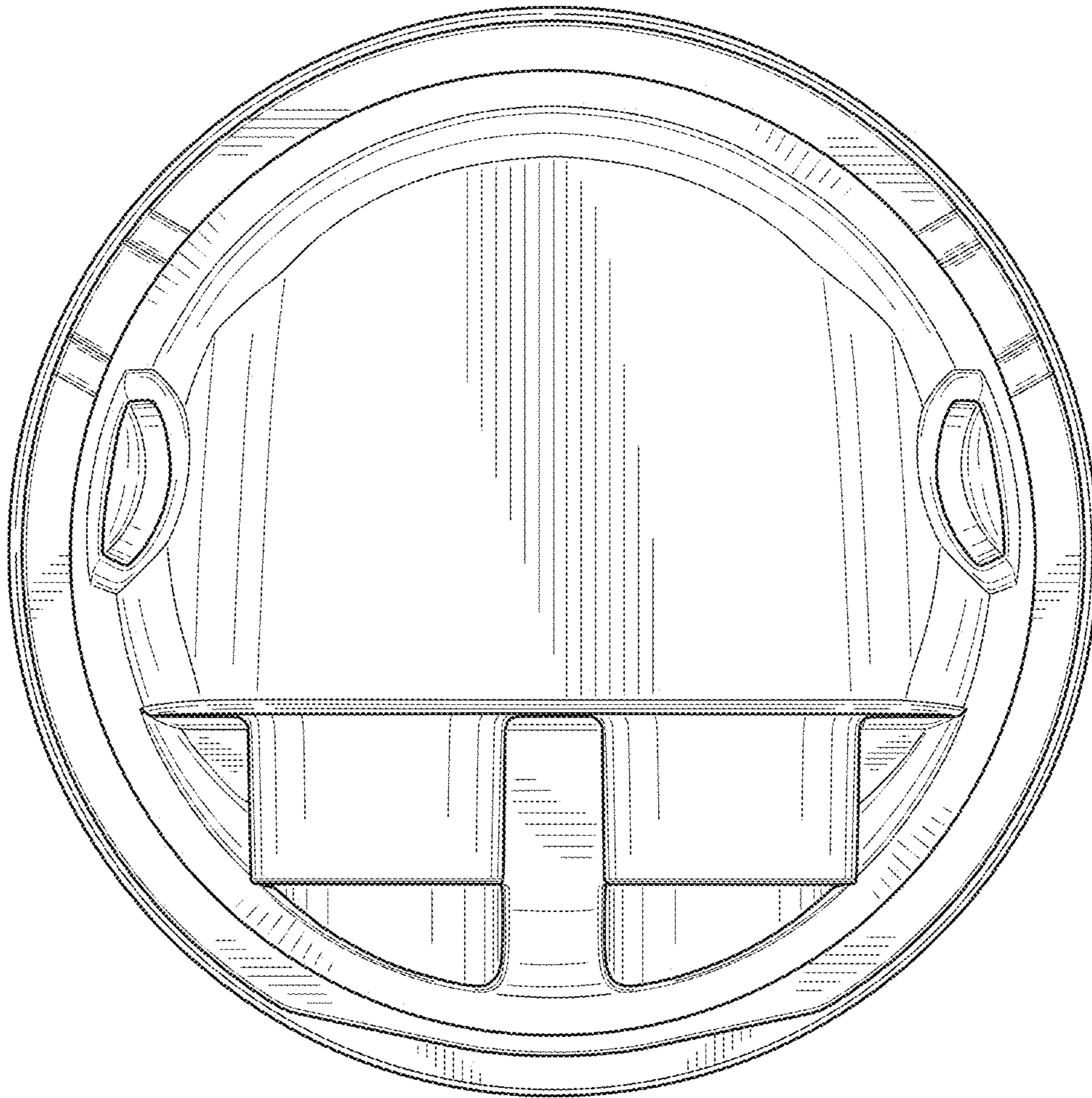


**FIG. 13**

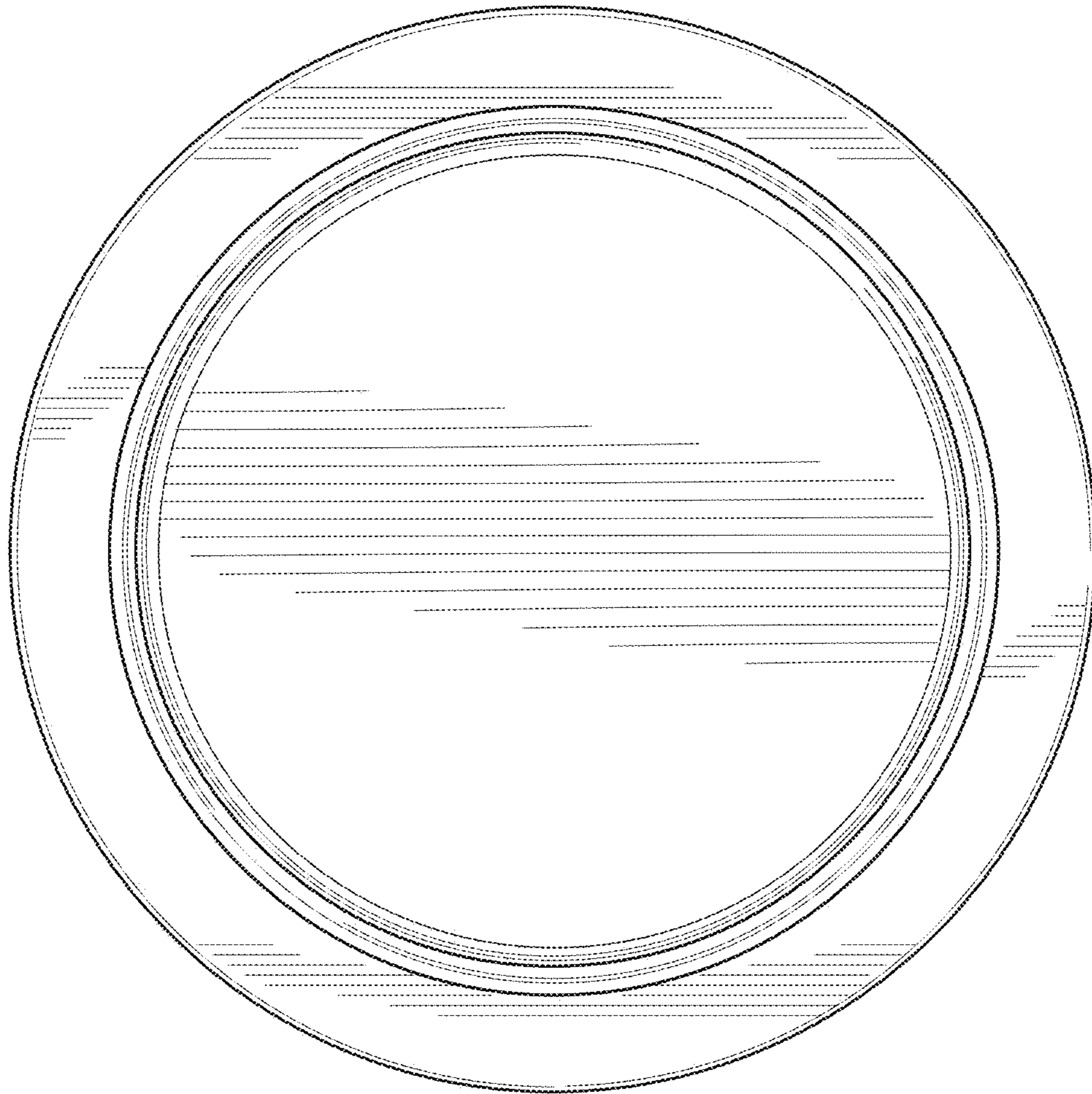


**FIG. 14**

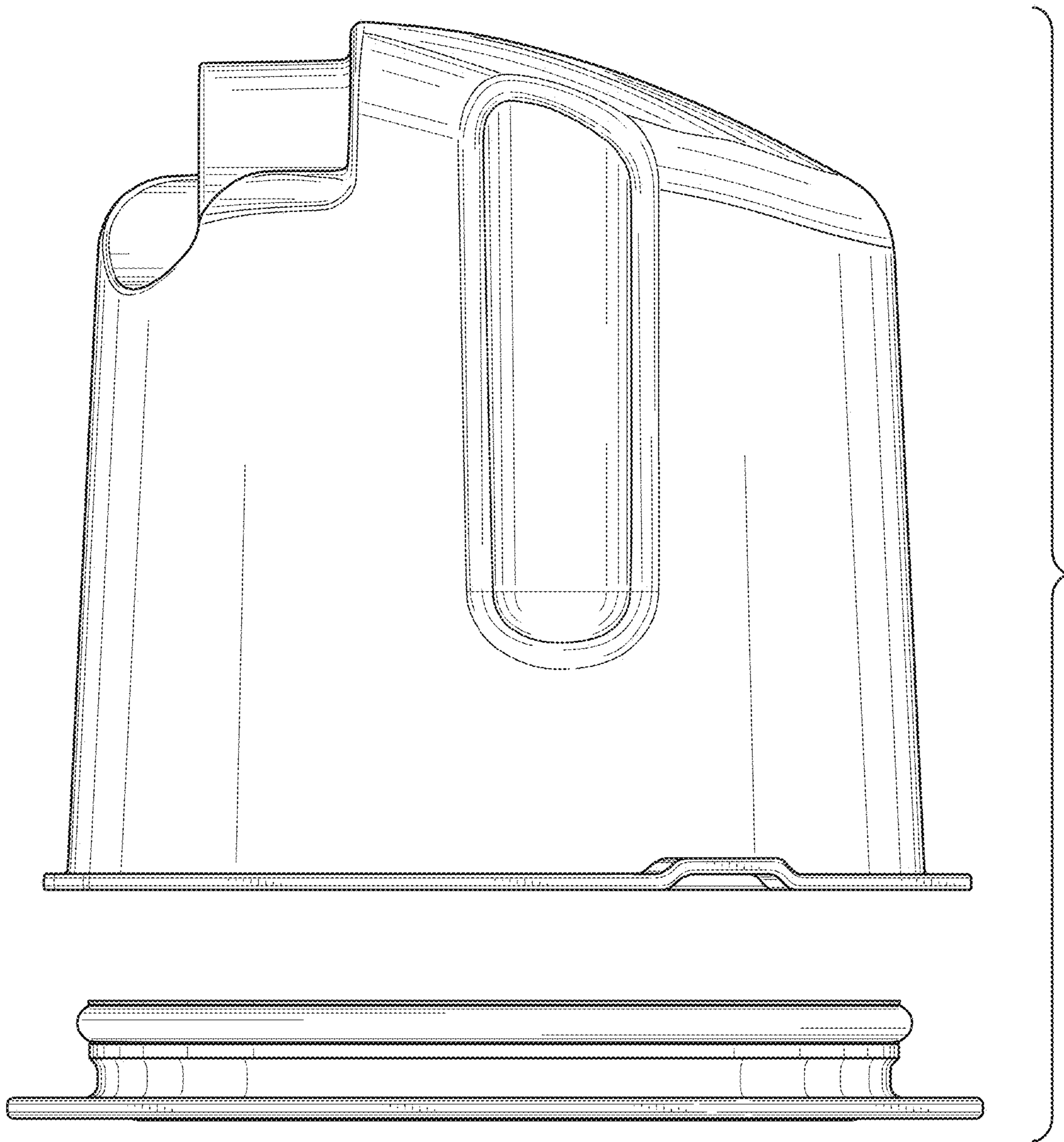




*FIG. 15*



**FIG. 16**



**FIG. 17**