



US00D957619S

(12) **United States Design Patent** (10) **Patent No.:** **US D957,619 S**  
**Norwood et al.** (45) **Date of Patent:** **\*\* \*Jul. 12, 2022**

- (54) **CEILING FAN BLADE**
- (71) Applicant: **Hunter Fan Company**, Memphis, TN (US)
- (72) Inventors: **Bobby Neal Norwood**, Oakland, TN (US); **Christine Marie Holmes Bradley**, Memphis, TN (US); **Charles William Botkin**, Cordova, TN (US)
- (73) Assignee: **Hunter Fan Company**, Memphis, TN (US)
- (\*) Notice: This patent is subject to a terminal disclaimer.
- (\*\*) Term: **15 Years**
- (21) Appl. No.: **29/656,043**
- (22) Filed: **Jul. 10, 2018**
- (51) **LOC (13) Cl.** ..... **23-03**
- (52) **U.S. Cl.**  
USPC ..... **D23/413**
- (58) **Field of Classification Search**  
USPC ..... D23/370, 377, 379, 385, 411-414; D12/214, 339, 344  
CPC ..... F04D 29/38; F04D 29/384; F04D 29/386; F04D 29/388  
See application file for complete search history.

- (56) **References Cited**  
U.S. PATENT DOCUMENTS

1,455,591 A *	5/1923	Lawson .....	B63H 1/26 416/243
2,008,957 A	7/1935	Hueglin	
2,157,999 A	5/1939	Frederick	
2,283,956 A *	5/1942	Smith .....	F03B 3/121 416/223 R
2,592,471 A	4/1952	Sawyer	
2,682,925 A	7/1954	Wosika	

- 2,918,977 A 12/1959 Ely
- 3,053,325 A \* 9/1962 Ferreira ..... B64C 11/16  
416/228
- 3,891,349 A 6/1975 Woollenweber, Jr.  
(Continued)

FOREIGN PATENT DOCUMENTS

- CN 202073834 U 12/2011
- CN 202132275 U 2/2012
- (Continued)

OTHER PUBLICATIONS

<https://www.myfan.com.au/ceiling-fans/loft/>, Item specification for the Loft 60" Ceiling Fan Collection by Emerson—High Performance, 6 pages, item accessed on May 8, 2018.  
(Continued)

*Primary Examiner* — Sharon S Oum  
(74) *Attorney, Agent, or Firm* — McGarry Bair PC

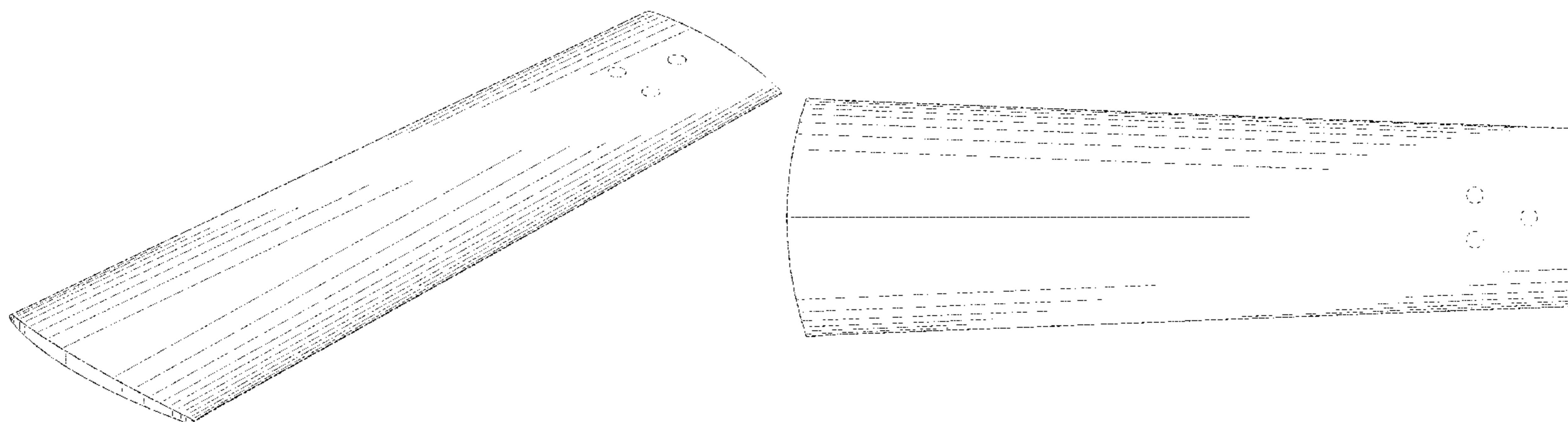
(57) **CLAIM**

The ornamental design for a ceiling fan blade, as shown and described.

**DESCRIPTION**

FIG. 1 is a top perspective view of a ceiling fan blade showing our new design;  
 FIG. 2 is a bottom perspective view thereof;  
 FIG. 3 is a top view thereof;  
 FIG. 4 is a bottom view thereof;  
 FIG. 5 is a rear view thereof, looking at a root of the ceiling fan blade;  
 FIG. 6 is a front view thereof, looking at a tip of the ceiling fan blade;  
 FIG. 7 is a left side view thereof;  
 FIG. 8 is a right side view thereof; and,  
 FIG. 9 is an enlarged view of the tip of the ceiling fan blade of FIG. 8.  
 Portions of the ceiling fan blade shown in broken lines form no part of the claimed design.

**1 Claim, 7 Drawing Sheets**



(56)

References Cited

U.S. PATENT DOCUMENTS

4,046,489 A 9/1977 Fairchild  
 4,275,993 A 6/1981 Sprengling  
 4,358,245 A 11/1982 Gray  
 4,630,787 A \* 12/1986 Middlebrook ..... B64C 11/18  
 244/35 R  
 4,662,819 A 5/1987 Lakowske  
 4,892,460 A 1/1990 Volk  
 D312,688 S \* 12/1990 Mason ..... D23/377  
 D314,046 S \* 1/1991 Yen ..... D23/377  
 D331,101 S \* 11/1992 Rezek ..... D23/377  
 5,193,983 A 3/1993 Shyu  
 5,230,850 A 7/1993 Lewis  
 5,244,347 A 9/1993 Gallivan  
 5,401,138 A 3/1995 Mosiewicz  
 D364,678 S \* 11/1995 Lee ..... D23/377  
 5,575,624 A 11/1996 Bogage  
 5,681,145 A 10/1997 Neely  
 D412,571 S \* 8/1999 Lee ..... D23/377  
 6,039,533 A 3/2000 McCabe  
 6,039,541 A 3/2000 Parker  
 6,146,097 A 11/2000 Bradt  
 6,183,201 B1 2/2001 Maby  
 6,244,821 B1 5/2001 Takahashi et al.  
 6,250,886 B1 6/2001 Immell  
 6,402,475 B1 6/2002 Chen  
 6,508,627 B2 1/2003 Gerken et al.  
 D482,436 S \* 11/2003 Young ..... D23/377  
 6,685,436 B2 2/2004 Huang  
 6,884,034 B1 4/2005 Parker et al.  
 D513,315 S \* 12/2005 Hidalgo ..... D23/377  
 D514,685 S \* 2/2006 Flores ..... D23/377  
 D521,142 S \* 5/2006 Gerhardt ..... D23/377  
 D521,627 S \* 5/2006 Flores ..... D23/377  
 D527,097 S \* 8/2006 Ertze ..... D23/413  
 D536,435 S \* 2/2007 Tinen ..... D23/377  
 D536,440 S \* 2/2007 Clymer ..... D23/413  
 7,210,910 B1 5/2007 Parker et al.  
 7,284,960 B2 10/2007 Aynsley  
 D573,243 S \* 7/2008 Pan ..... D23/377  
 D574,945 S \* 8/2008 Hidalgo ..... D23/377  
 D594,551 S \* 6/2009 Parker ..... F04D 29/38  
 D23/413  
 D594,958 S \* 6/2009 Hidalgo ..... D23/377  
 D600,339 S \* 9/2009 Searle ..... D23/377  
 D609,799 S \* 2/2010 Lee ..... D23/377  
 7,665,967 B1 \* 2/2010 Parker ..... F04D 29/38  
 416/223 R  
 D627,046 S \* 11/2010 Wang ..... D23/377  
 D627,869 S \* 11/2010 Pan ..... D23/377  
 7,927,071 B2 4/2011 Parker  
 8,066,480 B2 11/2011 Madsen  
 8,162,613 B2 4/2012 Oleson  
 D679,795 S \* 4/2013 Allen ..... D23/377  
 8,529,212 B2 9/2013 Smith  
 8,579,588 B1 11/2013 Boyd  
 8,721,305 B2 5/2014 Oleson  
 D710,489 S \* 8/2014 Shurtleff ..... D23/377  
 D725,548 S \* 3/2015 Herald ..... D12/16.1  
 9,011,099 B2 4/2015 Wortman  
 9,360,020 B2 6/2016 Janecek  
 9,523,371 B2 12/2016 Hollan  
 9,546,665 B2 1/2017 Stull

D778,421 S \* 2/2017 Hidalgo ..... D23/377  
 D785,155 S \* 4/2017 Wang ..... D23/377  
 9,726,192 B2 8/2017 Whitley  
 D797,274 S \* 9/2017 Wang ..... D23/411  
 D798,432 S \* 9/2017 Badarello ..... D23/377  
 D799,664 S \* 10/2017 Wang ..... D23/377  
 D801,516 S \* 10/2017 Wang ..... D23/413  
 D804,633 S \* 12/2017 Holmes ..... D23/377  
 D808,511 S \* 1/2018 Hidalgo ..... D23/377  
 D814,622 S \* 4/2018 Gajewski ..... D23/377  
 D816,826 S \* 5/2018 Johnson ..... D23/377  
 D821,559 S \* 6/2018 Hidalgo ..... D23/377  
 D849,224 S \* 5/2019 Gardner ..... D23/377  
 D851,234 S \* 6/2019 Hidalgo ..... D23/377  
 D880,680 S \* 4/2020 Norwood ..... D23/413  
 D880,681 S \* 4/2020 Norwood ..... D23/413  
 D880,682 S \* 4/2020 Norwood ..... D23/413  
 D880,683 S \* 4/2020 Norwood ..... D23/413  
 D880,684 S \* 4/2020 Norwood ..... D23/413  
 D902,377 S \* 11/2020 Norwood ..... D23/413  
 D903,091 S \* 11/2020 Norwood ..... D23/413  
 D903,092 S \* 11/2020 Norwood ..... D23/413  
 D905,226 S \* 12/2020 Norwood ..... D23/413  
 D905,227 S \* 12/2020 Norwood ..... D23/413  
 D906,511 S \* 12/2020 Norwood ..... D23/413  
 2007/0154315 A1 7/2007 Bucher  
 2008/0008596 A1 1/2008 Aynsley  
 2010/0104461 A1 4/2010 Smith  
 2012/0003098 A1 1/2012 Lewis  
 2013/0189109 A1 7/2013 Noble  
 2015/0037164 A1 2/2015 Fizer  
 2017/0167495 A1 6/2017 Santolucito  
 2020/0018322 A1 \* 1/2020 Norwood ..... F04D 25/088

FOREIGN PATENT DOCUMENTS

CN 202646153 U 1/2013  
 CN 103410777 A 11/2013  
 CN 205243900 U 5/2016  
 CN 206845502 U 1/2018  
 EP 0292086 B1 5/1987  
 EP 0610273 B1 10/1991  
 EP 1173359 B1 2/1999  
 EP 1205668 B1 11/2000  
 EP 1588024 B1 1/2003  
 EP 1619392 B1 7/2004  
 EP 2397783 A1 6/2010  
 EP 2397784 A1 6/2010  
 EP 2761169 B1 9/2011  
 IN 201731045349 A 1/2018  
 JP 2007170292 A2 7/2007  
 KR 101331103 B1 11/2013  
 TW M279748 Y 11/2005  
 WO 2017164586 A1 9/2017

OTHER PUBLICATIONS

<http://www.multi-wing.net/blade-profiles/airfoil-fan-blades/>, Item specification for Airfoil Fan Blades, 2 pages, item accessed on May 8, 2018.  
<http://www.multi-wing.net/downloads/>, Item specification for Multi-Wing pdf brochure downloads, 2 pages, item accessed on May 8, 2018.

\* cited by examiner

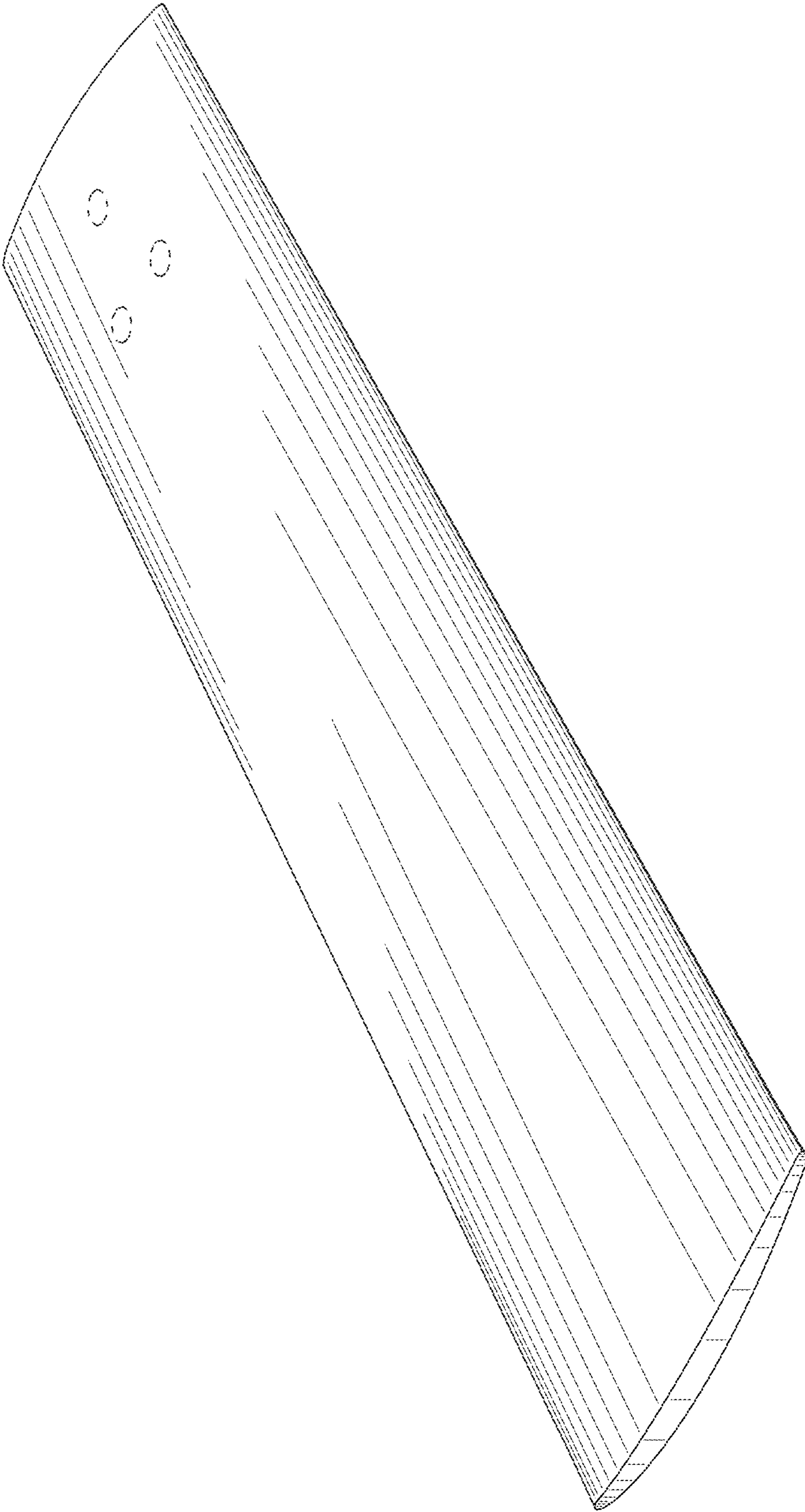


FIG. 1

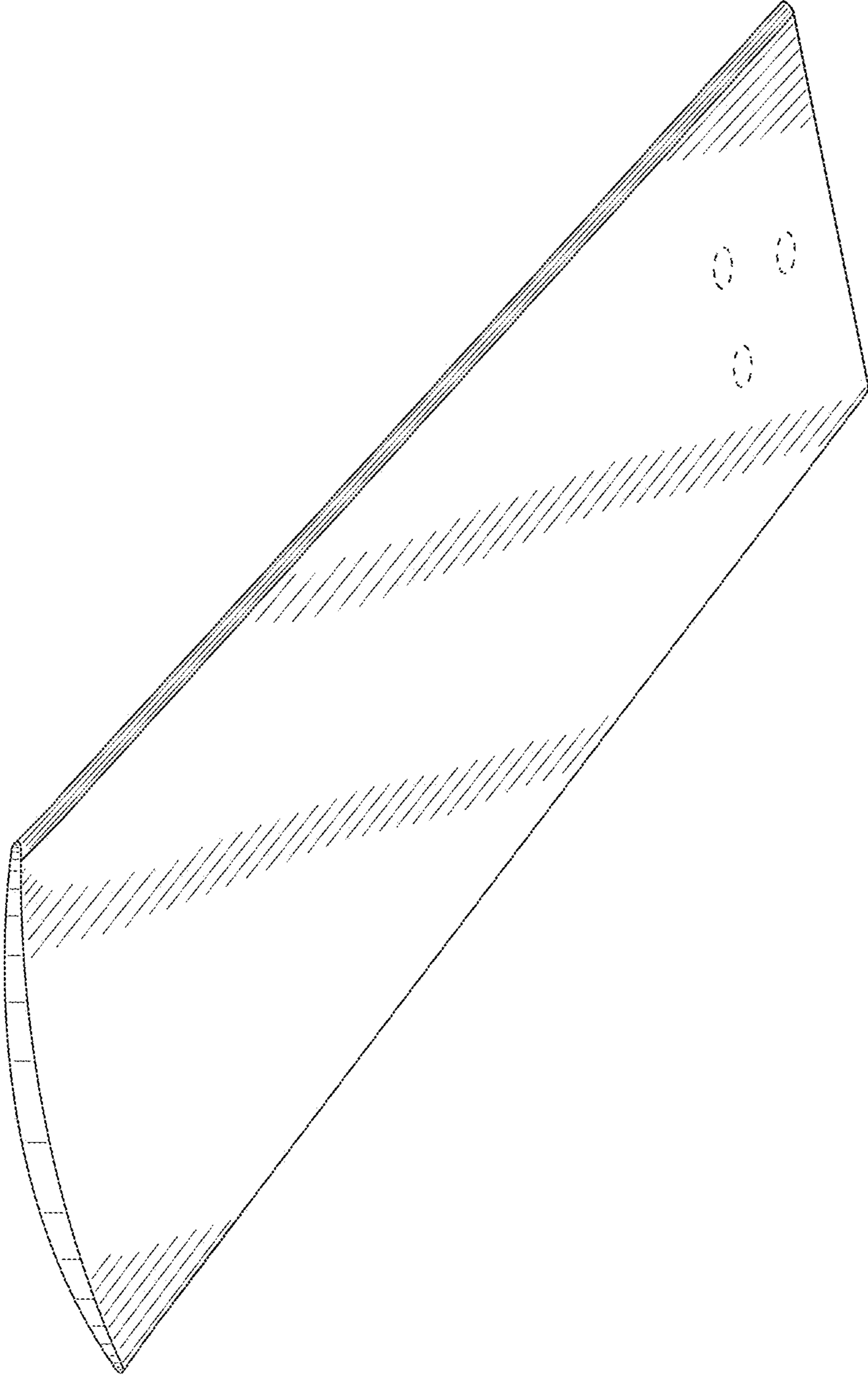
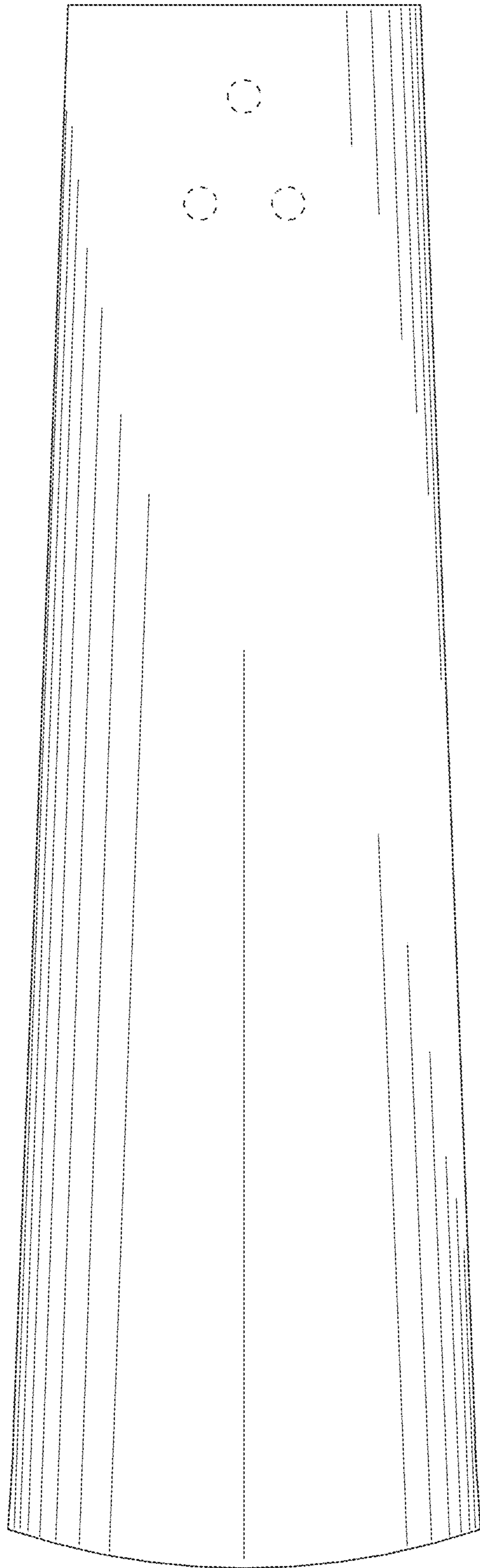


FIG. 2



**FIG. 3**

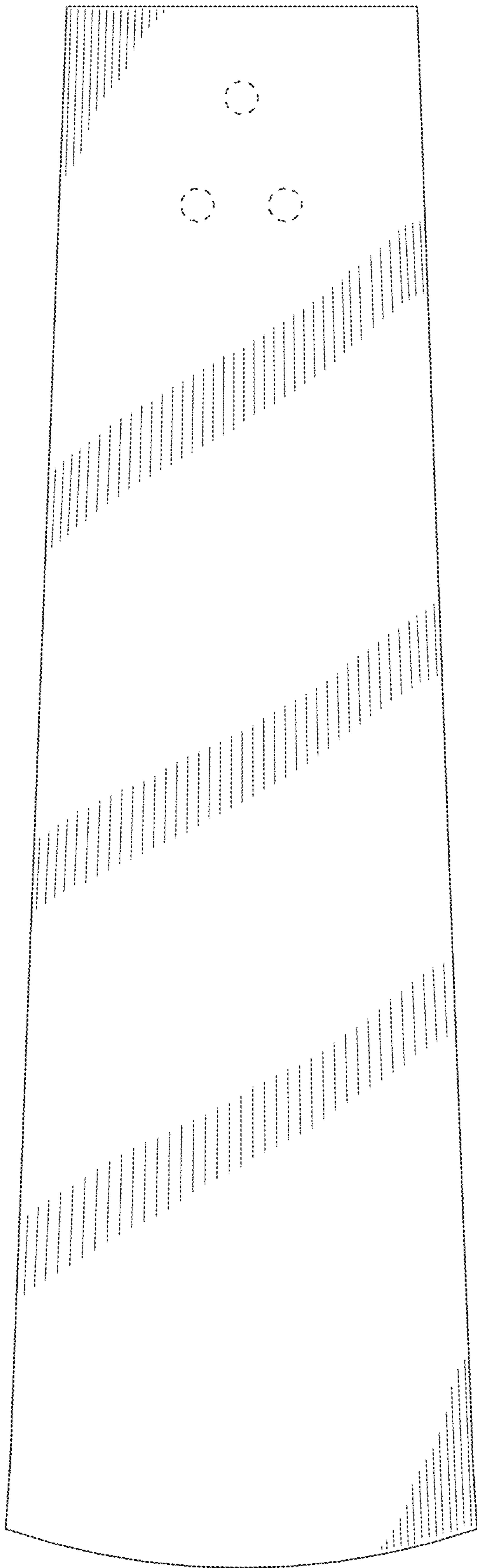
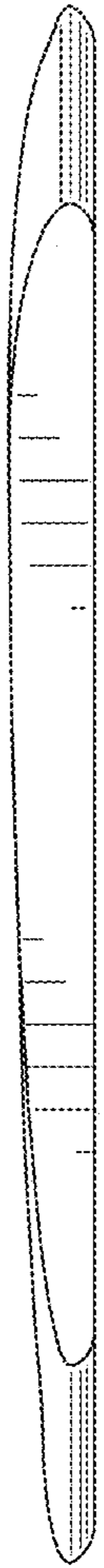


FIG. 4



**FIG. 5**



**FIG. 6**

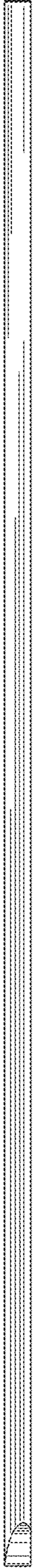


FIG. 7

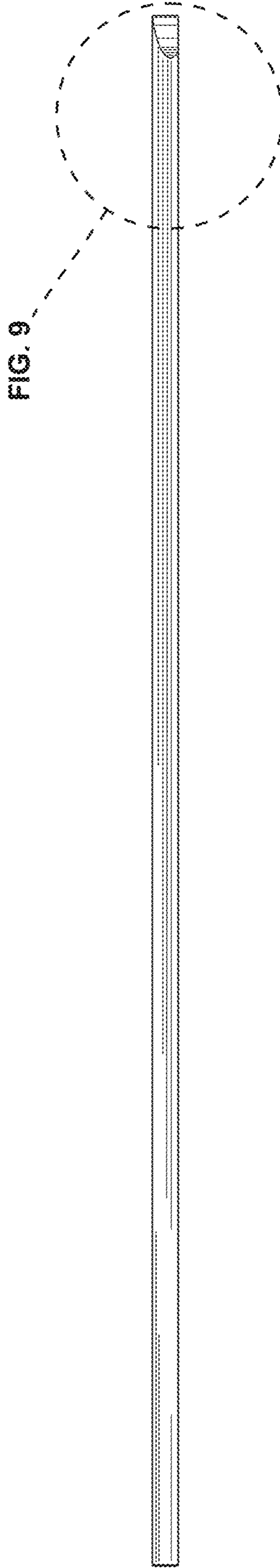
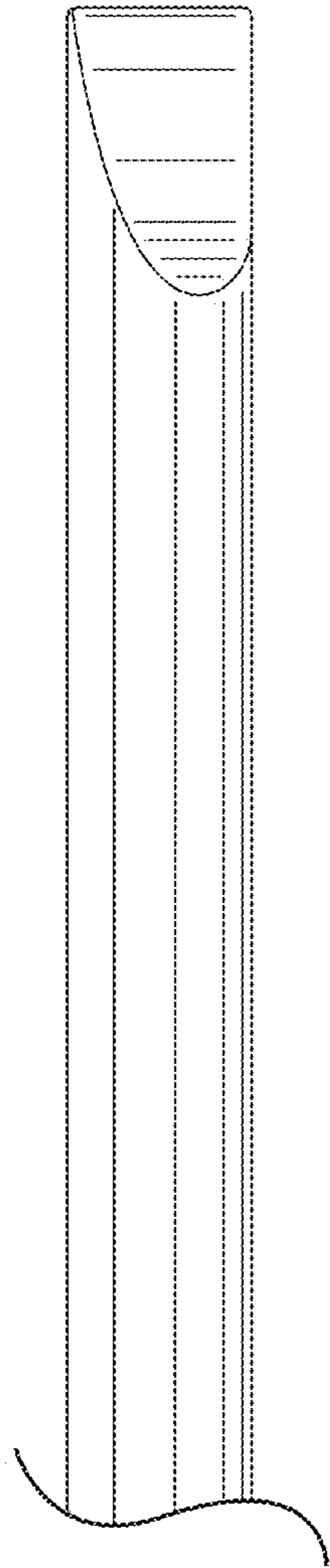


FIG. 8





**FIG. 9**