



US00D957616S

(12) **United States Design Patent**  
**Dalton**

(10) **Patent No.:** **US D957,616 S**

(45) **Date of Patent:** **\*\* Jul. 12, 2022**

- (54) **FAN**
- (71) Applicant: **Delta T, LLC**, Lexington, KY (US)
- (72) Inventor: **Daniel Patrick Dalton**, Lexington, KY (US)
- (73) Assignee: **DELTA T, LLC**, Lexington, KY (US)
- (\*\*) Term: **15 Years**
- (21) Appl. No.: **29/739,764**
- (22) Filed: **Jun. 29, 2020**
- (51) **LOC (13) Cl.** ..... **23-03**
- (52) **U.S. Cl.**  
USPC ..... **D23/411**; D26/59; D23/377
- (58) **Field of Classification Search**  
USPC ..... D23/370, 377, 379, 381–382, 385,  
D23/411–414; D26/59  
CPC ..... F04D 25/088; F04D 29/38; F04D 29/384;  
F04D 29/386; F21V 33/0096  
See application file for complete search history.

D692,120 S	10/2013	Noble et al.	
D693,046 S *	11/2013	Hokazono .....	D26/89
D700,984 S *	3/2014	Yang .....	D26/59
D704,819 S *	5/2014	Wang .....	D23/411
D705,975 S	5/2014	Hedstrom et al.	
D705,976 S	5/2014	Hedstrom et al.	
D706,480 S	6/2014	Hedstrom et al.	
D728,775 S *	5/2015	Gajewski .....	D23/411
D747,452 S *	1/2016	Gajewski .....	D23/377
D756,501 S *	5/2016	Park .....	D23/385
D765,299 S	8/2016	Ladnier	
D770,027 S	10/2016	Noble et al.	
D775,319 S *	12/2016	Park .....	D23/385
D779,052 S *	2/2017	Gajewski .....	D26/59
D779,093 S *	2/2017	Gajewski .....	D26/59
D783,883 S	4/2017	Cortez	
D797,917 S *	9/2017	Oleson .....	D23/385
D799,020 S *	10/2017	Guthrie .....	D26/59
D800,367 S	10/2017	Ladnier et al.	
D808,004 S	1/2018	Noble et al.	

(Continued)

*Primary Examiner* — Sharon S Oum

(74) *Attorney, Agent, or Firm* — Dickinson Wright PLLC;  
Andrew D. Dorisio

(57) **CLAIM**

The ornamental design for a fan, as shown and described.

**DESCRIPTION**

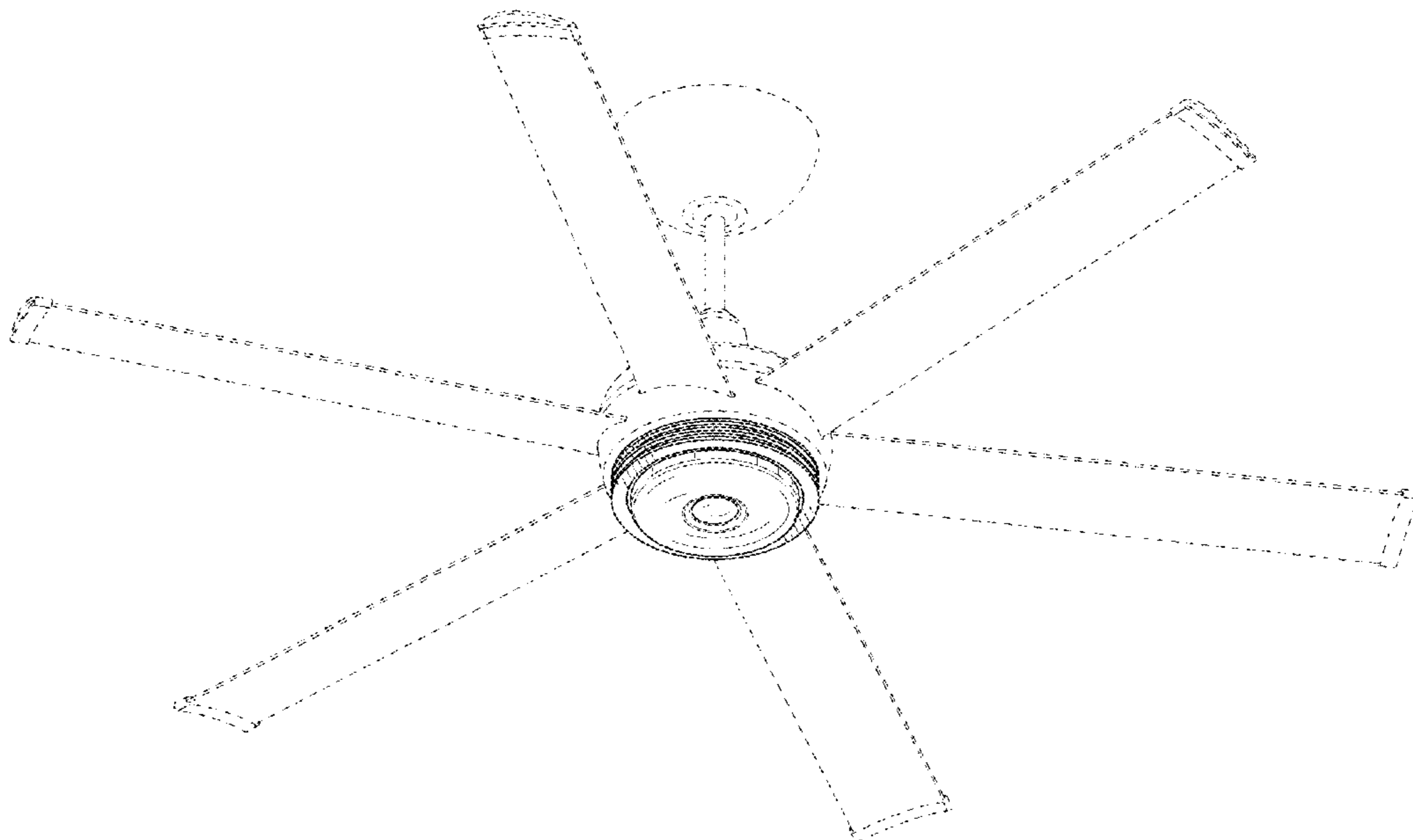
FIG. 1 is a bottom perspective view of my design for a fan; FIG. 2 is a top perspective view of the fan; FIG. 3 is a front view of the fan, the rear view being a mirror image thereof; FIG. 4 is a left side view of the fan, the right side view being a mirror image thereof; FIG. 5 is a top view of the fan; and, FIG. 6 is a bottom view of the fan. The broken line depictions of portions of the fan form no part of the claimed design.

**1 Claim, 6 Drawing Sheets**

(56) **References Cited**

U.S. PATENT DOCUMENTS

D312,139 S *	11/1990	Wang .....	D26/88
D345,790 S *	4/1994	Caldwell .....	D23/385
D356,152 S *	3/1995	Collmar .....	D23/385
D397,482 S *	8/1998	Binsukor .....	D26/85
D400,278 S *	10/1998	Binsukor .....	D26/119
D444,588 S *	7/2001	Lin .....	D26/85
D516,199 S *	2/2006	Frampton .....	D23/411
D530,039 S *	10/2006	Blackman .....	D26/85
D541,958 S *	5/2007	Holldorff .....	D26/24
D577,810 S *	9/2008	Hidalgo .....	D23/411
D583,460 S *	12/2008	Hidalgo .....	D23/411
D583,923 S *	12/2008	Bucher .....	D23/377
D612,476 S	3/2010	Noble	
D641,075 S *	7/2011	Fizer .....	D23/411



(56)

**References Cited**

U.S. PATENT DOCUMENTS

D811,462 S \* 2/2018 Axelsson ..... D16/203  
D821,008 S \* 6/2018 Guthrie ..... D23/386  
D823,511 S \* 7/2018 Wang ..... D26/54  
D857,874 S \* 8/2019 Hidalgo ..... D26/59  
2010/0278637 A1\* 11/2010 Oleson ..... F04D 27/004  
415/121.3  
2017/0167509 A1\* 6/2017 Selig ..... F04D 25/06

\* cited by examiner

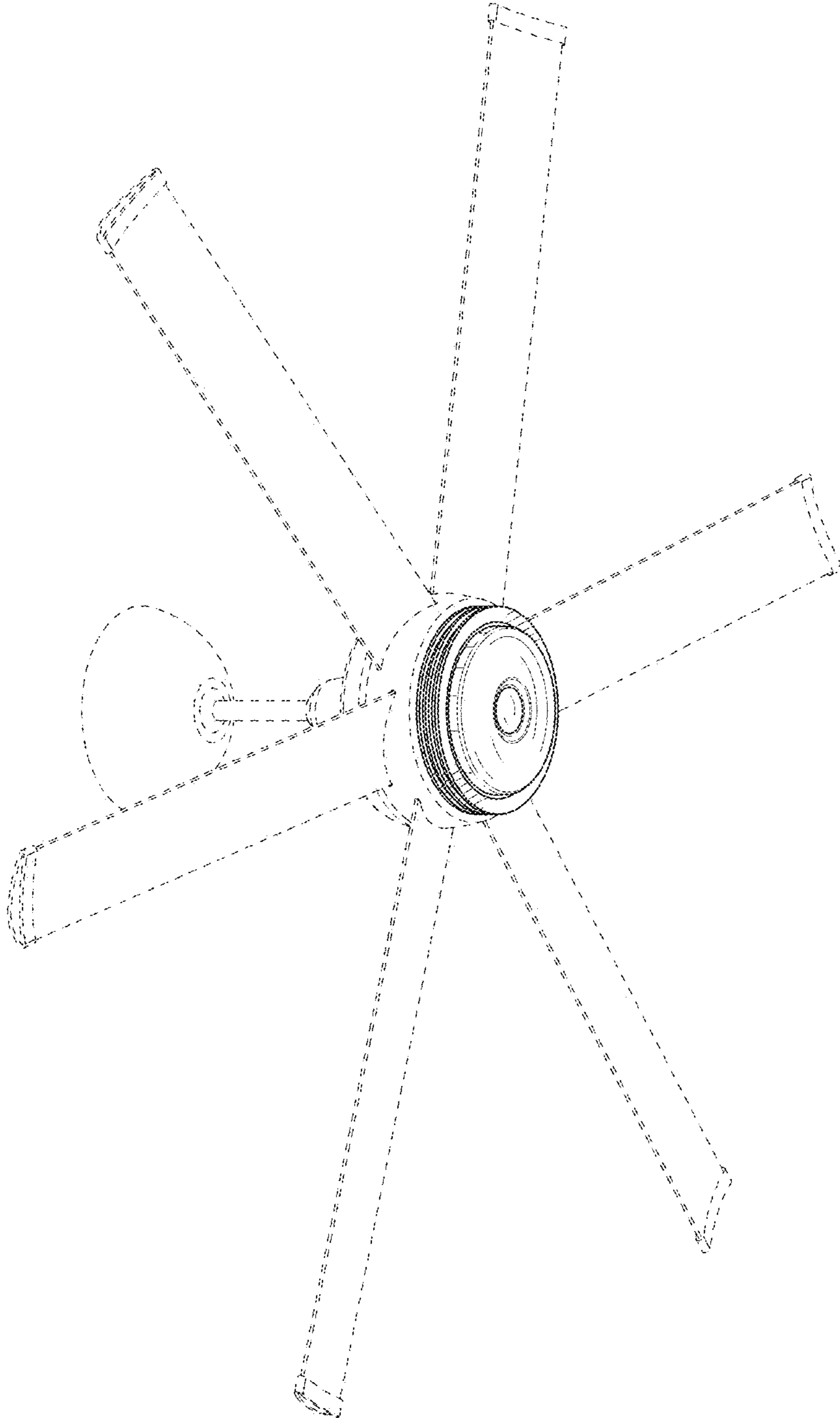


FIG. 1

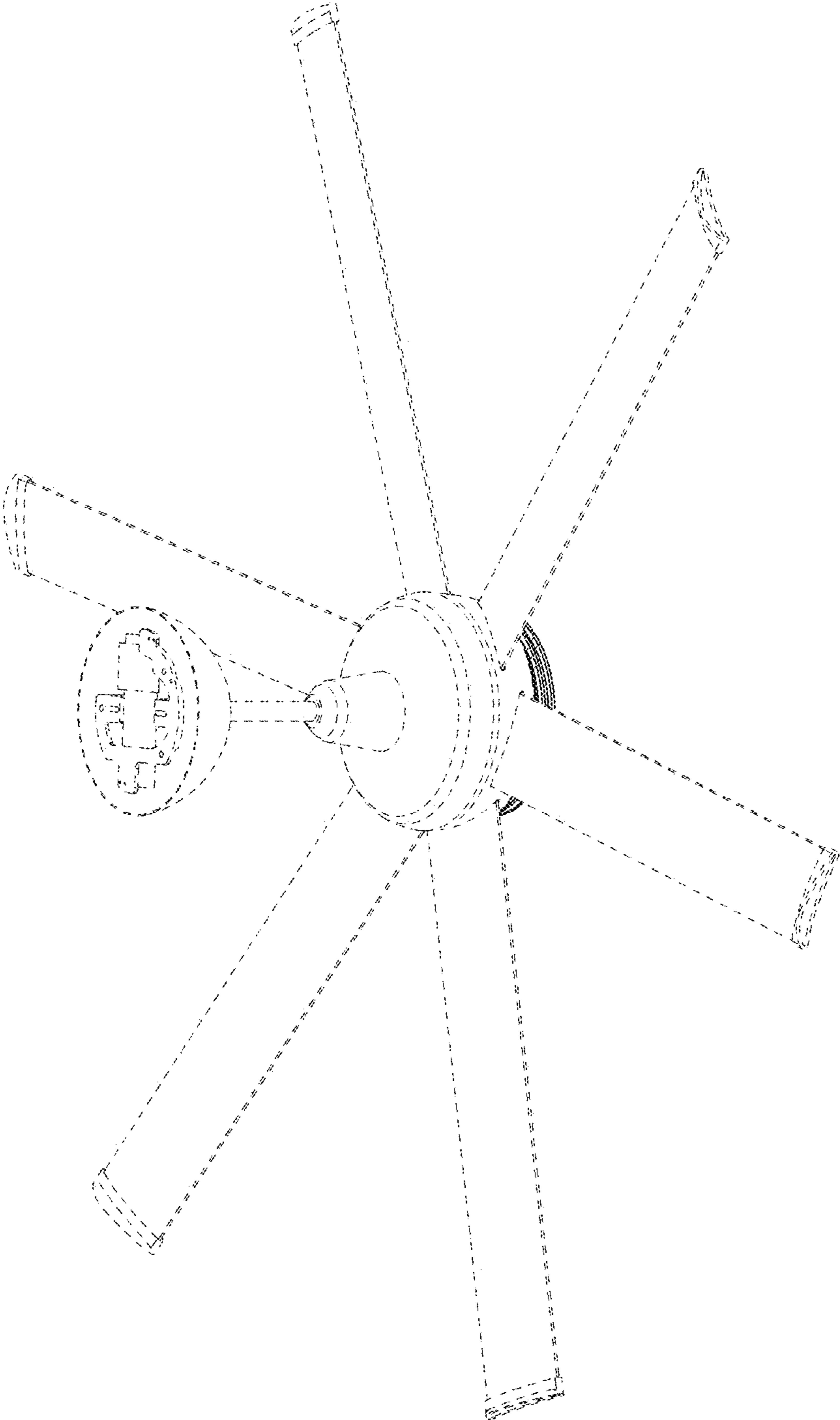


FIG. 2

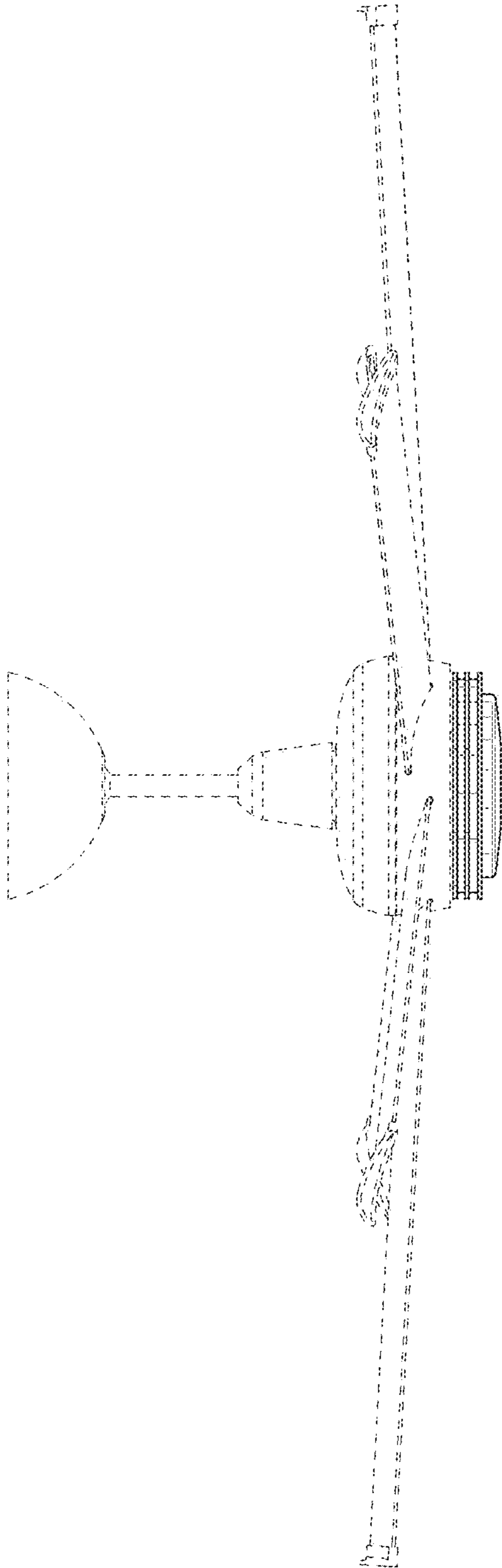


FIG. 3

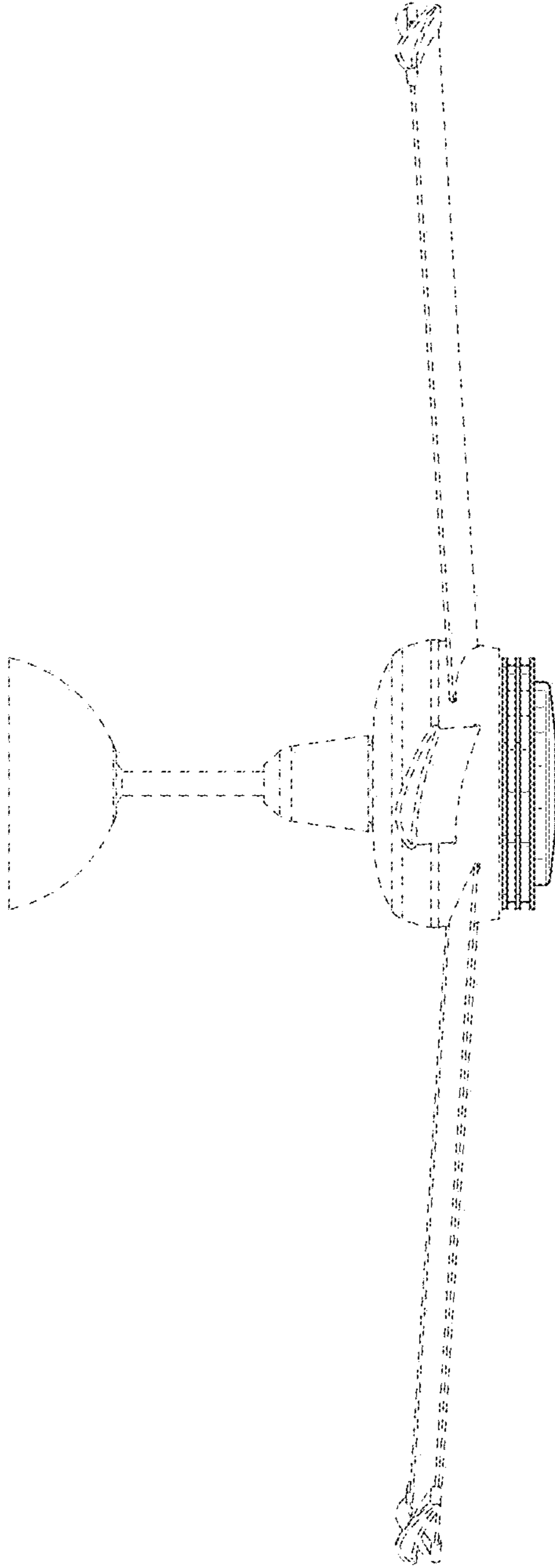


FIG. 4

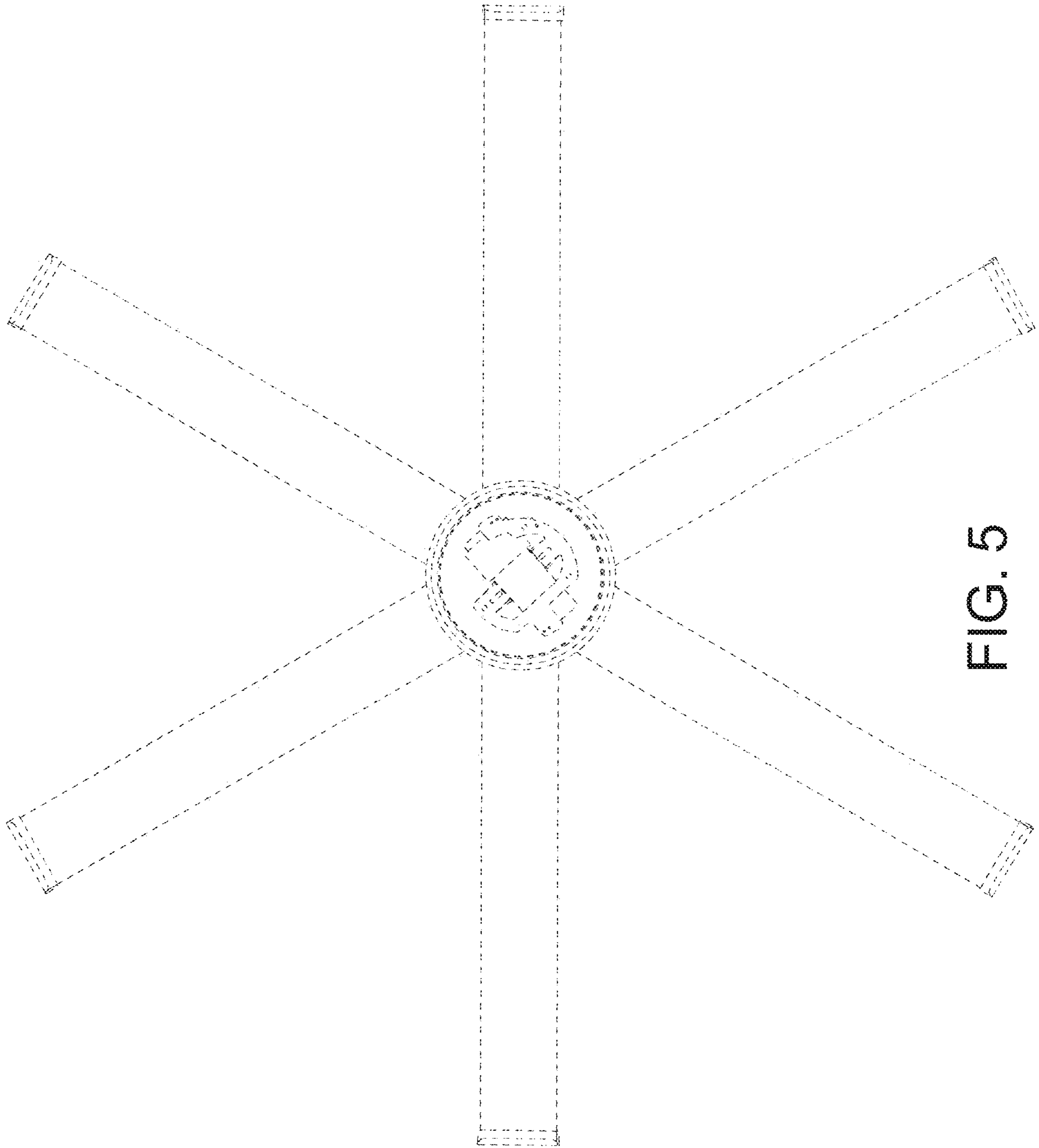


FIG. 5

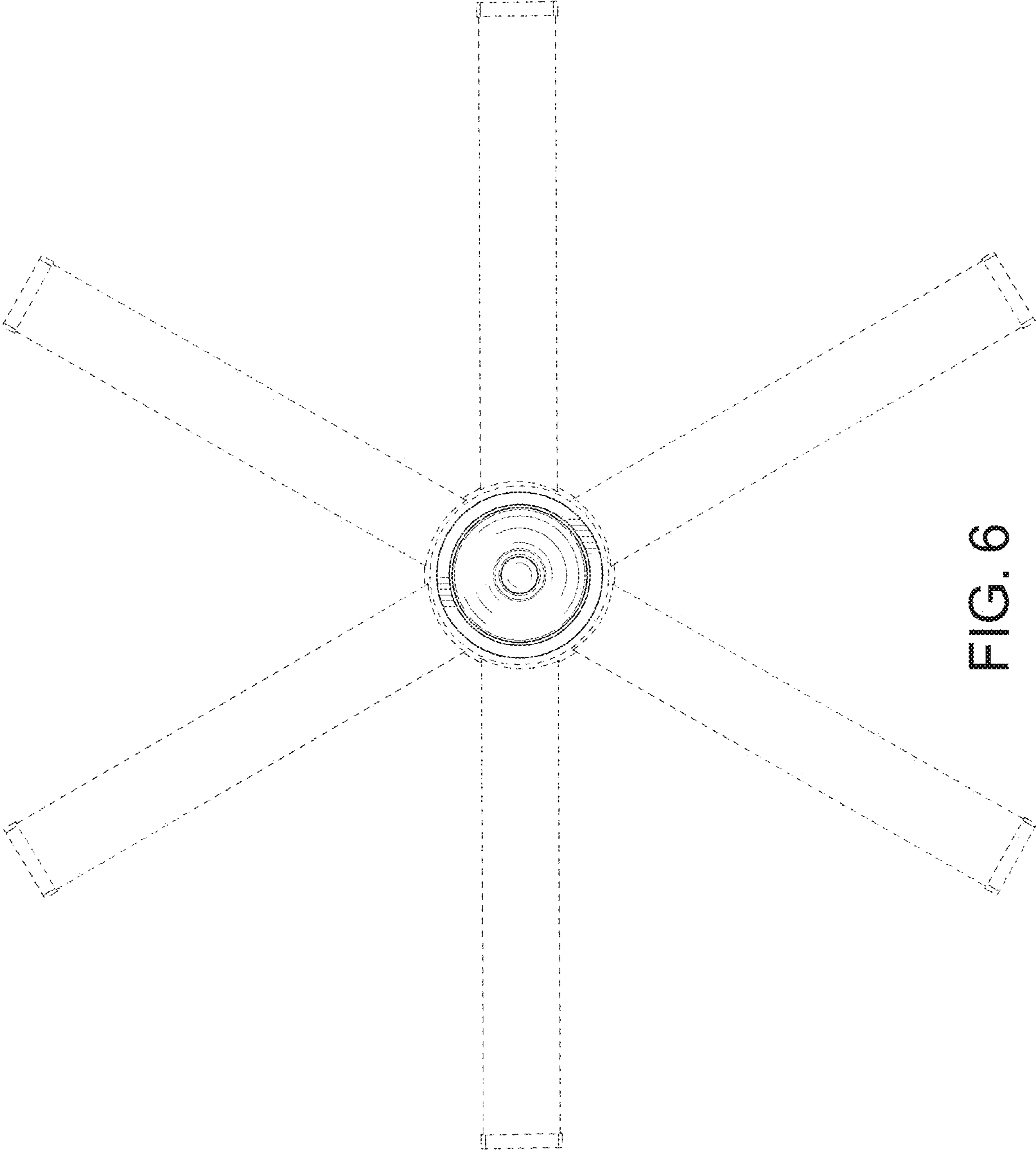


FIG. 6