



US00D957614S

(12) **United States Design Patent**  
**Keepers et al.**

(10) **Patent No.:** **US D957,614 S**

(45) **Date of Patent:** **\*\* Jul. 12, 2022**

(54) **CEILING FAN**

(71) Applicant: **Hunter Fan Company**, Memphis, TN (US)

(72) Inventors: **Lisa Ann Keepers**, Cordova, TN (US);  
**Patrick R. O'Connell**, Germantown, TN (US)

(73) Assignee: **Hunter Fan Company**, Memphis, TN (US)

(\*\*) Term: **15 Years**

(21) Appl. No.: **29/738,614**

(22) Filed: **Jun. 18, 2020**

(51) **LOC (13) Cl.** ..... **23-04**

(52) **U.S. Cl.**  
USPC ..... **D23/377; D23/382**

(58) **Field of Classification Search**  
USPC ..... D23/370, 377, 379, 381-382, 385,  
D23/411-414

CPC ..... F04D 25/088; F04D 29/38; F04D 29/384;  
F04D 29/386

See application file for complete search history.

(56) **References Cited**

**U.S. PATENT DOCUMENTS**

D104,060 S *	4/1937	Budlong	.....	D23/382
D104,064 S *	4/1937	Hamilton	.....	D23/382
D128,142 S *	7/1941	Moskowitz	.....	D23/382
D133,051 S *	7/1942	Kruck	.....	D23/382
D181,083 S *	9/1957	Wells	.....	D23/382
D207,280 S *	3/1967	De La Marter	.....	D23/412
3,787,142 A *	1/1974	Dupke	.....	F04D 29/703
				D23/382
D351,901 S *	10/1994	Boruch	.....	D23/382
D418,913 S *	1/2000	Thakur	.....	D23/382
6,354,801 B1 *	3/2002	Gajewski	.....	F04D 25/088
				415/121.2

D478,981 S *	8/2003	Frampton	.....	D23/411
D482,112 S	11/2003	Miller		
D483,108 S *	12/2003	Frampton	.....	D23/411
D483,468 S *	12/2003	Wong	.....	D23/382
D484,587 S	12/2003	Bucher et al.		
D485,608 S *	1/2004	Chen	.....	D23/377
D485,896 S *	1/2004	Chen	.....	D23/377
D489,809 S *	5/2004	Gajewski	.....	D23/411
D493,217 S *	7/2004	Spina	.....	D23/377
D513,798 S *	1/2006	Andrews	.....	D23/382
D676,535 S *	2/2013	Barrett	.....	D23/382
D700,311 S *	2/2014	Wang	.....	D23/385

(Continued)

**OTHER PUBLICATIONS**

[https://www.fanimation.com/products/index\\_php/fans/ringaire.html](https://www.fanimation.com/products/index_php/fans/ringaire.html), Fanimation RingAire 3 Blade Chrome Mount Indoor Ceiling Fan with Light Kit, Model No. LP8405, accessed Oct. 4, 2019.

(Continued)

*Primary Examiner* — Sharon S Oum

(74) *Attorney, Agent, or Firm* — McGarry Bair PC

(57) **CLAIM**

The ornamental design for a ceiling fan, as shown and described.

**DESCRIPTION**

FIG. 1 is a top perspective view of a ceiling fan, showing our new design;

FIG. 2 is a bottom perspective view thereof;

FIG. 3 is a top view thereof;

FIG. 4 is a bottom view thereof;

FIG. 5 is a front side view thereof,

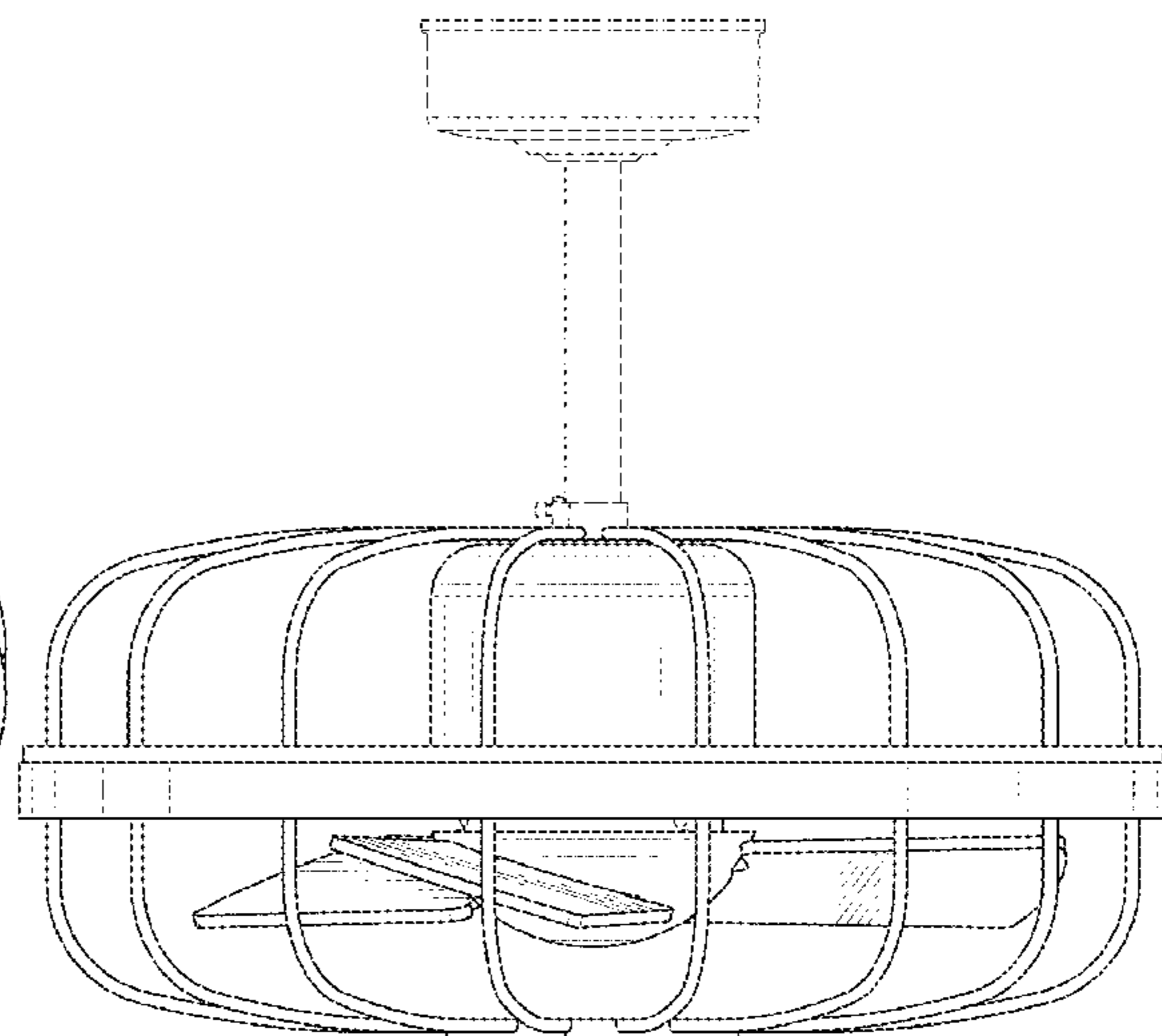
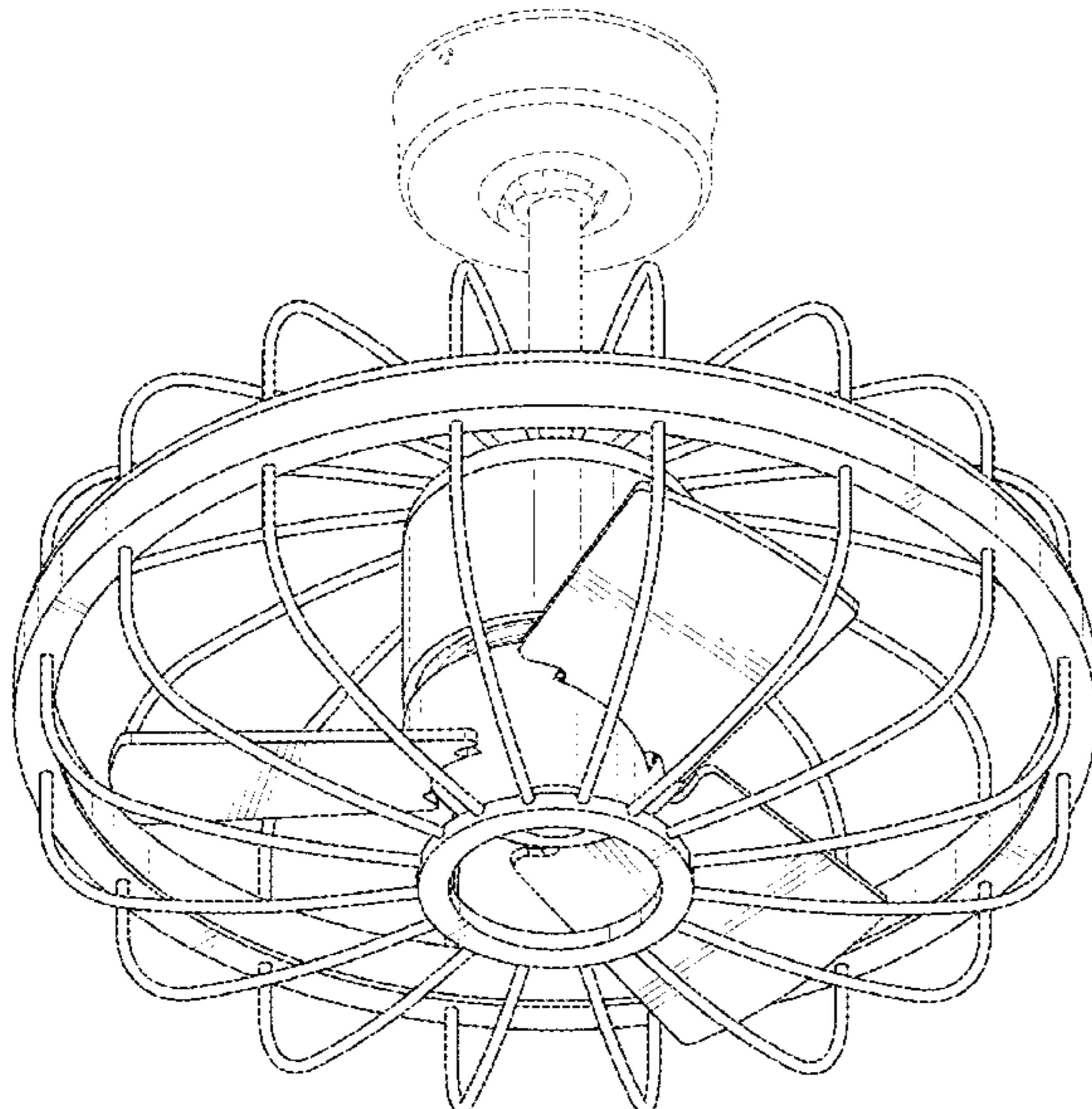
FIG. 6 is a rear side view thereof,

FIG. 7 is a left side view thereof; and,

FIG. 8 is a right side view thereof.

The broken lines illustrate portions of the ceiling fan that form no part of the claimed design.

**1 Claim, 8 Drawing Sheets**



(56)

**References Cited**

U.S. PATENT DOCUMENTS

D771,797	S	11/2016	Wang	
D777,312	S *	1/2017	Badarello	..... D23/377
D779,049	S	2/2017	Wang	
D789,507	S *	6/2017	Badarello	..... D23/377
D799,676	S *	10/2017	Wong	..... D23/382
D805,182	S	12/2017	Pickett	
D882,060	S *	4/2020	Wang	..... D23/382
D889,632	S *	7/2020	Ediger	..... D23/412
D920,498	S *	5/2021	Habig	..... D23/411
2009/0072108	A1 *	3/2009	Oleson	..... F16M 11/10 248/282.1
2013/0114245	A1 *	5/2013	Todd, Jr.	..... F04D 29/582 362/96

OTHER PUBLICATIONS

[https://www.fanimation.com/products/index\\_php/fans/henry.html](https://www.fanimation.com/products/index_php/fans/henry.html), Fanimation Henry 3 Blade Ceiling Fan with Light, Model No. FP8519, accessed Oct. 4, 2019.  
[https://www.fanimation.com/products/index\\_php/fans/vintere.html](https://www.fanimation.com/products/index_php/fans/vintere.html), Fanimation Vintere 20 in Aged Bronze Indoor/Outdoor Downrod Mount Ceiling Fan with Light Kit and Remote, Model No. LP8350, accessed Oct. 4, 2019.

<https://www.minkagroup.net/f601-bs-mg.html>, Minka Aire Acero 52" 3 Blade Ceiling Fan in Brushed Steel, Integrated Halogen Lights with Opal Frosted Glass, Model No. F601-BS/MG, accessed Oct. 4, 2019.

<https://www.lowes.com/pd/Harbor-Breeze-Belcarra-13-in-Brushed-Nickel-Indoor-Outdoor-Residential-Ceiling-Fan-with-Remote-Control-Included-6-Blade/999909055>, Harbor Breeze Belcarra 6 Blade 13-in Brushed Nickel Indoor/Outdoor Residential Ceiling Fan with Remote Control included, Model No. CE-JP13BNK6RC, accessed Oct. 4, 2019.

<https://www.kichler.com/kichler/products/ceiling-fans/indoor-ceiling-fans/bands-5-blade-52-downrod-mount-indoor-ceiling-fan-1317a2f7/>, Kichler Bands 52" 5 Blade Brushed Nickel Ceiling Fan, Model No. 35208, accessed Oct. 4, 2019.

<https://www.craftmade.com/bellows-iii-bw321>, Craftmade Bellows III Ceiling Fan with Blades, Model No. BW321, accessed Oct. 4, 2019.

<https://www.craftmade.com/faraday-far14>, Craftmade Faraday Wall Fan, blades included, Model No. FAR14, accessed Oct. 4, 2019.

[https://www.fanimation.com/products/index\\_php/fans/old-havana.html](https://www.fanimation.com/products/index_php/fans/old-havana.html), Fanimation Old Havana Fan, Old Havana Rust Fan Motor Assembly, Base and Wall Mount Sold Separately, Model No. FPH210, accessed Oct. 4, 2019.

\* cited by examiner

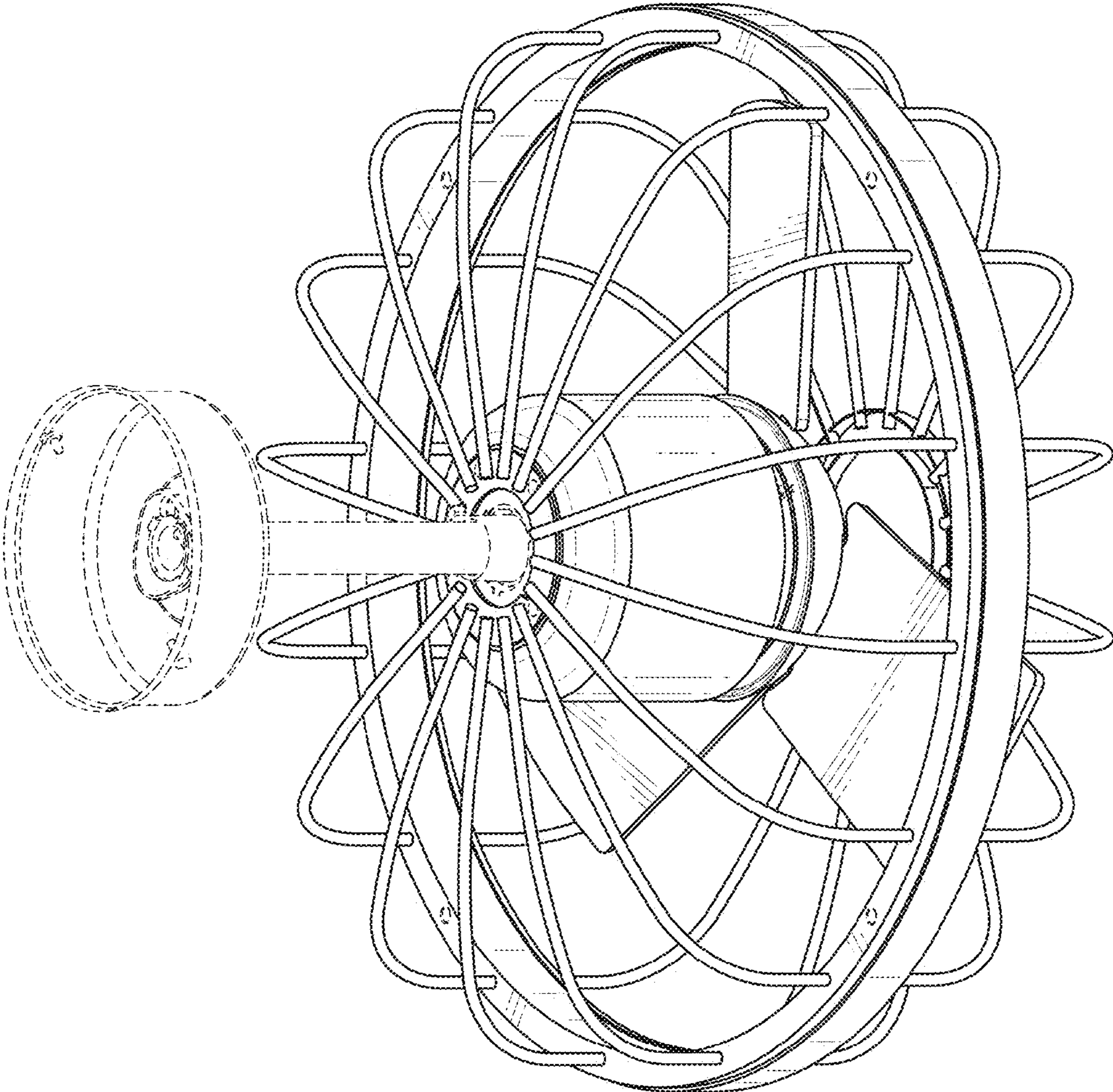


FIG. 1

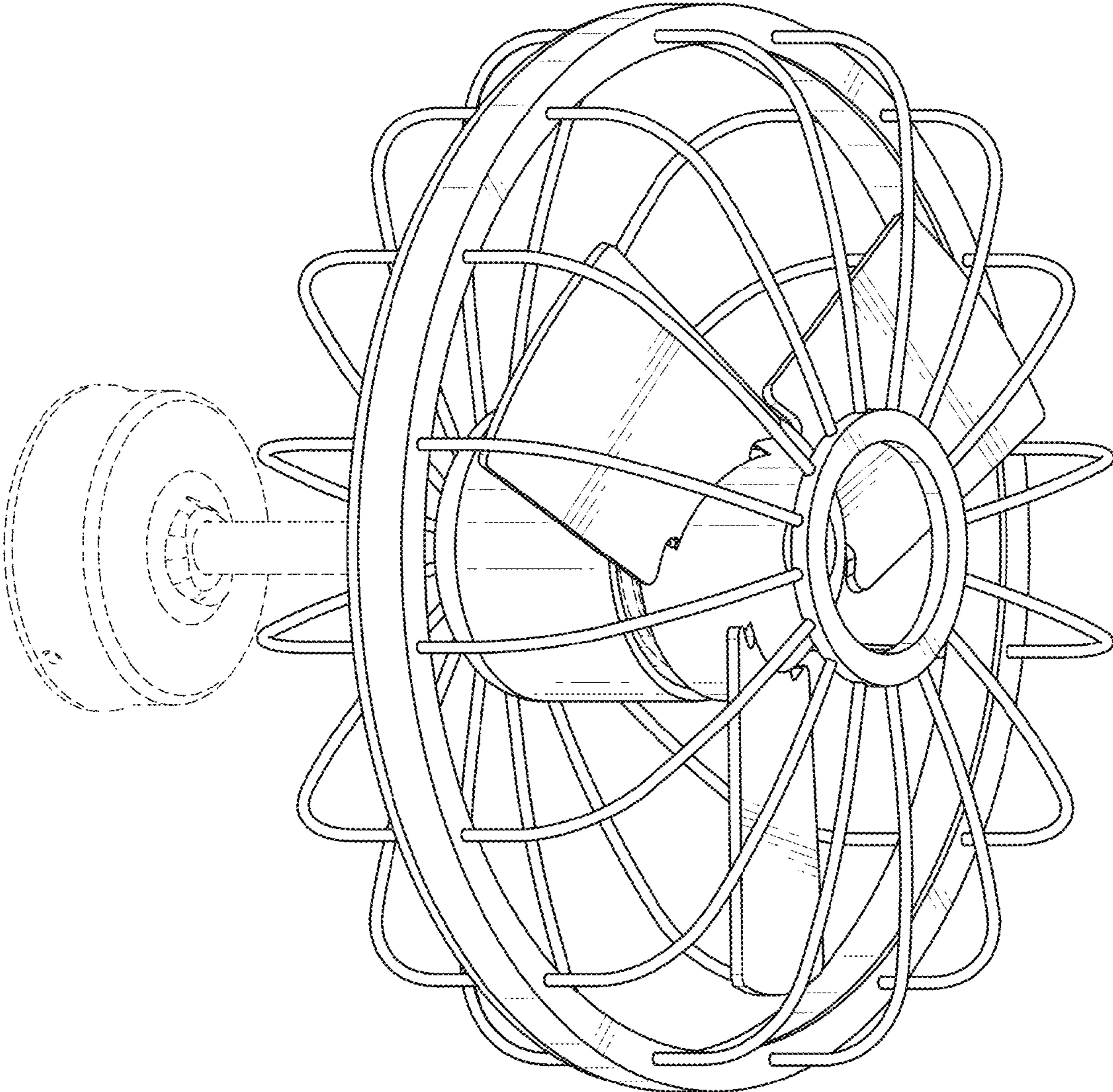


FIG. 2

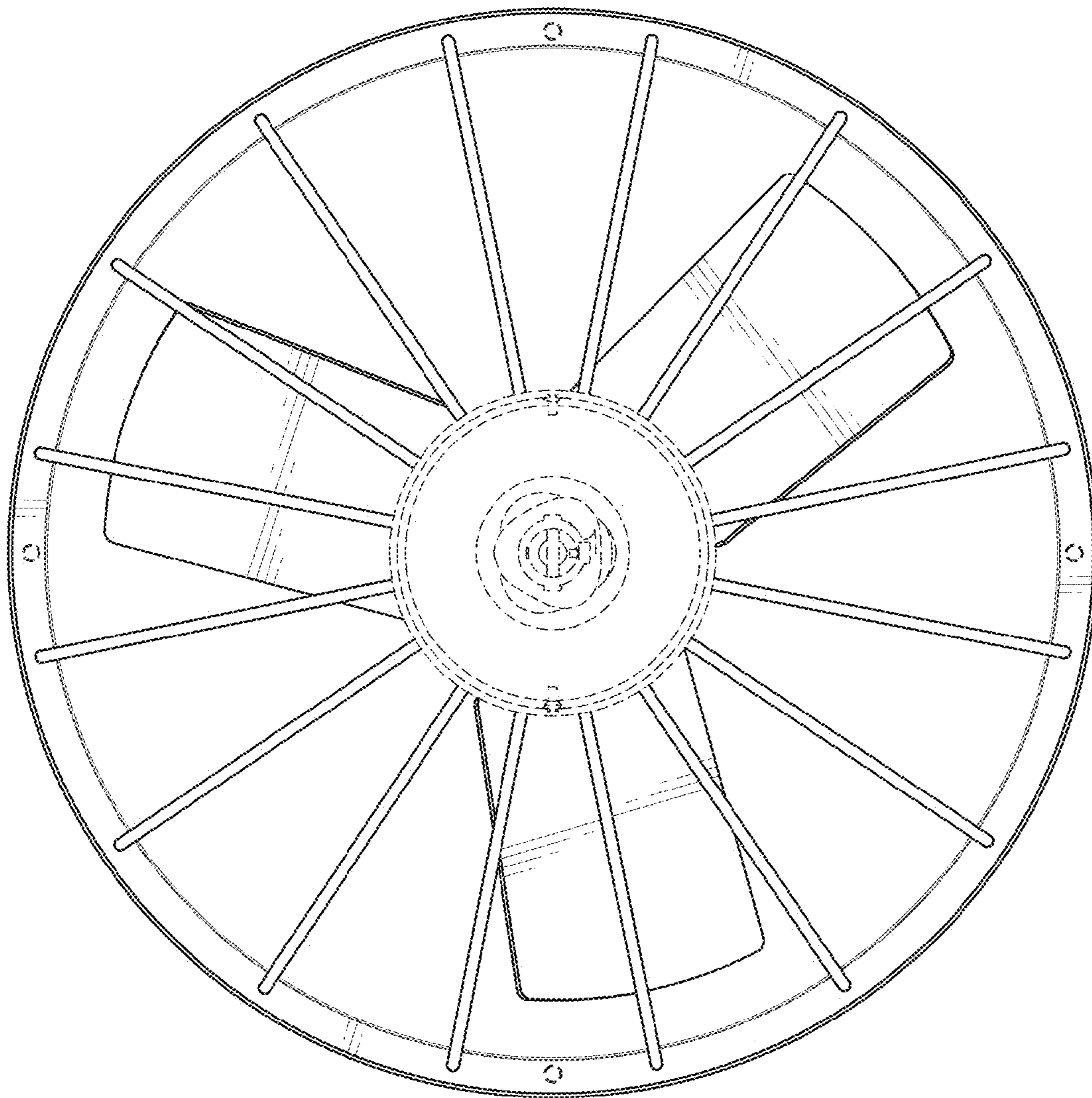


FIG. 3

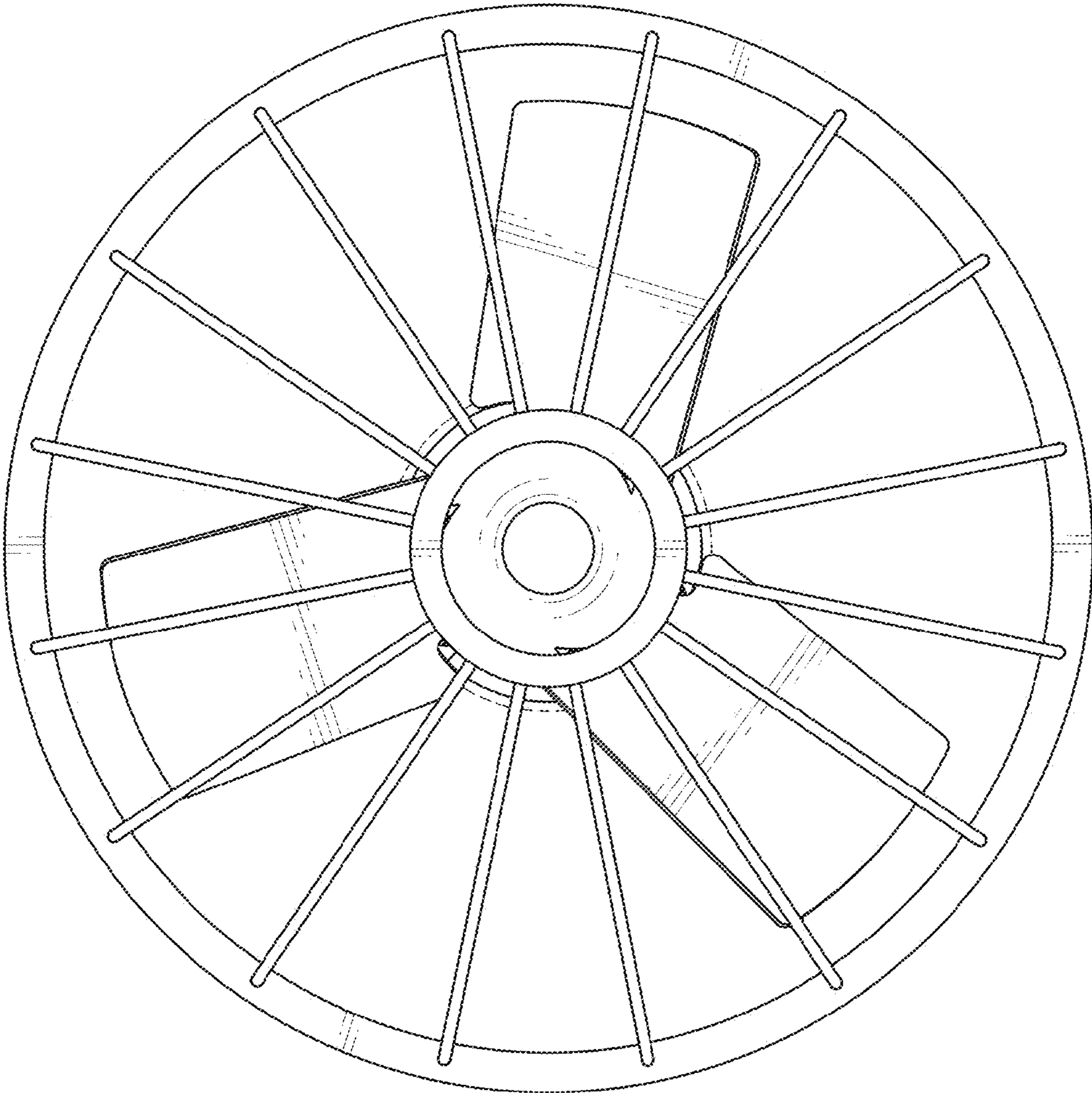


FIG. 4

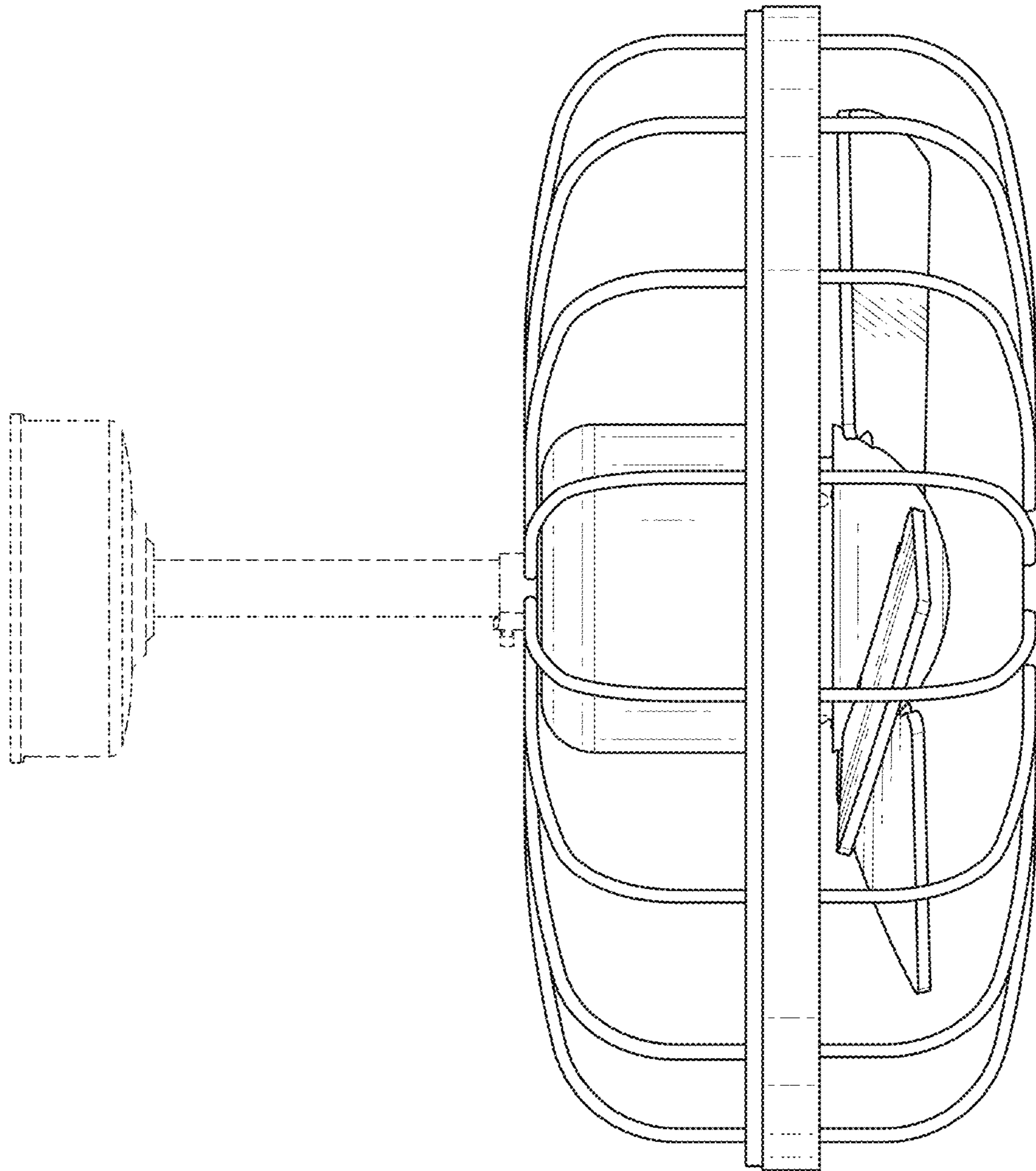


FIG. 5

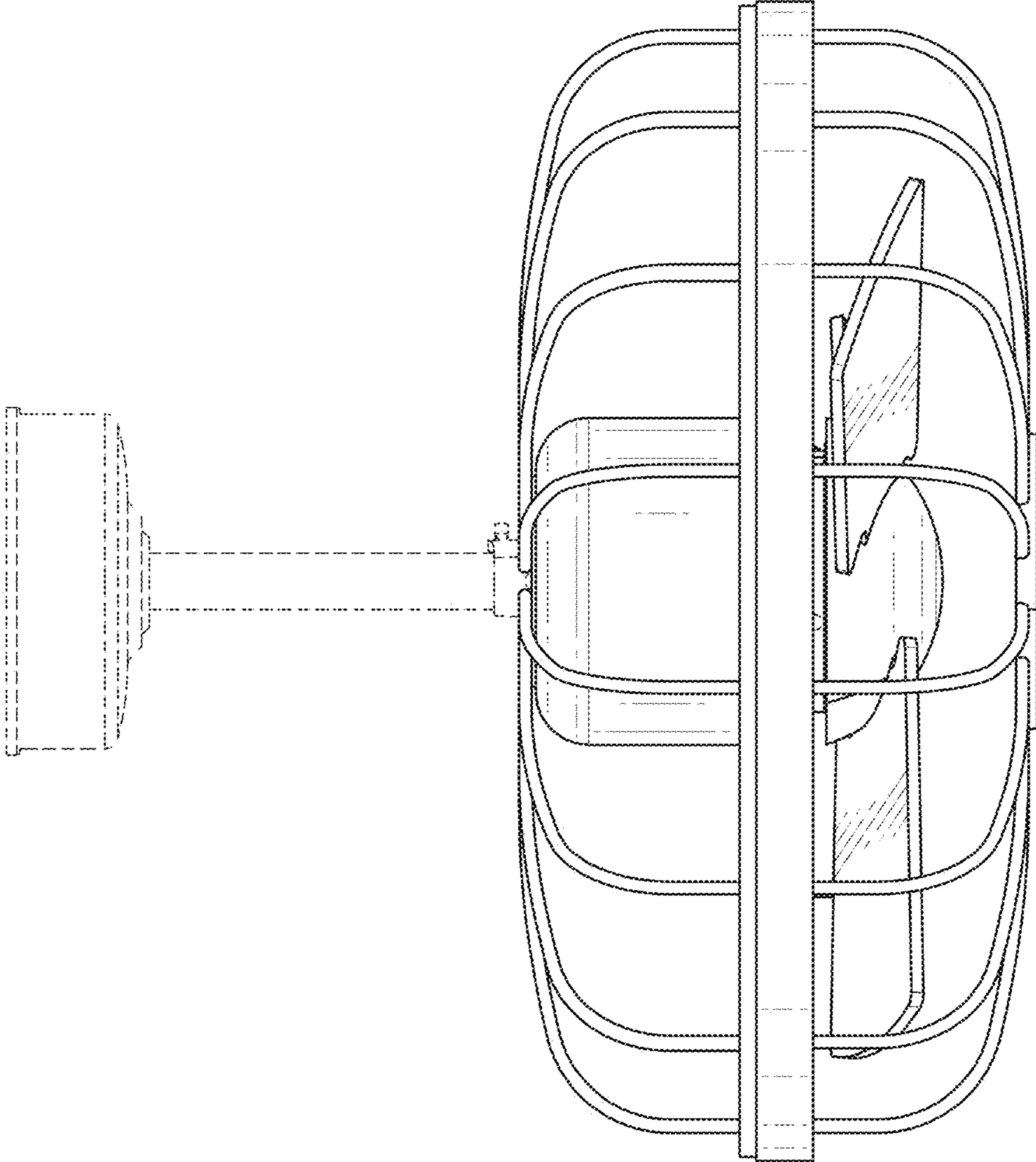


FIG. 6



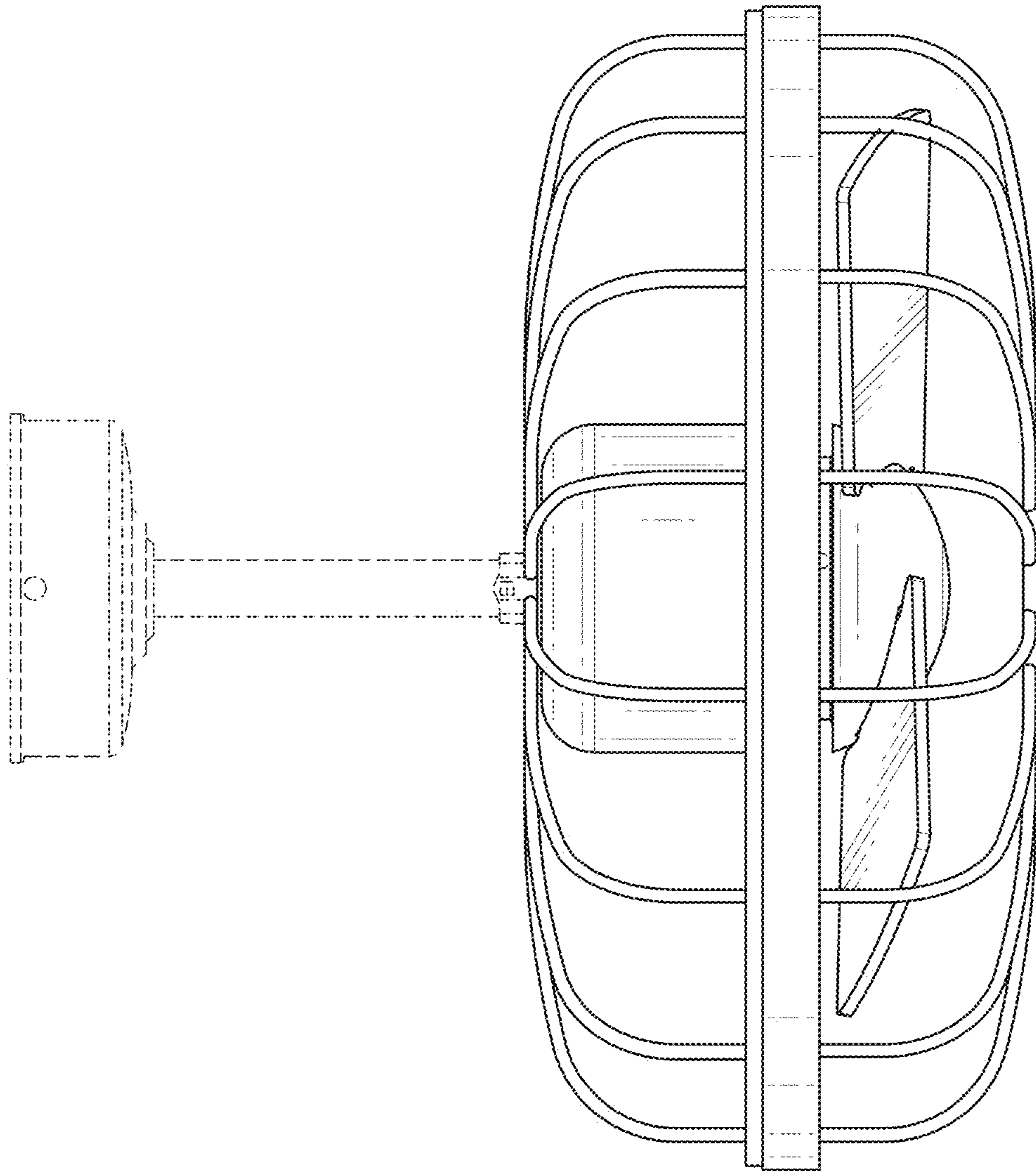


FIG. 7

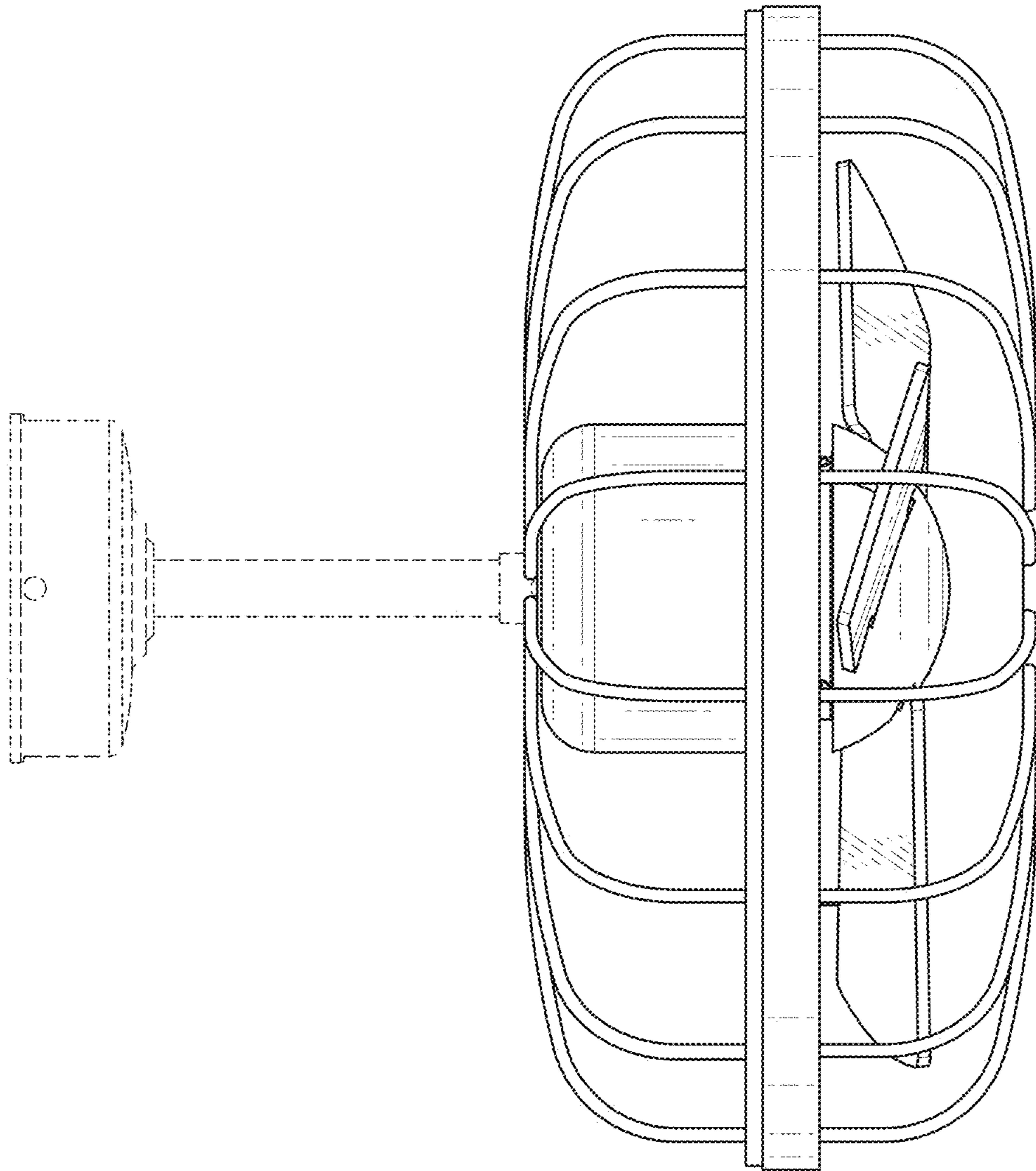


FIG. 8