



US00D957613S

(12) **United States Design Patent** (10) **Patent No.:** **US D957,613 S**
Clerkin et al. (45) **Date of Patent:** **** Jul. 12, 2022**

(54) **COMPUTER FAN**
(71) Applicant: **Corsair Memory, Inc.**, Fremont, CA (US)
(72) Inventors: **Eamonn Clerkin**, Fremont, CA (US); **Dean Depay**, Fremont, CA (US)
(73) Assignee: **Corsair Memory, Inc.**, Fremont, CA (US)
(**) Term: **15 Years**
(21) Appl. No.: **29/773,768**
(22) Filed: **Mar. 11, 2021**
(51) **LOC (13) Cl.** **23-04**
(52) **U.S. Cl.**
USPC **D23/370**
(58) **Field of Classification Search**
USPC D23/370, 371, 373, 374, 379–383, D23/411–412; D14/432, 439
CPC .. F04D 25/0693; F04D 19/002; F04D 29/646; F04D 29/522; F04D 29/667; F04D 19/007; G06F 1/20
See application file for complete search history.

7,737,589 B2 * 6/2010 Sekiguchi H02K 1/182 310/90
D637,276 S * 5/2011 Miyahara D23/370
D637,706 S * 5/2011 Kawai D23/370
D665,894 S * 8/2012 Inada D23/370
D676,541 S * 2/2013 Fu D23/370
D696,764 S * 12/2013 Sato D23/370
D723,151 S * 2/2015 Xu D23/370
D732,655 S * 6/2015 Ueno D23/370
10,514,732 B2 * 12/2019 Kinstle, III H05B 45/20
2003/0231968 A1 * 12/2003 Hsieh H02K 1/145 417/423.12
2008/0101964 A1 * 5/2008 Iwase F04D 29/386 416/223 R
2008/0157634 A1 * 7/2008 Sekiguchi H02K 1/182 310/90
2008/0261432 A1 * 10/2008 Chen F04D 25/0613 439/313

(Continued)

Primary Examiner — Sharon S Oum
(74) *Attorney, Agent, or Firm* — Carina M. Tan; Corsair Memory, Inc.

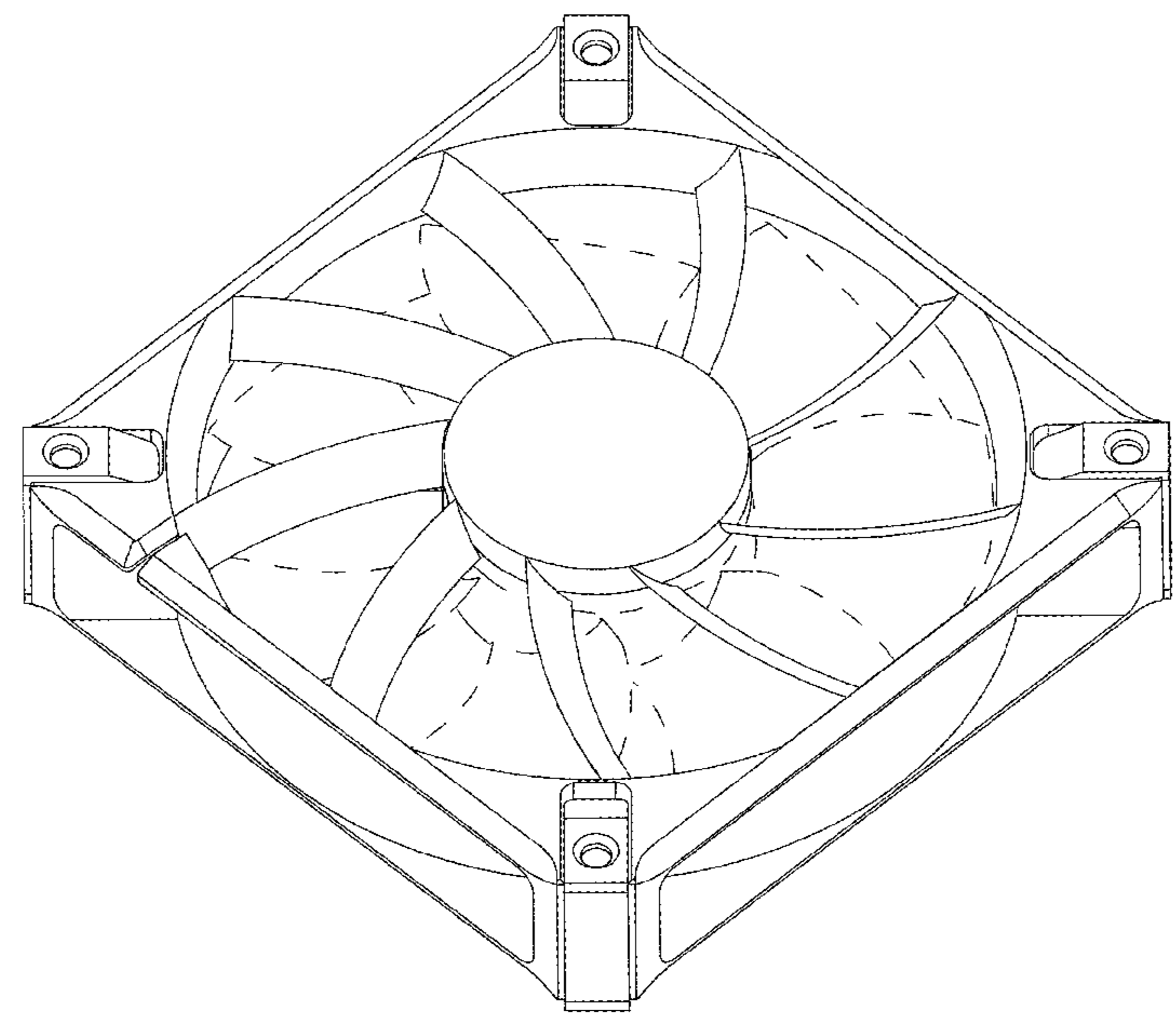
(57) **CLAIM**
The ornamental design for a computer fan, as shown and described.

DESCRIPTION

FIG. 1 is a front view of a computer fan showing our design; FIG. 2 is a rear view of the computer fan; FIG. 3 is a front right bottom perspective view of the computer fan; FIG. 4 is rear bottom right perspective view of the computer fan; FIG. 5 is a rear top left perspective view of the computer fan; FIG. 6 is a front left view of the computer fan; and, FIG. 7 is a front top view of the computer fan. The dashed broken lines in FIGS. 1-7 show portions of the computer fan that form no part of the claimed design.

1 Claim, 7 Drawing Sheets

(56) **References Cited**
U.S. PATENT DOCUMENTS
D368,772 S * 4/1996 Liao D23/379
D486,906 S * 2/2004 Xiao D23/411
D487,310 S * 3/2004 Li D23/411
D487,800 S * 3/2004 Chen D23/370
D506,540 S * 6/2005 Chiu D23/370
D513,530 S * 1/2006 Chen D23/379
D531,716 S * 11/2006 Watanabe D23/370
7,332,841 B2 * 2/2008 Hsu H02K 7/14 361/679.48
D596,735 S * 7/2009 Su D23/381
D602,142 S * 10/2009 Nishizawa D23/370



(56)

References Cited

U.S. PATENT DOCUMENTS

2009/0022611 A1* 1/2009 Bei F04D 29/626
417/423.12
2010/0002389 A1* 1/2010 Tung H05K 7/20172
361/697
2012/0313475 A1* 12/2012 Wu F04D 25/064
415/213.1
2017/0051747 A1* 2/2017 Nakamura F04D 29/181
2020/0133356 A1* 4/2020 Paul H05K 7/20281
2021/0040954 A1* 2/2021 Huang H02K 11/21

* cited by examiner

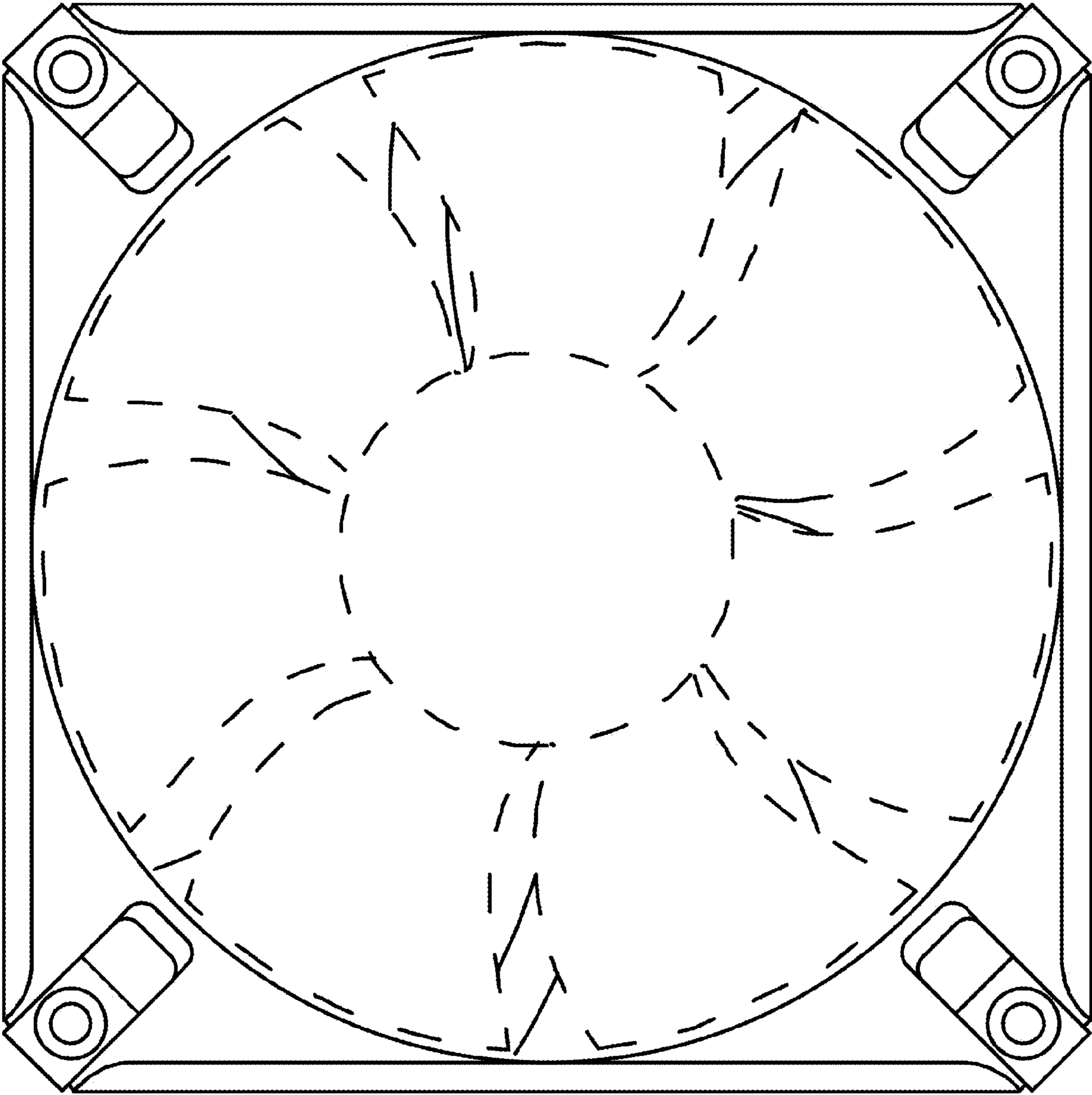


FIG. 1

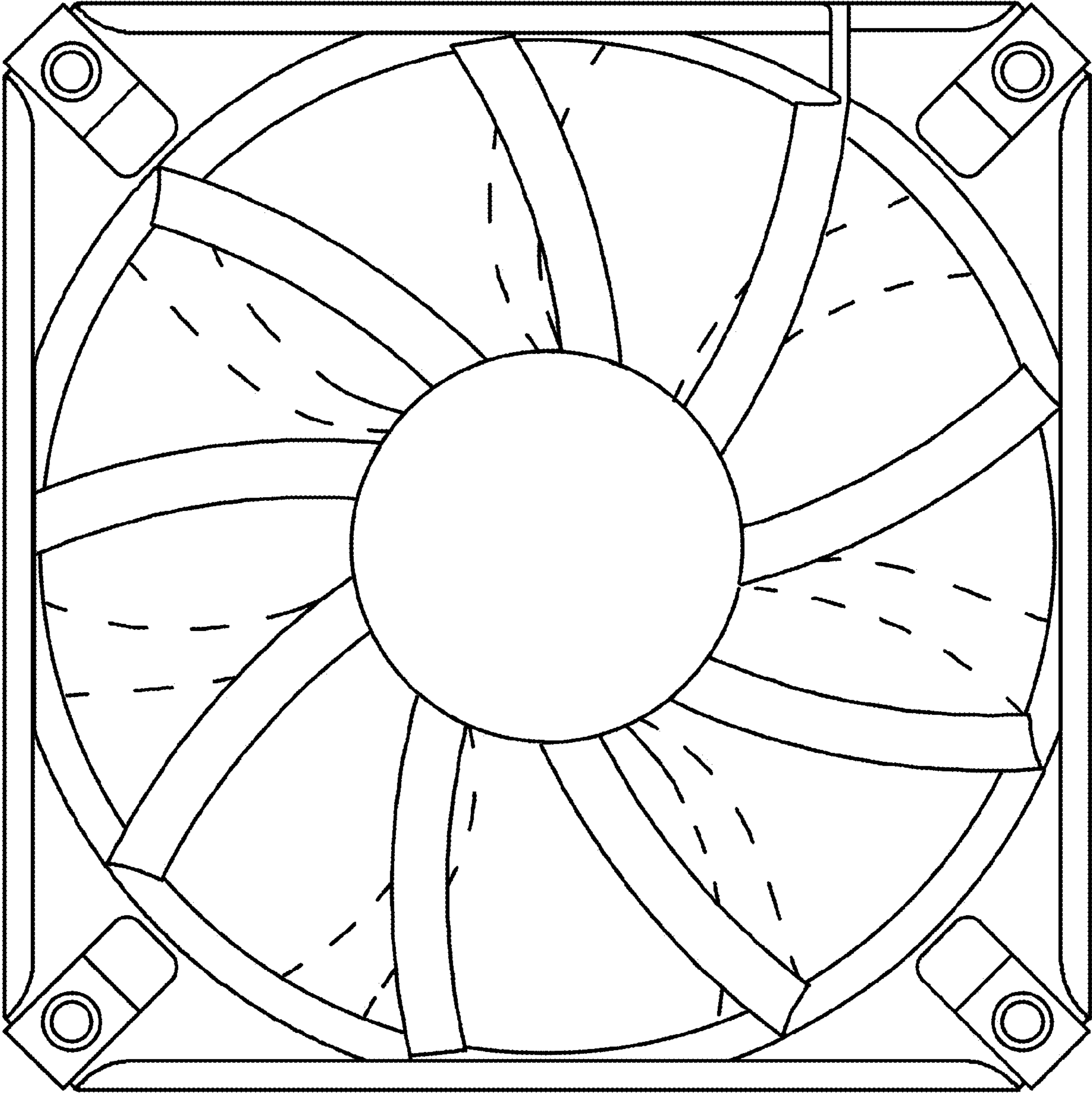


FIG. 2

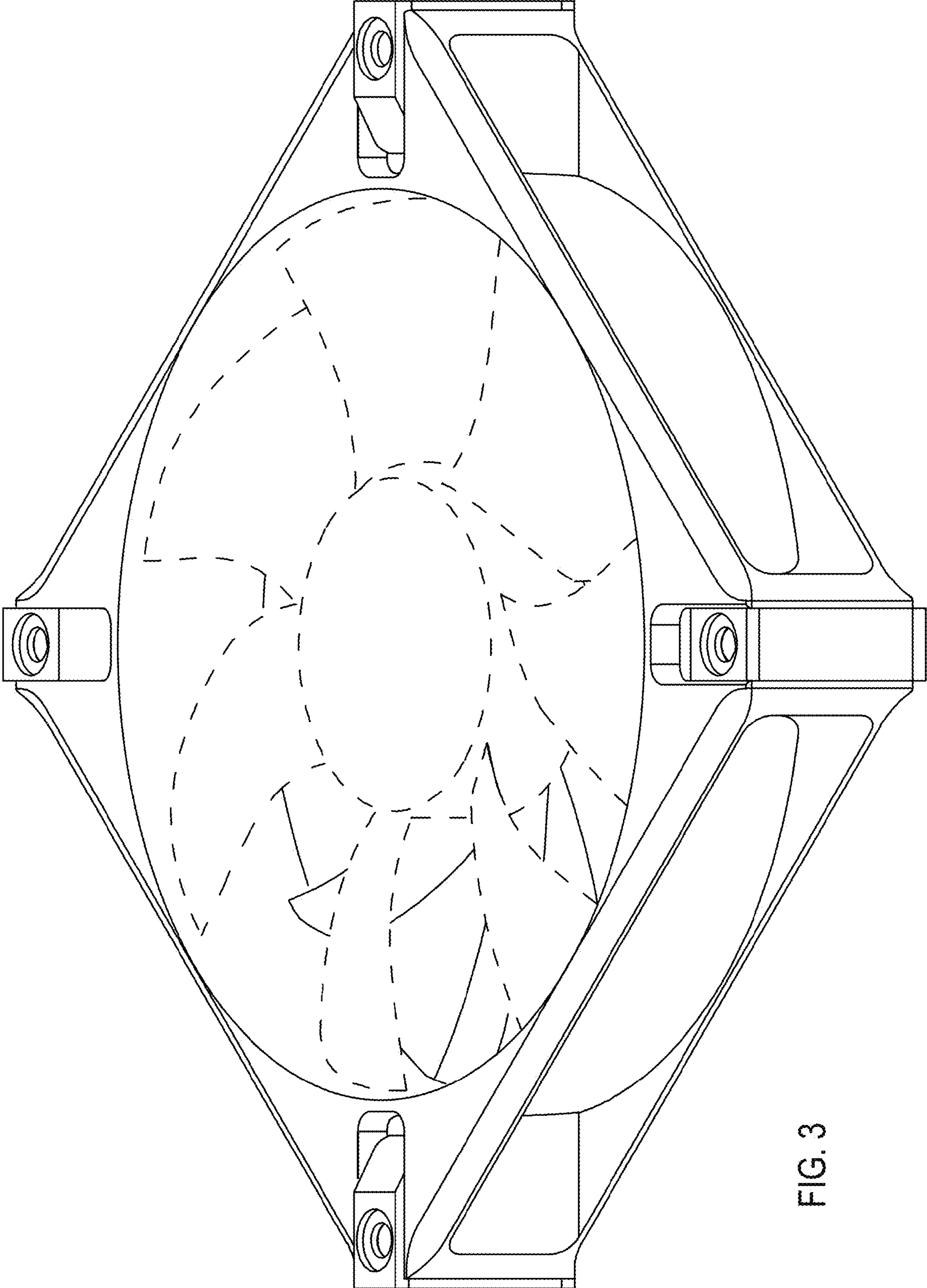


FIG. 3

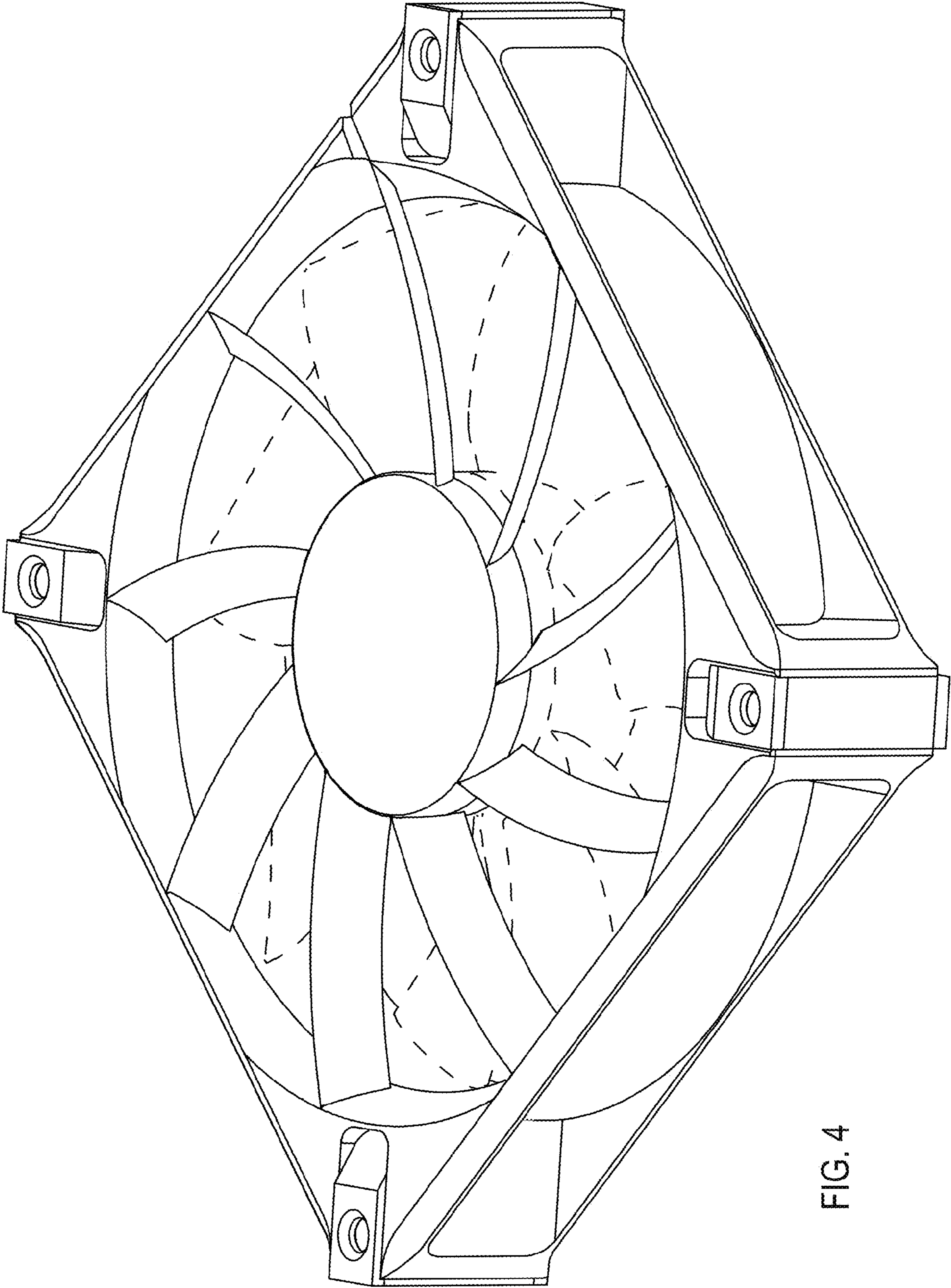


FIG. 4

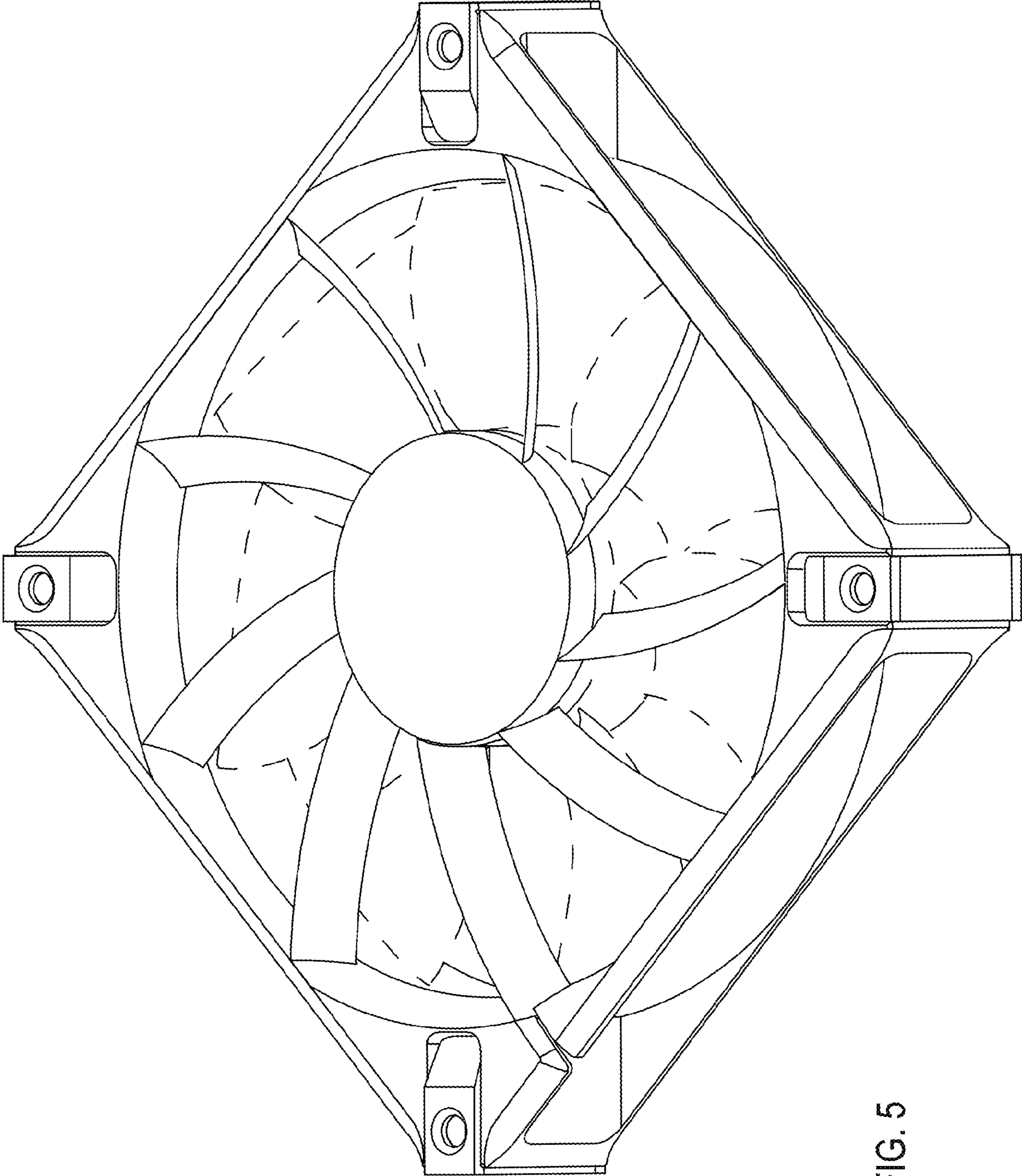


FIG. 5

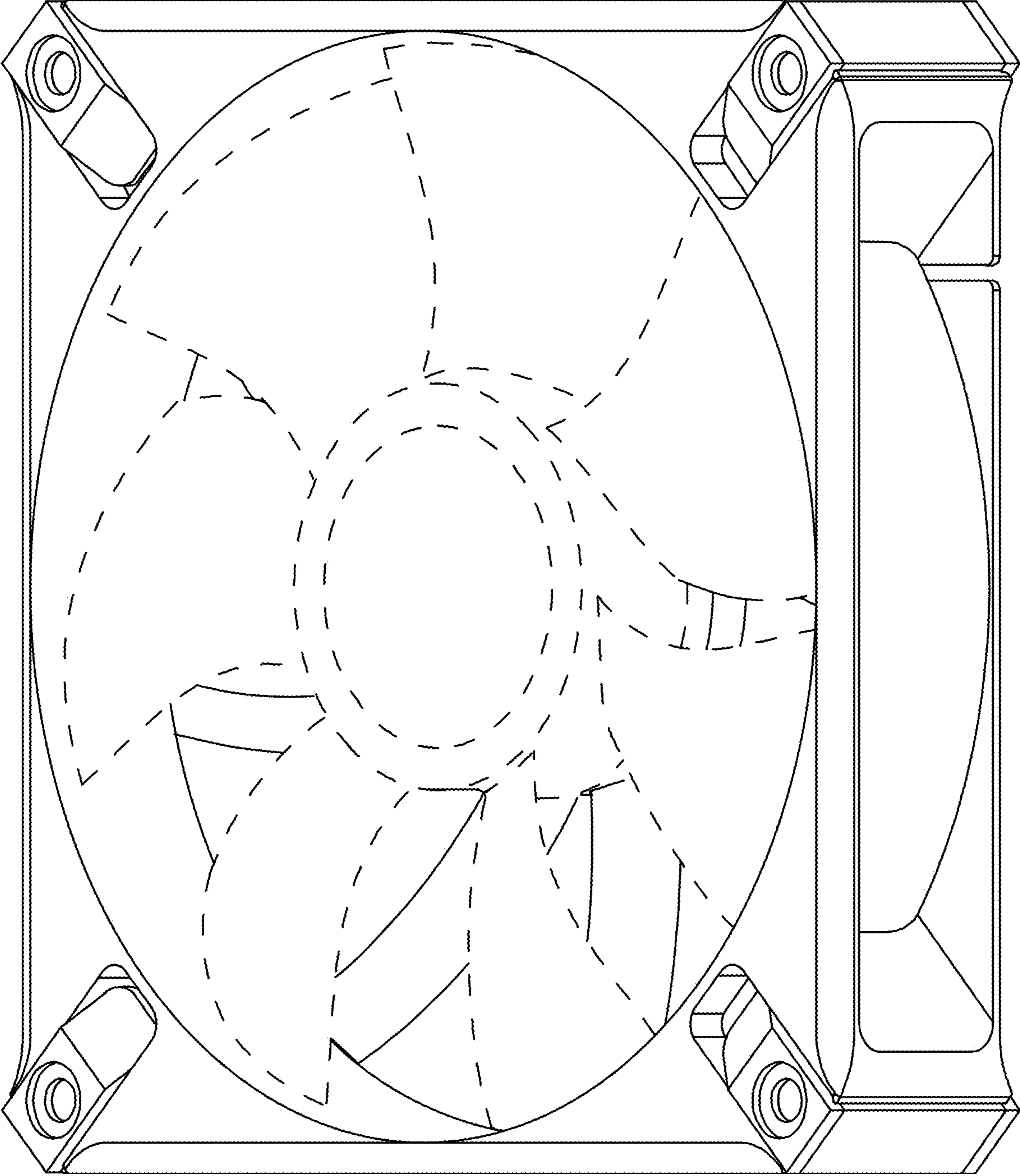


FIG. 6

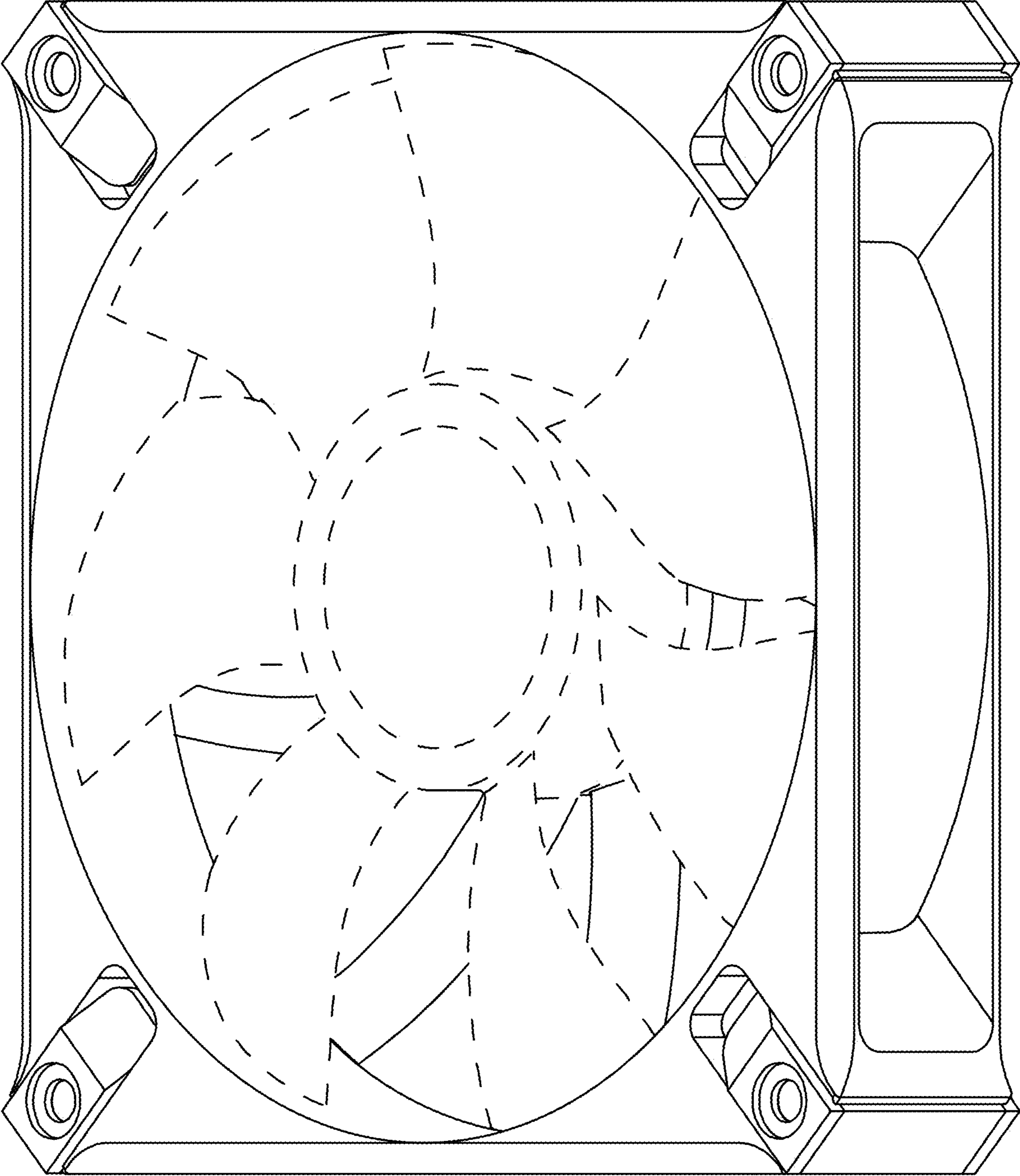


FIG. 7