



US00D957608S

(12) **United States Design Patent**
Han et al.

(10) **Patent No.:** **US D957,608 S**
(45) **Date of Patent:** **** Jul. 12, 2022**

(54) **AIR PURIFIER**

(71) Applicant: **LG ELECTRONICS INC.**, Seoul (KR)

(72) Inventors: **Sungkyong Han**, Seoul (KR); **Sehwan Bae**, Seoul (KR); **Myungwhoon Lee**, Seoul (KR); **Kangeui Cho**, Seoul (KR); **Jiug Ha**, Seoul (KR)

(73) Assignee: **LG ELECTRONICS INC.**, Seoul (KR)

(**) Term: **15 Years**

(21) Appl. No.: **29/721,815**

(22) Filed: **Jan. 23, 2020**

(30) **Foreign Application Priority Data**

Jul. 25, 2019 (KR) 30-2019-0035857

(51) **LOC (13) Cl.** **23-01**

(52) **U.S. Cl.**
USPC **D23/364**

(58) **Field of Classification Search**
USPC .. D7/536, 538, 553.8, 554.2, 602-604, 612;
D9/428, 545, 738, 763-764, 767;
D23/332-335, 337, 342, 352, 355-366,
D23/369-370; D5/1-3, 56-63
CPC .. A61L 9/00; A61L 9/22; B01D 47/00; B01D
47/027; B01D 2259/4508; B03C 3/155;
(Continued)

(56) **References Cited**

U.S. PATENT DOCUMENTS

D301,088 S * 5/1989 Kawaguchi D5/58
D670,917 S * 11/2012 Blackford D5/2
D692,255 S * 10/2013 Robbins D6/580
(Continued)

Primary Examiner — Karen S Acker

Assistant Examiner — Jonathan E Fiencke

(74) Attorney, Agent, or Firm — Birch, Stewart, Kolasch & Birch, LLP

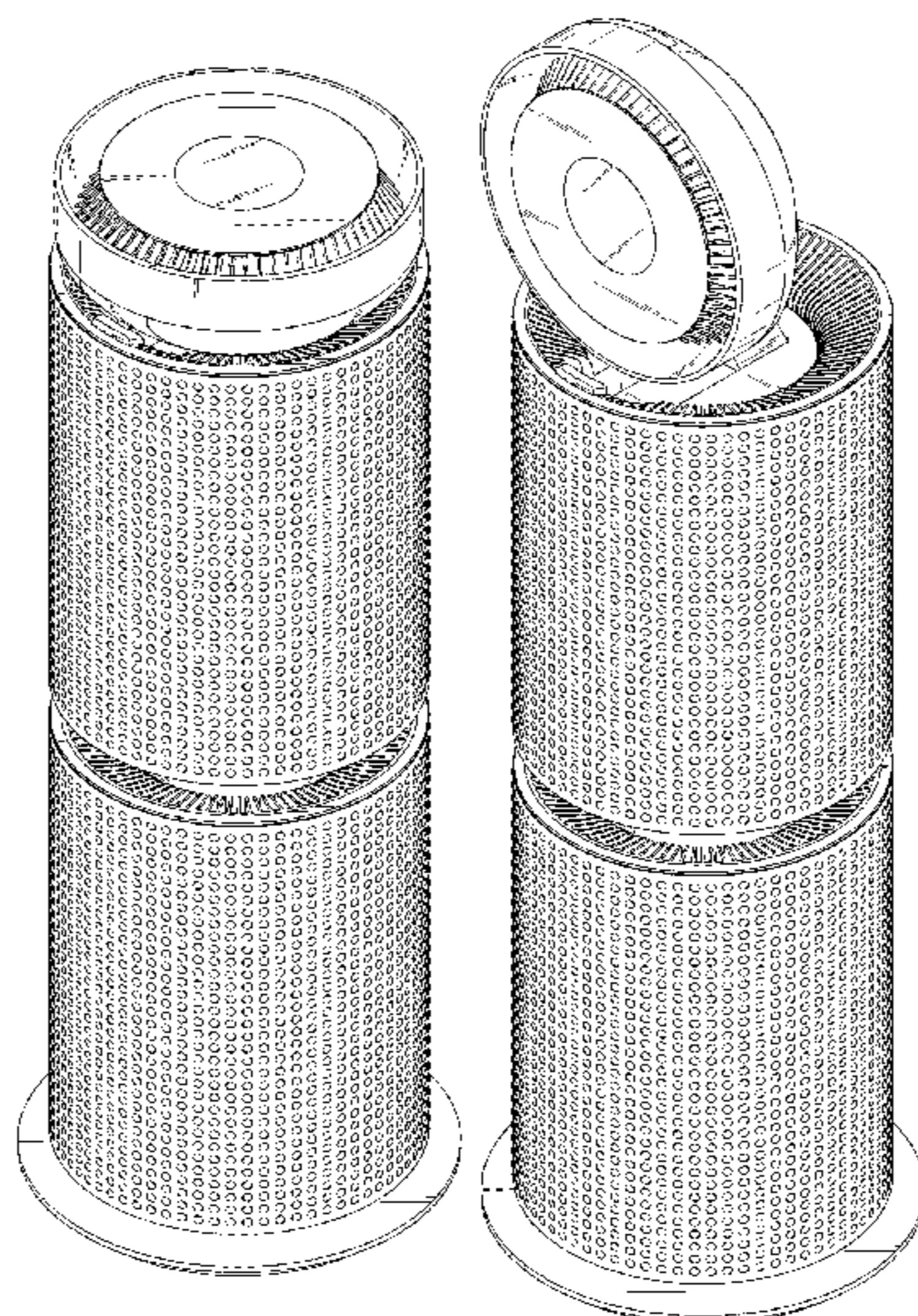
(57) **CLAIM**

We claim the ornamental design for an air purifier, as shown and described.

DESCRIPTION

FIG. 1 is a perspective view of an air purifier showing the new design;
FIG. 2 is a front elevation view thereof;
FIG. 3 is a rear elevation view thereof;
FIG. 4 is a left-side elevation view thereof;
FIG. 5 is a right-side elevation view thereof;
FIG. 6 is a top plan view thereof;
FIG. 7 is a bottom plan view thereof;
FIG. 8 is a perspective view thereof, showing the circulator part at an angle;
FIG. 9 is a front elevation view thereof;
FIG. 10 is a rear elevation view thereof;
FIG. 11 is a left-side elevation view thereof;
FIG. 12 is a right-side elevation view thereof;
FIG. 13 is a top plan view thereof;
FIG. 14 is a bottom plan view thereof;
FIG. 15 is a perspective view thereof, showing the circulator part at another angle;
FIG. 16 is a front elevation view thereof;
FIG. 17 is a rear elevation view thereof;
FIG. 18 is a left-side elevation view thereof;
FIG. 19 is a right-side elevation view thereof;
FIG. 20 is a top plan view thereof;
FIG. 21 is a bottom plan view thereof; and,
FIG. 22 is a partial perspective view thereof, showing the air purifier in state of use.
The evenly spaced broken lines and unshaded areas depict portions of the air purifier that form no part of the claimed design. The dot dash dot broken line in FIG. 22 denotes the boundary of the partial view and forms no part of the claimed design.

1 Claim, 22 Drawing Sheets



(58) **Field of Classification Search**

CPC ... B03C 3/368; F24F 3/16; F24F 13/20; F24F
13/28

See application file for complete search history.

(56) **References Cited**

U.S. PATENT DOCUMENTS

D707,974 S * 7/2014 Blackford D5/61
D805,622 S * 12/2017 Lee D23/364
D818,096 S * 5/2018 Cho A61L 9/12
D23/364
D818,097 S * 5/2018 Cho B01D 46/0047
D23/364
D818,098 S * 5/2018 Cho D23/364
D829,313 S * 9/2018 Cho F24F 13/082
D23/364
D829,314 S * 9/2018 Cho B01D 53/0415
D23/364
D832,414 S * 10/2018 Sharma F24F 13/20
D23/364
2018/0256770 A1 * 9/2018 Jang A61L 9/12
2019/0264948 A1 * 8/2019 Jung B01D 46/0047
2020/0188827 A1 * 6/2020 Yang B01D 53/0415
2021/0278097 A1 * 9/2021 Min F24F 13/20
2022/0011009 A1 * 1/2022 Lee F24F 13/28
2022/0011011 A1 * 1/2022 Yang F24F 13/082

* cited by examiner

FIG. 1

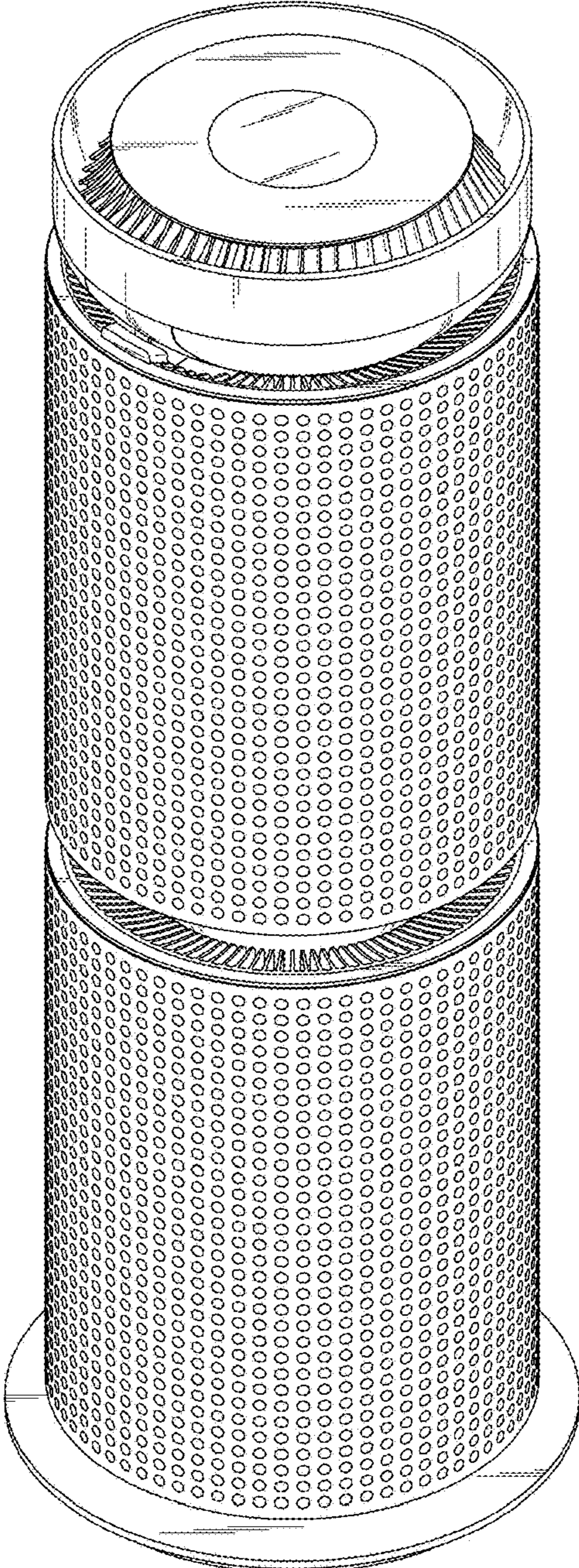


FIG. 2

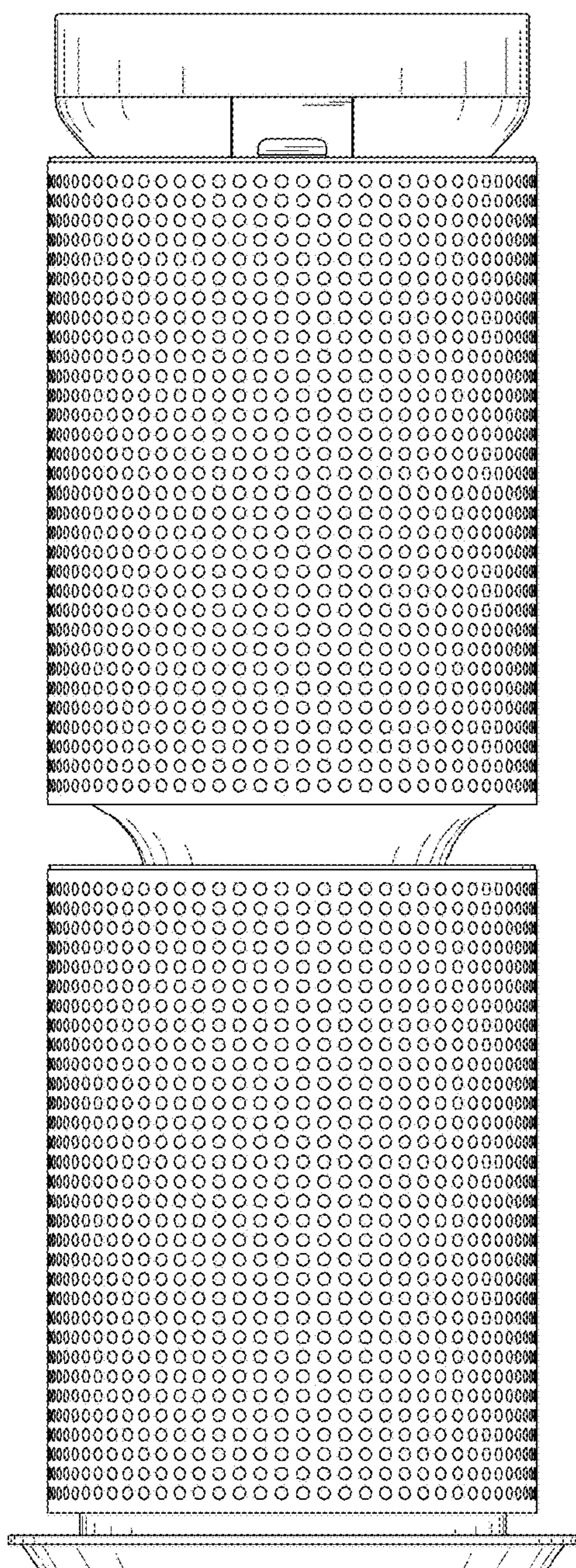


FIG. 3

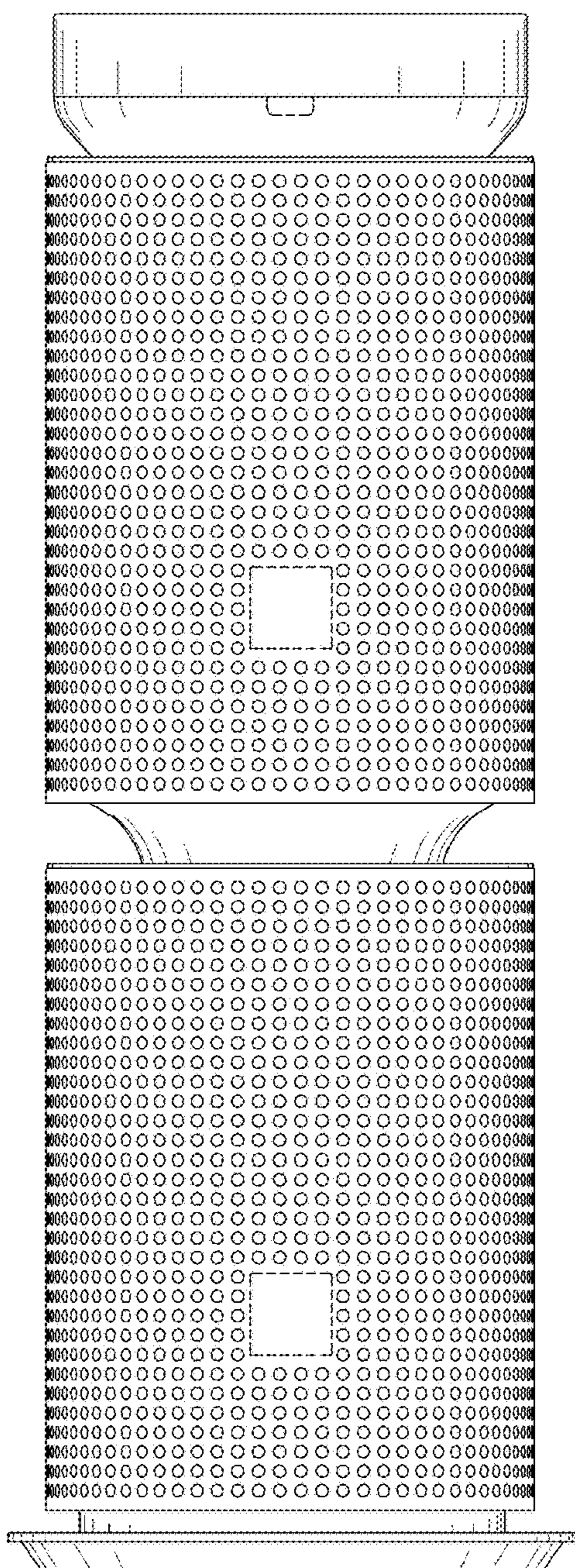


FIG. 4

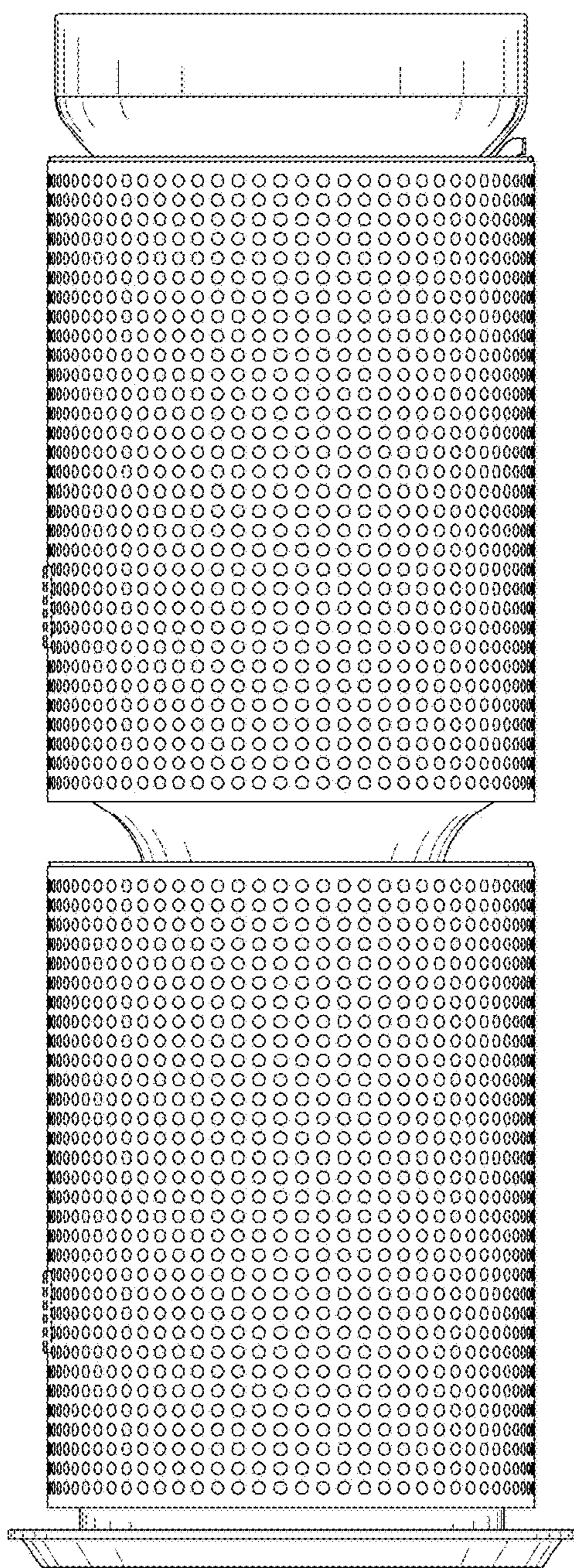


FIG. 5

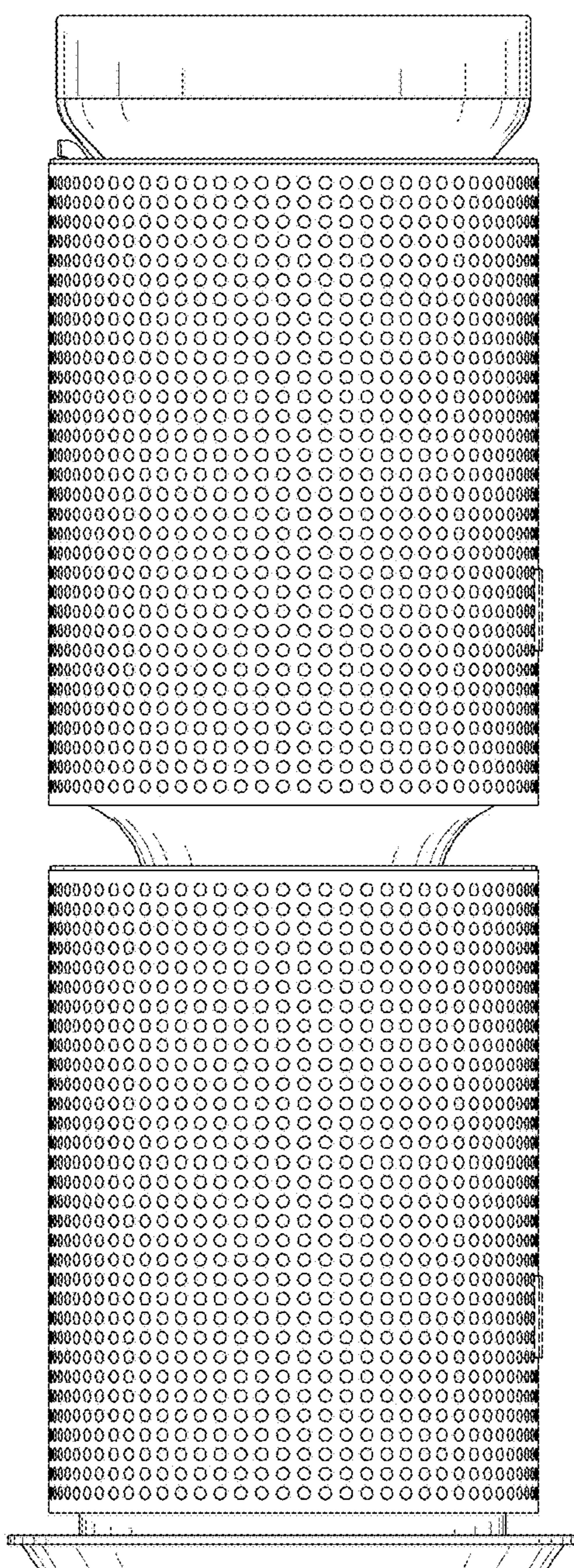


FIG. 6

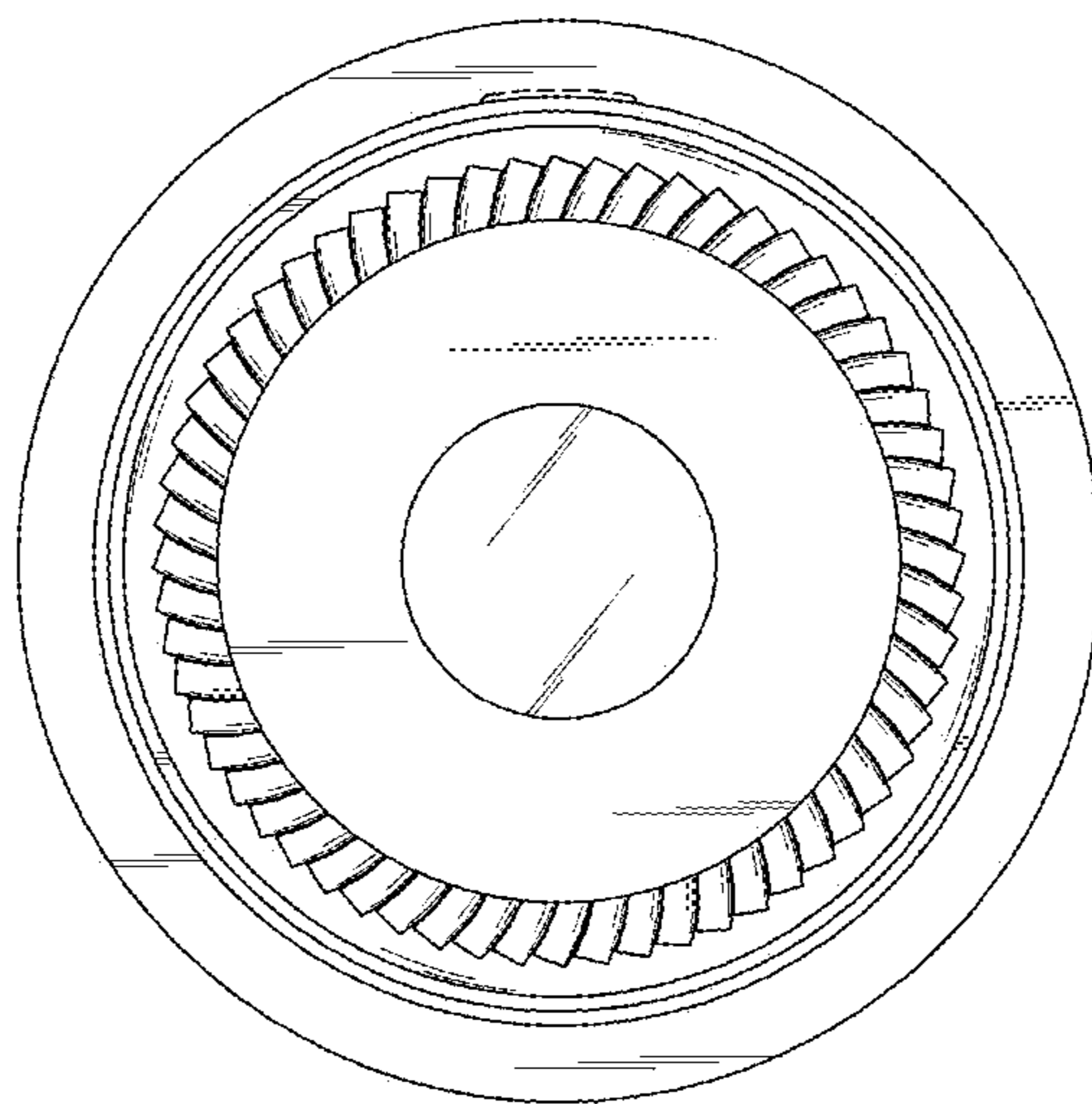


FIG. 7

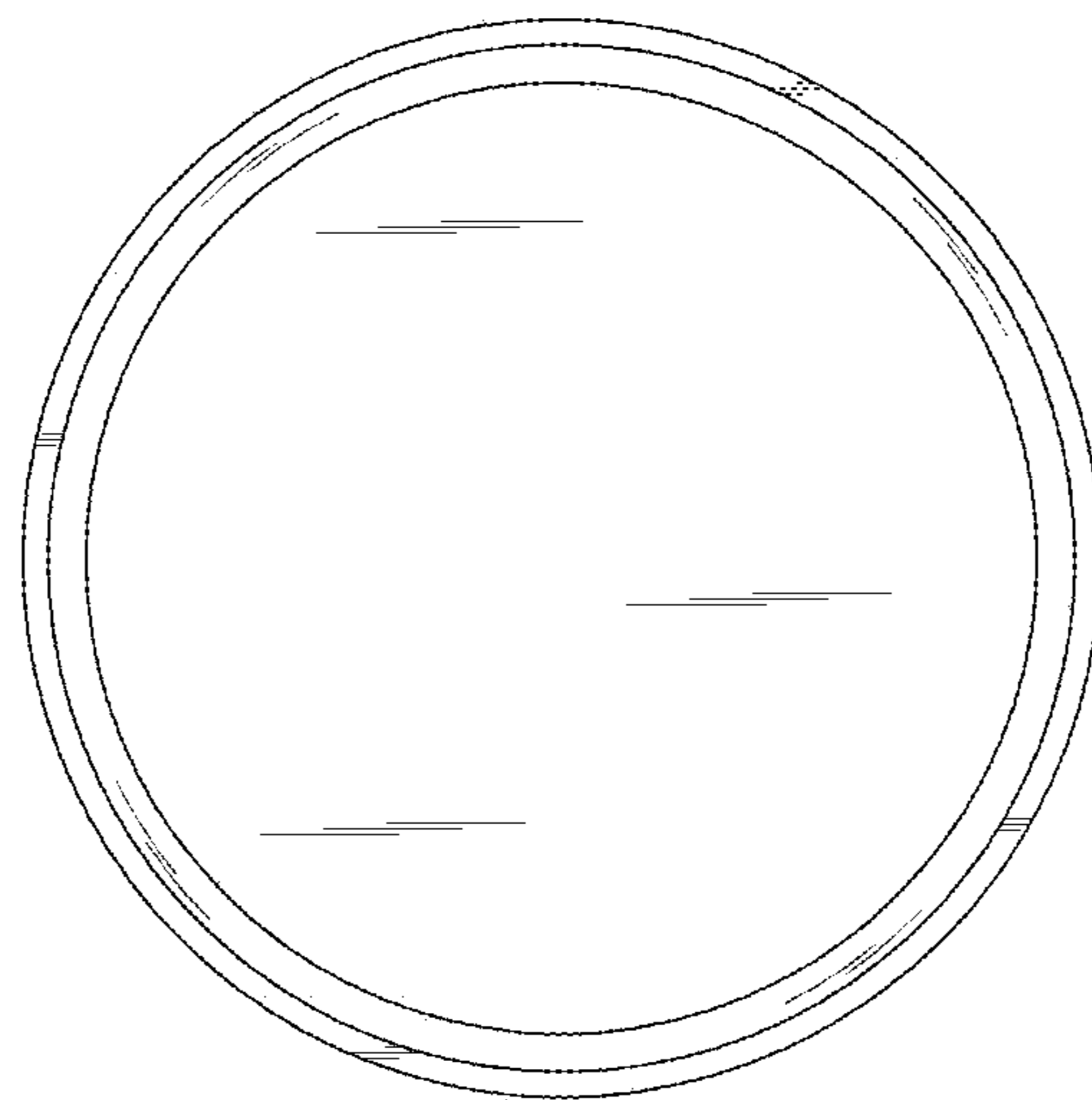


FIG. 8

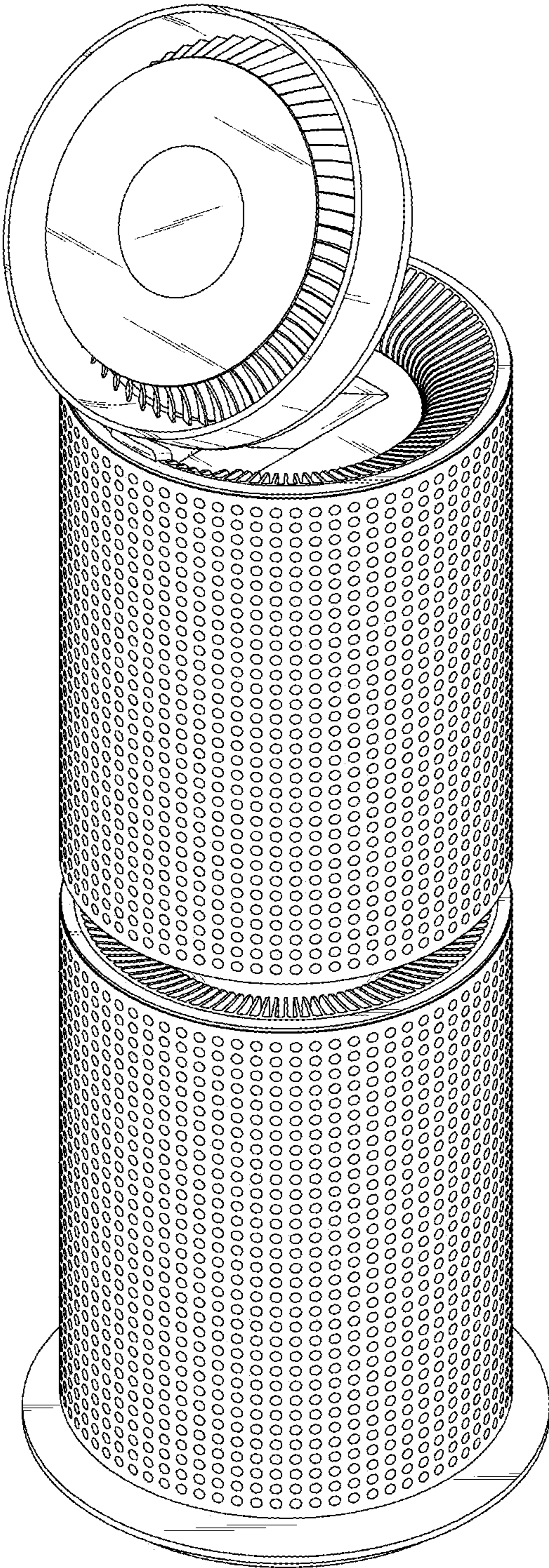


FIG. 9

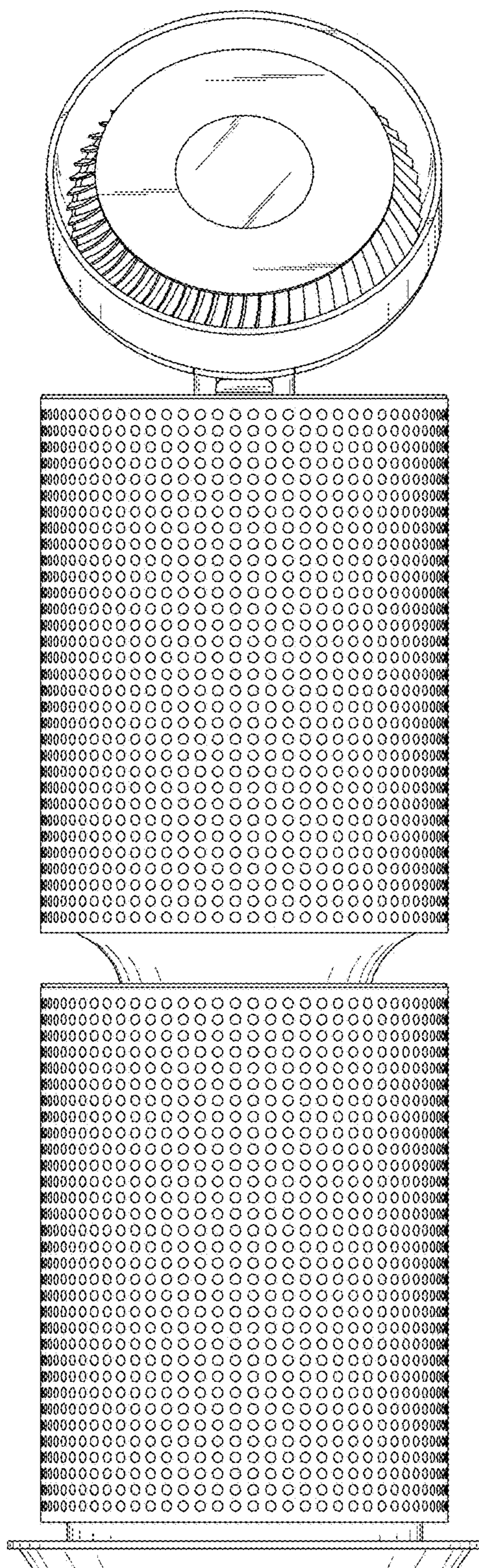


FIG. 10

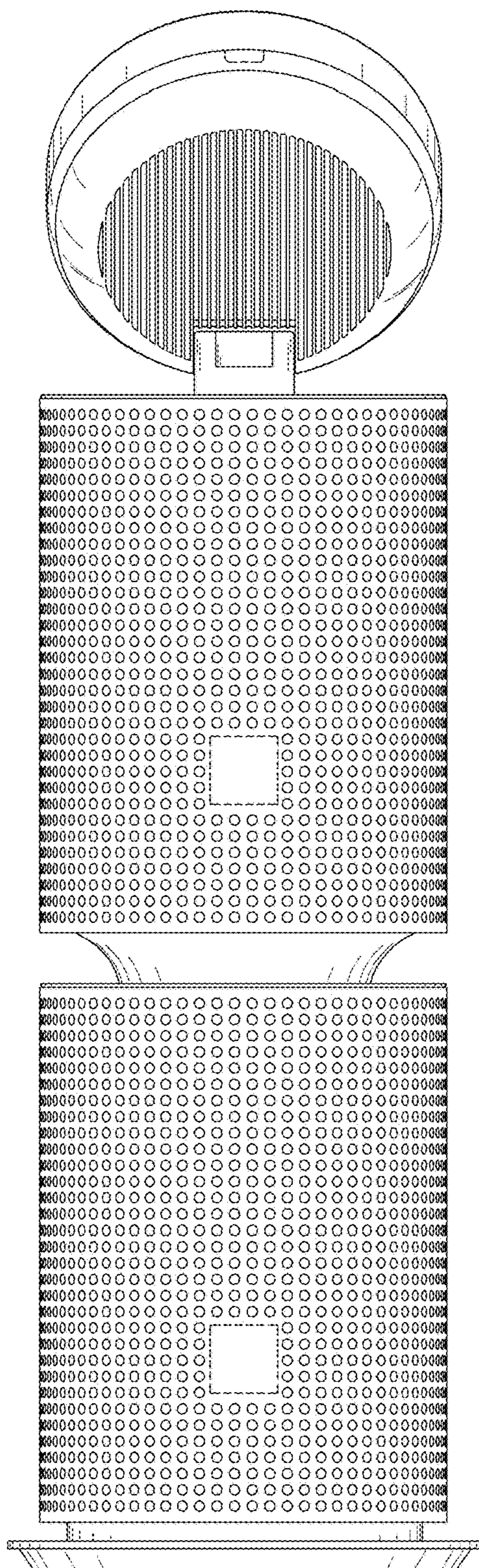


FIG. 11

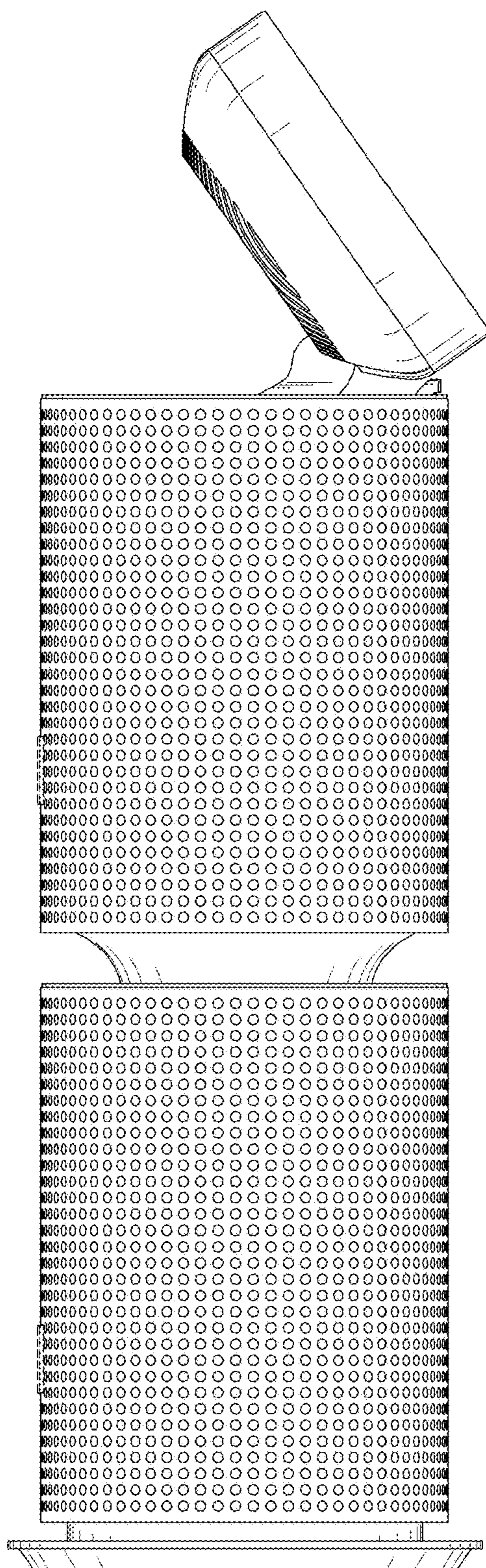


FIG. 12

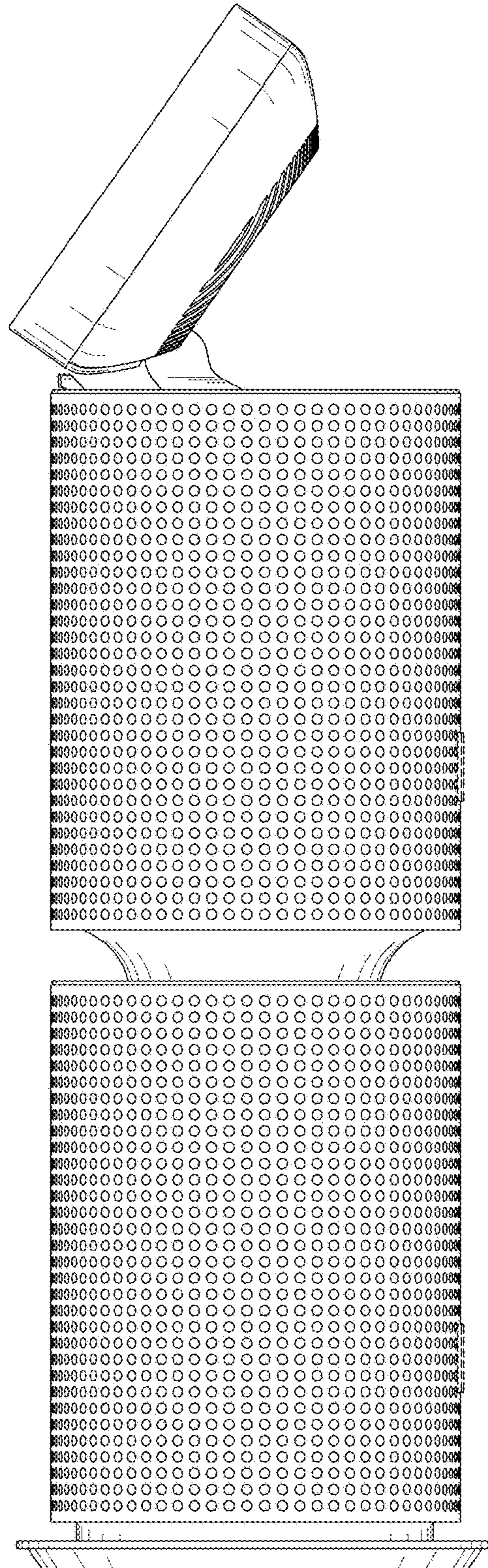


FIG. 13

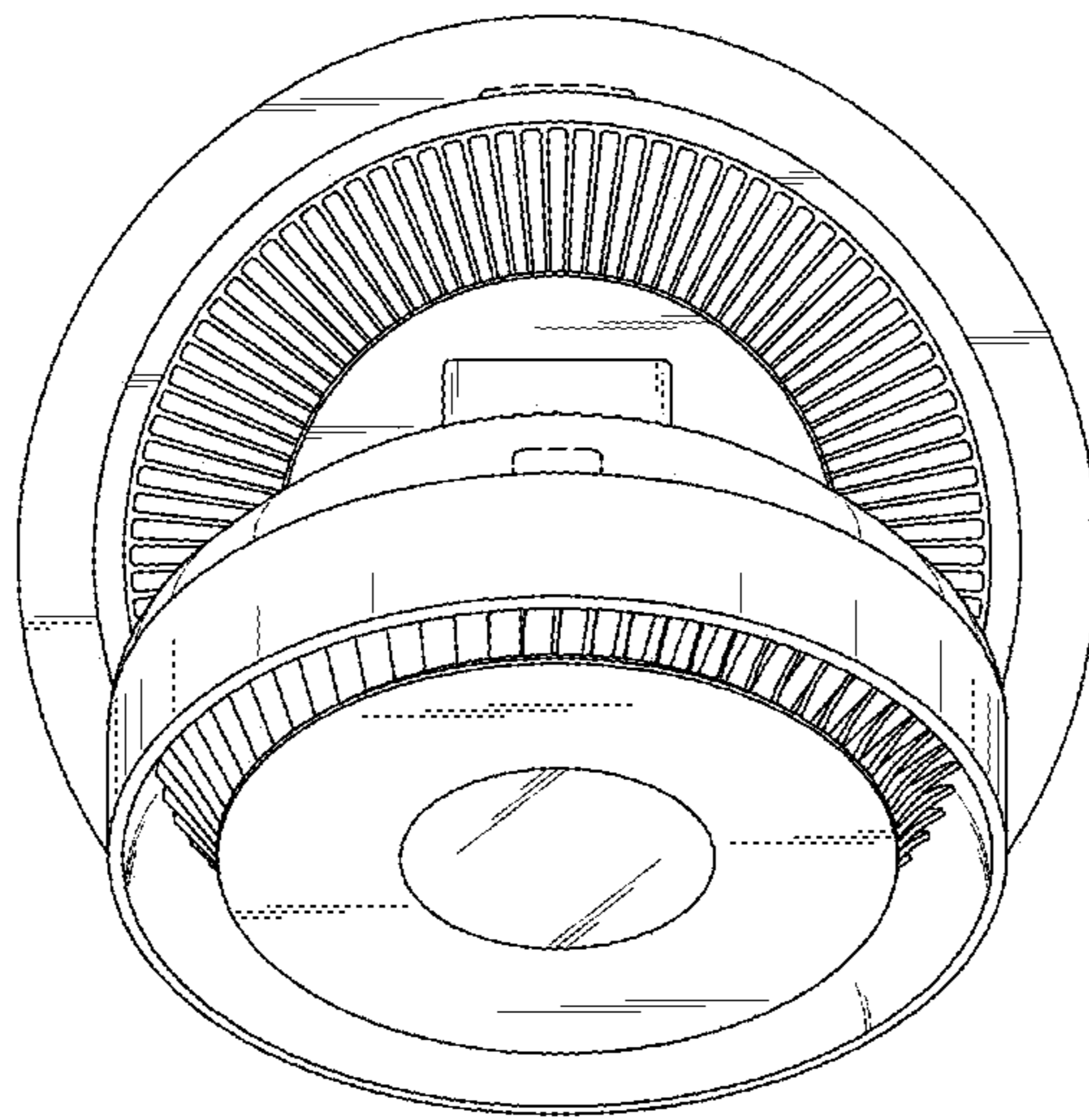


FIG. 14

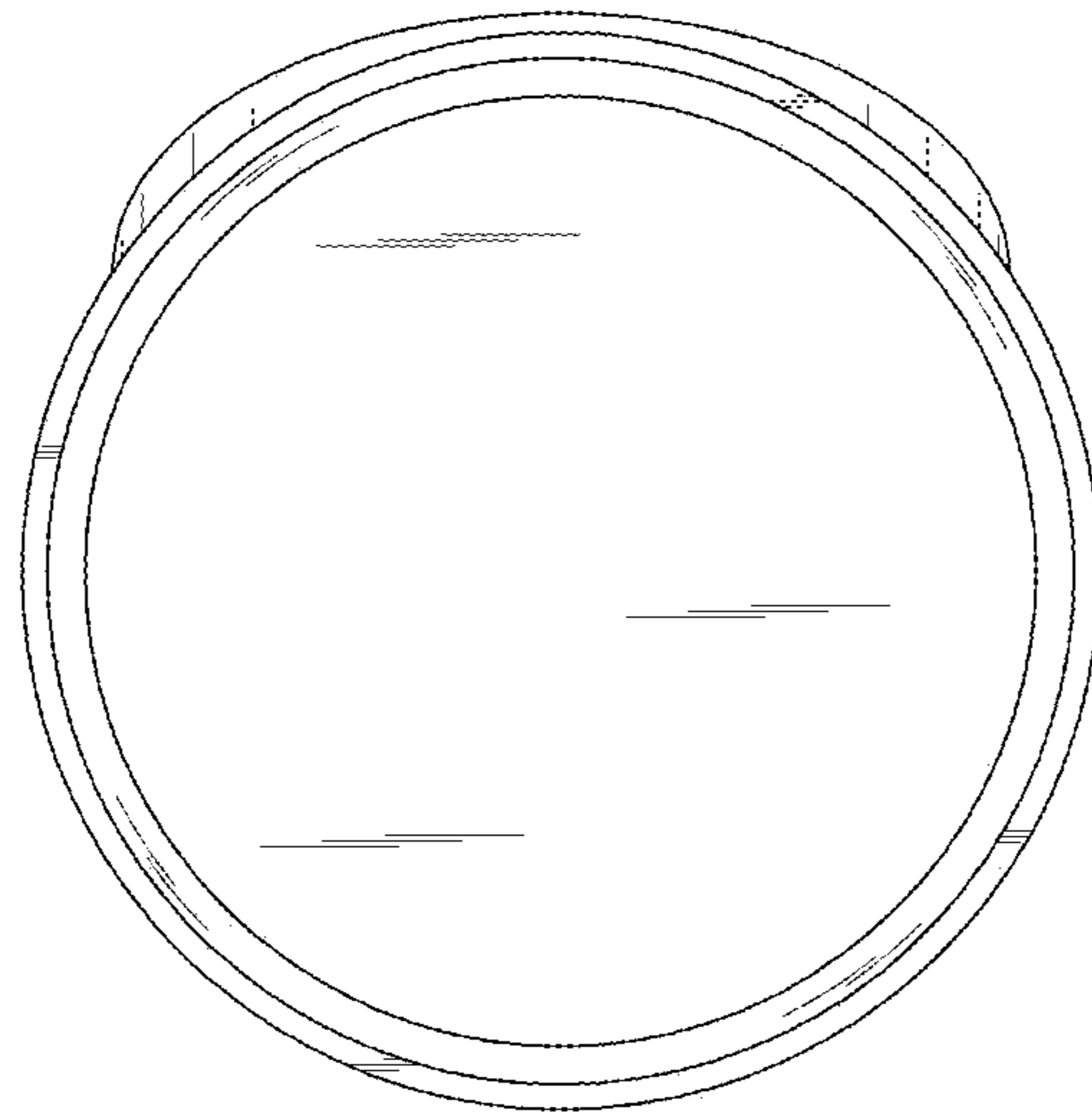


FIG. 15

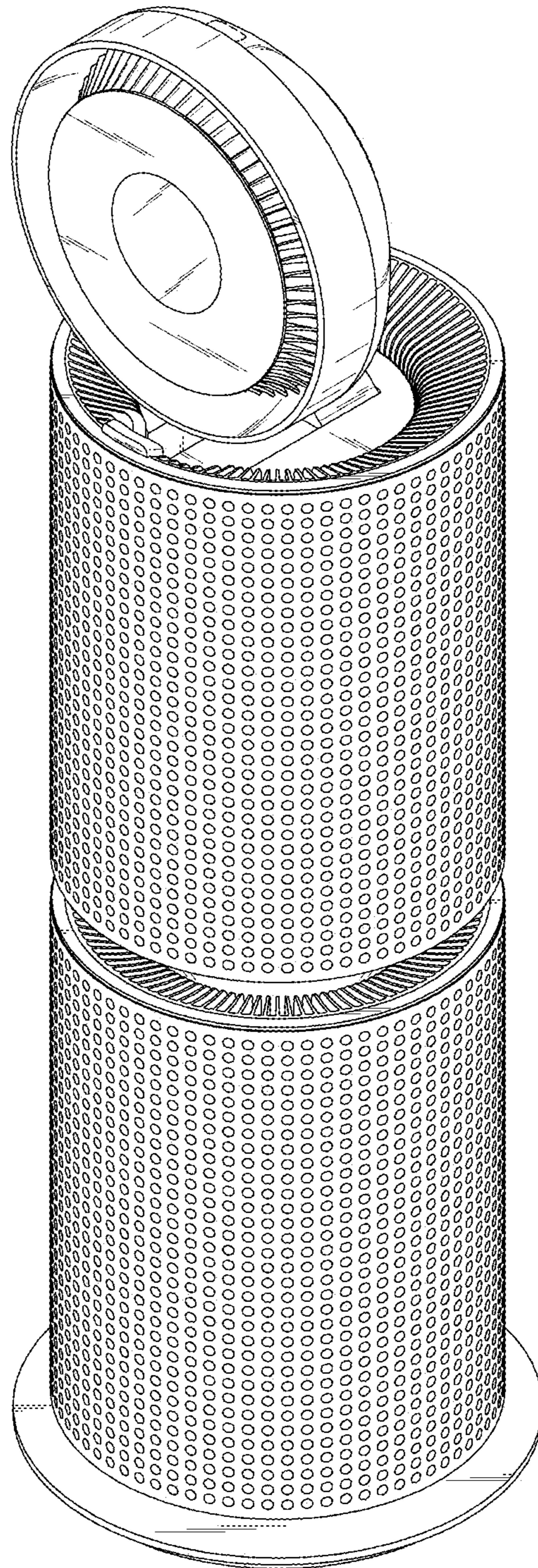


FIG. 16

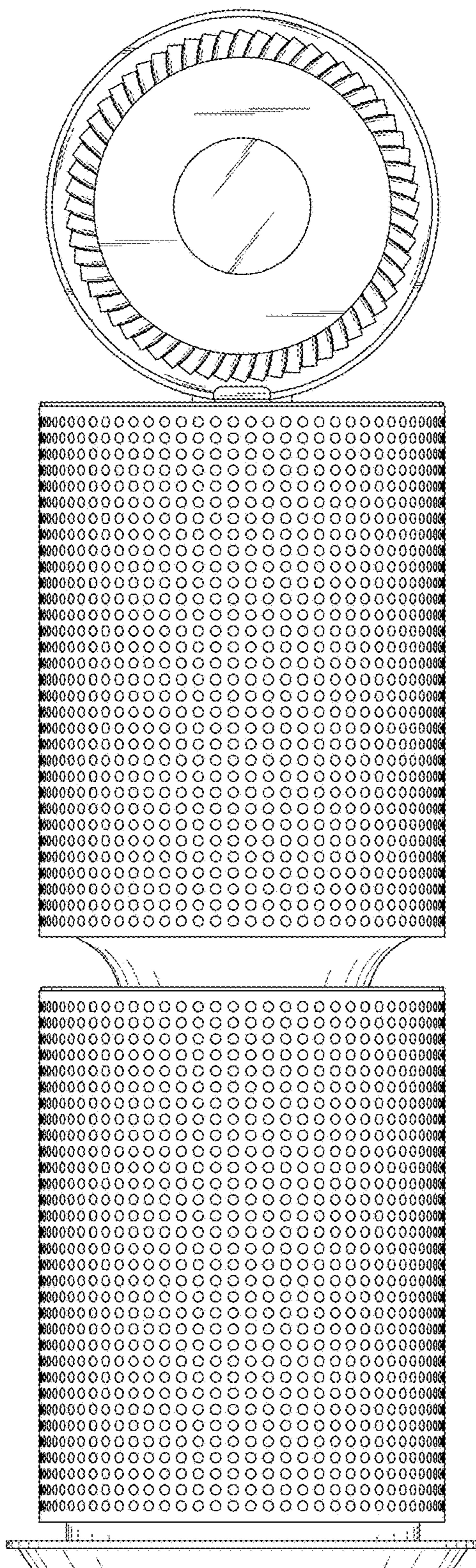


FIG. 17

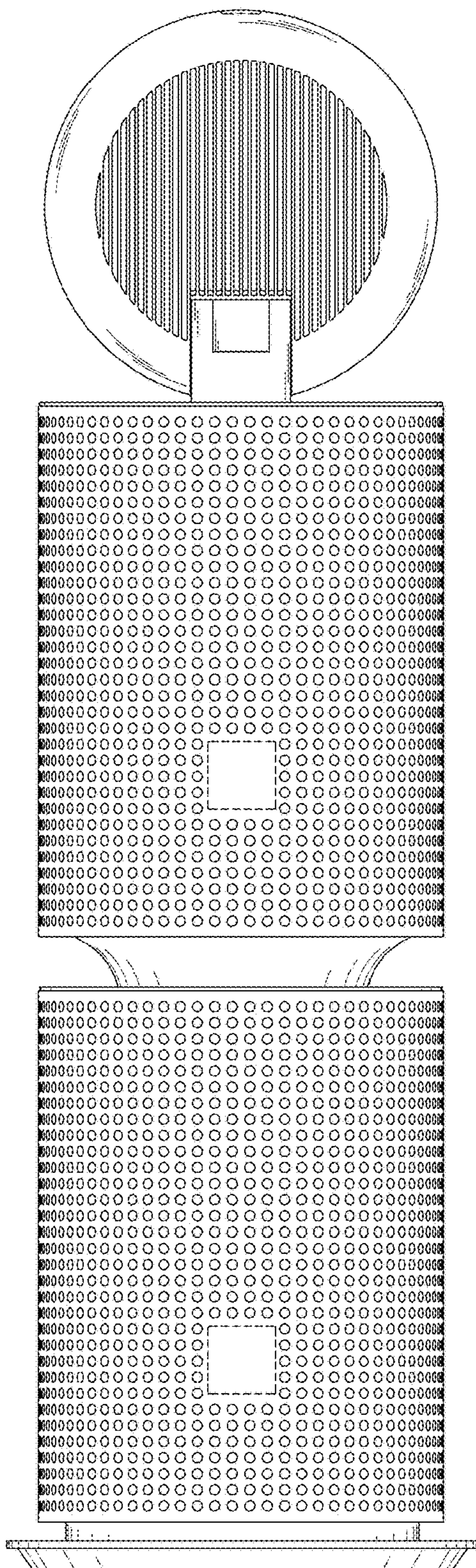


FIG. 18

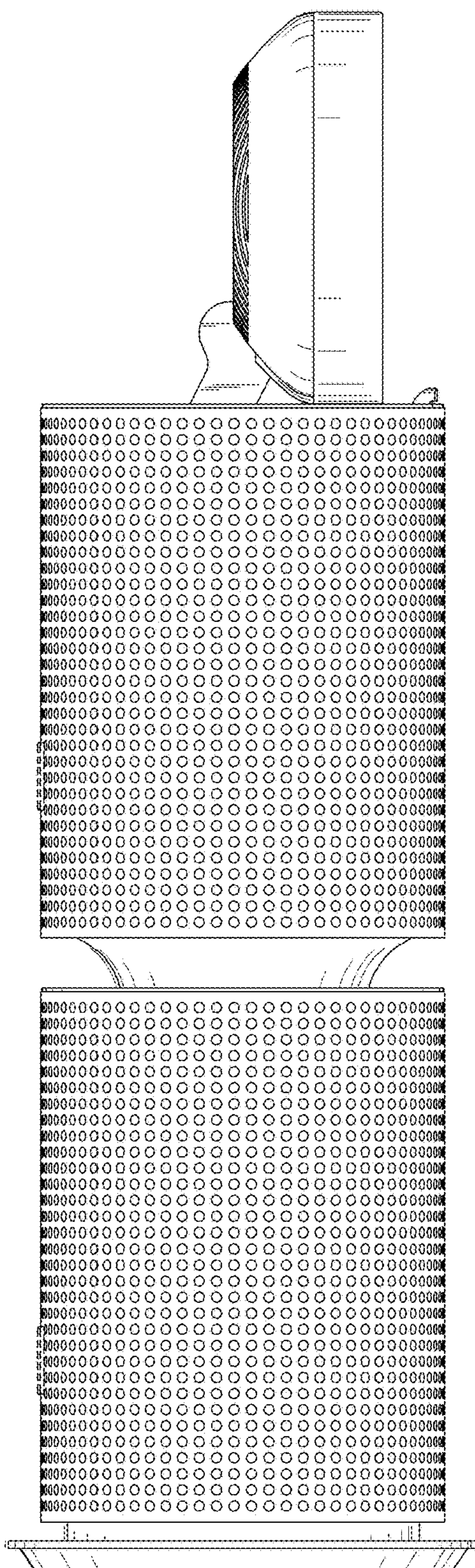


FIG. 19

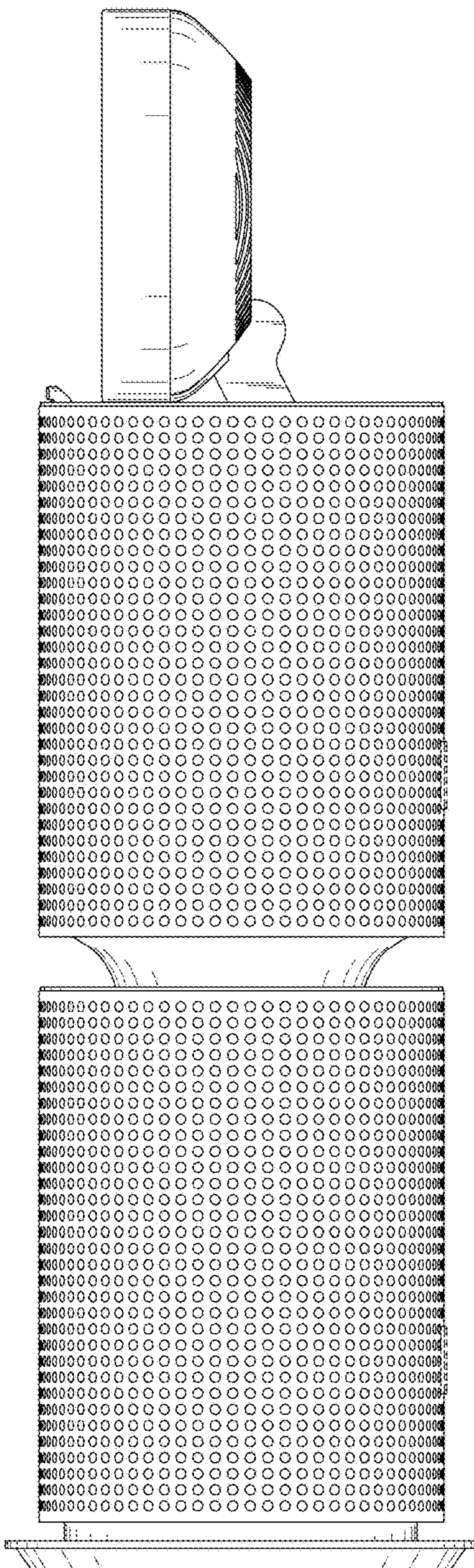


FIG. 20

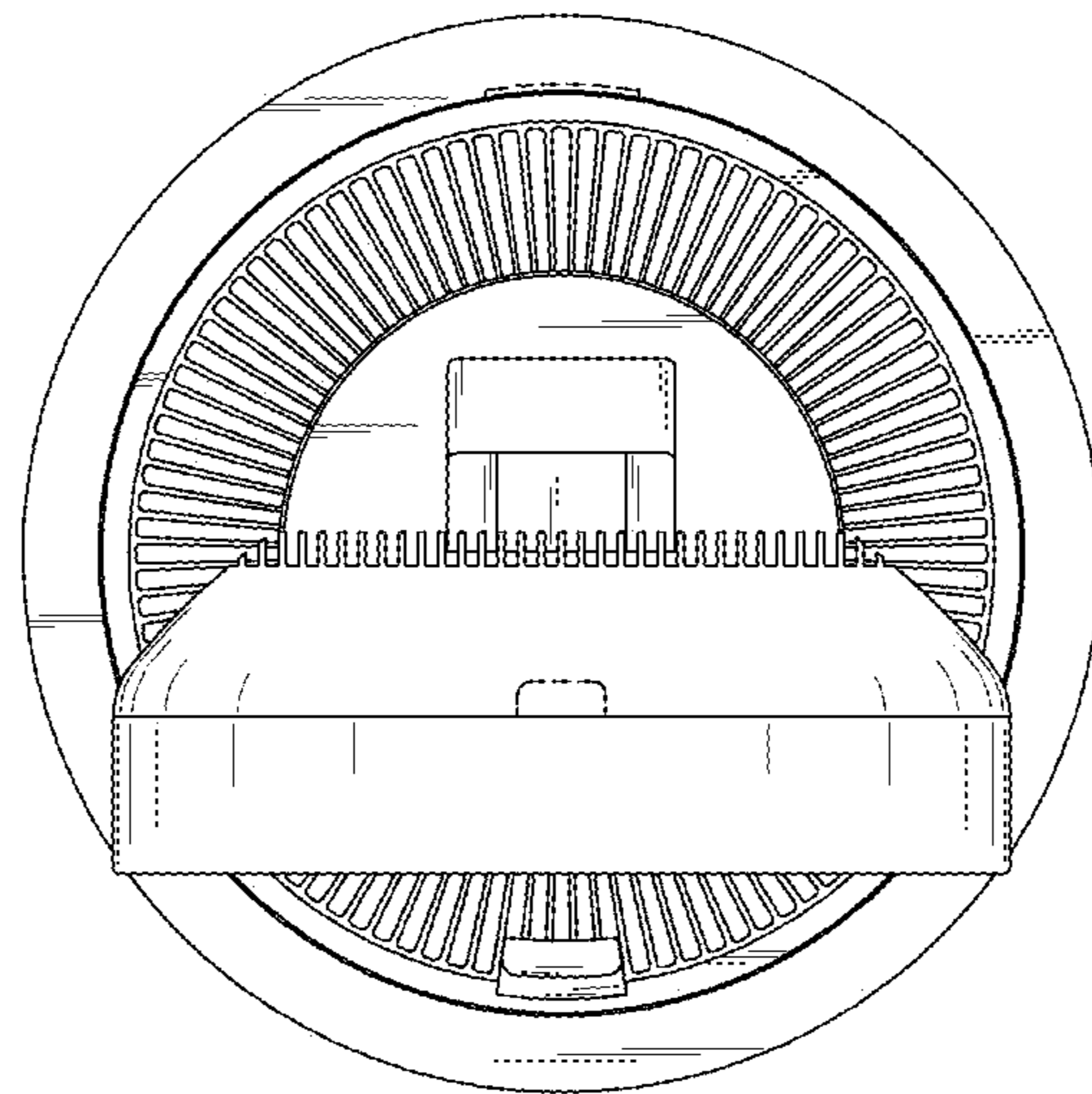


FIG. 21

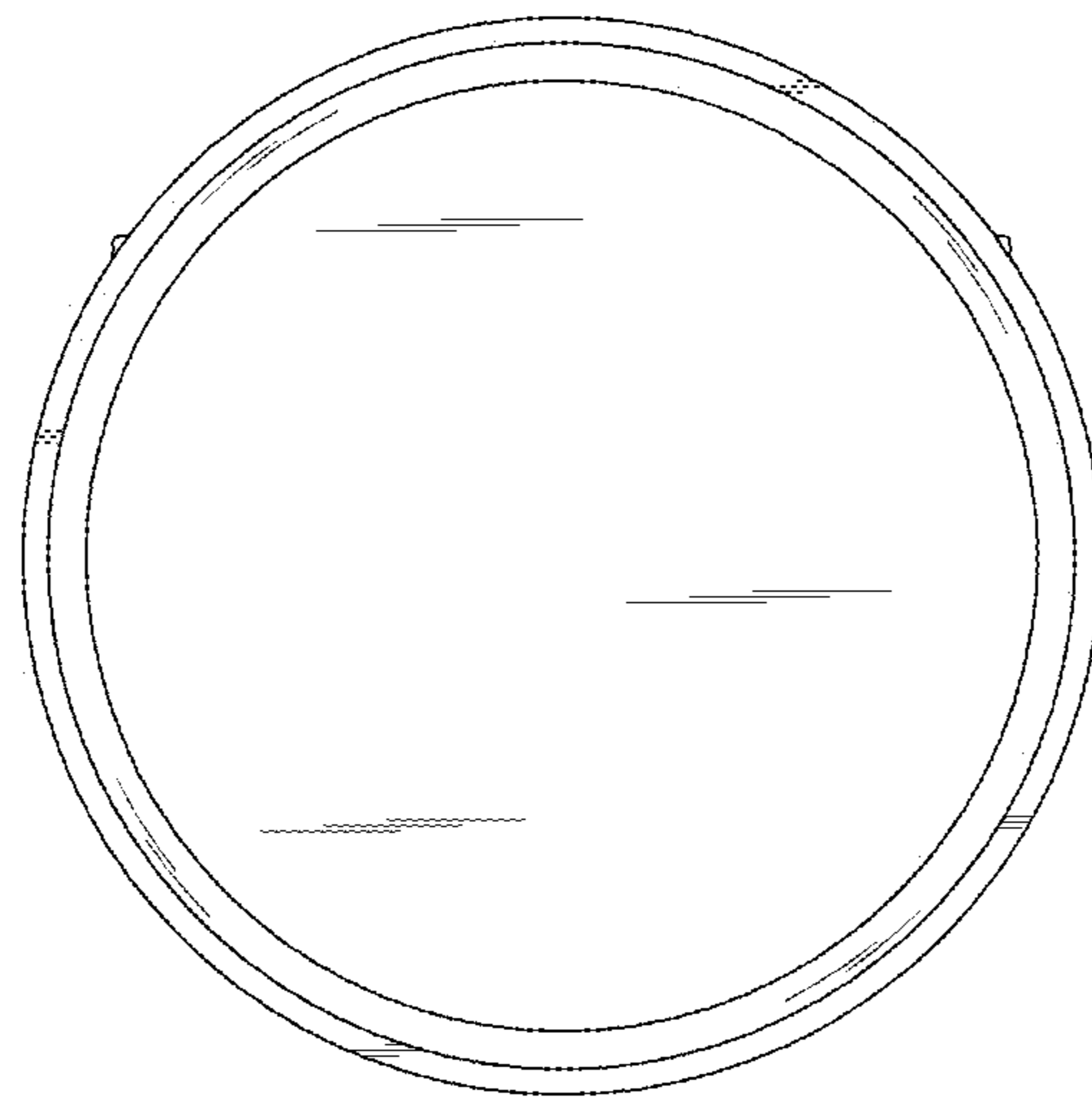


FIG. 22

