



US00D957607S

(12) **United States Design Patent**
Han et al.

(10) **Patent No.:** **US D957,607 S**
(45) **Date of Patent:** **** Jul. 12, 2022**

(54) **AIR PURIFIER**

(71) Applicant: **LG ELECTRONICS INC.**, Seoul (KR)

(72) Inventors: **Sungkyong Han**, Seoul (KR); **Sehwan Bae**, Seoul (KR); **Myungwhoon Lee**, Seoul (KR); **Kangeui Cho**, Seoul (KR); **Jiug Ha**, Seoul (KR)

(73) Assignee: **LG ELECTRONICS INC.**, Seoul (KR)

(**) Term: **15 Years**

(21) Appl. No.: **29/721,776**

(22) Filed: **Jan. 23, 2020**

(30) **Foreign Application Priority Data**

Jul. 25, 2019 (KR) 30-2019-0035870

(51) **LOC (13) Cl.** **23-04**

(52) **U.S. Cl.**
USPC **D23/364**

(58) **Field of Classification Search**
USPC .. D7/536, 538, 553.8, 554.2, 602-604, 612;
D9/428, 545, 738, 763-764, 767;
D23/332-335, 337, 342, 352, 355-366,
D23/369-370; D5/1-3, 56-63
CPC .. A61L 9/00; A61L 9/22; B01D 47/00; B01D
47/027; B01D 2259/4508; B03C 3/155;
B03C 3/368; F24F 3/16; F24F 13/20;
F24F 13/28

See application file for complete search history.

(56) **References Cited**

U.S. PATENT DOCUMENTS

D566,404 S * 4/2008 Harkenrider D5/60
D566,971 S * 4/2008 Harkenrider D5/60
D569,628 S * 5/2008 Harkenrider D5/60

D597,741 S * 8/2009 Harkenrider D5/60
D656,741 S * 4/2012 Snyder D5/60
D805,622 S * 12/2017 Lee D23/364
D818,096 S * 5/2018 Cho B01D 53/0415
D23/364
D818,097 S * 5/2018 Cho A61L 9/12
D23/364
D818,098 S * 5/2018 Cho B01D 46/0047
D23/364

(Continued)

Primary Examiner — Karen S Acker

Assistant Examiner — Jonathan E Fiencke

(74) *Attorney, Agent, or Firm* — Birch, Stewart, Kolasch & Birch, LLP

(57) **CLAIM**

We claim the ornamental design for an air purifier, as shown and described.

DESCRIPTION

FIG. 1 is a perspective view of an air purifier showing the new design;

FIG. 2 is a front elevation view thereof;

FIG. 3 is a rear elevation view thereof;

FIG. 4 is a left-side elevation view thereof;

FIG. 5 is a right-side elevation view thereof;

FIG. 6 is a top plan view thereof;

FIG. 7 is a bottom plan view thereof;

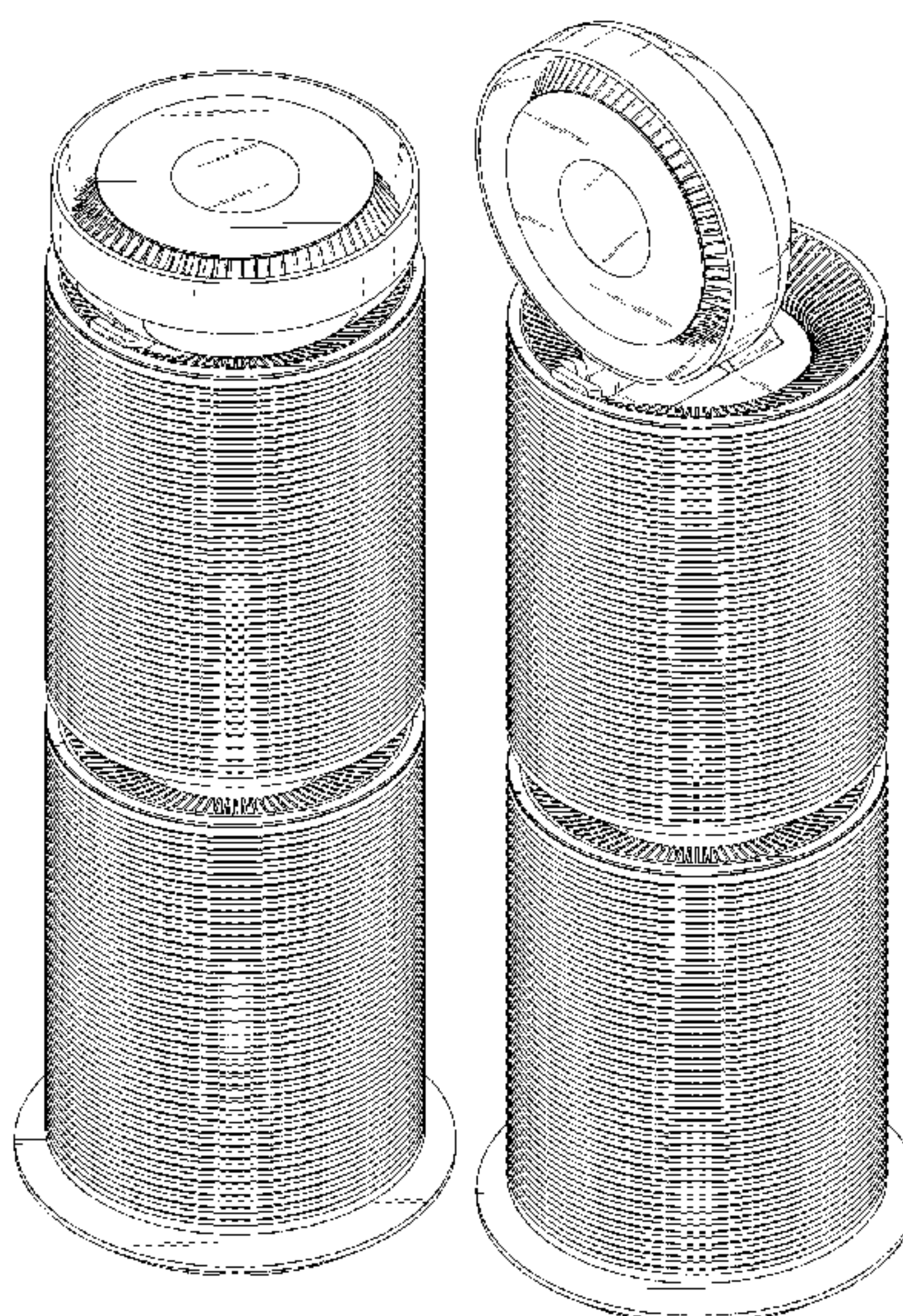
FIG. 8 is a perspective view thereof, showing the circulator part at an angle;

FIG. 9 is a perspective view thereof, showing the circulator part at another angle; and,

FIG. 10 is a partial perspective view thereof, showing the air purifier in a state of use.

The evenly spaced broken lines and unshaded areas depict portions of the air purifier that form no part of the claimed design. The dot-dash-dot broken line in FIG. 10 denotes the boundary of the partial view and forms no part of the claimed design.

1 Claim, 10 Drawing Sheets



(56)

References Cited

U.S. PATENT DOCUMENTS

D829,313 S * 9/2018 Cho F24F 13/28
D23/364
D829,314 S * 9/2018 Cho F24F 13/082
D23/364
D832,414 S * 10/2018 Sharma D23/364
2018/0256770 A1* 9/2018 Jang A61L 9/12
2019/0264948 A1* 8/2019 Jung B01D 46/0047
2020/0188827 A1* 6/2020 Yang B01D 53/0415
2021/0278097 A1* 9/2021 Min F24F 13/20
2022/0011009 A1* 1/2022 Lee F24F 13/28
2022/0011011 A1* 1/2022 Yang F24F 13/082

* cited by examiner

FIG. 1

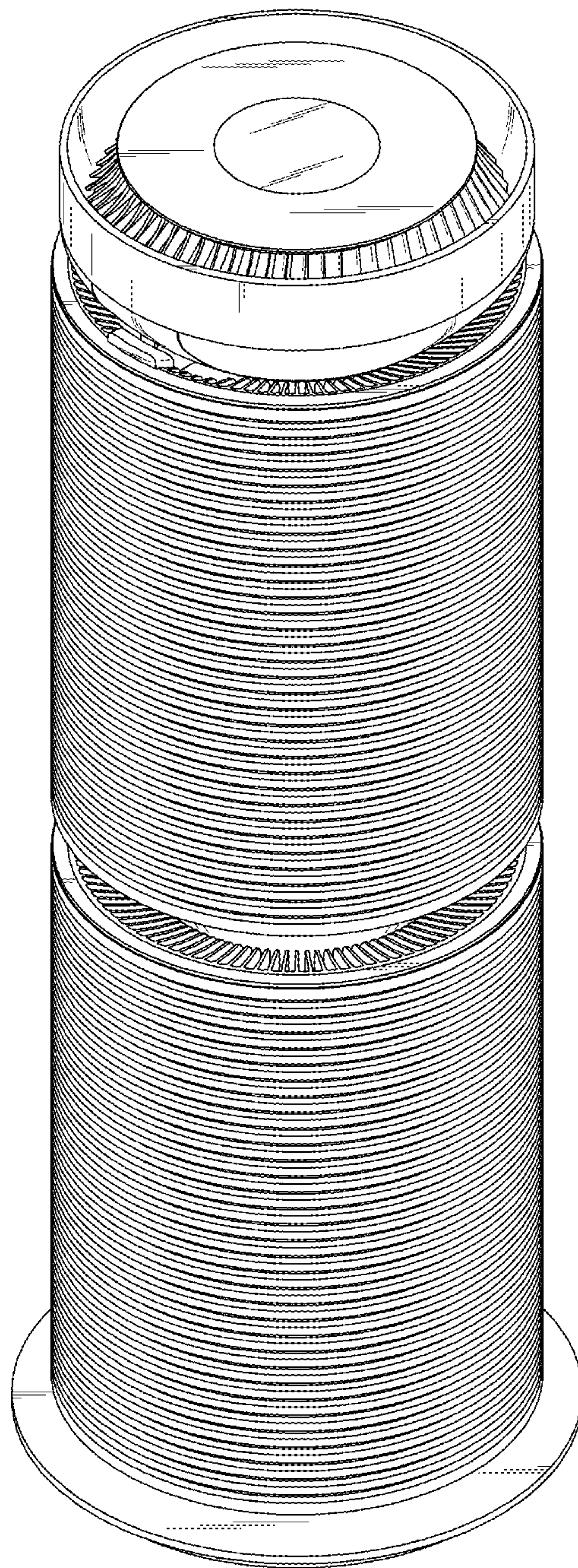


FIG. 2

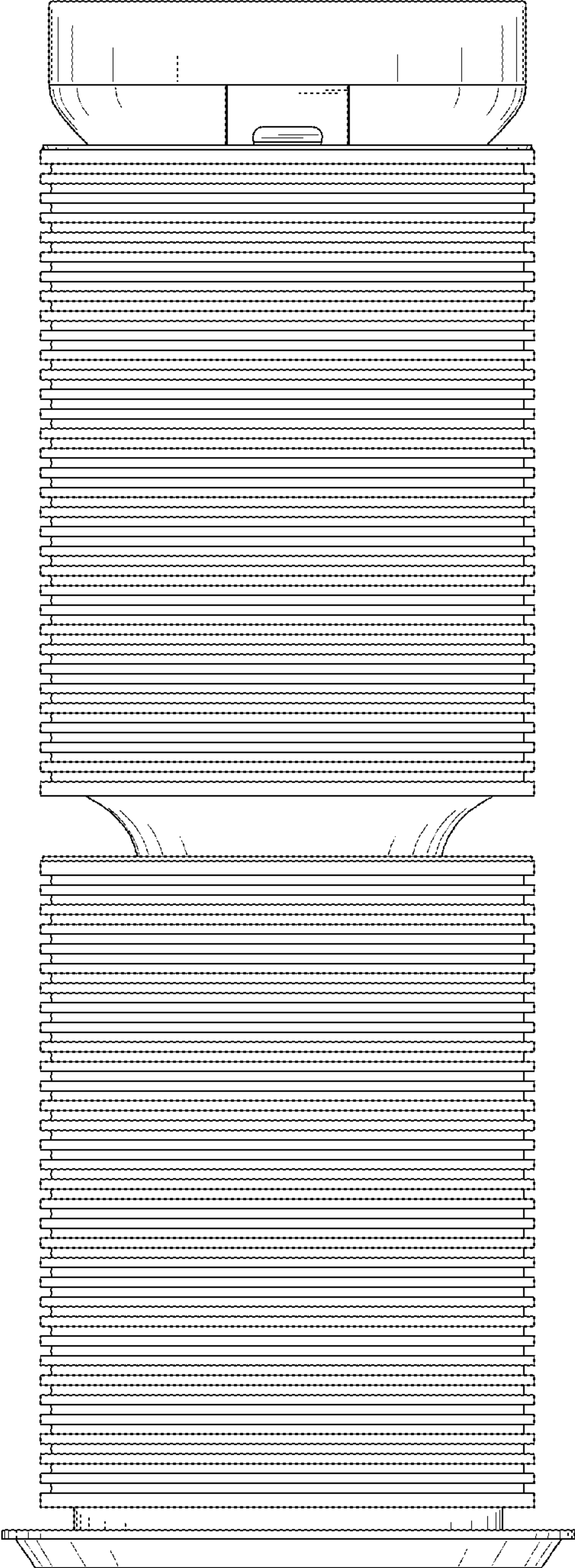


FIG. 3

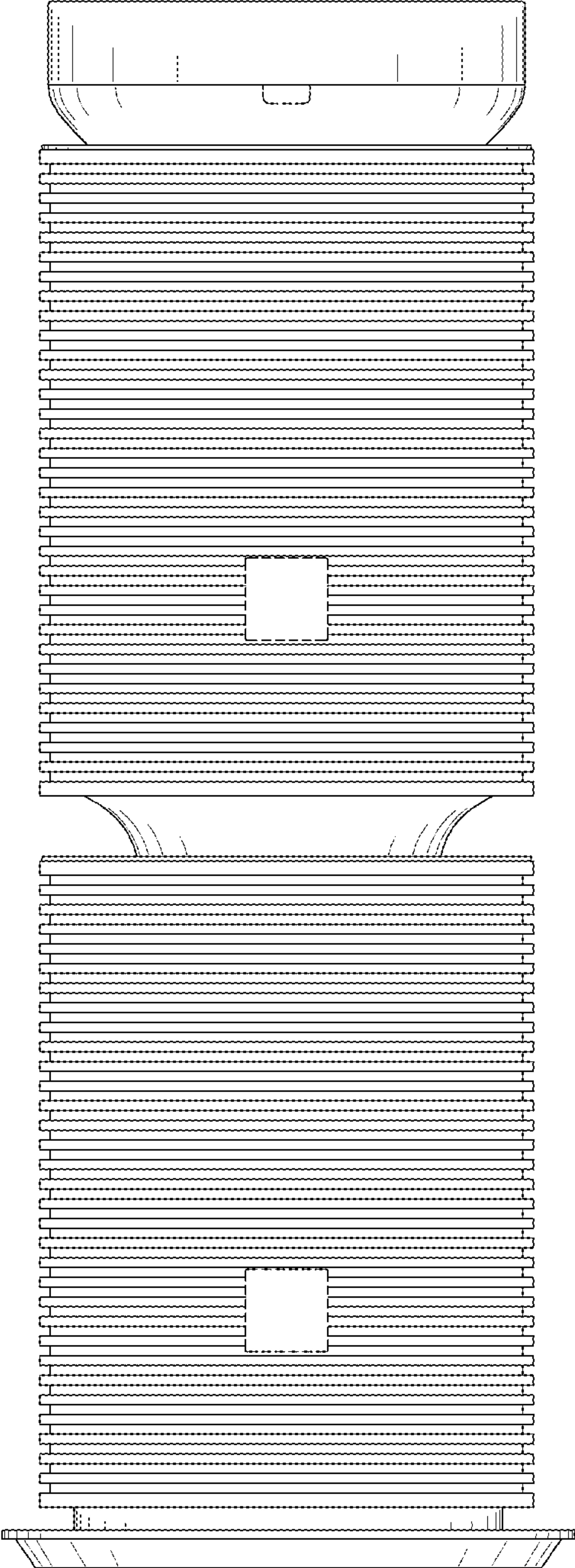


FIG. 4

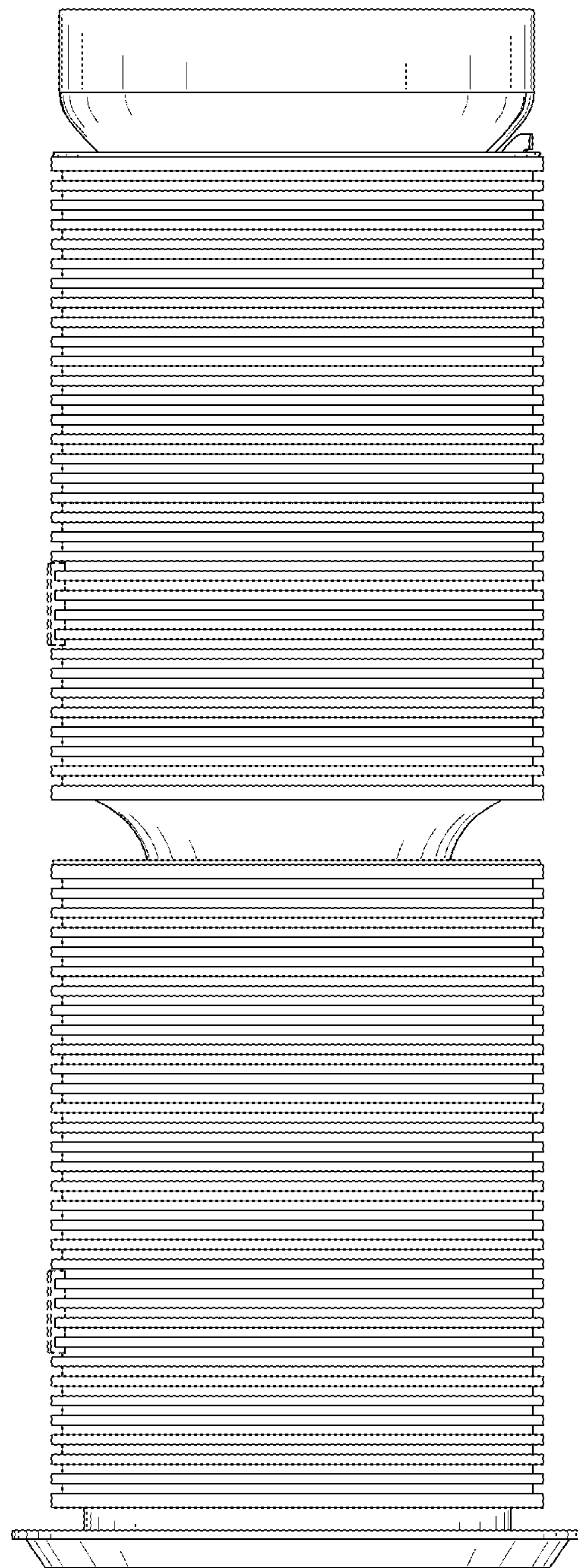


FIG. 5

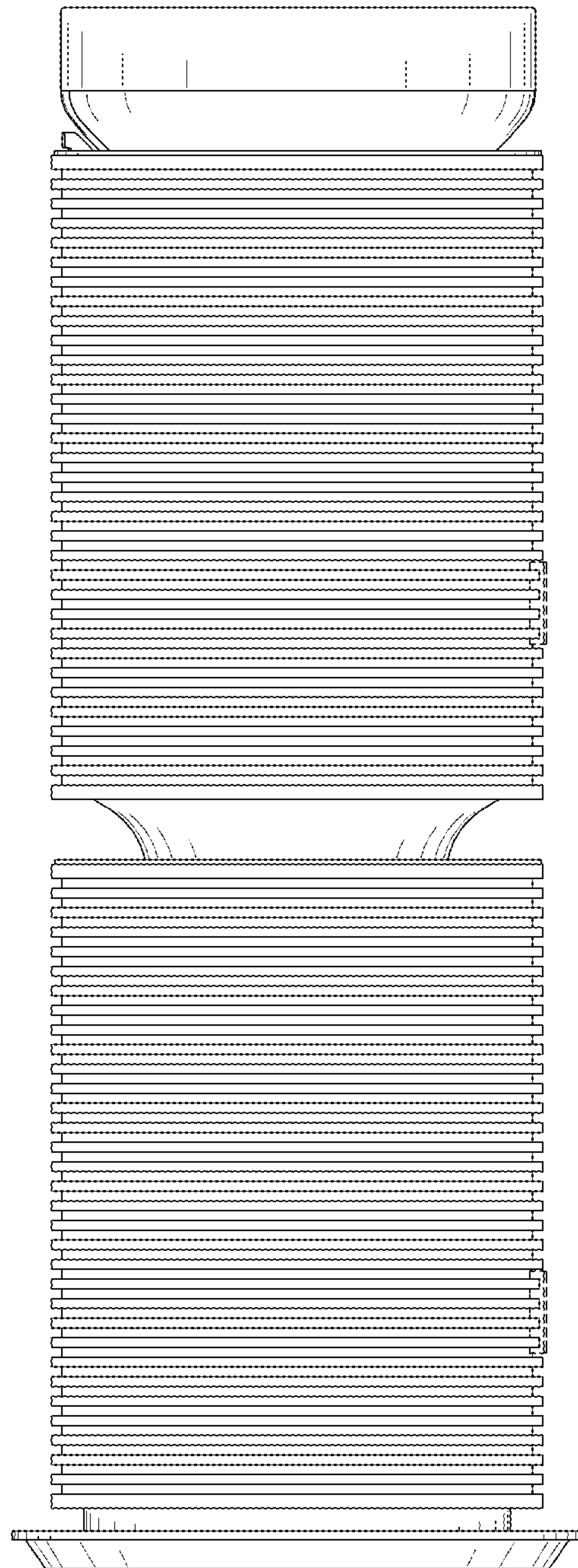


FIG. 6

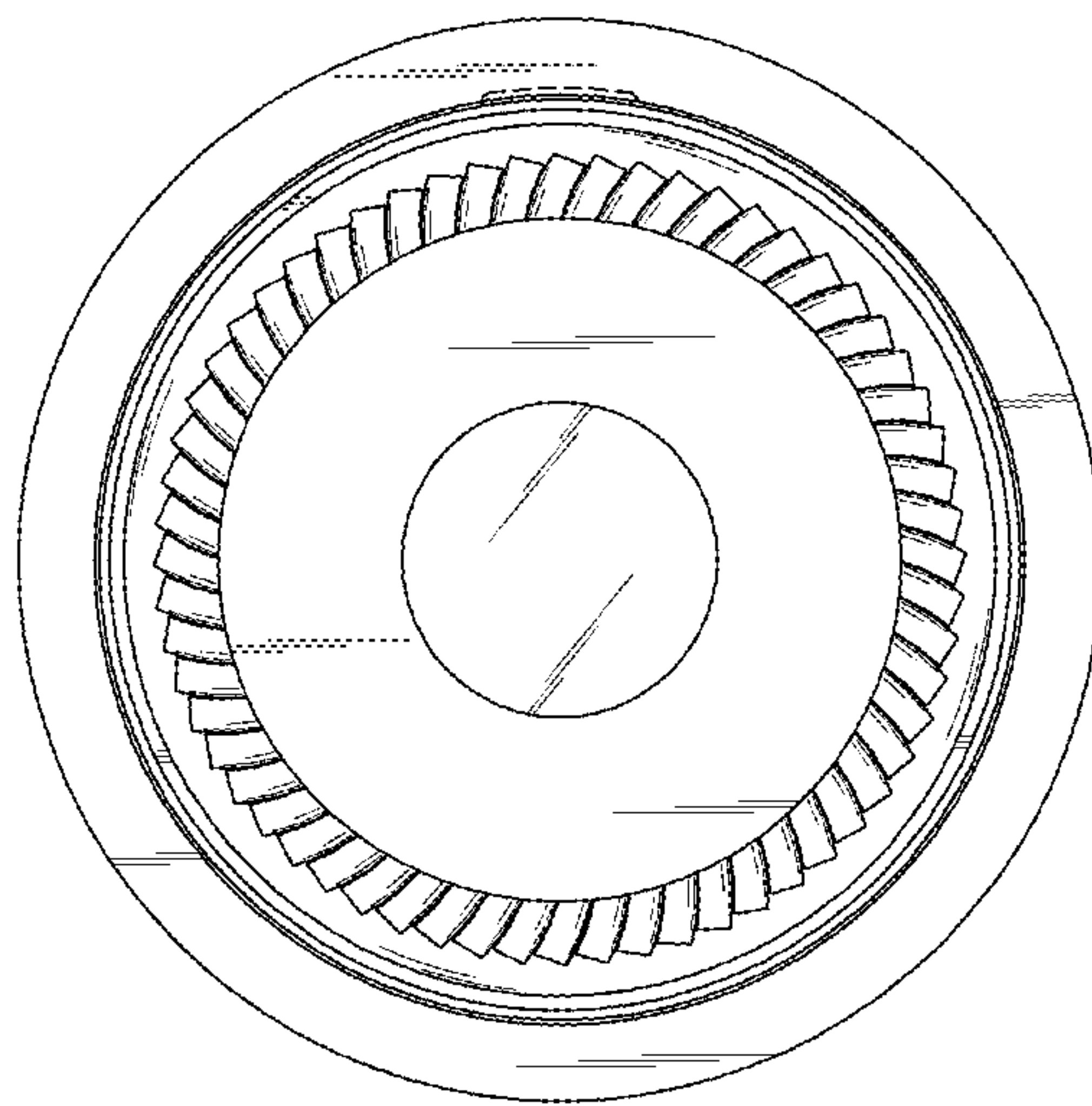


FIG. 7

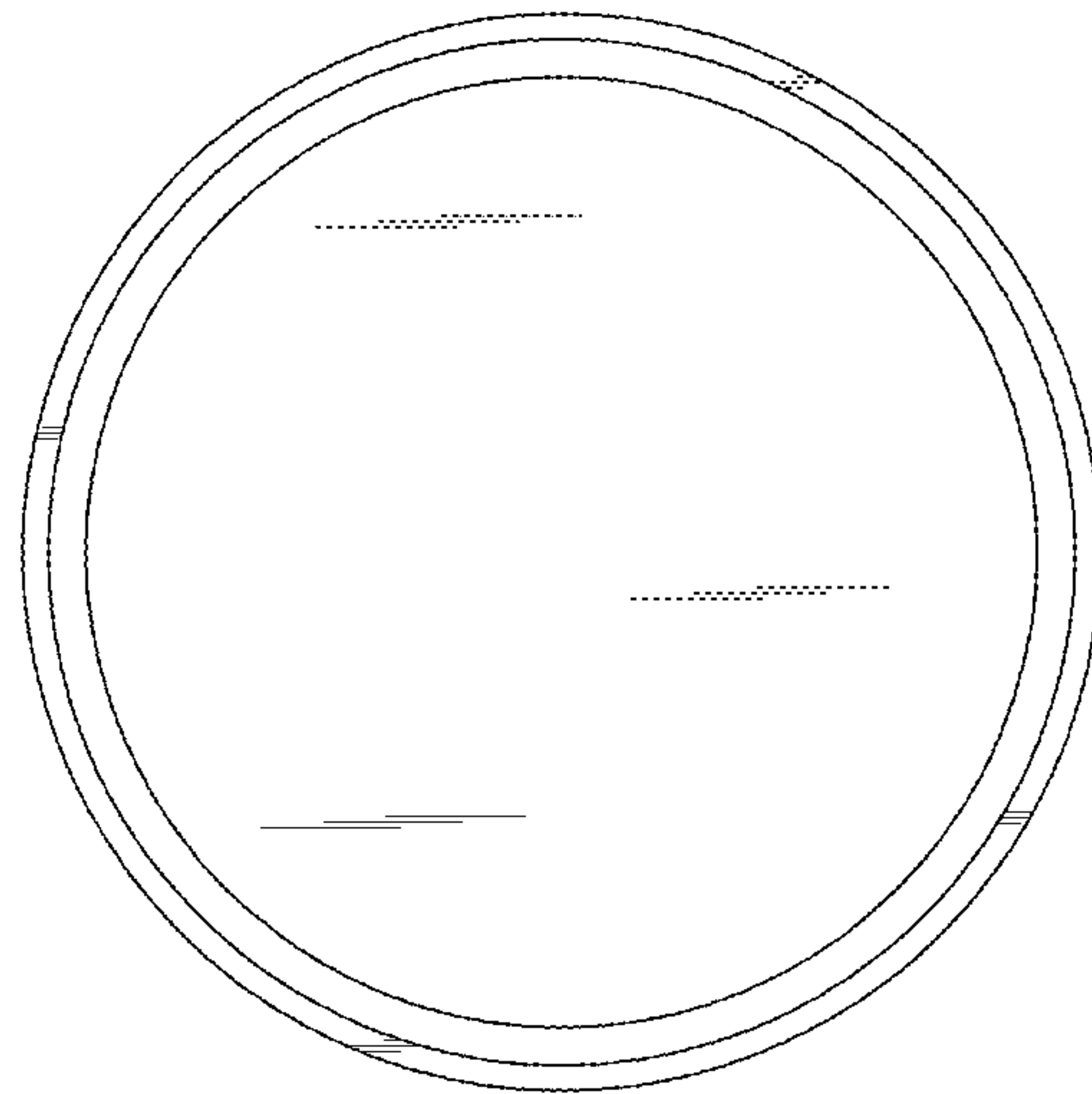


FIG. 8

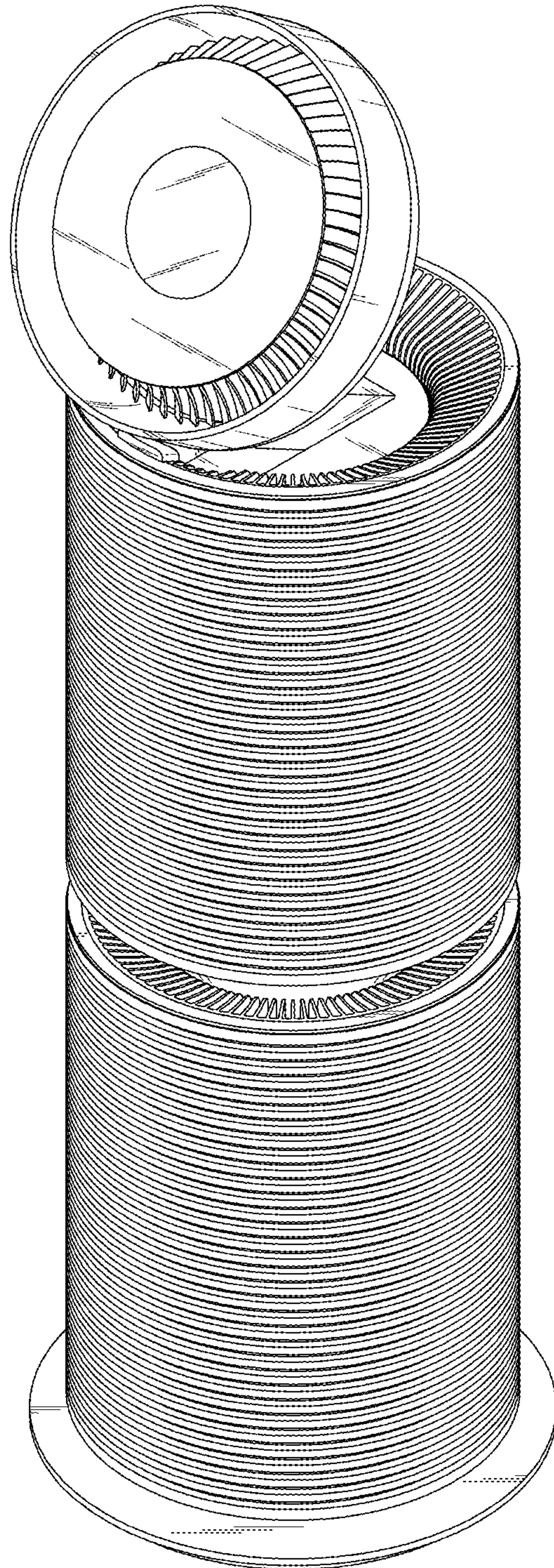


FIG. 9

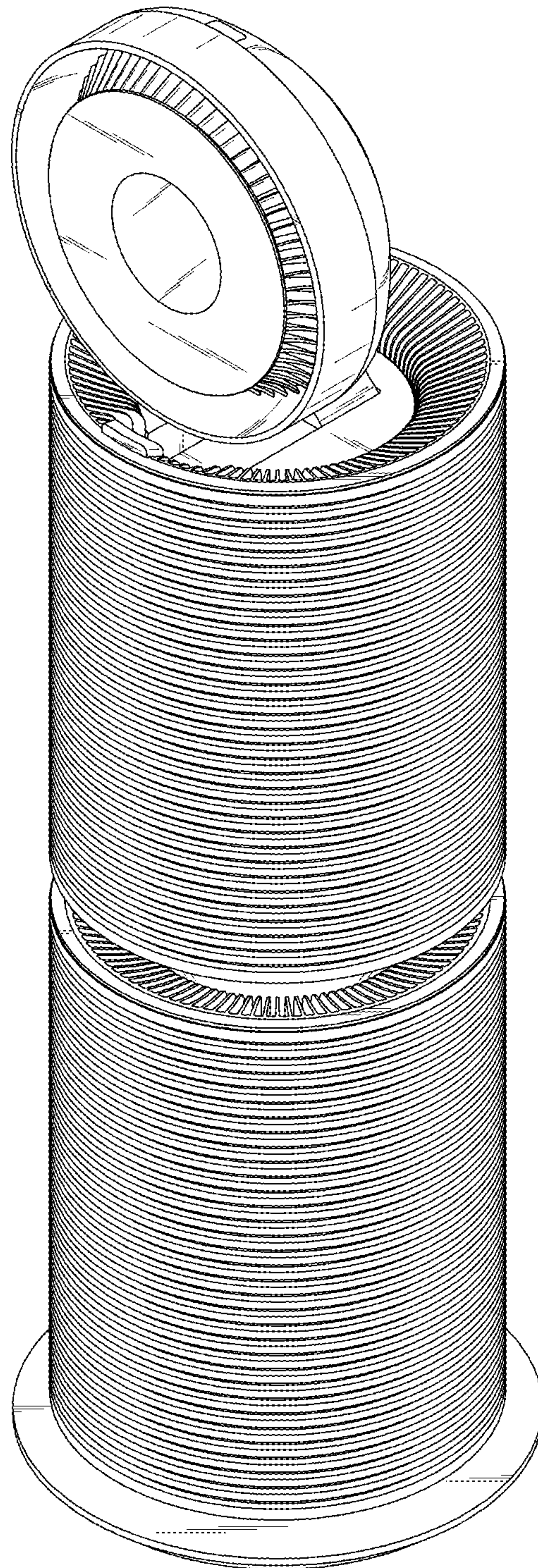


FIG. 10

