



US00D957605S

(12) **United States Design Patent**  
**Hamasaki et al.**

(10) **Patent No.:** **US D957,605 S**  
(45) **Date of Patent:** **\*\* \*Jul. 12, 2022**

(54) **AIR CONDITIONER**

D667,095 S \* 9/2012 Yamana ..... D23/351  
D669,161 S \* 10/2012 Yamana ..... D23/351  
D669,566 S \* 10/2012 Yamana ..... D23/351

(71) Applicant: **Mitsubishi Electric Corporation,**  
Tokyo (JP)

(Continued)

(72) Inventors: **Izuru Hamasaki,** Tokyo (JP); **Satoshi Arai,** Tokyo (JP); **Takanori Ikegaya,** Tokyo (JP)

FOREIGN PATENT DOCUMENTS

JP 1658503 S 4/2020  
JP 1658504 S 4/2020

(73) Assignee: **Mitsubishi Electric Corporation,**  
Tokyo (JP)

OTHER PUBLICATIONS

(\* ) Notice: This patent is subject to a terminal disclaimer.

An Office Action; "Notice of Reasons for Rejection," mailed by the Japanese Patent Office dated Sep. 1, 2020, which corresponds to Japanese Patent Application No. 2020-006493 and is related to U.S. Appl. No. 29/753,740; with English language translation.

(\*\*) Term: **15 Years**

*Primary Examiner* — Gino Colan

*Assistant Examiner* — David OBrien

(21) Appl. No.: **29/753,740**

(22) Filed: **Oct. 1, 2020**

(74) *Attorney, Agent, or Firm* — Studebaker & Brackett PC

(30) **Foreign Application Priority Data**

Apr. 1, 2020 (JP) ..... 2020-006493 D

(51) **LOC (13) Cl.** ..... **23-04**

(57) **CLAIM**

(52) **U.S. Cl.**  
USPC ..... **D23/351**

The ornamental design for an air conditioner, as shown and described.

(58) **Field of Classification Search**

**DESCRIPTION**

USPC ..... D23/333, 335, 351-367, 388; D13/111, D13/102; D15/7-9.3, 144, 144.2; D34/7  
CPC . A01G 13/06; A24F 25/00; A61L 9/00; A61L 9/03; A61L 9/04; A61L 9/14; A61L 9/015; A61L 9/032; A61L 9/035; A61L 9/122; A61L 2209/14; B05B 7/1686; F24F 1/00; F24F 1/027; F24F 1/02; F24F 1/08; F24F 1/42; F24F 1/56; F24F 1/60; F24F 1/62; F24F 1/64; F24F 1/0007; F24F 3/12; F24F 3/14; F24F 3/16; F24F 3/048; F24F 13/32; F24F 2221/20

FIG. 1. is a front perspective view of the front, right, and bottom sides of an air conditioner showing our new design; FIG. 2. is a front view thereof; FIG. 3. is a rear view thereof; FIG. 4. is a left side view thereof; FIG. 5. is a right side view thereof; FIG. 6. is a top plan view thereof; FIG. 7. is a bottom plan view thereof; and, FIG. 8. is an enlarged end view of cutting part at 8-8 in FIG. 2 omitting internal mechanism.

See application file for complete search history.

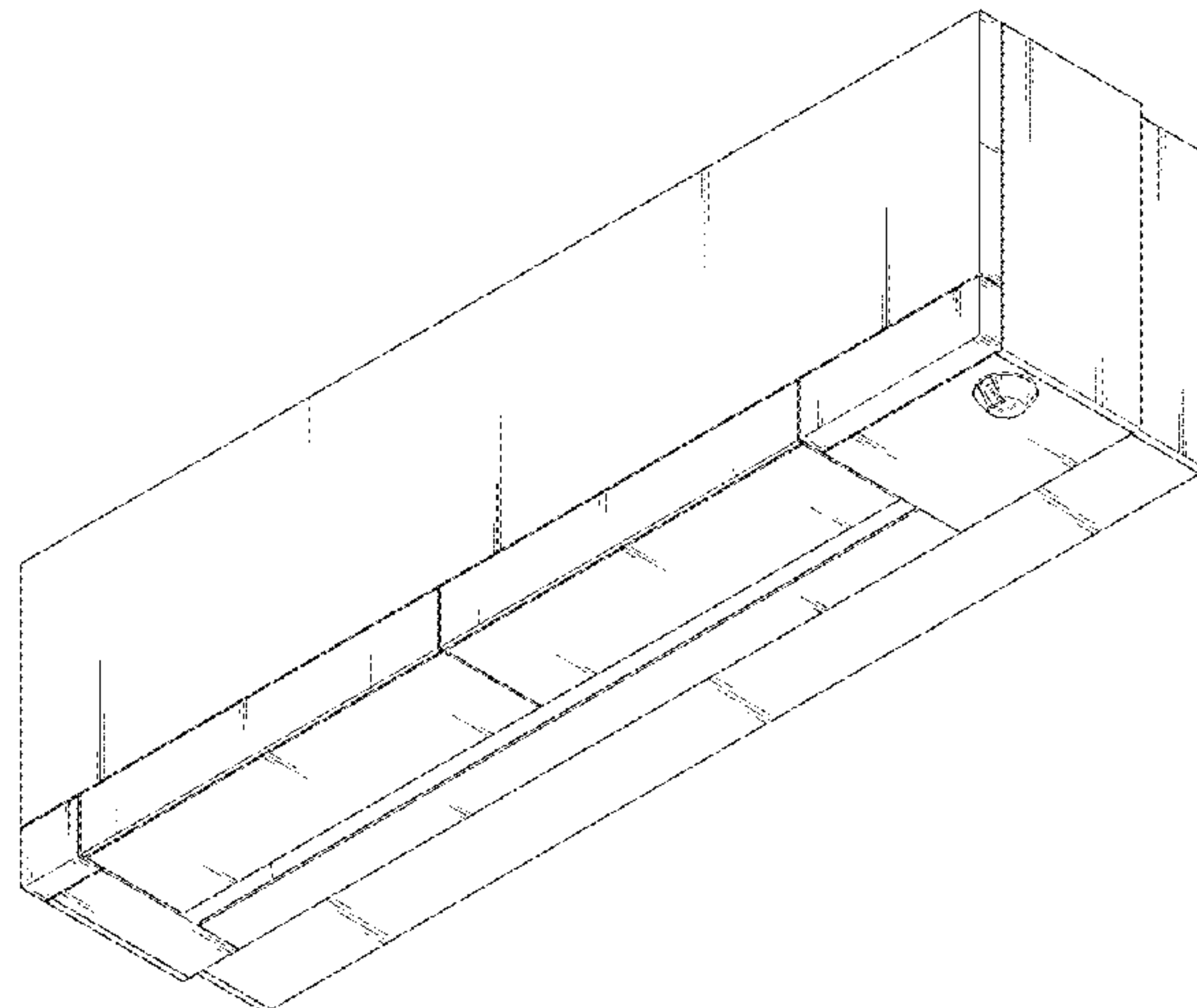
The broken lines shown in the figures are for the purpose of illustrating portions of the air conditioner and form no part of the claimed design.

(56) **References Cited**

U.S. PATENT DOCUMENTS

D612,469 S \* 3/2010 Nagahori ..... D23/351  
D623,281 S \* 9/2010 Ishida ..... D23/351

**1 Claim, 8 Drawing Sheets**



(56)

**References Cited**

U.S. PATENT DOCUMENTS

D669,567 S	*	10/2012	Yamana	.....	D23/351
D670,799 S	*	11/2012	Yamana	.....	D23/351
D849,910 S	*	5/2019	Arai	.....	D23/351
D849,911 S	*	5/2019	Arai	.....	D23/351
D849,912 S	*	5/2019	Arai	.....	D23/351

\* cited by examiner

Fig. 1

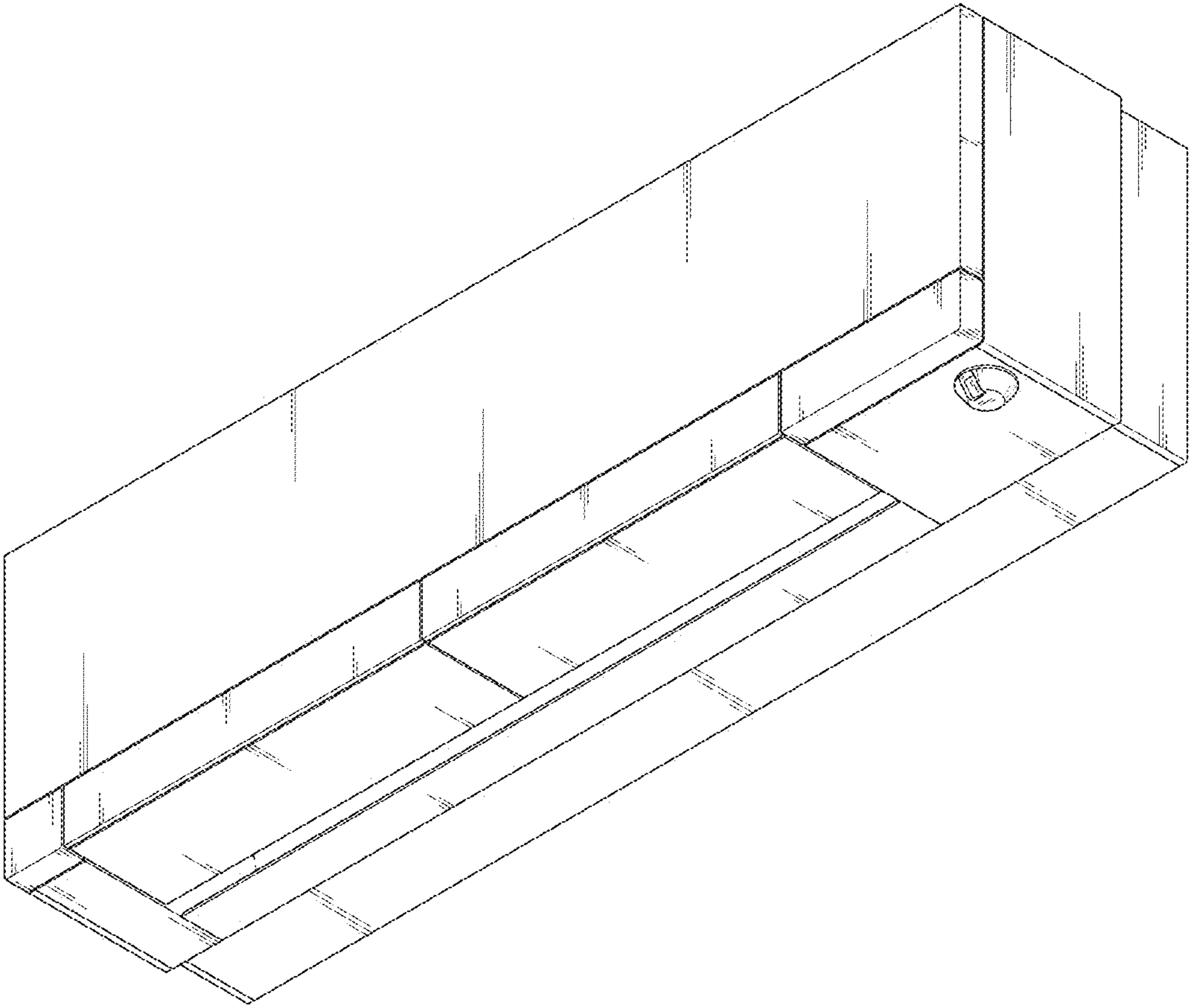


Fig.2

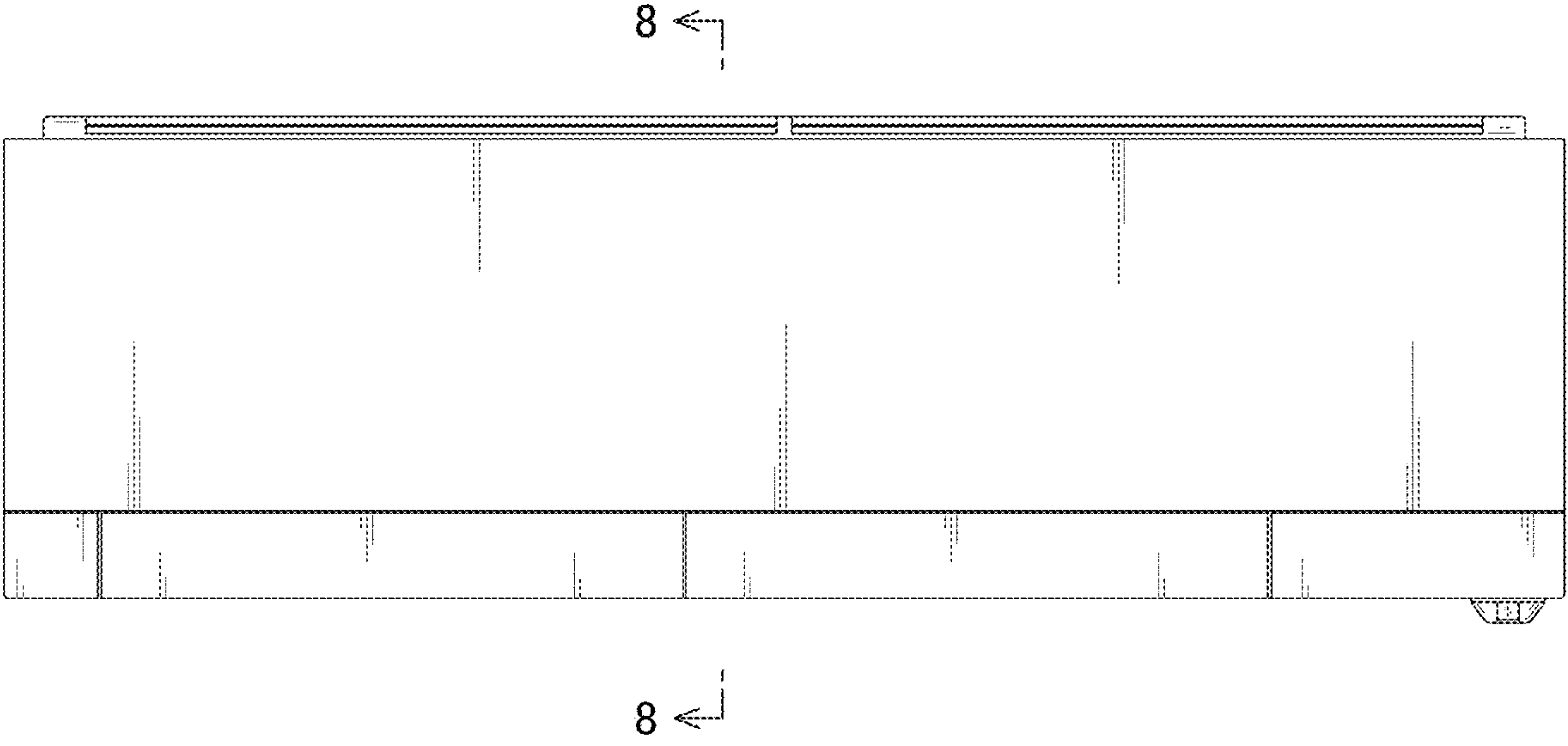


Fig.3

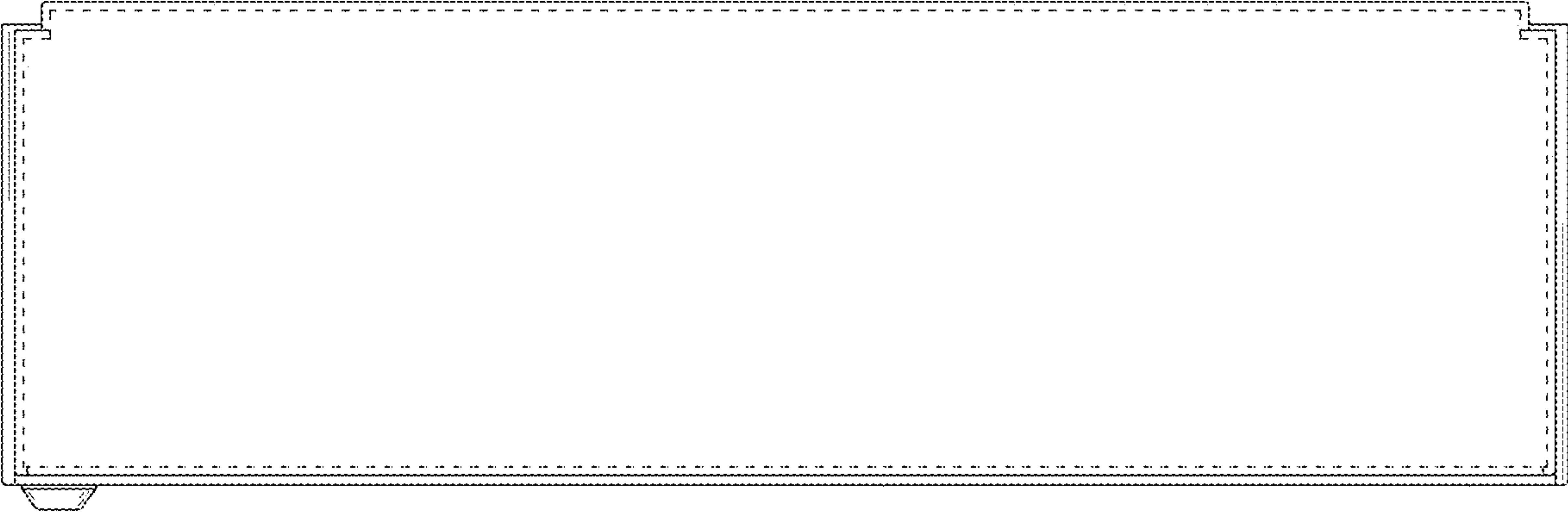


Fig.4

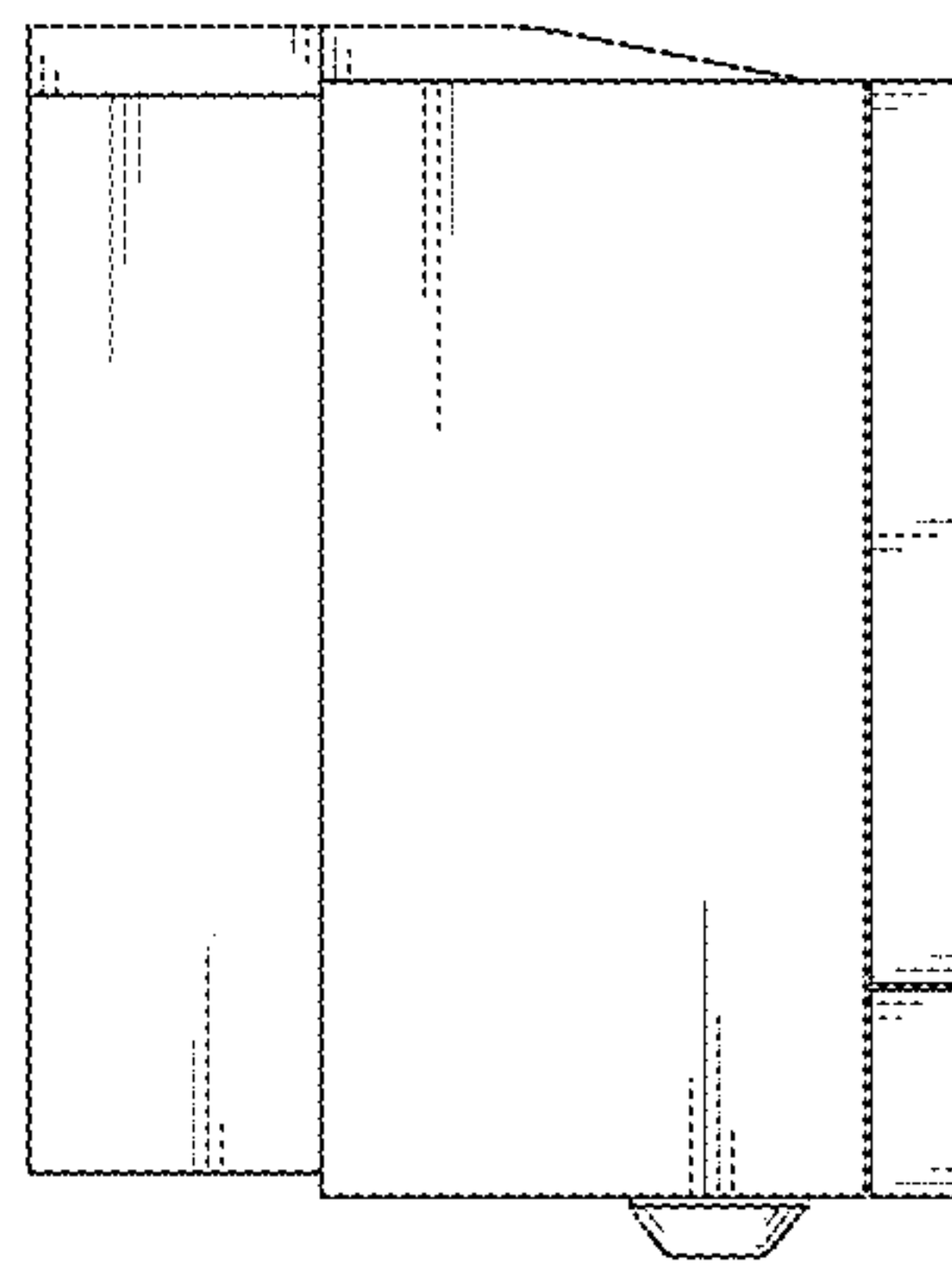


Fig.5

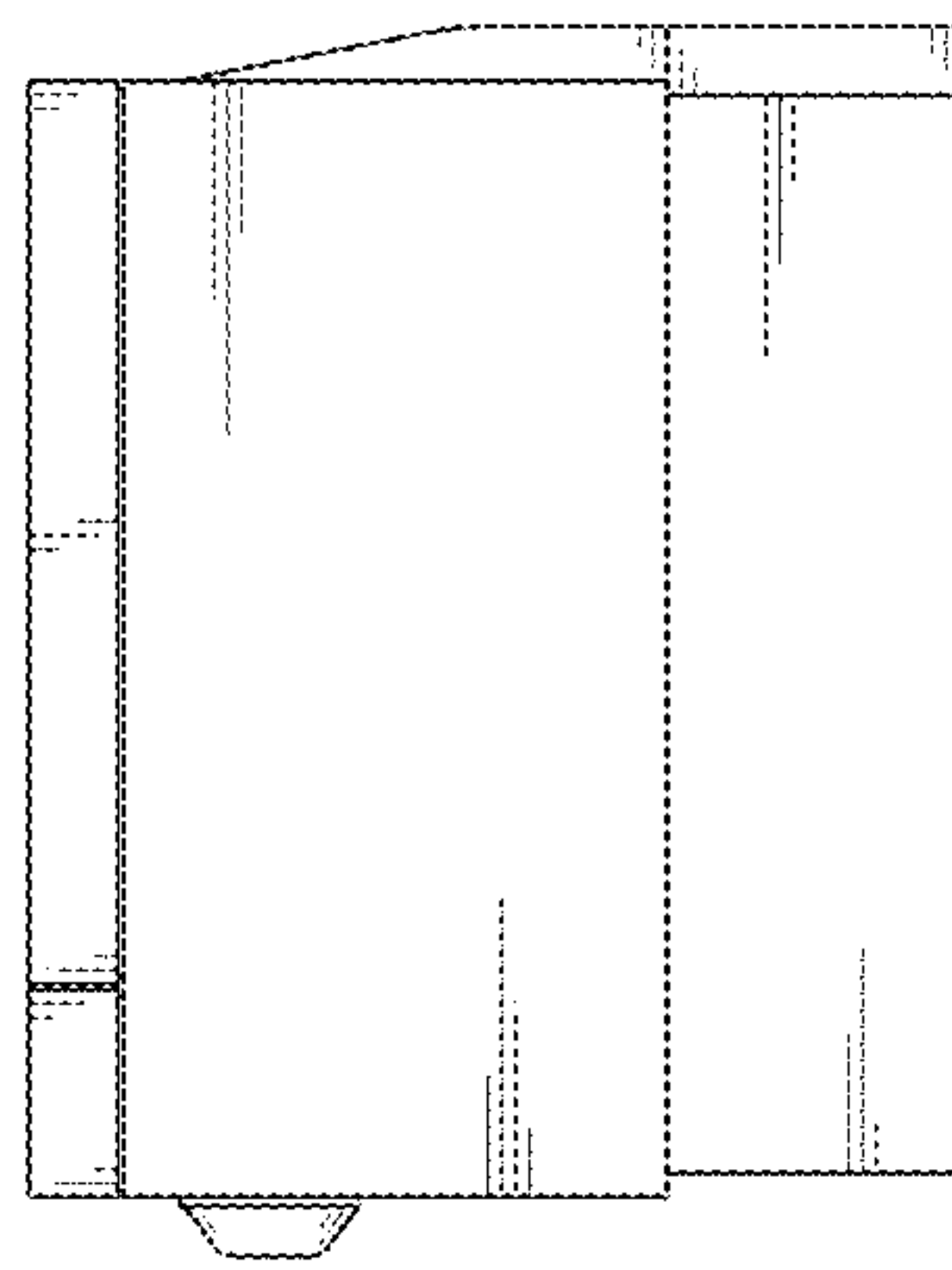


Fig.6

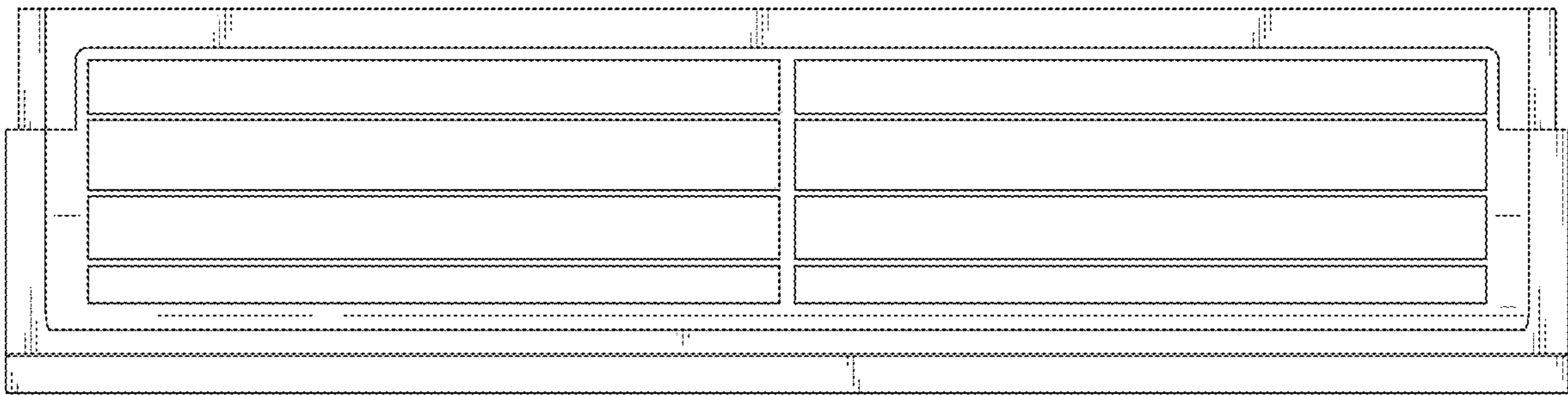




Fig.7

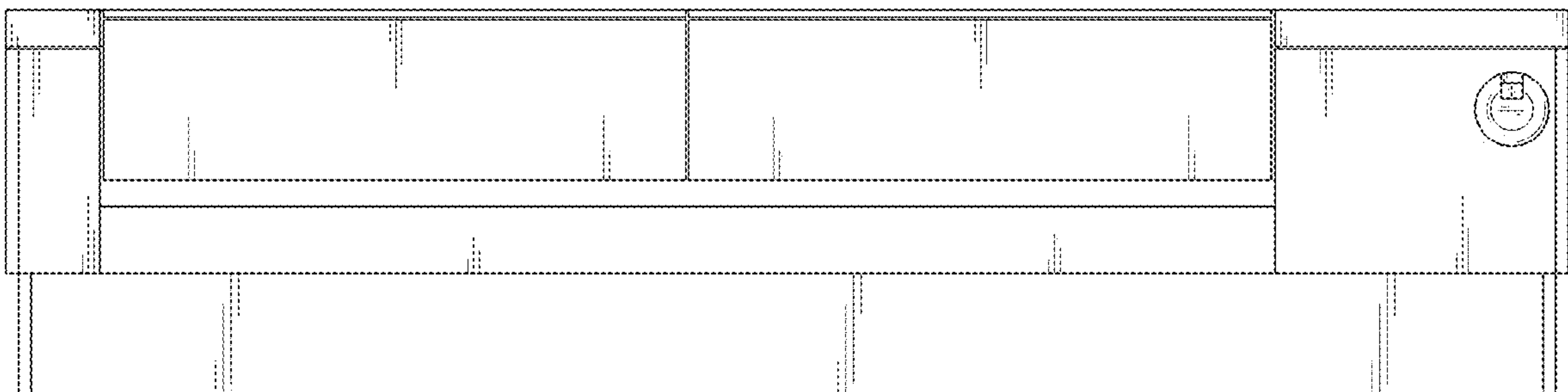


Fig.8

