



US00D957603S

(12) **United States Design Patent** (10) **Patent No.:** **US D957,603 S**
Hamasaki et al. (45) **Date of Patent:** **** Jul. 12, 2022**

(54) **AIR CONDITIONER**

(71) Applicant: **Mitsubishi Electric Corporation,**
Tokyo (JP)

(72) Inventors: **Izuru Hamasaki,** Tokyo (JP); **Satoshi Arai,** Tokyo (JP); **Takanori Ikegaya,** Tokyo (JP)

(73) Assignee: **Mitsubishi Electric Corporation,**
Tokyo (JP)

(**) Term: **15 Years**

(21) Appl. No.: **29/733,042**

(22) Filed: **Apr. 29, 2020**

(30) **Foreign Application Priority Data**

Oct. 29, 2019 (JP) 2019-024099

(51) **LOC (13) Cl.** **23-04**

(52) **U.S. Cl.**
USPC **D23/351**

(58) **Field of Classification Search**

USPC D23/333, 335, 351-367, 388; D13/111, D13/102; D15/7-9.3, 144, 144.2; D34/7
CPC . A01G 13/06; A24F 25/00; A61L 9/00; A61L 9/03; A61L 9/04; A61L 9/14; A61L 9/015; A61L 9/032; A61L 2209/14; B05B 7/1686; F24F 1/00; F24F 1/027; F24F 1/02; F24F 1/08; F24F 1/42; F24F 1/56; F24F 1/60; F24F 1/62; F24F 1/64; F24F 1/0007; F24F 3/12; F24F 3/14; F24F 3/16; F24F 3/048; F24F 13/32; F24F 2221/20; H01H 19/00; G05G 1/08

See application file for complete search history.

(56) **References Cited**

U.S. PATENT DOCUMENTS

3,177,320 A * 4/1965 Thomas H01H 19/00
337/299
4,631,378 A * 12/1986 Nobesawa H01H 13/705
200/342

5,450,653 A * 9/1995 Howie, Jr. G05G 1/015
116/309
D669,161 S * 10/2012 Yamana D23/351
D669,566 S * 10/2012 Yamana D23/351
2008/0030361 A1* 2/2008 Peissner B60K 35/00
340/691.6
2011/0271896 A1* 11/2011 Fuller D06F 34/32
116/310
2017/0307422 A1* 10/2017 Horvath G01D 11/28
2019/0018440 A1* 1/2019 Ishimaru G05G 1/105

* cited by examiner

Primary Examiner — Gino Colan

Assistant Examiner — David Obrien

(74) *Attorney, Agent, or Firm* — Studebaker & Brackett
PC

(57) **CLAIM**

The ornamental design for an air conditioner, as shown and described.

DESCRIPTION

FIG. 1. is a perspective view of the front, right, and bottom sides of an air conditioner showing our new design;
FIG. 2. is a front view thereof;
FIG. 3. is a rear view thereof;
FIG. 4. is a left side view thereof;
FIG. 5. is a right side view thereof,
FIG. 6. is a top plan view thereof;
FIG. 7. is a bottom plan view thereof; and,
FIG. 8. is an enlarged partial perspective view thereof; taken along lines 8-8 of FIG. 1.

The broken lines shown in the figures are for the purpose of illustrating portions of the air conditioner and form no part of the claimed design.

The dash-dot lines represent the boundary between the claimed design and unclaimed design and form no part of the claimed design.

1 Claim, 8 Drawing Sheets

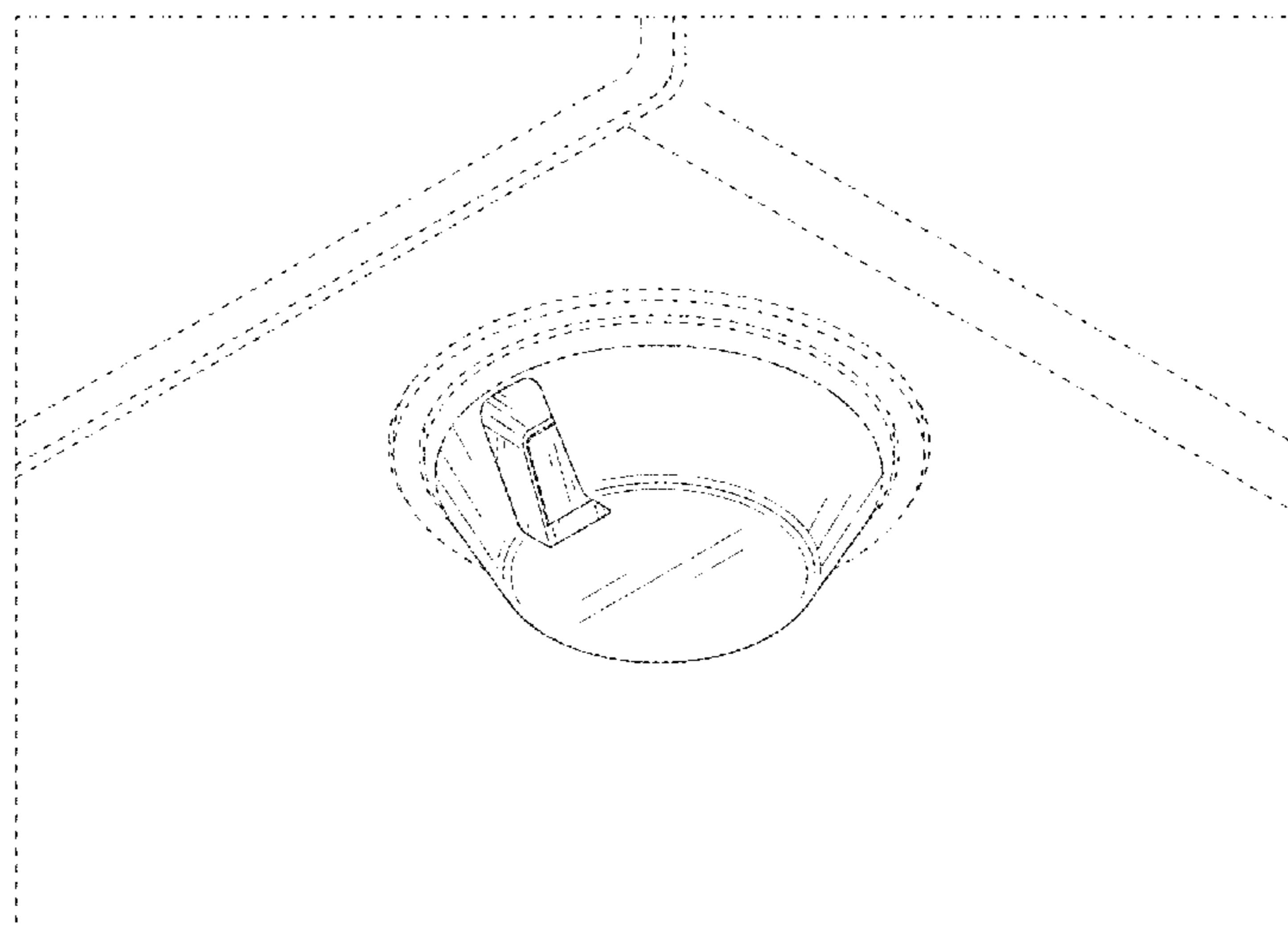


Fig.1

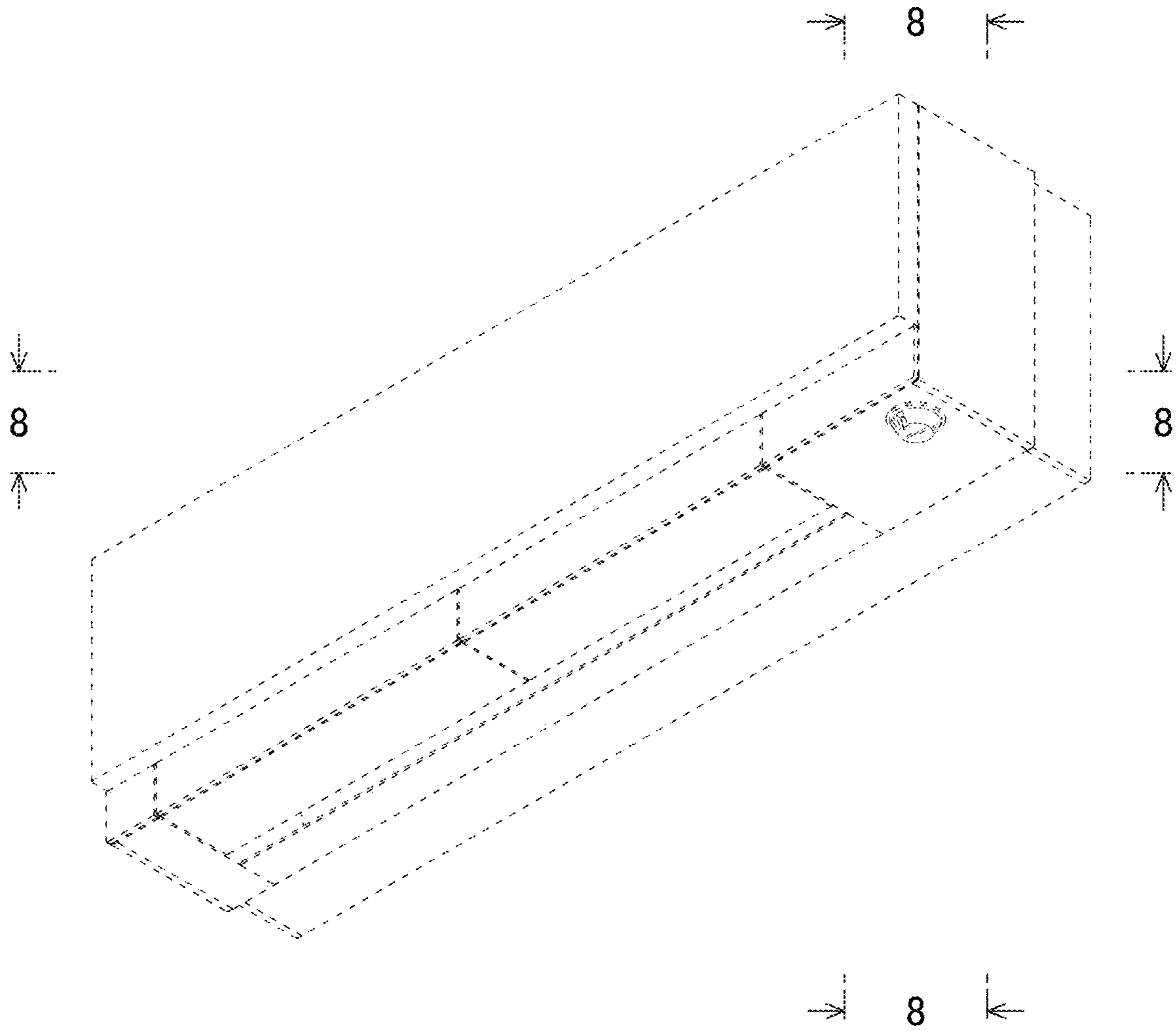


Fig.2

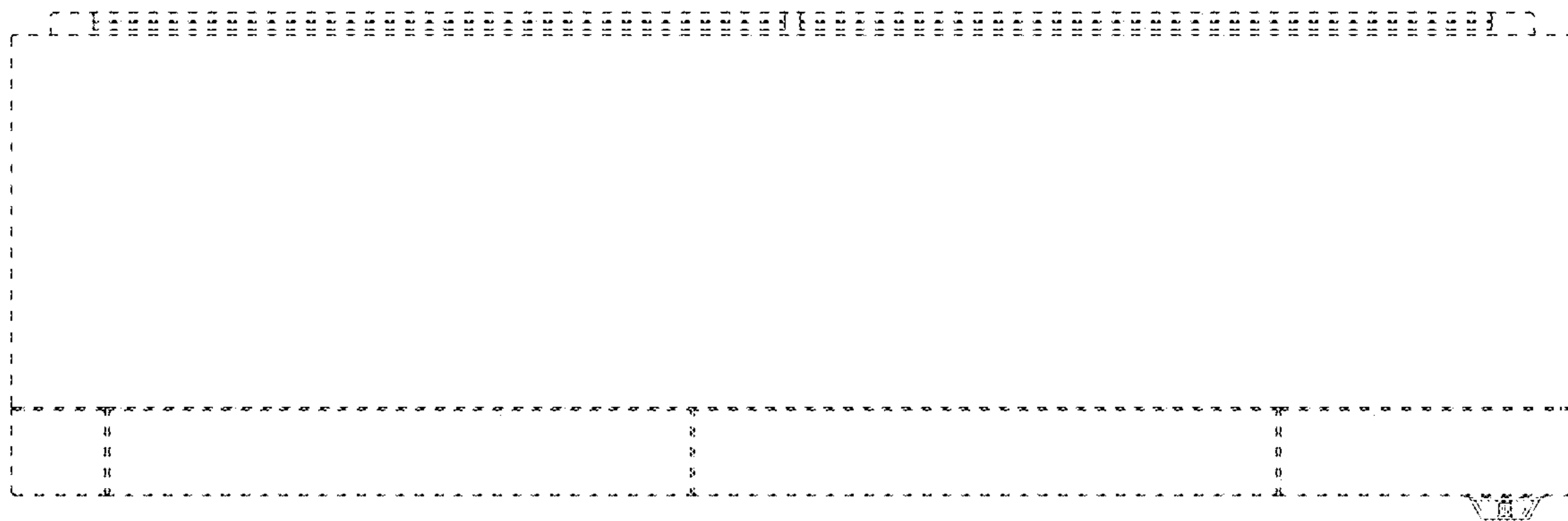


Fig.3

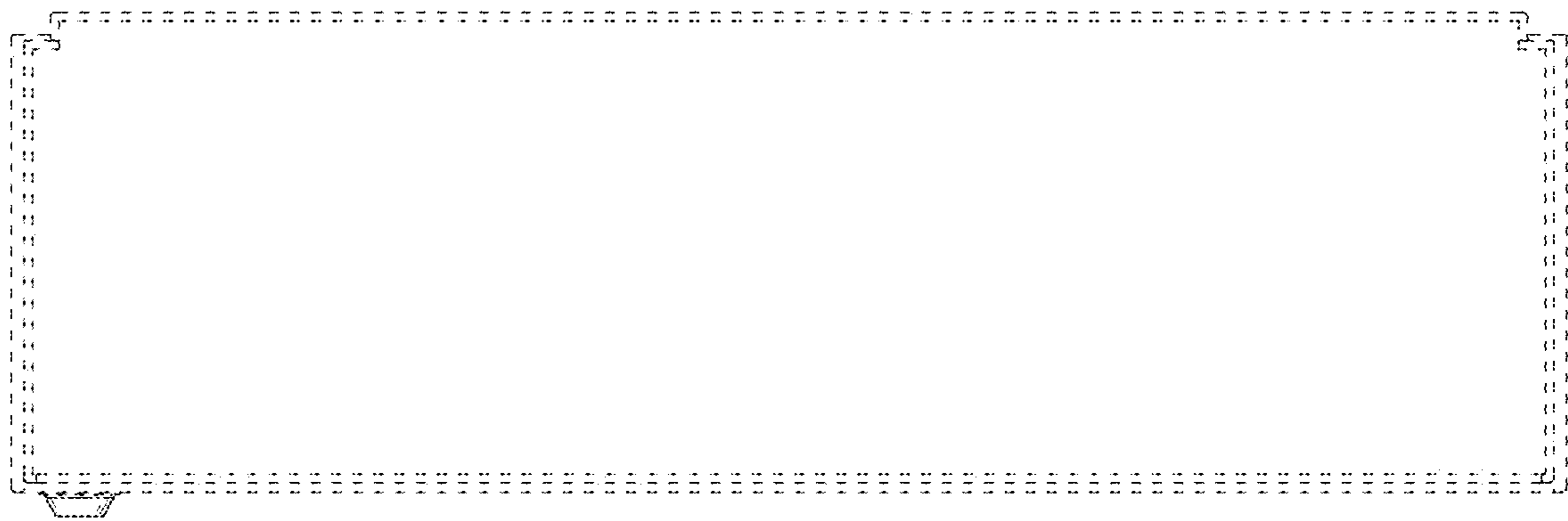


Fig.4

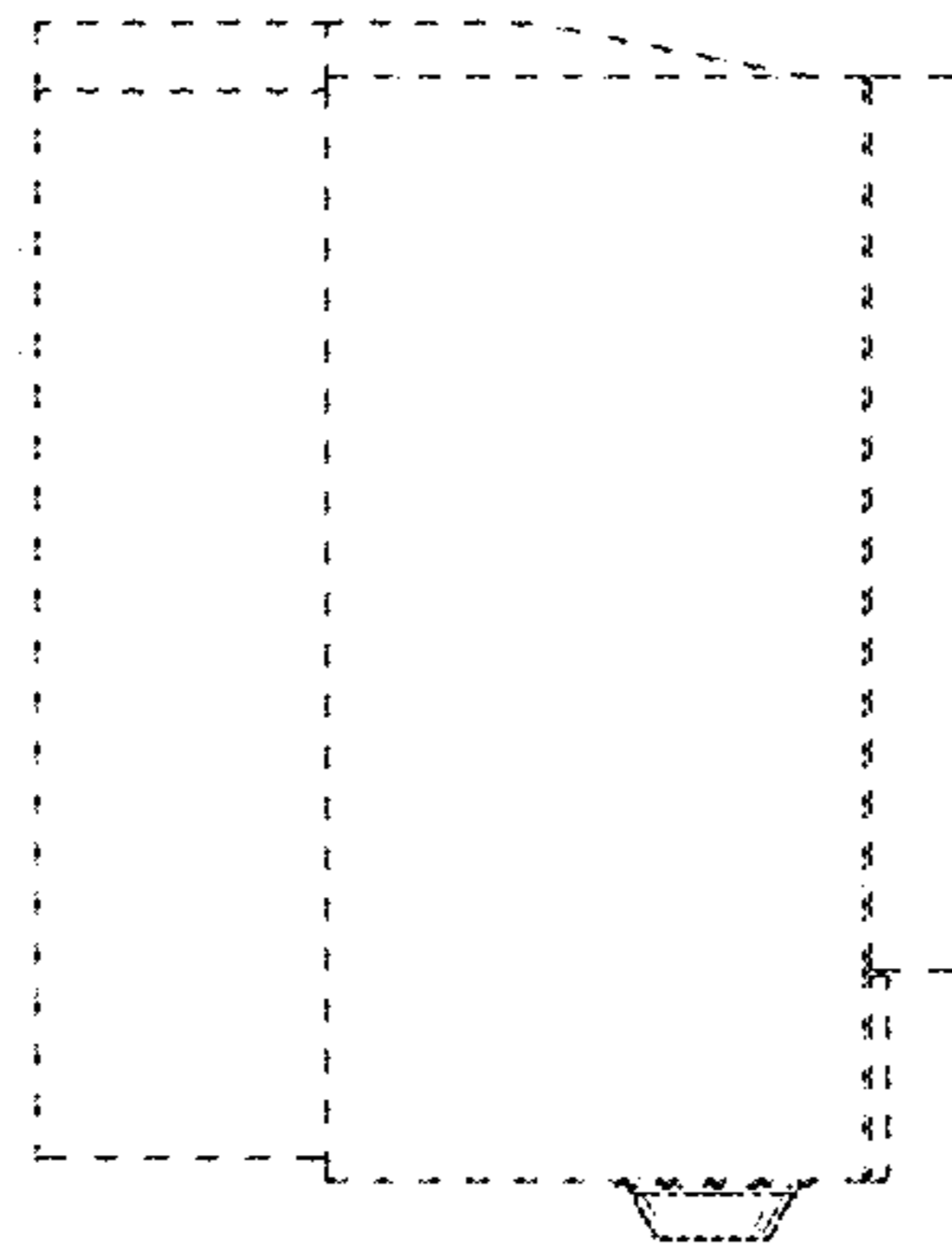


Fig.5

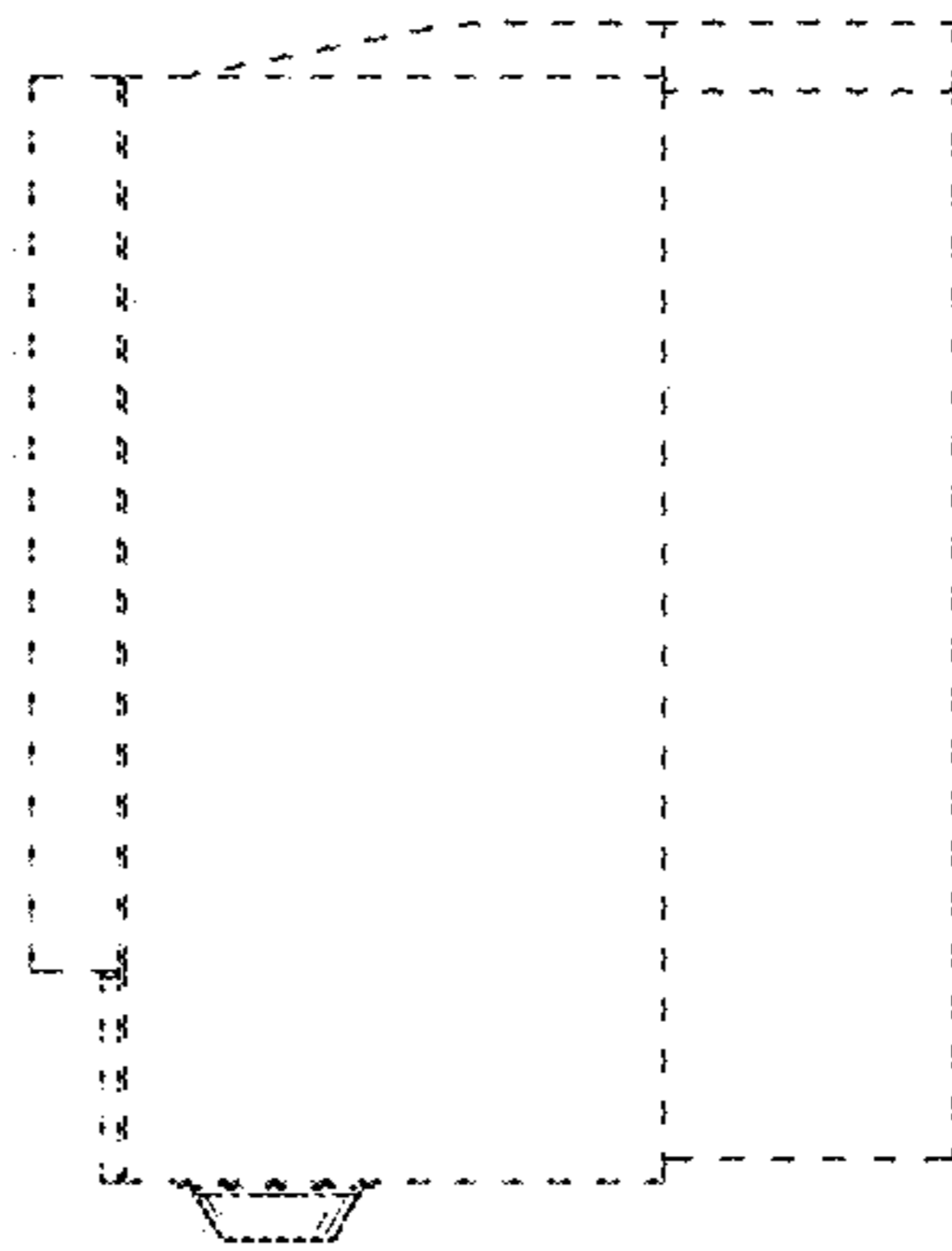


Fig.6

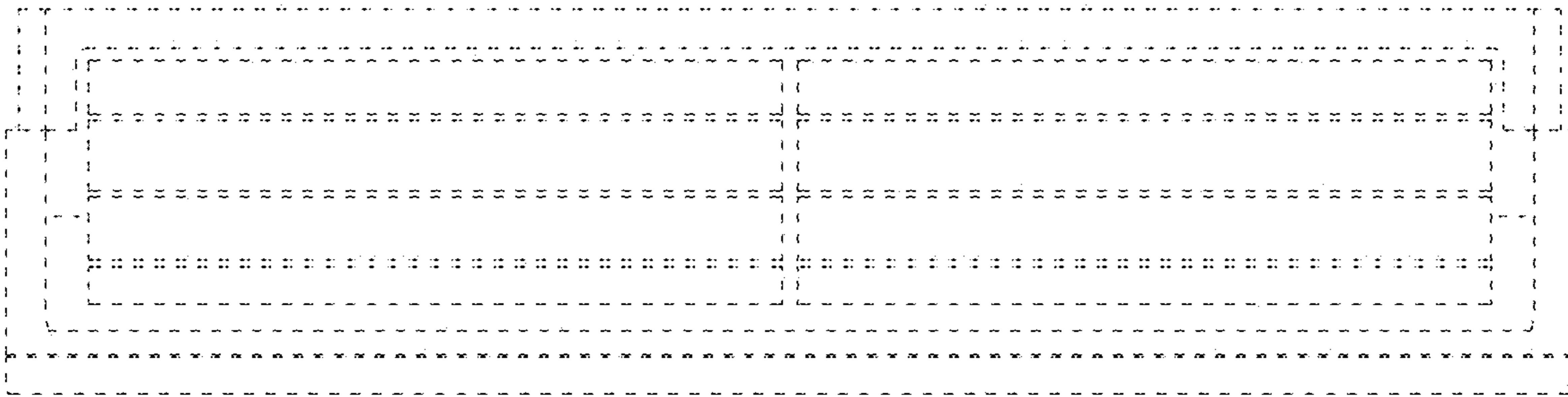


Fig.7

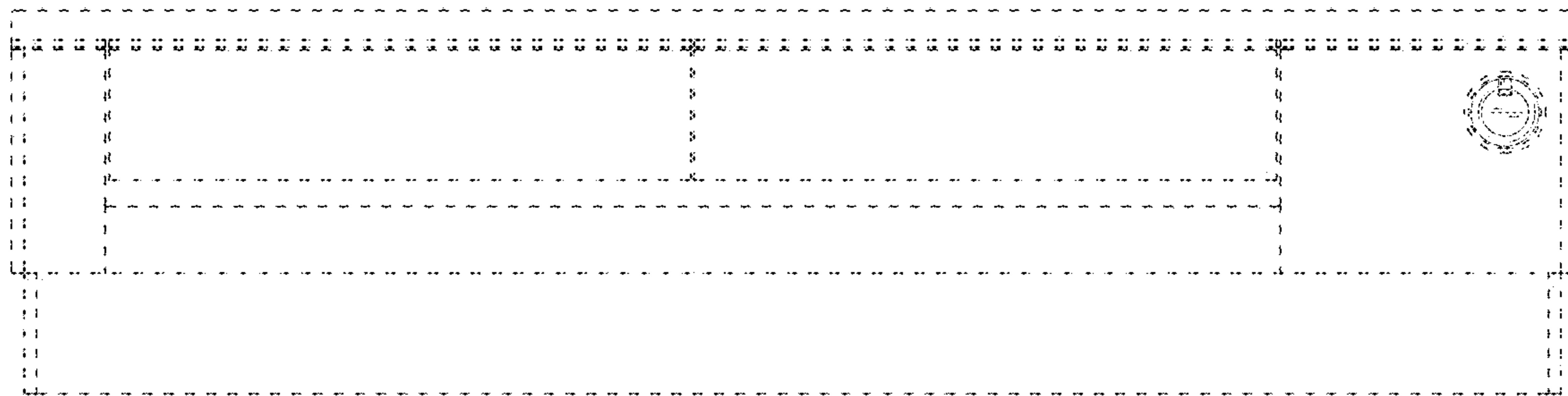


Fig.8

