



US00D957602S

(12) **United States Design Patent** (10) **Patent No.:** **US D957,602 S**  
**Hamasaki et al.** (45) **Date of Patent:** **\*\* \*Jul. 12, 2022**

(54) **AIR CONDITIONER**

(56) **References Cited**

(71) Applicant: **Mitsubishi Electric Corporation,**  
Tokyo (JP)

U.S. PATENT DOCUMENTS

(72) Inventors: **Izuru Hamasaki,** Tokyo (JP); **Satoshi Arai,** Tokyo (JP); **Takanori Ikegaya,** Tokyo (JP)

D612,469 S *	3/2010	Nagahori	.....	D23/351
D623,281 S *	9/2010	Ishida	.....	D23/351
D667,095 S *	9/2012	Yamana	.....	D23/351
D669,161 S *	10/2012	Yamana	.....	D23/351
D669,566 S *	10/2012	Yamana	.....	D23/351
D669,567 S *	10/2012	Yamana	.....	D23/351
D670,799 S *	11/2012	Yamana	.....	D23/351
D849,910 S *	5/2019	Arai	.....	D23/351
D849,911 S *	5/2019	Arai	.....	D23/351
D849,912 S *	5/2019	Arai	.....	D23/351

(73) Assignee: **Mitsubishi Electric Corporation,**  
Tokyo (JP)

(\*) Notice: This patent is subject to a terminal disclaimer.

\* cited by examiner

(\*\*) Term: **15 Years**

*Primary Examiner* — Gino Colan

*Assistant Examiner* — David Obrien

(21) Appl. No.: **29/733,038**

(74) *Attorney, Agent, or Firm* — Stuebaker & Brackett PC

(22) Filed: **Apr. 29, 2020**

(30) **Foreign Application Priority Data**

(57) **CLAIM**

Oct. 29, 2019 (JP) ..... 2019-024096

The ornamental design for an air conditioner, as shown and described.

(51) **LOC (13) Cl.** ..... **23-04**

(52) **U.S. Cl.**  
USPC ..... **D23/351**

**DESCRIPTION**

(58) **Field of Classification Search**

USPC ..... D23/333, 335, 351–367, 388; D13/111, D13/102; D15/7–9.3, 144, 144.2; D34/7  
CPC . A01G 13/06; A24F 25/00; A61L 9/00; A61L 9/03; A61L 9/04; A61L 9/14; A61L 9/015; A61L 9/032; A61L 9/035; A61L 9/122; A61L 2209/14; B05B 7/1686; F24F 1/00; F24F 1/027; F24F 1/02; F24F 1/08; F24F 1/42; F24F 1/56; F24F 1/60; F24F 1/62; F24F 1/64; F24F 1/0007; F24F 3/12; F24F 3/14; F24F 3/16; F24F 3/048; F24F 13/32; F24F 2221/20

FIG. 1. is a perspective view of the front, right, and bottom sides of an air conditioner showing our new design;  
FIG. 2. is a front view thereof;  
FIG. 3. is a rear view thereof;  
FIG. 4. is a left side view thereof;  
FIG. 5. is a right side view thereof;  
FIG. 6. is a top plan view thereof; and,  
FIG. 7. is a bottom plan view thereof.

The broken lines shown in the figures are for the purpose of illustrating portions of the air conditioner and form no part of the claimed design.

See application file for complete search history.

**1 Claim, 7 Drawing Sheets**

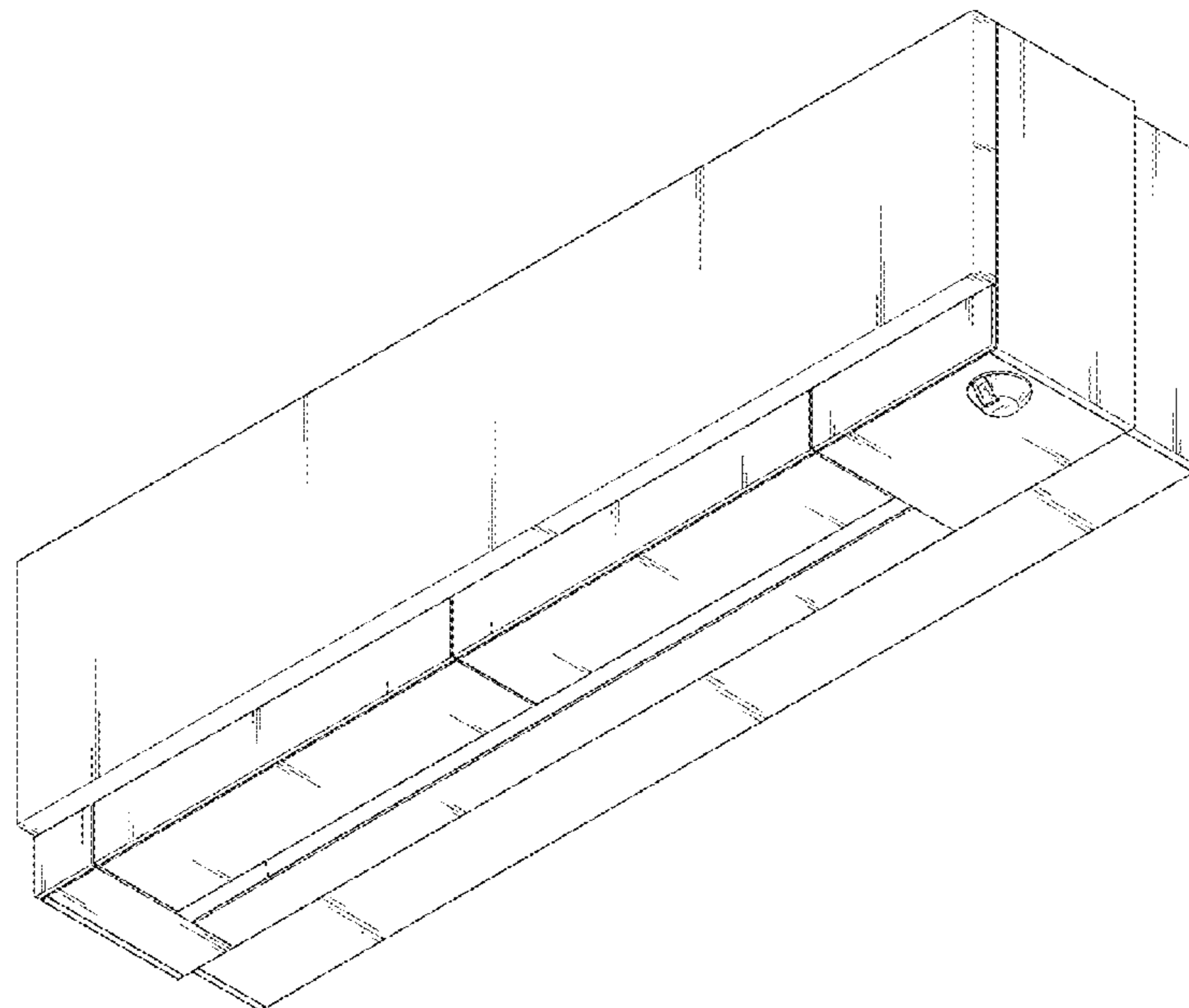


Fig. 1

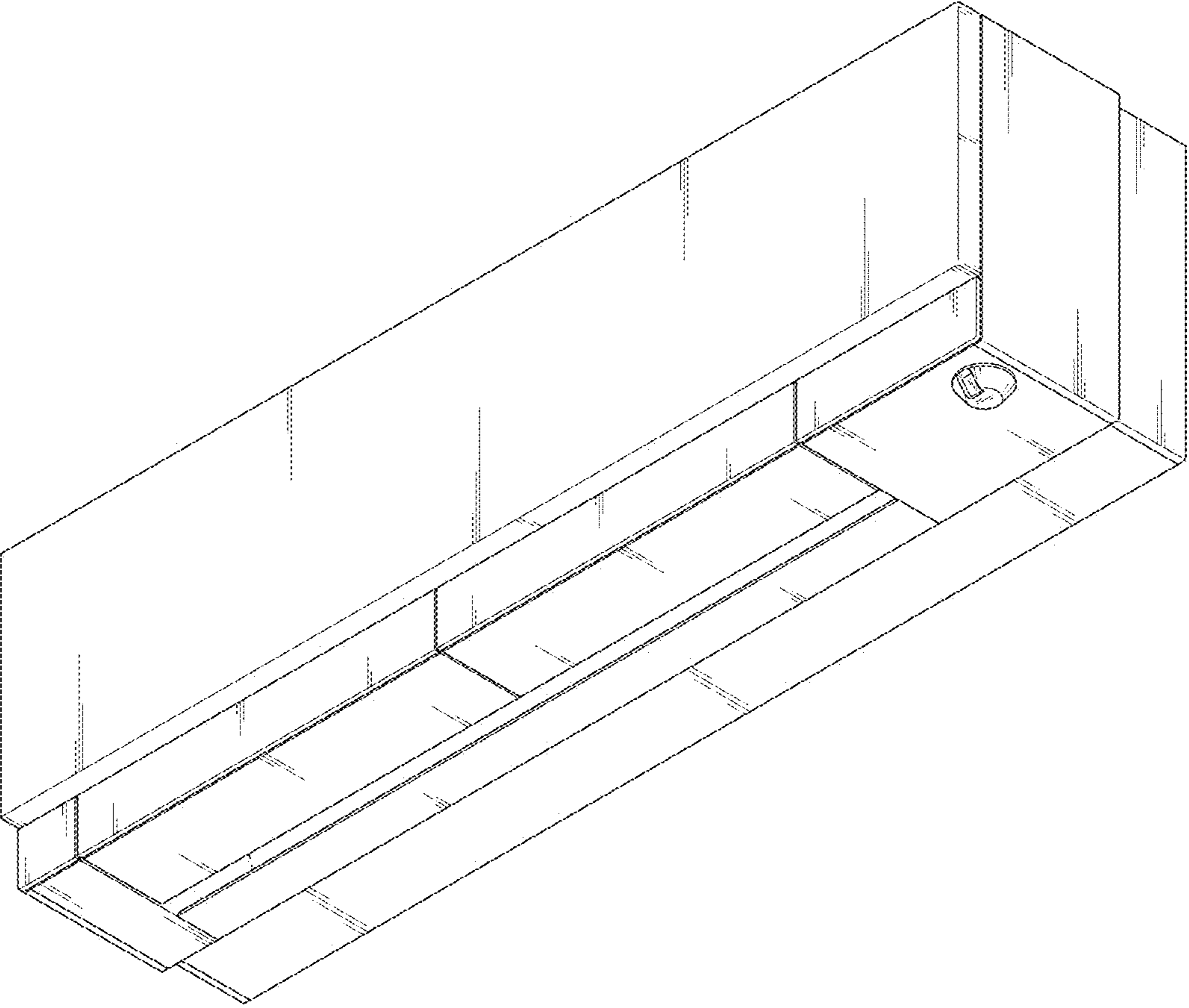


Fig.2

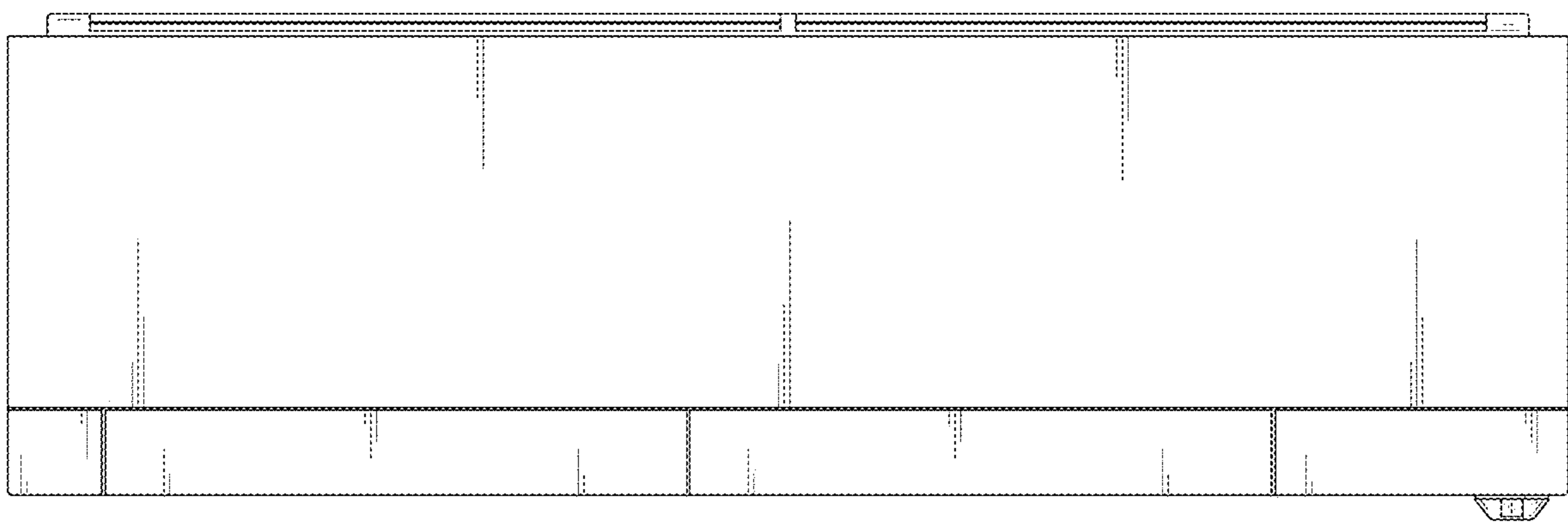


Fig.3

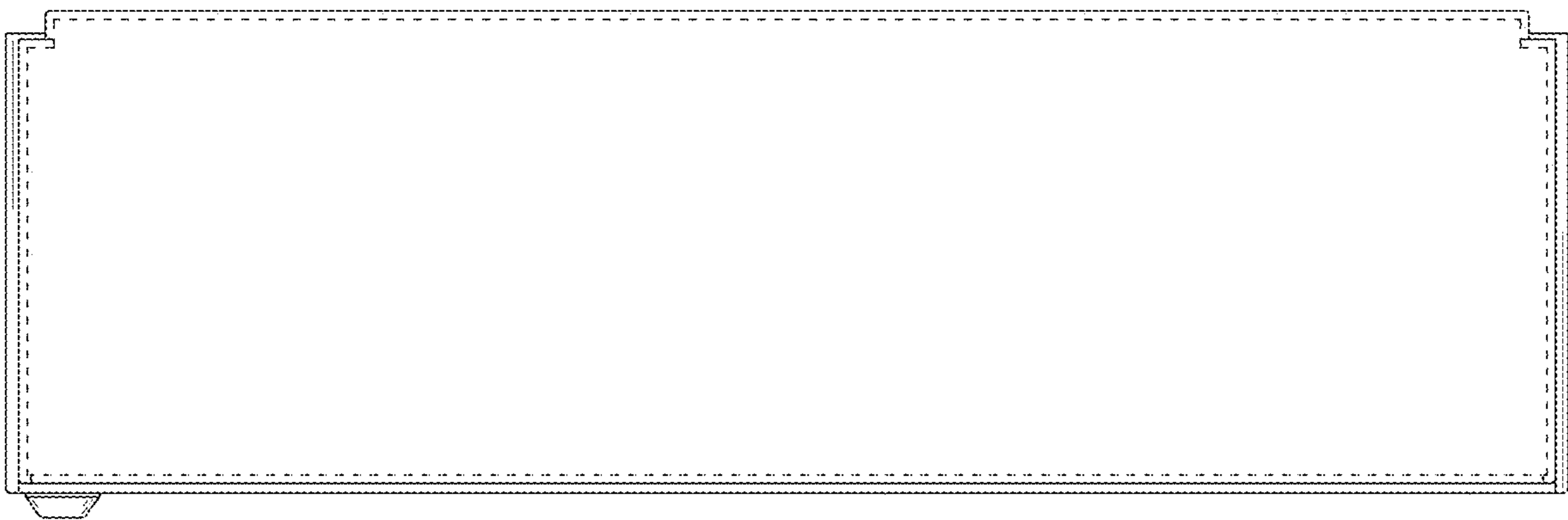


Fig.4

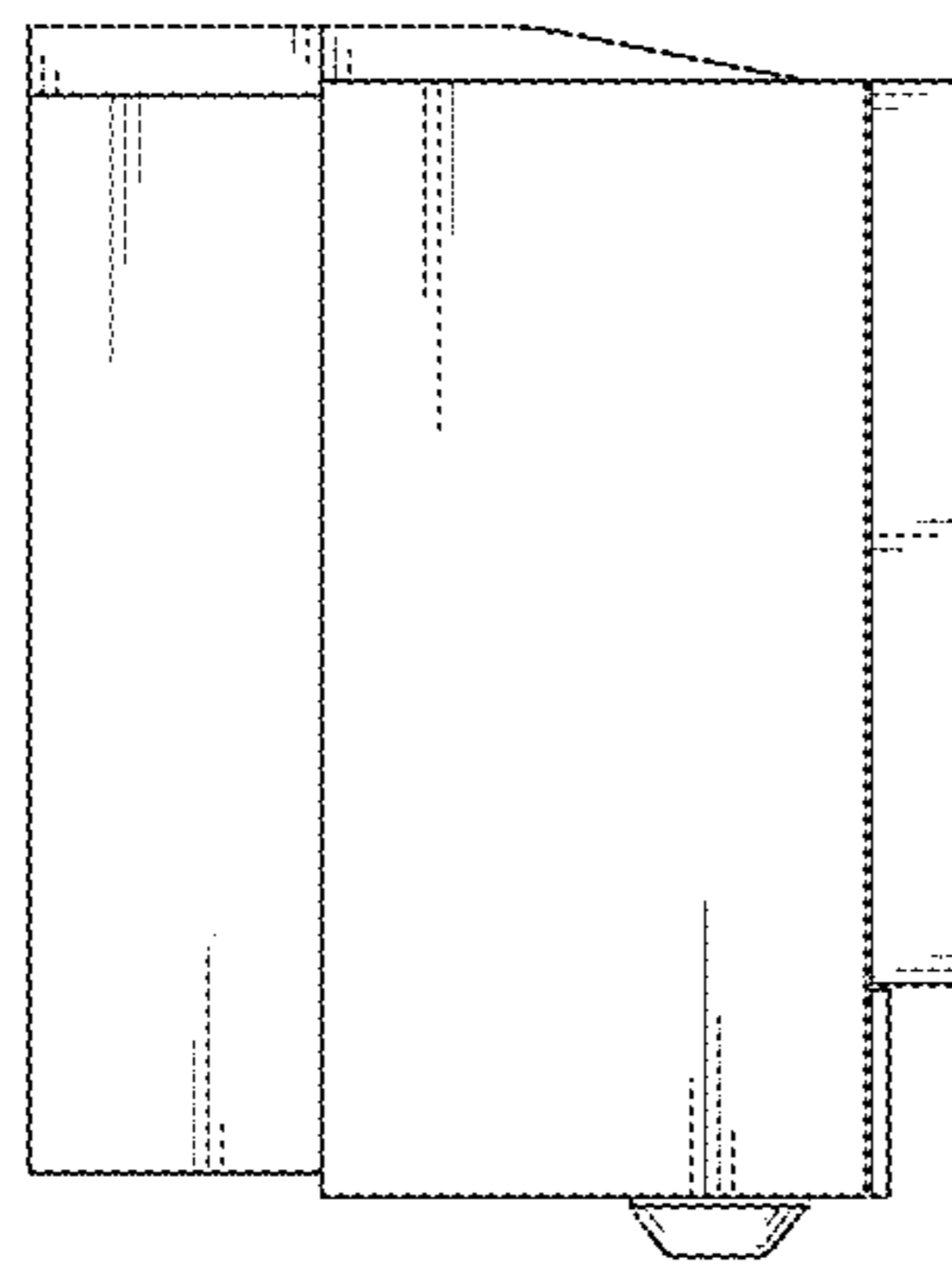


Fig.5

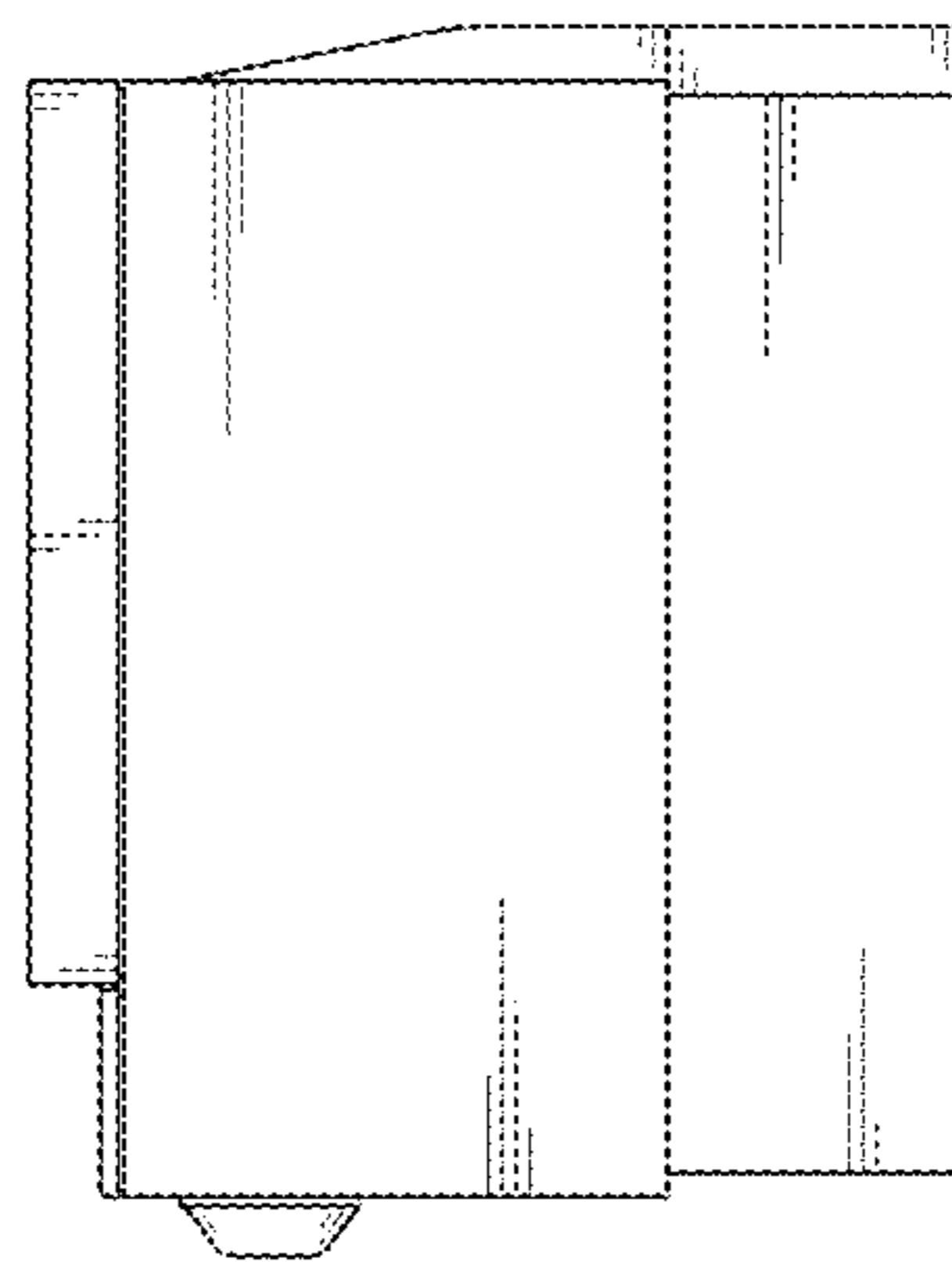


Fig.6

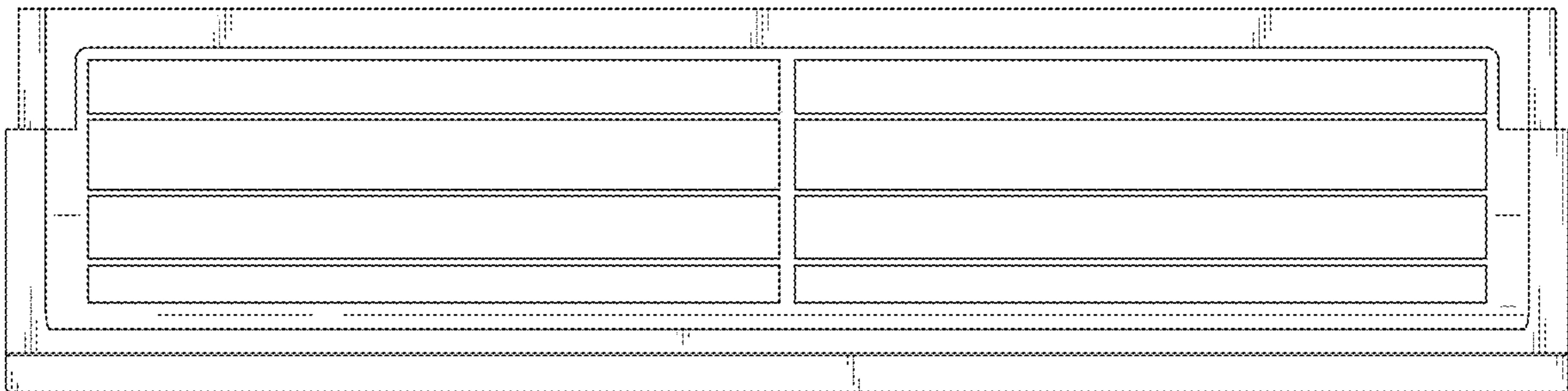


Fig.7

