



US00D957599S

(12) **United States Design Patent** (10) **Patent No.:** **US D957,599 S**  
**Erisgen et al.** (45) **Date of Patent:** **\*\* Jul. 12, 2022**

(54) **PORTABLE HEATER**

FOREIGN PATENT DOCUMENTS

(71) Applicant: **Pinnacle Climate Technologies, LLC**,  
Eden Prairie, MN (US)

CA 2 650 400 C 4/2011  
CA 2 541 122 C 1/2012

(Continued)

(72) Inventors: **Sukru Erisgen**, Eden Prairie, MN (US);  
**Jacob Frame**, Eden Prairie, MN (US)

OTHER PUBLICATIONS

(73) Assignee: **Pinnacle Climate Technologies, LLC**,  
Eden Prairie, MN (US)

Dyna-Glo User Manual and Operating Instructions, 20 pages (2015).  
(Continued)

(\*\*) Term: **15 Years**

*Primary Examiner* — Ania Aman

(74) *Attorney, Agent, or Firm* — Merchant & Gould P.C.

(21) Appl. No.: **29/749,663**

(57) **CLAIM**

The ornamental design for a portable heater, as shown and described.

(22) Filed: **Sep. 8, 2020**

(51) **LOC (13) Cl.** ..... **23-03**

**DESCRIPTION**

(52) **U.S. Cl.**

USPC ..... **D23/335**

(58) **Field of Classification Search**

USPC ..... D23/314, 317, 318, 324, 325, 327, 329,  
D23/332, 333, 334, 335, 336, 337, 338,  
D23/339, 340, 341, 342, 351, 355, 356,  
D23/359, 360, 364, 366

CPC ..... F24F 6/00; F24F 2006/008; F24F 6/02;  
F24F 6/12; F24F 5/0035; F24H 9/2071;  
F24H 9/0052; F24H 9/02; F24H 3/006;  
F24H 3/002; F24H 3/00; F24H 3/02;  
F24H 3/022; F24H 3/0411; F24H 3/0417;  
F24H 3/0488; F24H 9/0073; F24H  
9/1881; F24D 19/06; F23D 14/36

See application file for complete search history.

FIG. 1 is an isometric view of a portable heater in a first operating position showing our new design; FIG. 2 is a first side view of the portable heater of FIG. 1 in the first operating position, with the second side view of the portable heater in the first operating position being a mirror image of the first side view; FIG. 3 is a front view of the portable heater of FIG. 1 in the first operating position; FIG. 4 is a rear view of the portable heater of FIG. 1 in the first operating position; FIG. 5 is a top view of the portable heater of FIG. 1 in the first operating position; FIG. 6 is a bottom view of the portable heater of FIG. 1 in the first operating position; FIG. 7 is an isometric view of the portable heater of FIG. 1 in a second operating position; and, FIG. 8 is a first side view of the portable heater of FIG. 1 in the second operating position, with the second side view of the portable heater in the second operating position being a mirror image of the first side view.

The broken lines in the Figures depict portions of the portable heater that form no part of the claimed design.

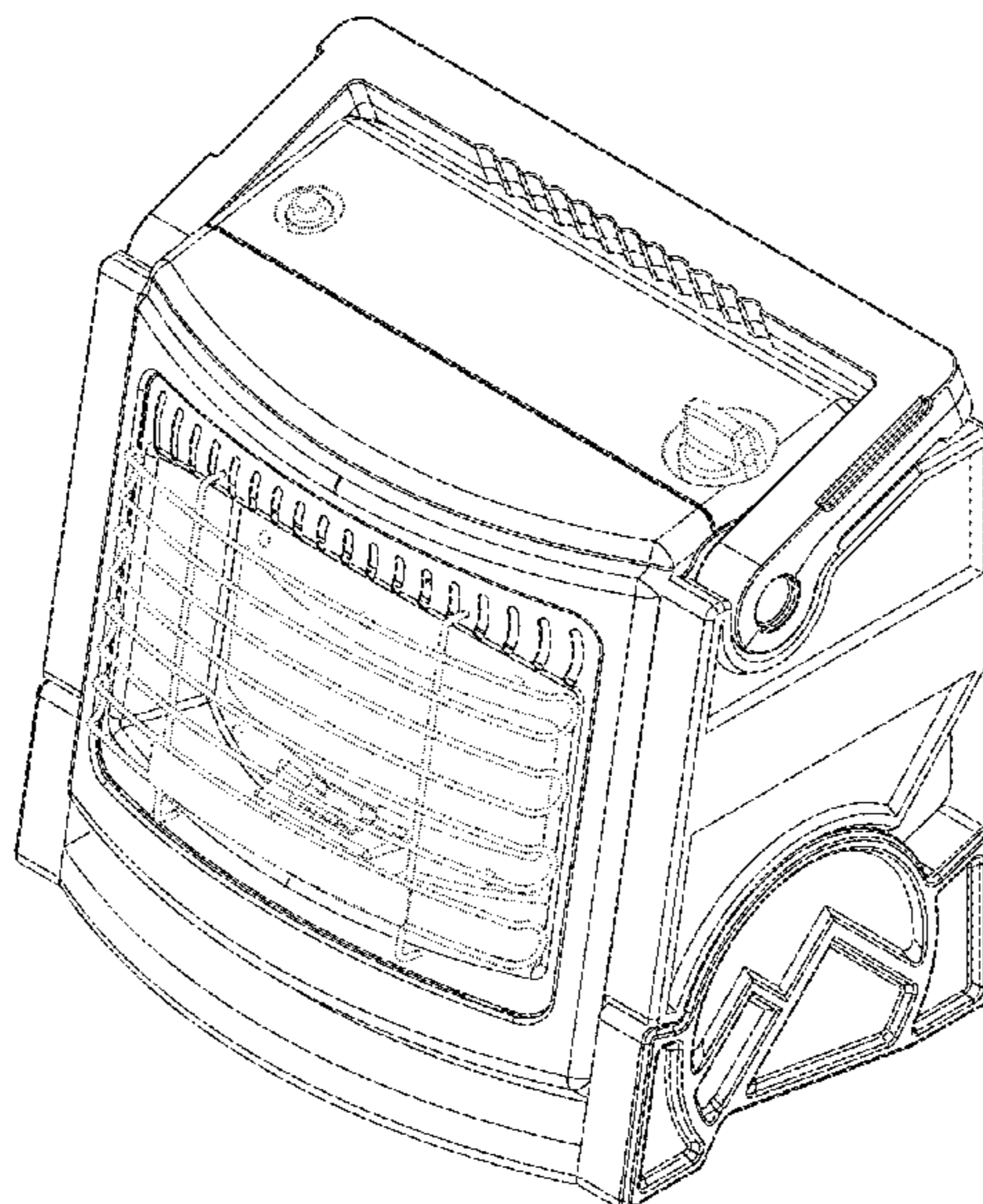
(56) **References Cited**

U.S. PATENT DOCUMENTS

D145,913 S \* 11/1946 Swartzbaugh ..... D23/335  
6,340,298 B1 1/2002 Vandrak et al.  
6,446,623 B1 9/2002 Resmo et al.

(Continued)

**1 Claim, 7 Drawing Sheets**



(56)

References Cited

U.S. PATENT DOCUMENTS

6,648,635 B2 11/2003 Vandrak et al.  
 6,742,814 B2 6/2004 Resmo et al.  
 6,843,244 B2 1/2005 McCalley et al.  
 6,884,065 B2 4/2005 Vandrak et al.  
 7,300,278 B2 11/2007 Vandrak et al.  
 8,053,709 B2 11/2011 Vandrak et al.  
 8,068,724 B2 11/2011 Vandrak et al.  
 D660,946 S \* 5/2012 Sengoku ..... D23/332  
 8,347,875 B2 1/2013 Jamieson  
 8,434,469 B2 5/2013 Vandrak  
 8,487,221 B2 7/2013 Vandrak et al.  
 8,490,639 B2 7/2013 Vandrak  
 8,494,350 B2 7/2013 O'Toole et al.  
 8,863,736 B2 10/2014 Vandrak  
 8,893,706 B2 11/2014 Vandrak et al.  
 8,893,707 B2 11/2014 Jamieson  
 9,267,708 B2 2/2016 Jamieson  
 9,927,144 B2 3/2018 Vandrak et al.  
 10,036,571 B1 7/2018 Gove et al.  
 D864,365 S 10/2019 Downing et al.  
 10,495,344 B2 12/2019 Vandrak et al.  
 10,544,871 B2 1/2020 Vandrak et al.  
 D907,753 S \* 1/2021 Tschopp ..... D23/335  
 2008/0152329 A1 6/2008 Saunders et al.  
 2010/0139651 A1 \* 6/2010 Vandrak ..... F24C 3/122  
 126/92 B  
 2010/0147291 A1 \* 6/2010 Vandrak ..... F24H 9/2085  
 126/92 R  
 2011/0045417 A1 2/2011 Vandrak  
 2012/0094244 A1 4/2012 Vandrak  
 2017/0254544 A1 \* 9/2017 Beerens ..... F24C 3/14  
 2017/0363326 A1 12/2017 Vandrak et al.  
 2017/0363327 A1 12/2017 Vandrak et al.

2019/0041093 A1 2/2019 Vandrak et al.  
 2019/0170349 A1 \* 6/2019 Martin ..... F24C 3/042  
 2020/0072500 A1 3/2020 Vandrak et al.  
 2020/0149645 A1 5/2020 Vandrak et al.  
 2021/0116129 A1 4/2021 Erisgen

FOREIGN PATENT DOCUMENTS

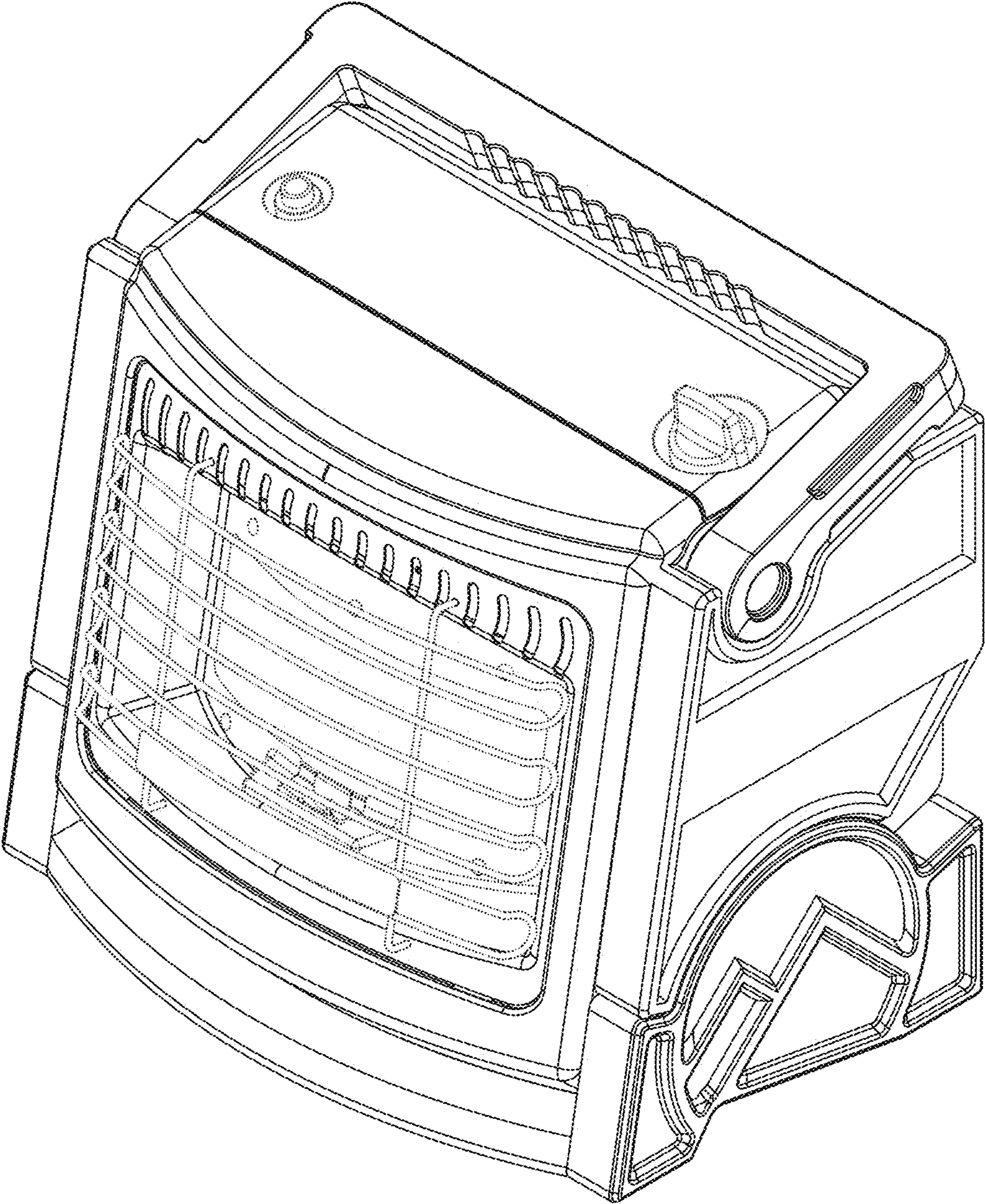
CA 2 759 762 C 6/2013  
 CA 2 759 775 C 9/2013  
 CA 2 759 864 C 10/2013  
 CA 2 759 969 C 12/2013  
 CA 2 713 971 C 12/2014  
 CA 2 759 926 C 12/2014  
 CA 3 040 273 A1 4/2018  
 CA 2 988 129 A1 12/2018  
 CN 100549551 C 10/2009  
 CN 101517319 B 12/2013  
 CN 106337956 A 1/2017  
 CN 209147210 U 7/2019  
 KR 20-1995-0010234 Y1 11/1995  
 KR 10-2013-0039243 A 4/2013  
 KR 10-1436280 B1 8/2014  
 WO 2013/188909 A1 12/2013

OTHER PUBLICATIONS

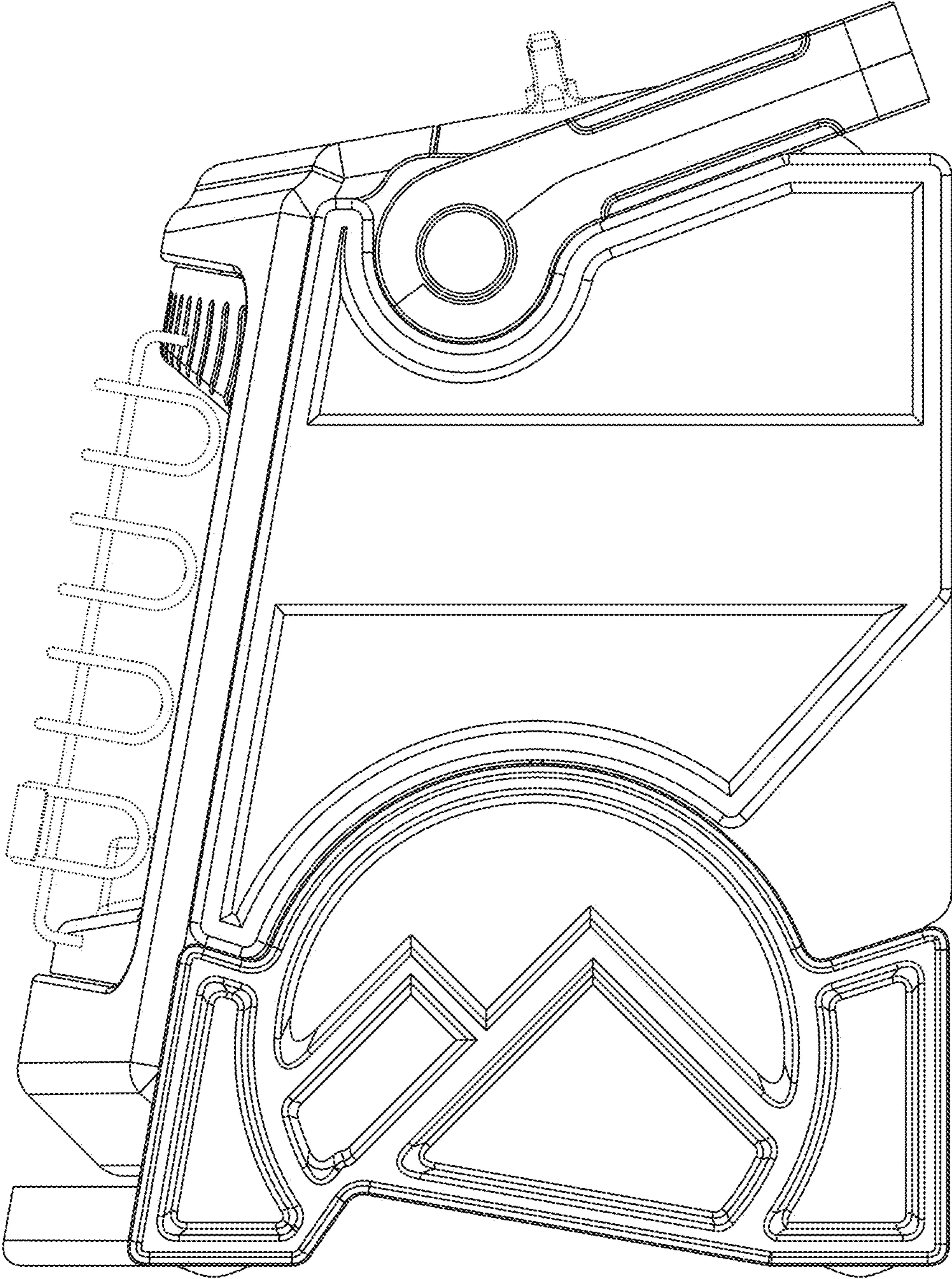
Mr. Heater 2018 Master Catalog, [https://assets.unilogcorp.com/187/ITEM/DOC/100001967\\_Catalog.pdf](https://assets.unilogcorp.com/187/ITEM/DOC/100001967_Catalog.pdf), 68 pages, Enerco Group Inc. (2018).  
 U.S. Appl. No. 62/916,565, filed Oct. 17, 2019.  
 U.S. Appl. No. 63/057,629, filed Jul. 28, 2020.  
 International Search Report and Written Opinion for Application No. PCT/US2021/043296 dated Nov. 8, 2021.

\* cited by examiner

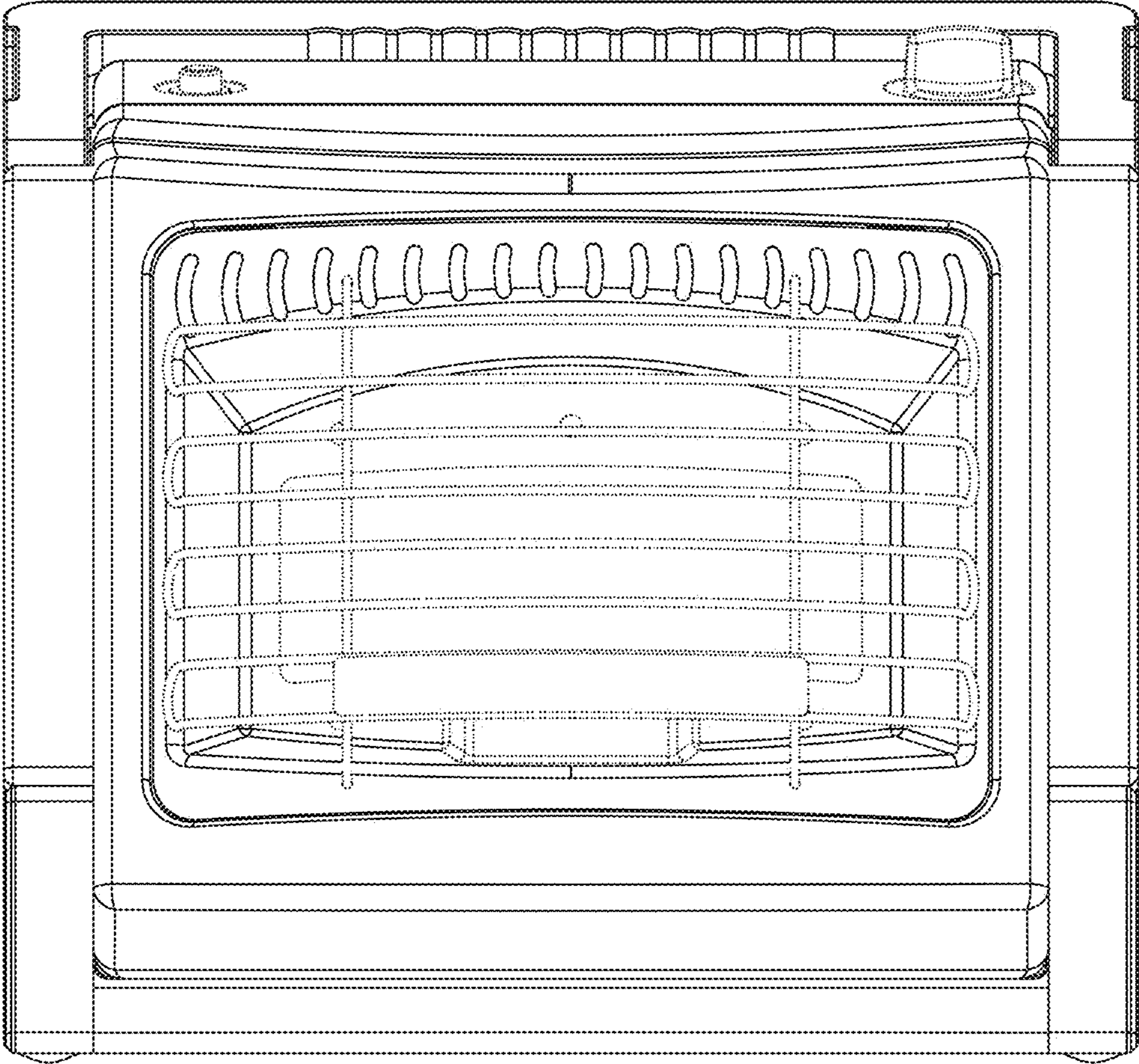
**FIG. 1**



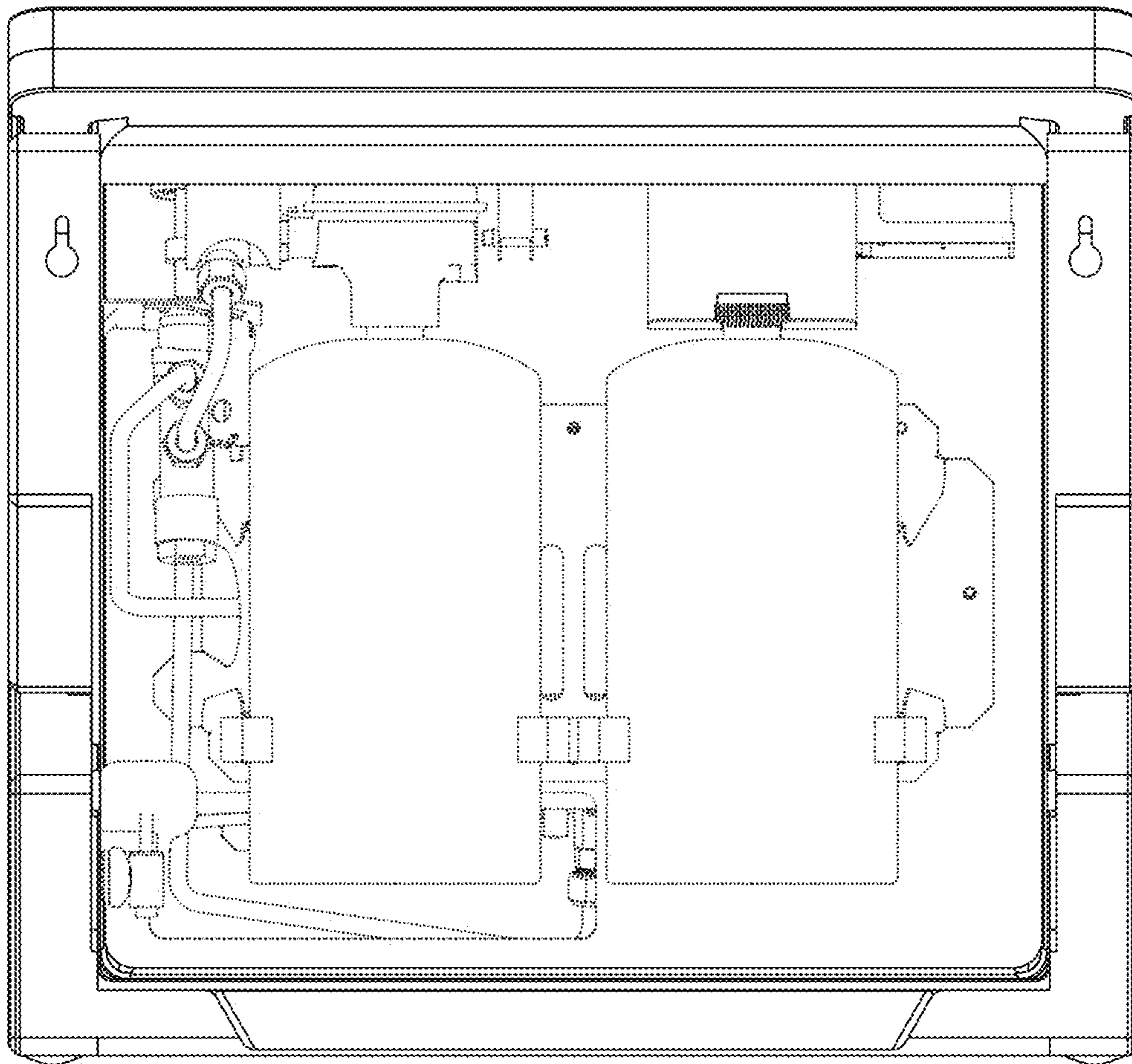
**FIG. 2**



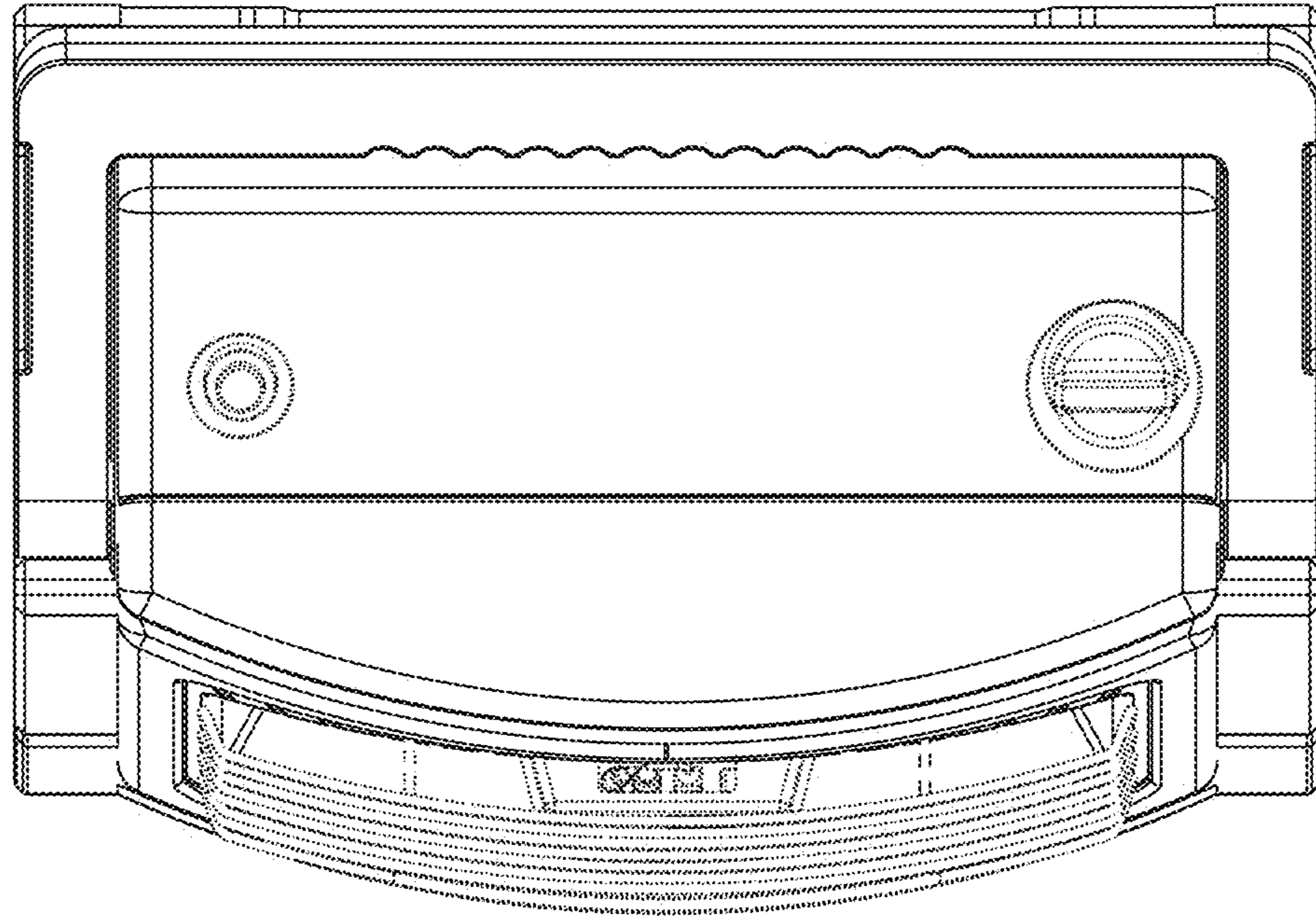
**FIG. 3**



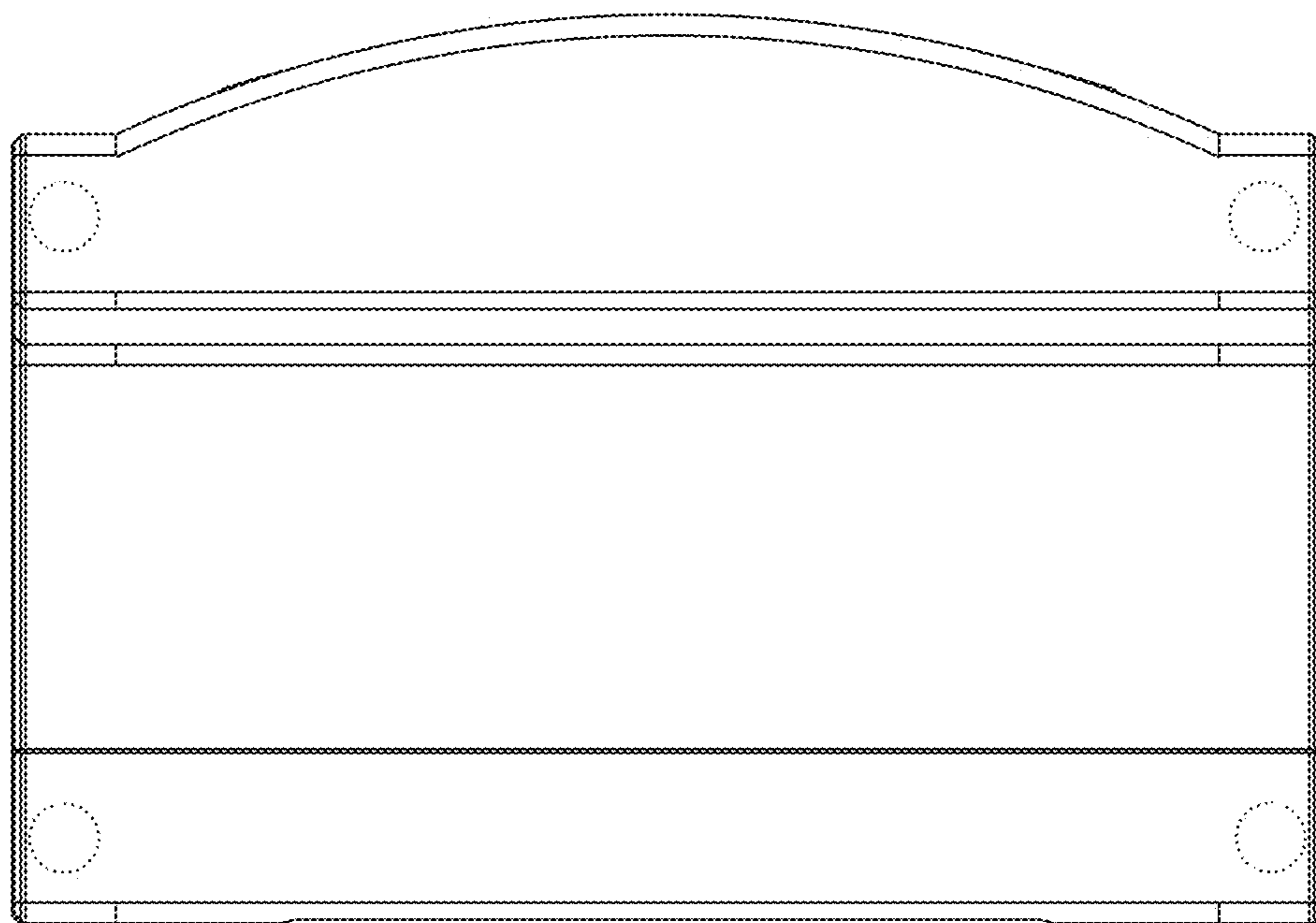
**FIG. 4**



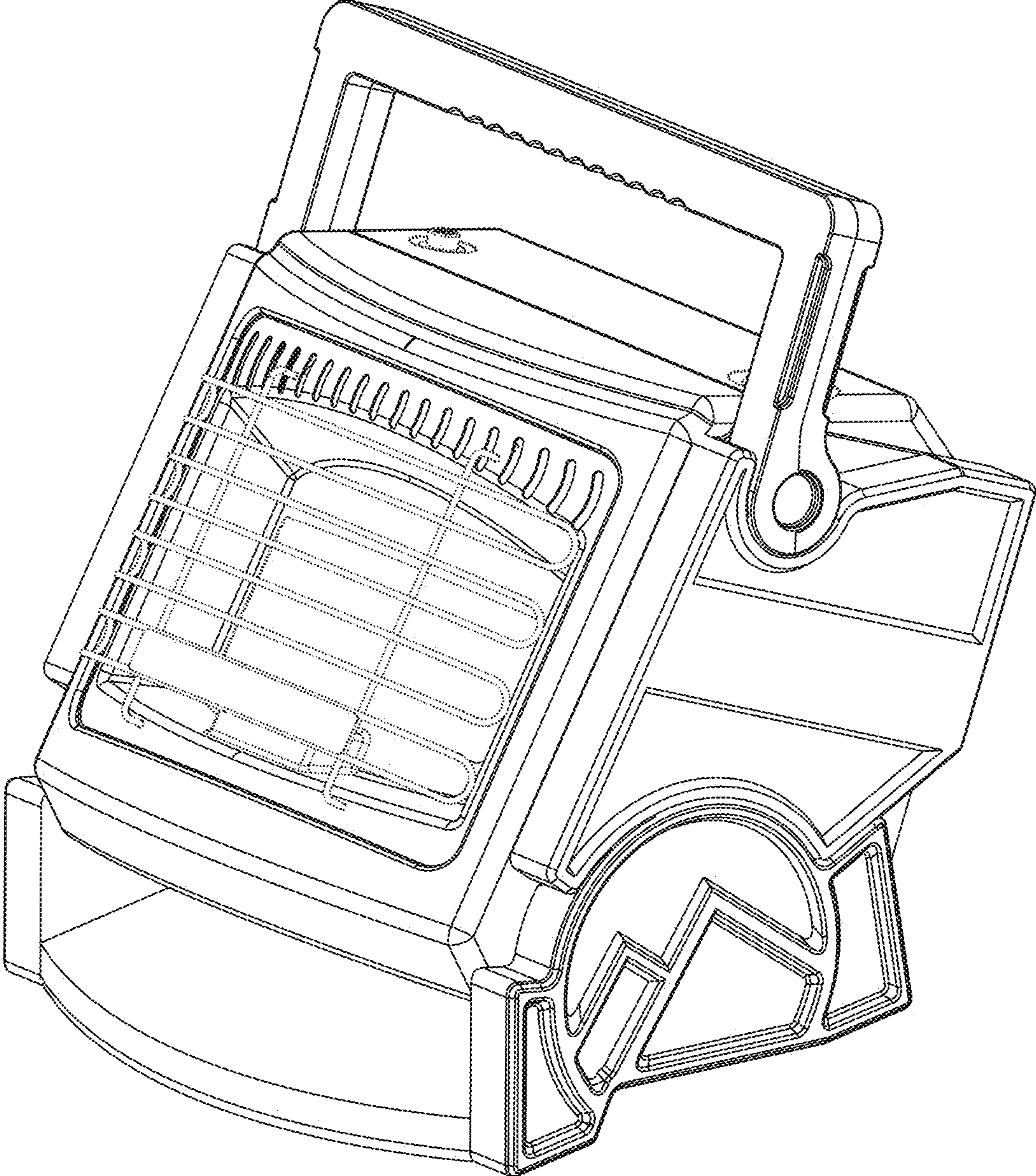
**FIG. 5**



**FIG. 6**



**FIG. 7**





**FIG. 8**

