



US00D957596S

(12) **United States Design Patent** (10) **Patent No.:** **US D957,596 S**  
**Matsumoto** (45) **Date of Patent:** **\*\* Jul. 12, 2022**

(54) **NECK COOLING DEVICE**

FOREIGN PATENT DOCUMENTS

(71) Applicant: **FUJITSU GENERAL LIMITED,**  
Kanagawa (JP)

IN 332405-001-0001 \* 8/2020

(72) Inventor: **Shogo Matsumoto,** Kanagawa (JP)

OTHER PUBLICATIONS

(73) Assignee: **FUJITSU GENERAL LIMITED,**  
Kawasaki (JP)

Cómodo gear, first available May 28, 2020[online], [site visited Sep. 20, 2021]. Available from internet, URL:<<https://www.coolingpost.com/news-headlines/fujitsu-develops-personal-cooler/>> (Year: 2020).\*

(\*\*) Term: **15 Years**

\* cited by examiner

(21) Appl. No.: **29/748,091**

*Primary Examiner* — Barbara Fox

*Assistant Examiner* — Jamaal Rasheed

(22) Filed: **Aug. 27, 2020**

(74) *Attorney, Agent, or Firm* — Sughrue Mion, PLLC

(30) **Foreign Application Priority Data**

(57) **CLAIM**

The ornamental design for a neck cooling device, as shown and described.

Feb. 28, 2020 (JP) ..... 2020-003895 D

Feb. 28, 2020 (JP) ..... 2020-003898 D

**DESCRIPTION**

(51) **LOC (13) Cl.** ..... **23-04**

(52) **U.S. Cl.**

USPC ..... **D23/314**

(58) **Field of Classification Search**

USPC ..... D23/314; D24/191, 206; D2/602, 860

CPC ..... A41D 23/00; A61F 7/00; A61F 7/10

See application file for complete search history.

FIG. 1 is a perspective view of the front, top and right side view of a neck cooling device according to a first embodiment showing my new design;

FIG. 2 is a front view thereof;

FIG. 3 is a rear view thereof;

FIG. 4 is a right side view thereof, a left side view being a mirror image;

FIG. 5 is a top view thereof;

FIG. 6 is a bottom view thereof;

FIG. 7 is a perspective view of the front, top and right side view of a neck cooling device according to a second embodiment showing my new design;

FIG. 8 is a front view thereof;

FIG. 9 is a rear view thereof;

FIG. 10 is a right side view thereof, a left side view being a mirror image;

FIG. 11 is a top view thereof; and,

FIG. 12 is a bottom view thereof.

(56) **References Cited**

U.S. PATENT DOCUMENTS

D710,514 S \* 8/2014 Campbell ..... D24/209

D719,662 S \* 12/2014 Pope ..... D24/191

D817,504 S \* 5/2018 Float ..... D24/191

D828,569 S \* 9/2018 Mercuro ..... D24/191

D884,201 S \* 5/2020 Fang ..... D24/206

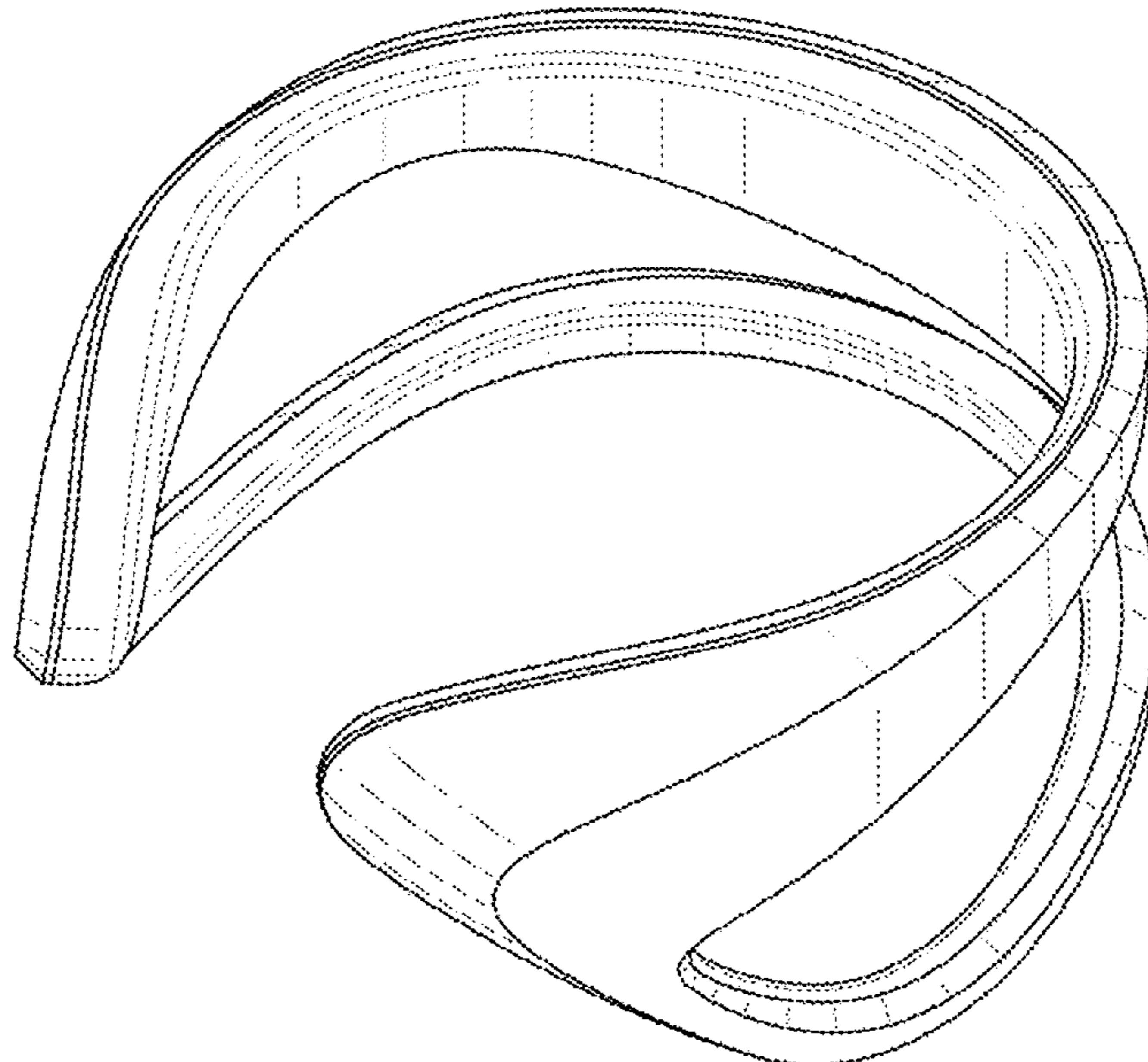
D890,354 S \* 7/2020 Fang ..... D24/206

D903,885 S \* 12/2020 Hamaguchi ..... D24/206

D903,886 S \* 12/2020 Hamaguchi ..... D24/206

2020/0205494 A1 \* 7/2020 Lucero ..... A61F 7/10

**1 Claim, 10 Drawing Sheets**



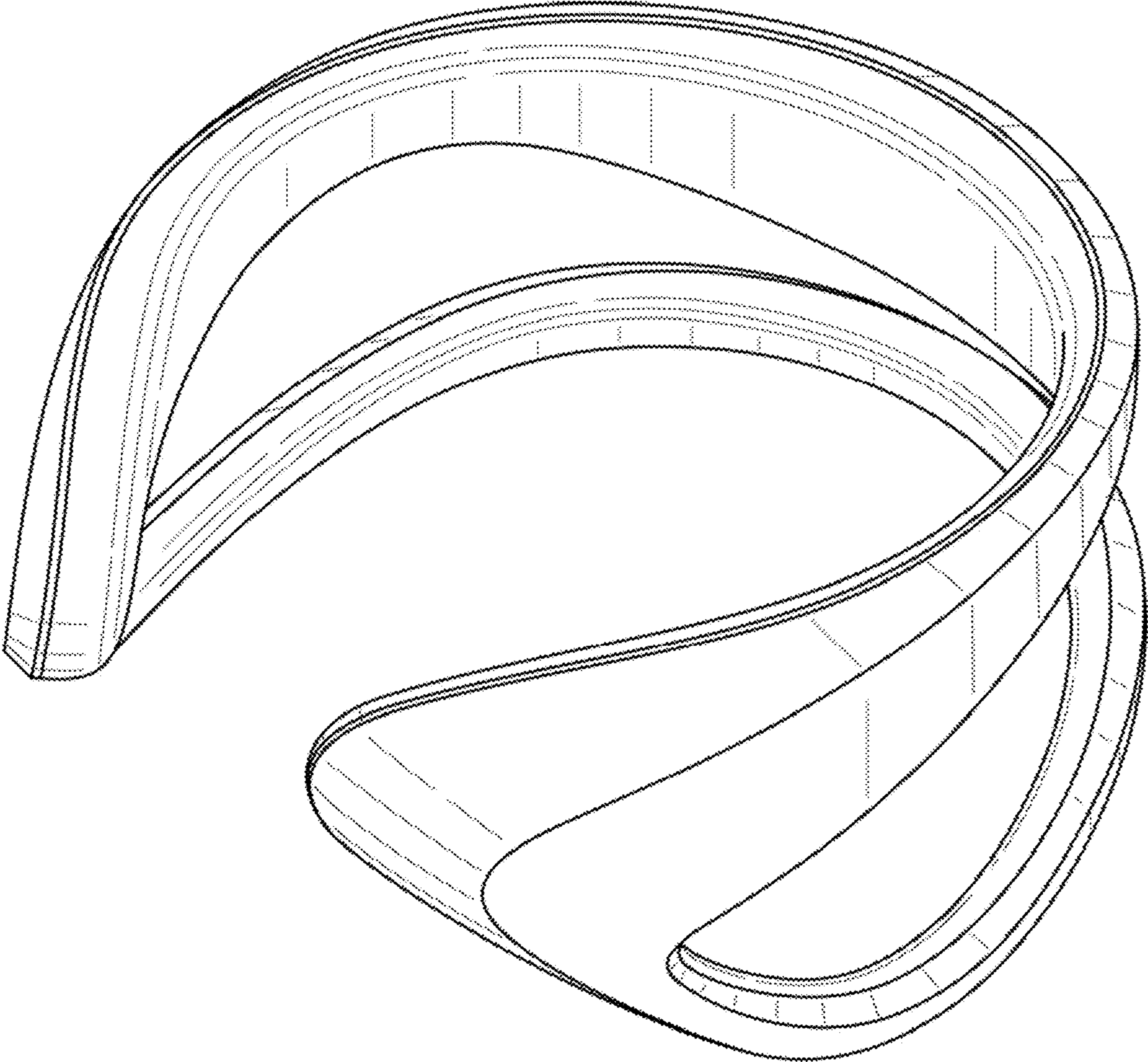


FIG. 1

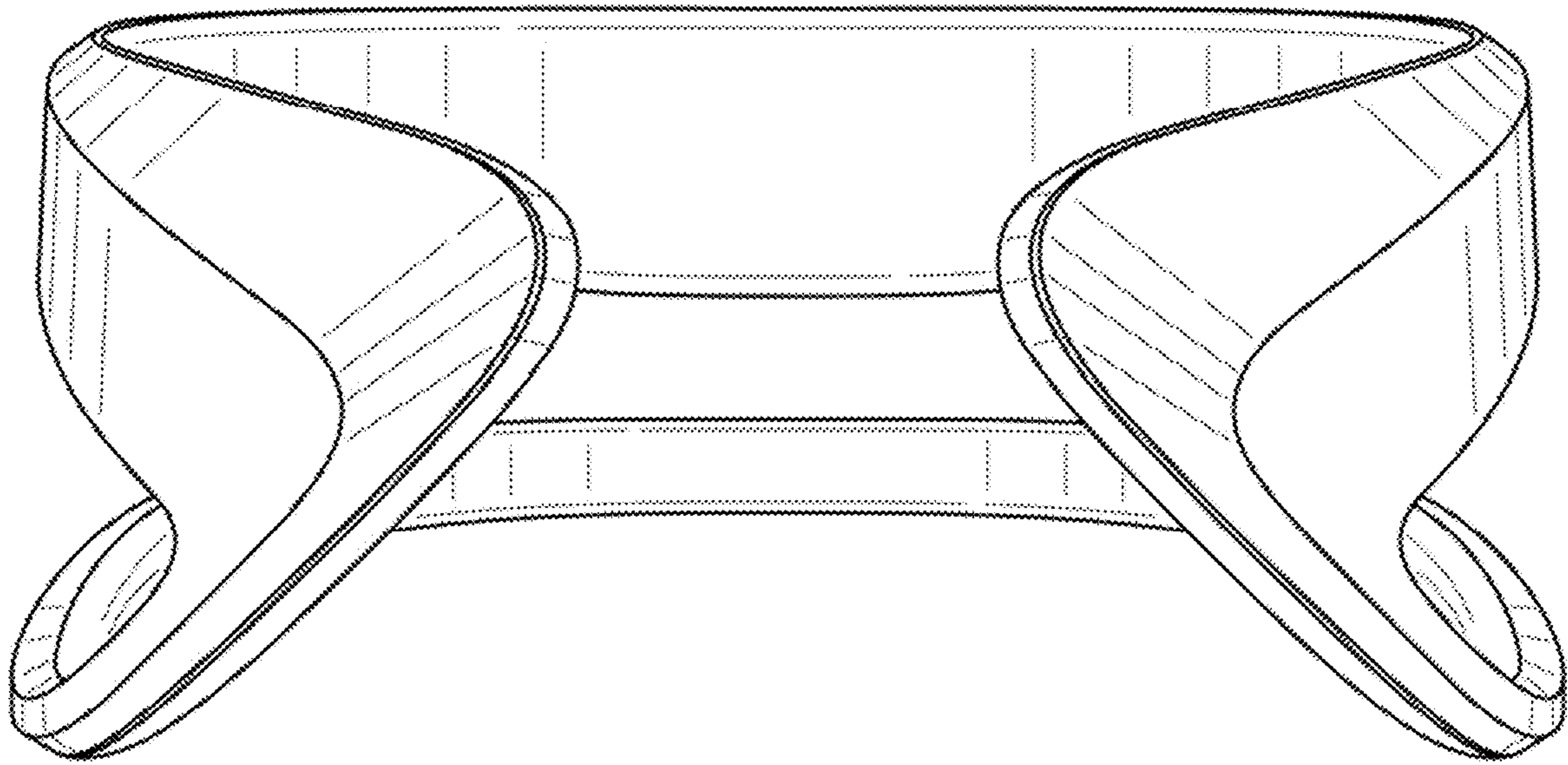


FIG. 2

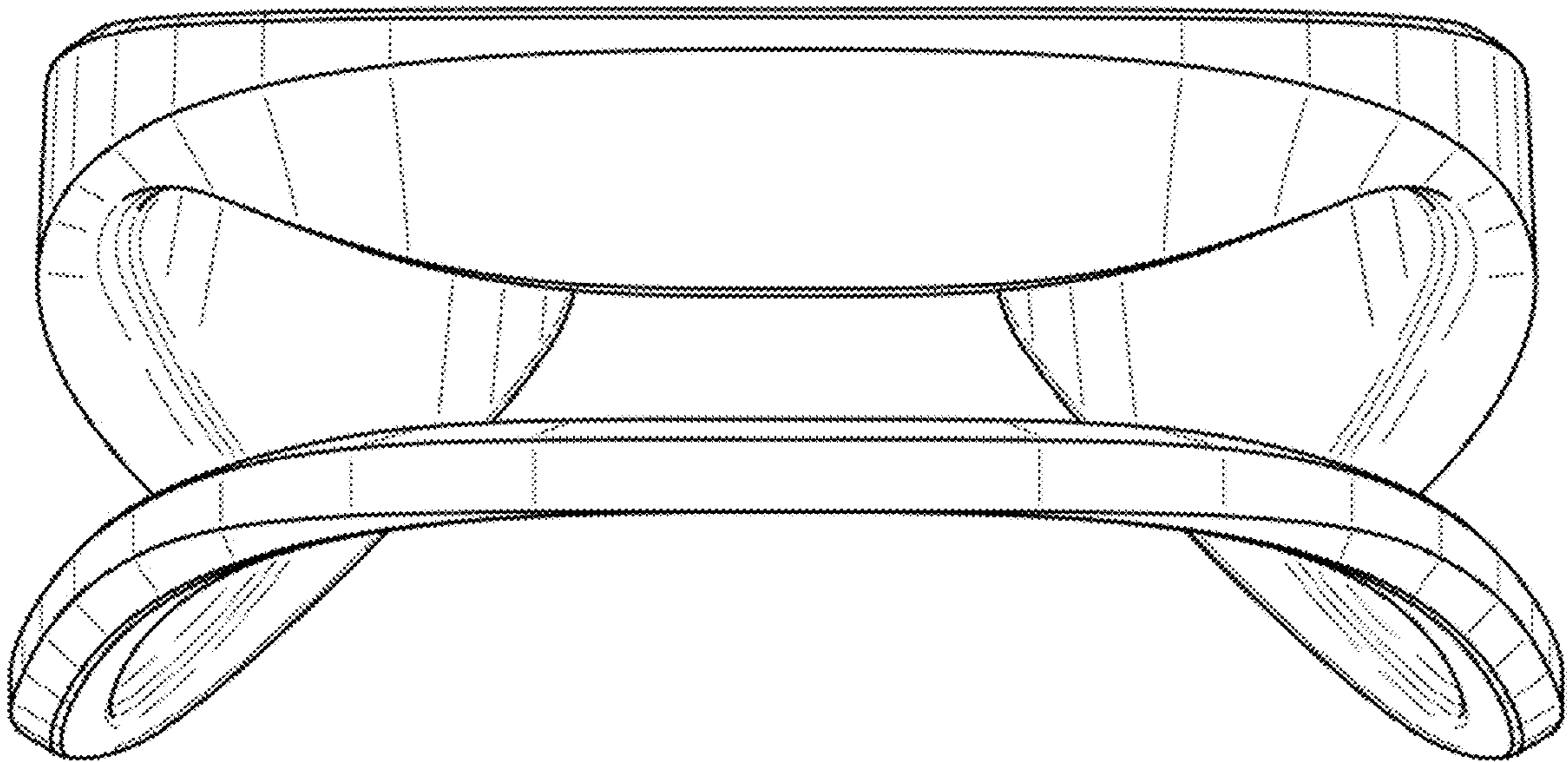


FIG. 3

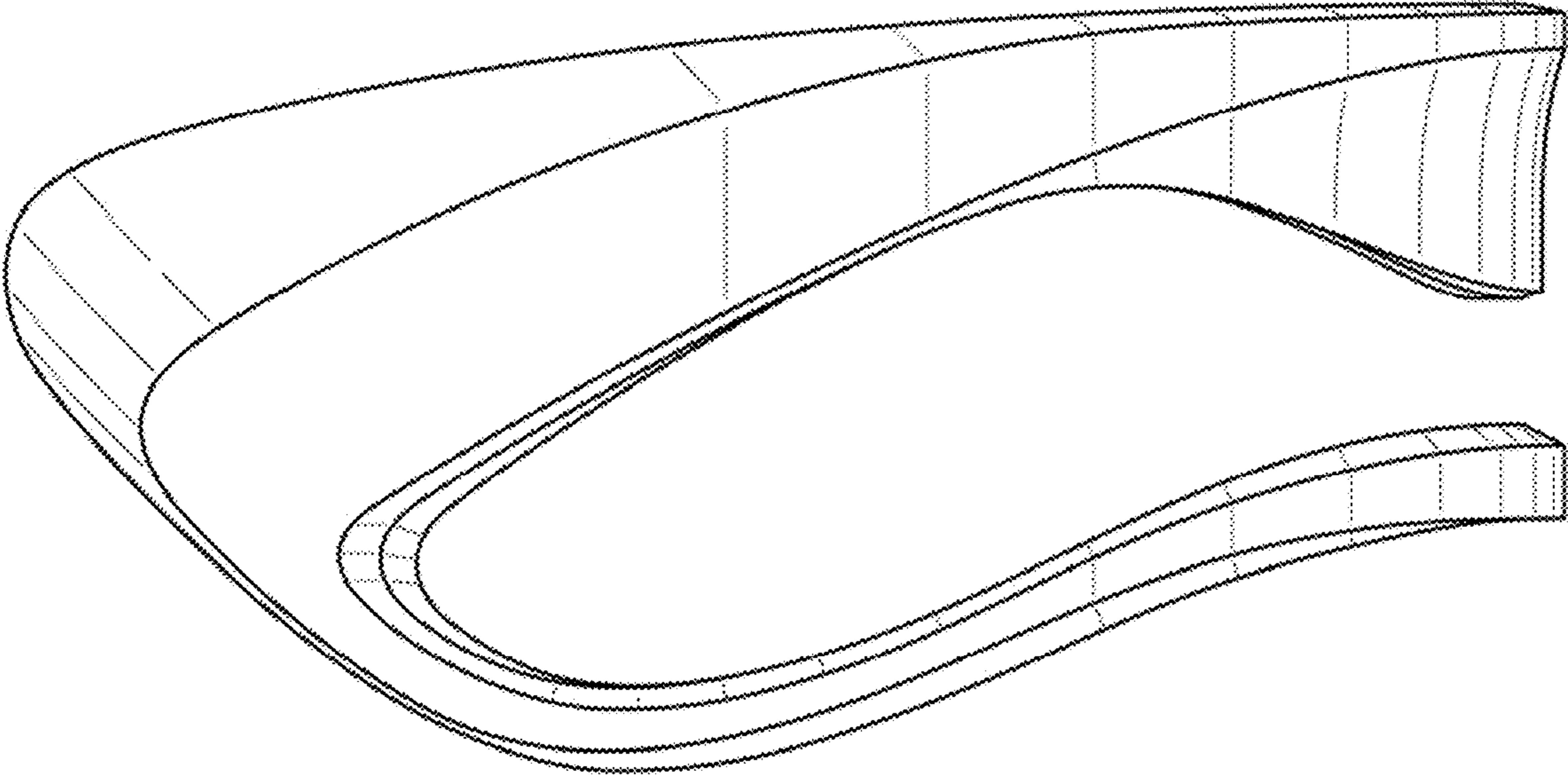


FIG. 4

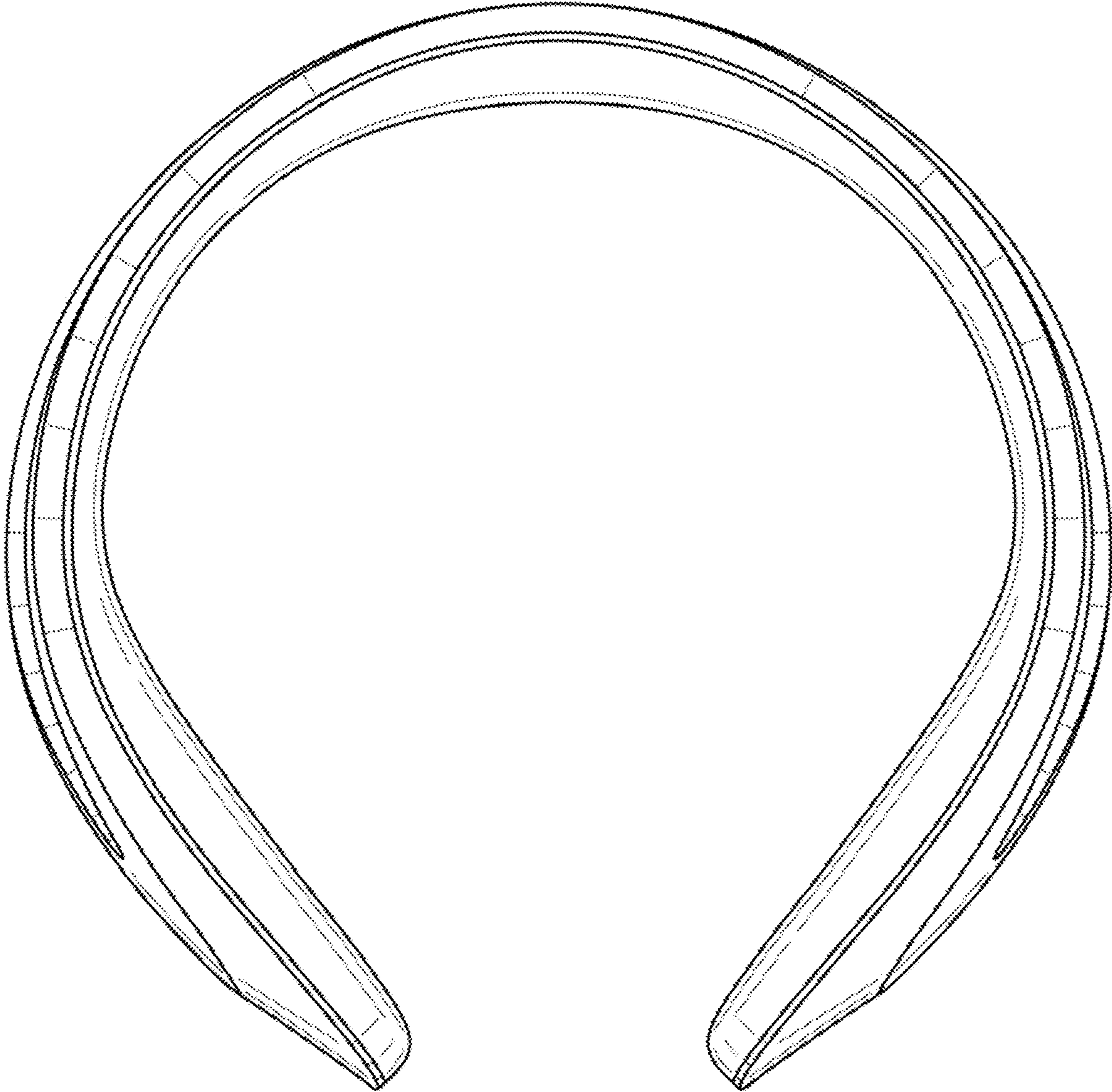


FIG. 5

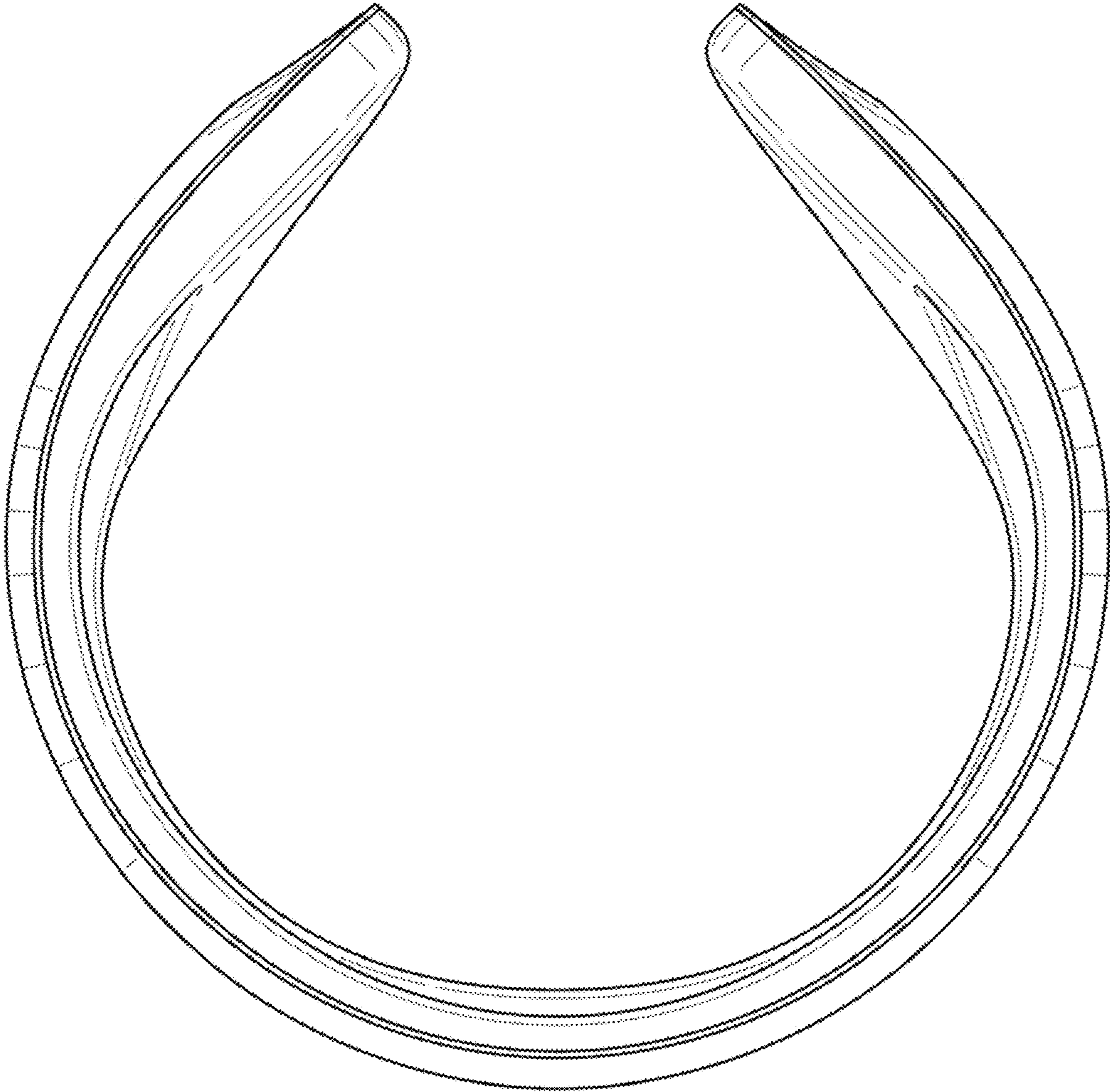


FIG. 6

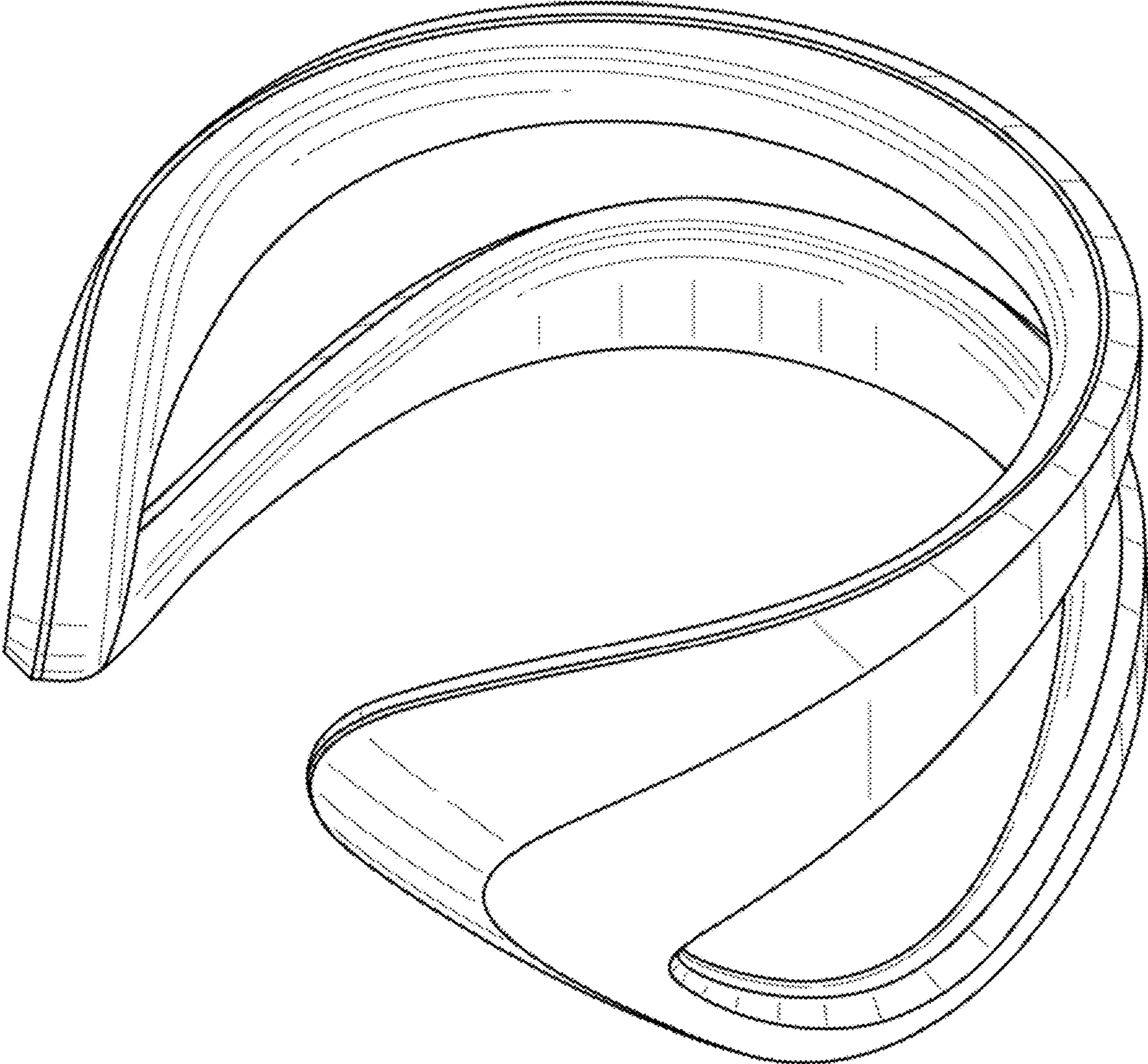


FIG. 7

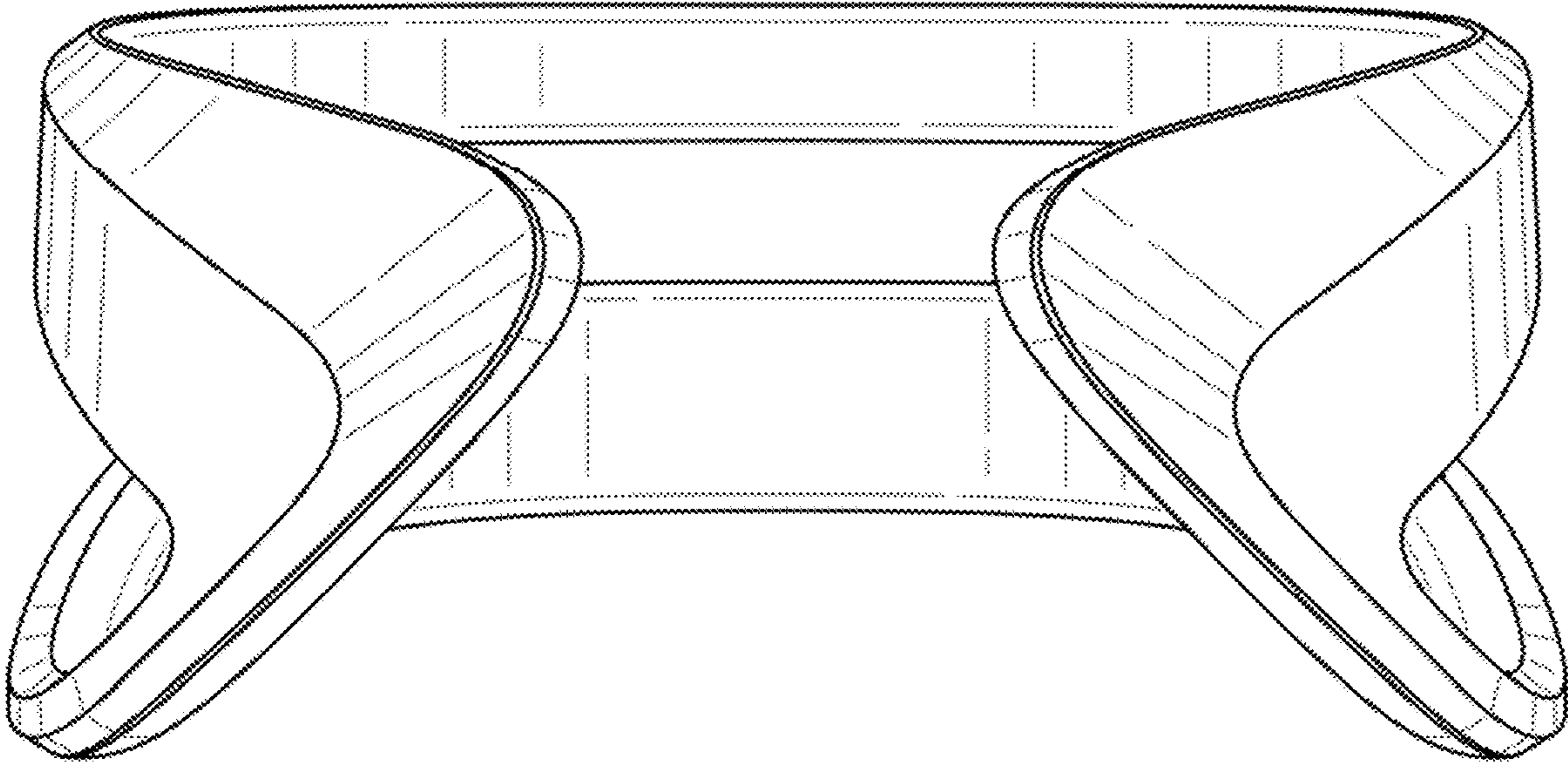


FIG. 8

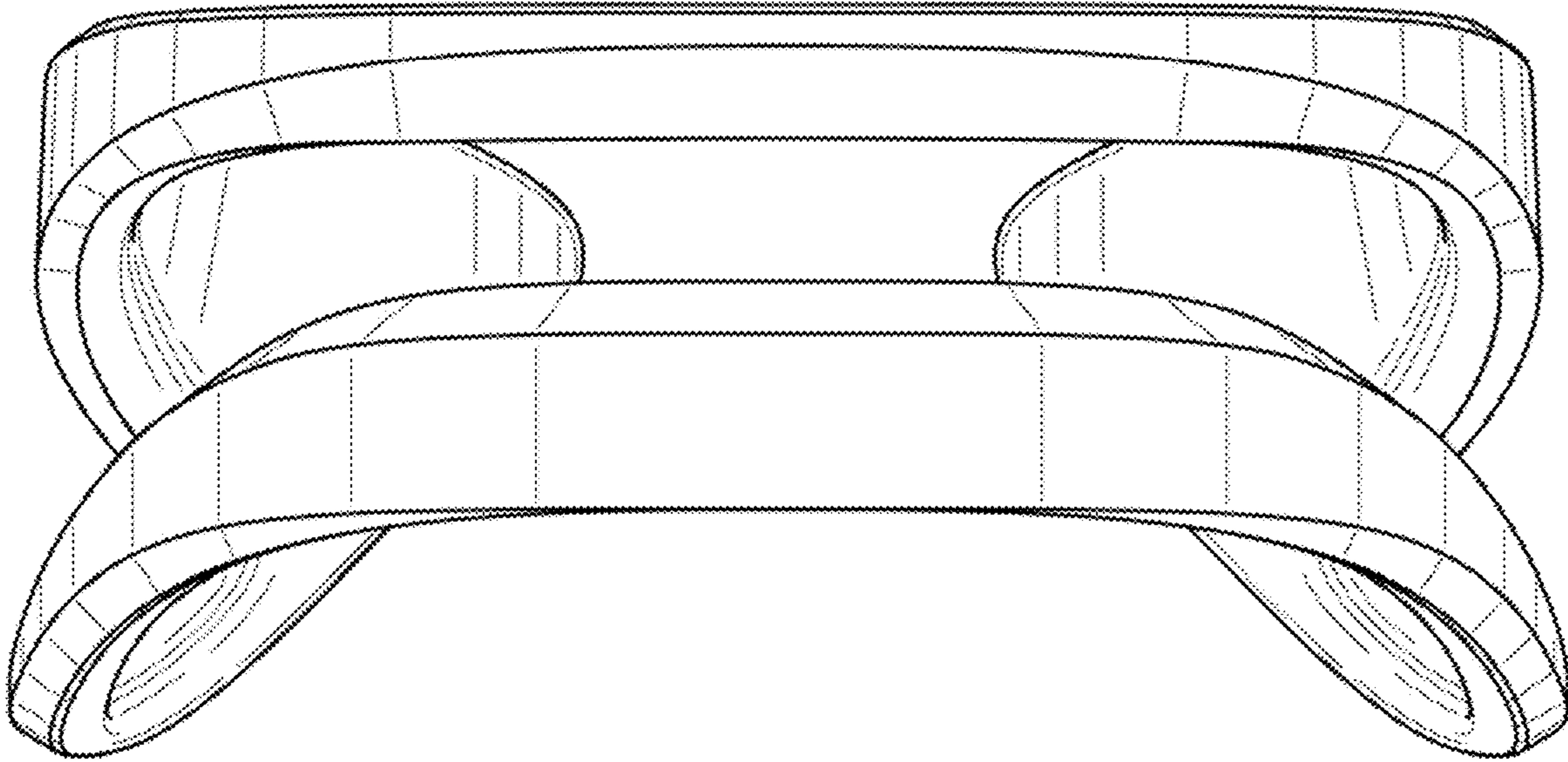


FIG. 9



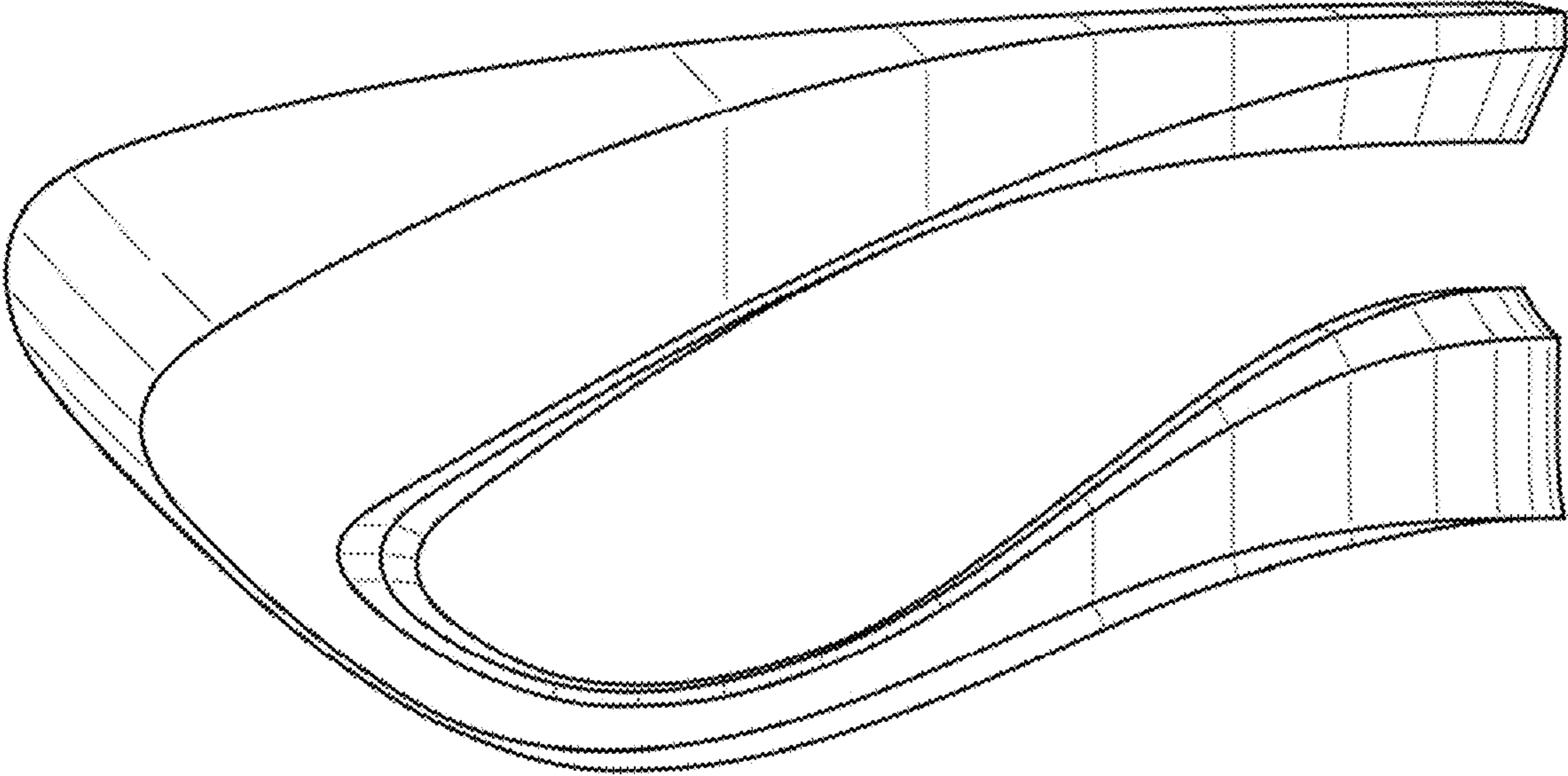


FIG. 10

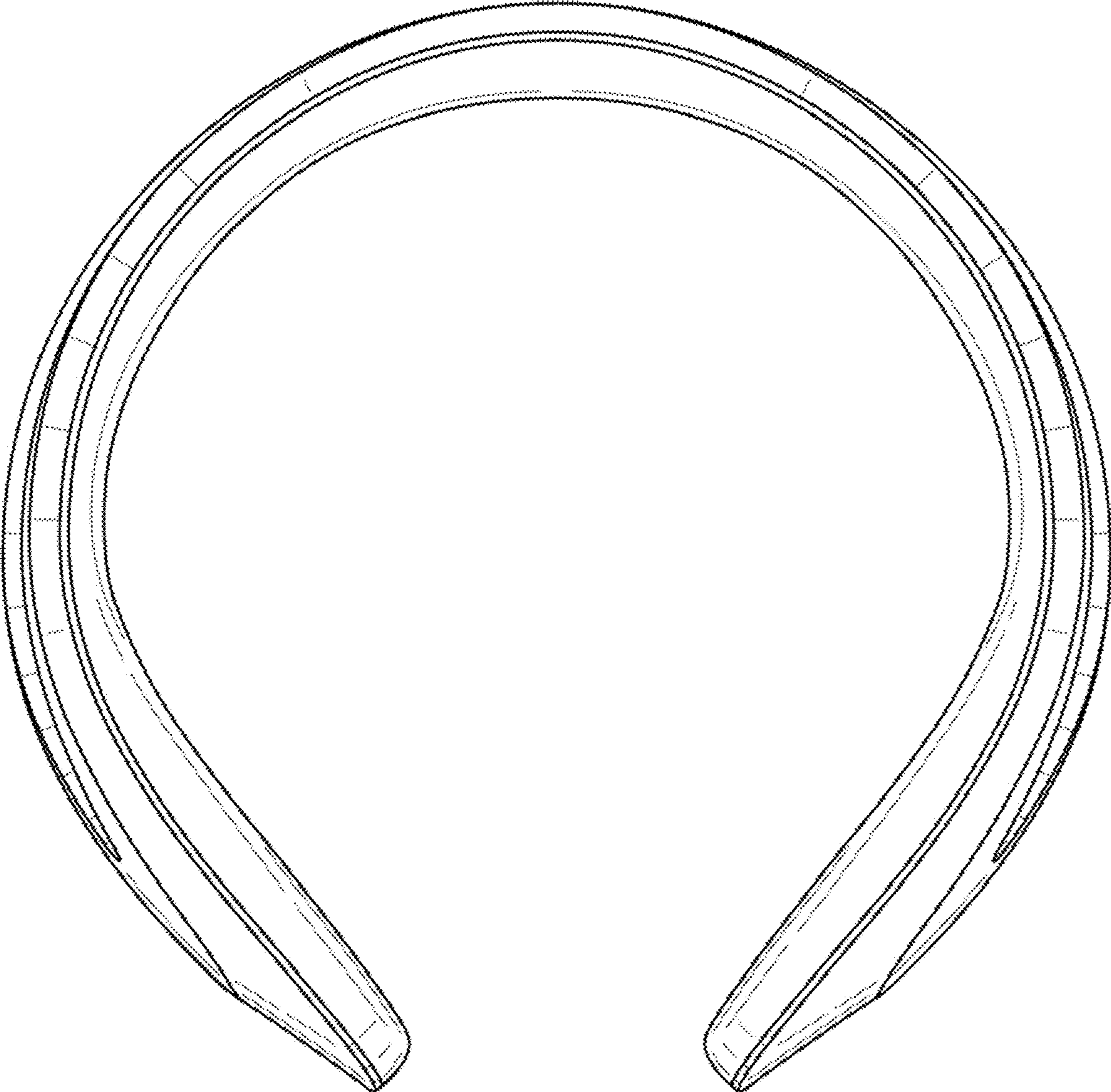


FIG. 11

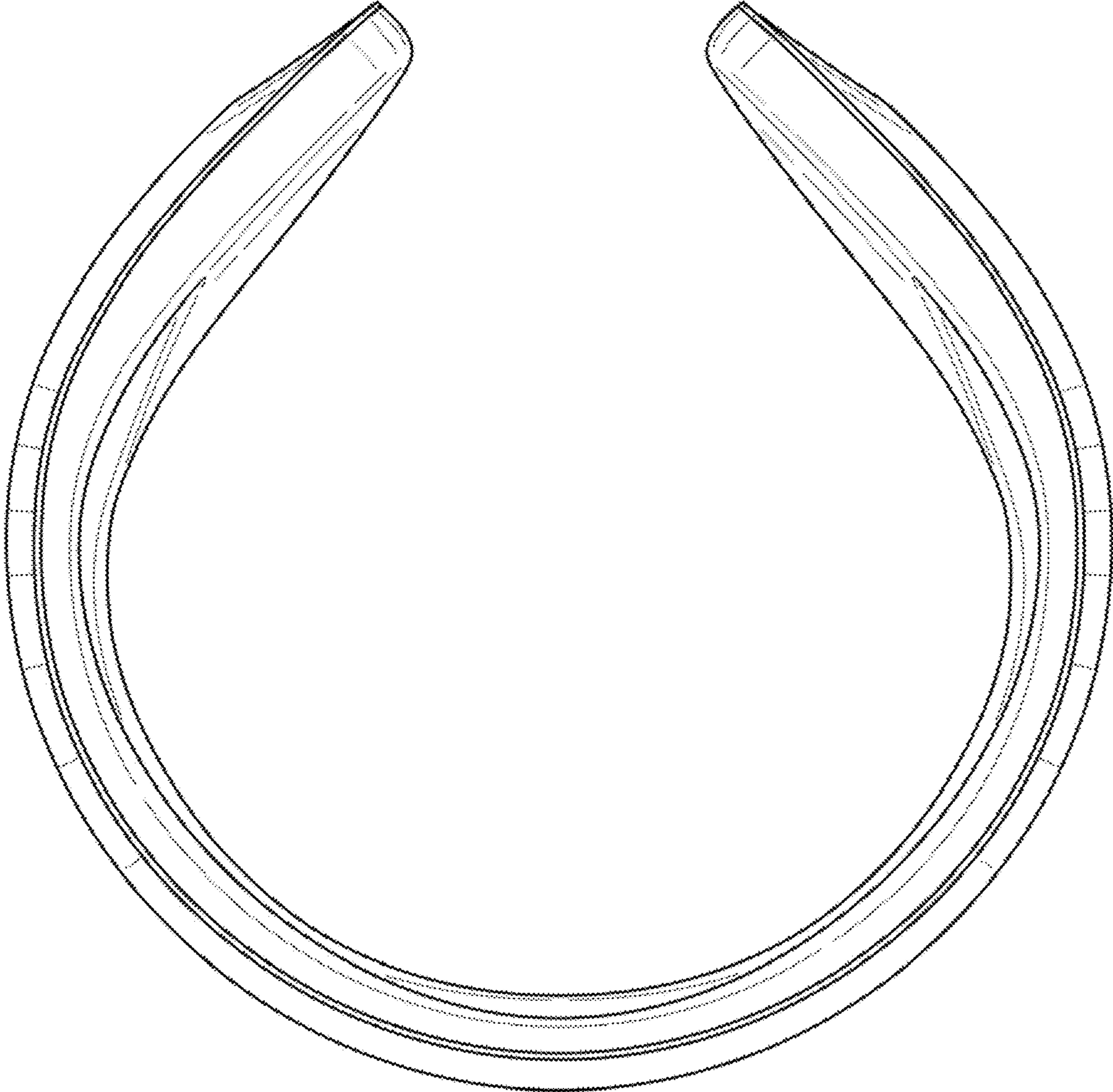


FIG. 12