



US00D957594S

(12) **United States Design Patent** (10) **Patent No.:** **US D957,594 S**
Kergoët (45) **Date of Patent:** **** Jul. 12, 2022**

(54) **TOILET**
(71) Applicant: **KOHLER CO.**, Kohler, WI (US)
(72) Inventor: **François Kergoët**, Malakoff (FR)
(73) Assignee: **KOHLER CO.**, Kohler, WI (US)
(**) Term: **15 Years**
(21) Appl. No.: **29/737,950**
(22) Filed: **Jun. 12, 2020**

D455,477 S 4/2002 Soulier
D496,444 S 9/2004 Kergoët
D520,613 S 5/2006 Soulier
D531,714 S 11/2006 Soulier
D532,494 S 11/2006 Mukai
D556,870 S 12/2007 Lin et al.
D556,872 S 12/2007 Crowther et al.
D596,276 S 7/2009 Espinoza
D606,178 S * 12/2009 Cummings D23/295
D609,791 S 2/2010 Cummings et al.
D624,997 S 10/2010 Schonherr et al.
D638,525 S 5/2011 Matsuura et al.
D646,366 S 10/2011 Palomba et al.
D654,576 S 2/2012 Cornille
D654,993 S 2/2012 Ando et al.
D657,031 S 4/2012 Bickerstaffe et al.
D667,941 S 9/2012 Bickerstaffe et al.
D764,033 S 8/2016 Chuk et al.

Related U.S. Application Data

(62) Division of application No. 29/648,010, filed on May 17, 2018, now Pat. No. Des. 888,909.
(51) **LOC (13) Cl.** **23-02**
(52) **U.S. Cl.**
USPC **D23/309**
(58) **Field of Classification Search**
USPC D23/295-303, 309, 311-313
CPC A47K 11/02; A47K 11/026; A47K 11/00;
A47K 13/00; E03D 11/18; E03D 5/10;
E03D 13/00
See application file for complete search history.

(Continued)

Primary Examiner — John A Voytek
(74) *Attorney, Agent, or Firm* — Foley & Lardner LLP

(57) **CLAIM**

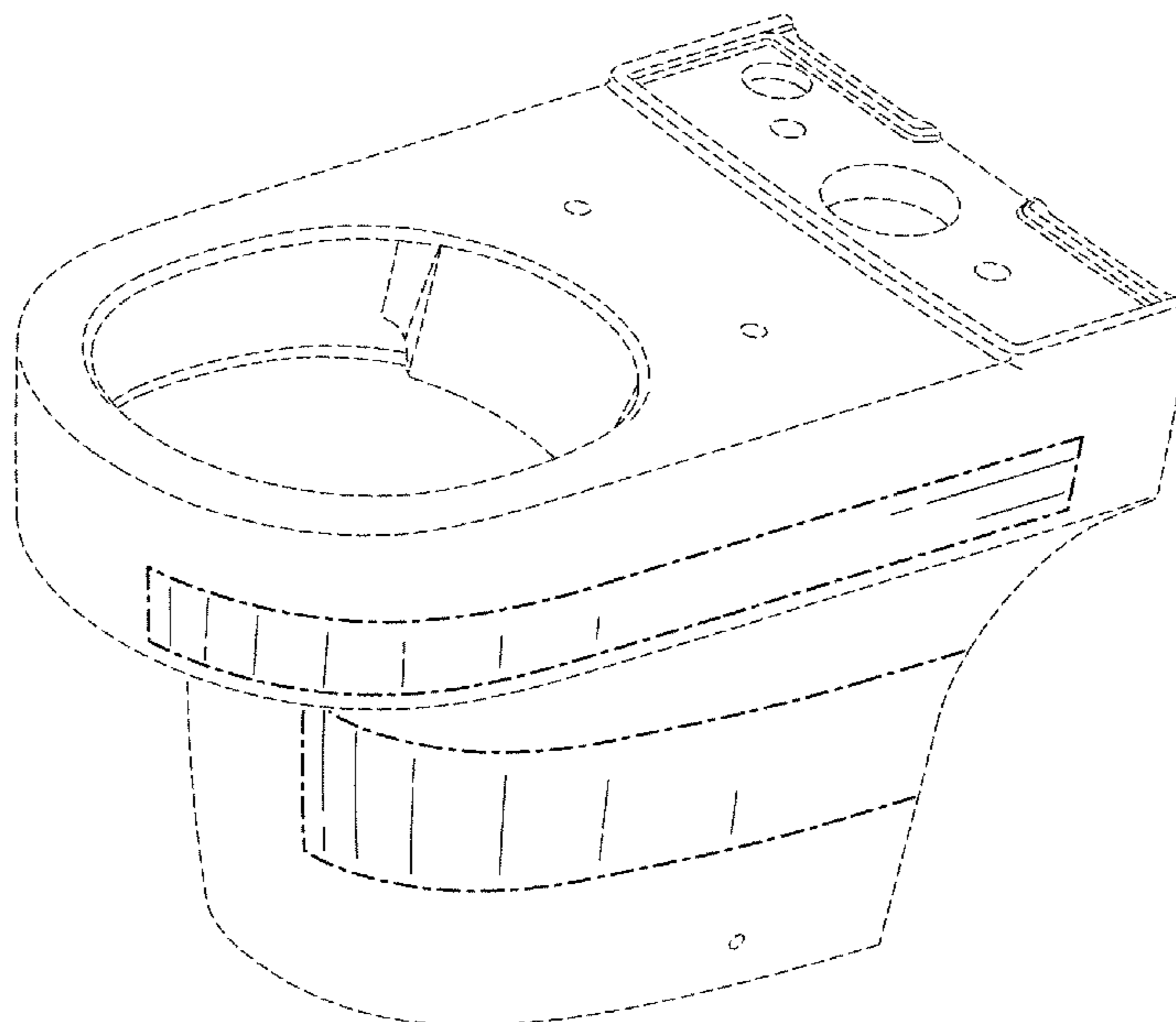
I claim the ornamental design for a toilet, as shown and described.

DESCRIPTION

FIG. 1 is a perspective view of the claimed design;
FIG. 2 is a front view of FIG. 1;
FIG. 3 is a rear view of FIG. 1;
FIG. 4 is a side view of FIG. 1;
FIG. 5 is another side view of FIG. 1;
FIG. 6 is a top view of FIG. 1; and,
FIG. 7 is a bottom view of FIG. 1.
The ornamental design which is claimed is shown in solid lines in the drawings. The broken lines in the drawings are for illustrative purposes only and form no part of the claimed design. Broken lines formed of unequal length dashes (i.e., dash-dot) define bounds of the claimed design.

(56) **References Cited**
U.S. PATENT DOCUMENTS
667,941 A 2/1901 Hawkins
D226,910 S 5/1973 Doman
D309,939 S 8/1990 Yvetot
D349,156 S 7/1994 Kohler, Jr. et al.
D354,341 S 1/1995 Kohler, Jr. et al.
D379,217 S 5/1997 Kergoët
D406,325 S * 3/1999 Nagato D23/301
D406,326 S * 3/1999 Tani D23/301
D428,122 S 7/2000 Garza
D445,884 S 7/2001 Marshall et al.
D455,202 S 4/2002 Soulier

1 Claim, 6 Drawing Sheets



(56)

References Cited

U.S. PATENT DOCUMENTS

D767,743 S	9/2016	Reid et al.	
D782,634 S	3/2017	Reid et al.	
D796,652 S	9/2017	Vish et al.	
D798,424 S	9/2017	Mesun et al.	
D801,491 S	10/2017	Stevenson et al.	
D802,105 S	11/2017	Stevenson et al.	
D802,106 S	11/2017	Stevenson et al.	
D807,479 S	1/2018	Chuk et al.	
D807,480 S	1/2018	Chuk et al.	
D888,908 S *	6/2020	Kergoët	D23/309
D888,909 S *	6/2020	Kergoët	D23/309
D913,458 S *	3/2021	Kergoët	D23/295
D913,459 S *	3/2021	Kergoët	D23/295

* cited by examiner

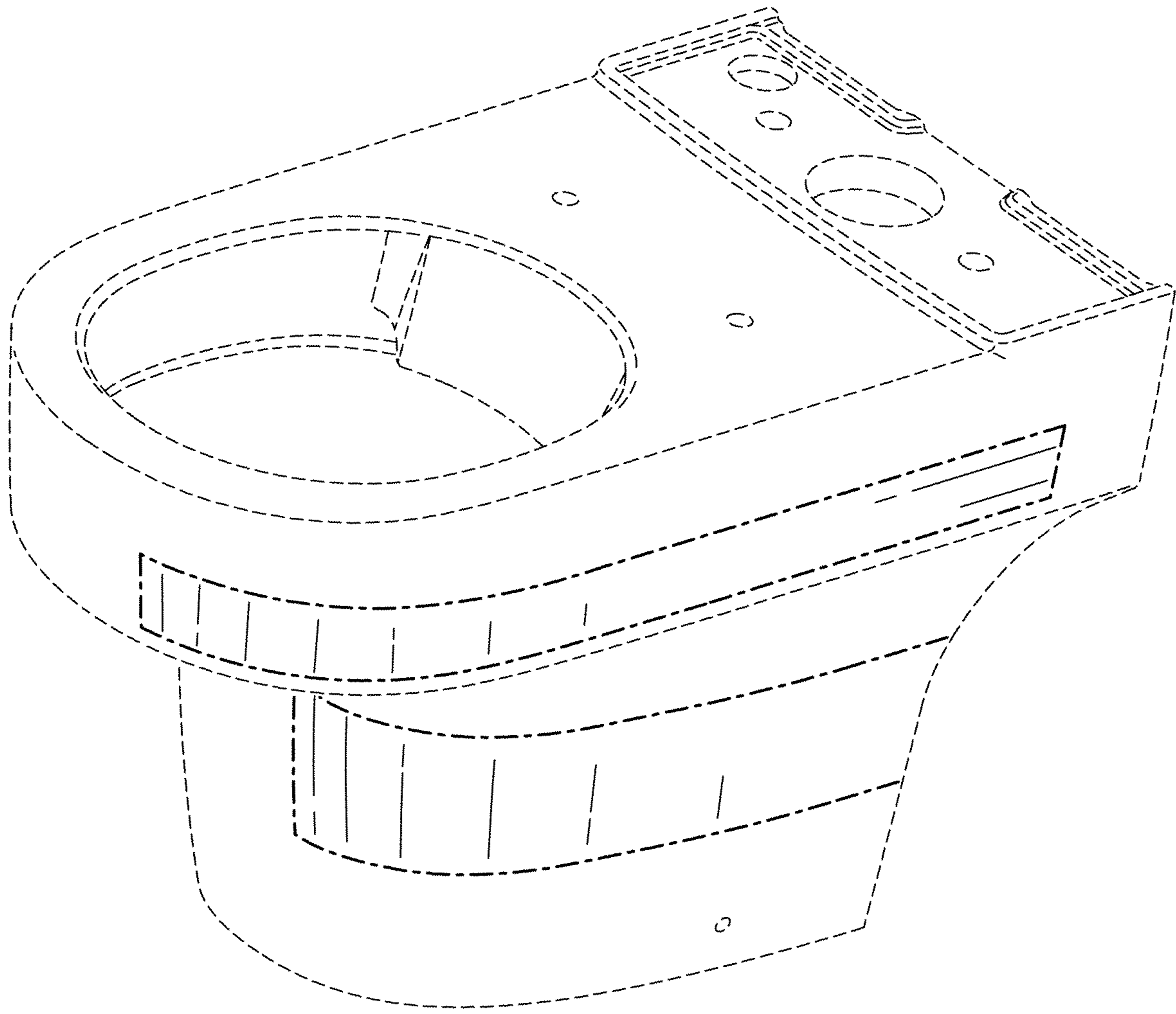


FIG. 1

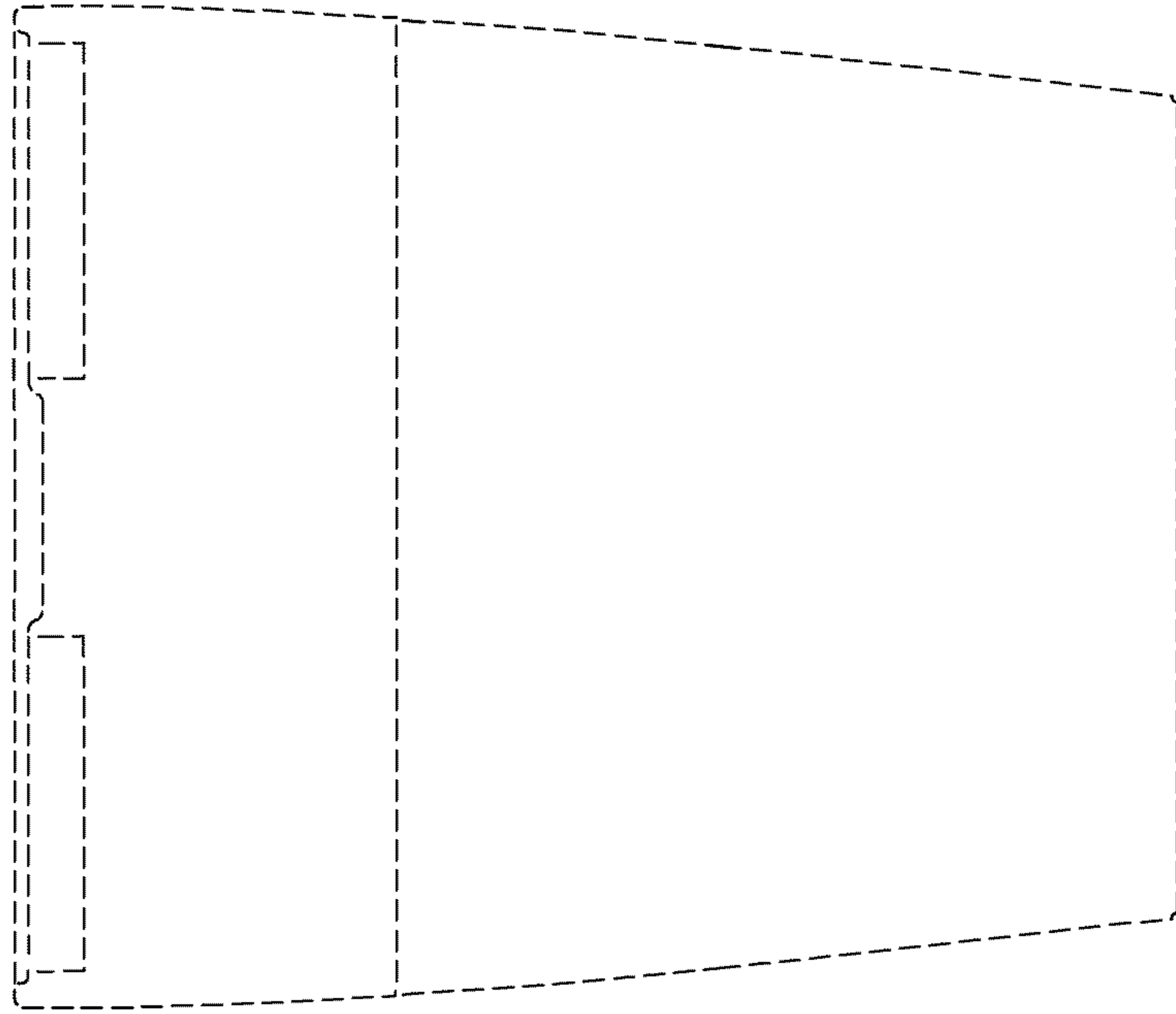


FIG. 2

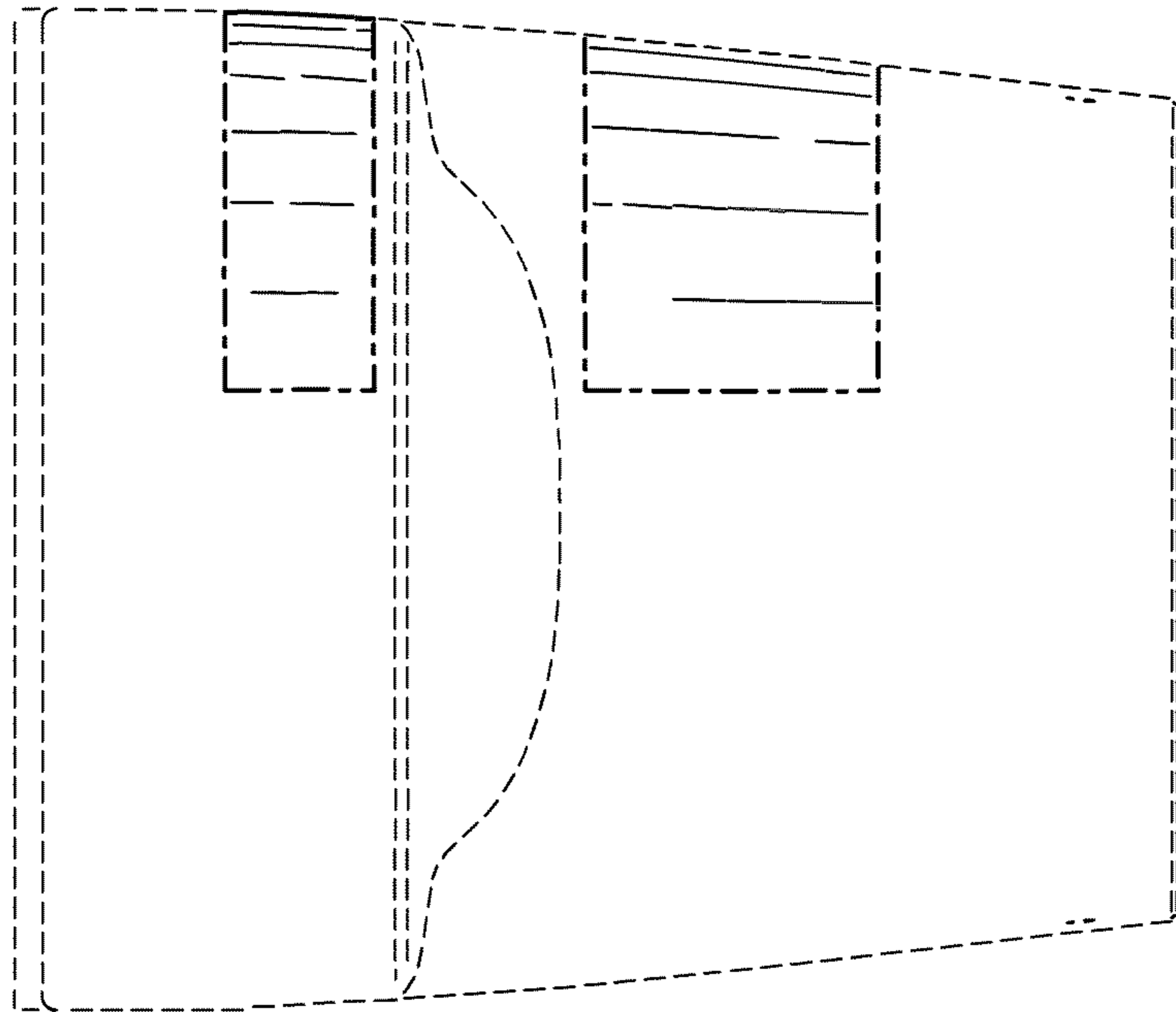


FIG. 3

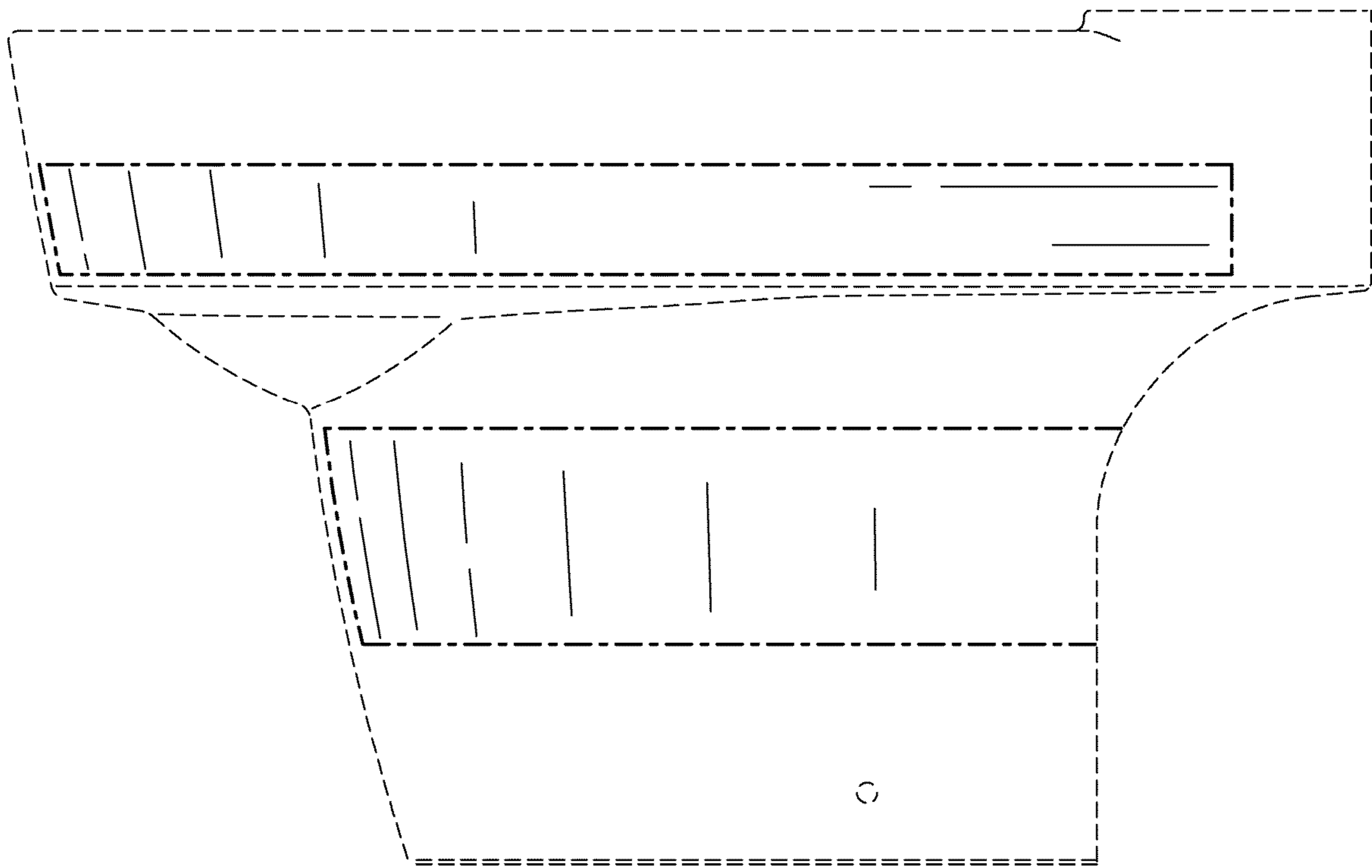


FIG. 4

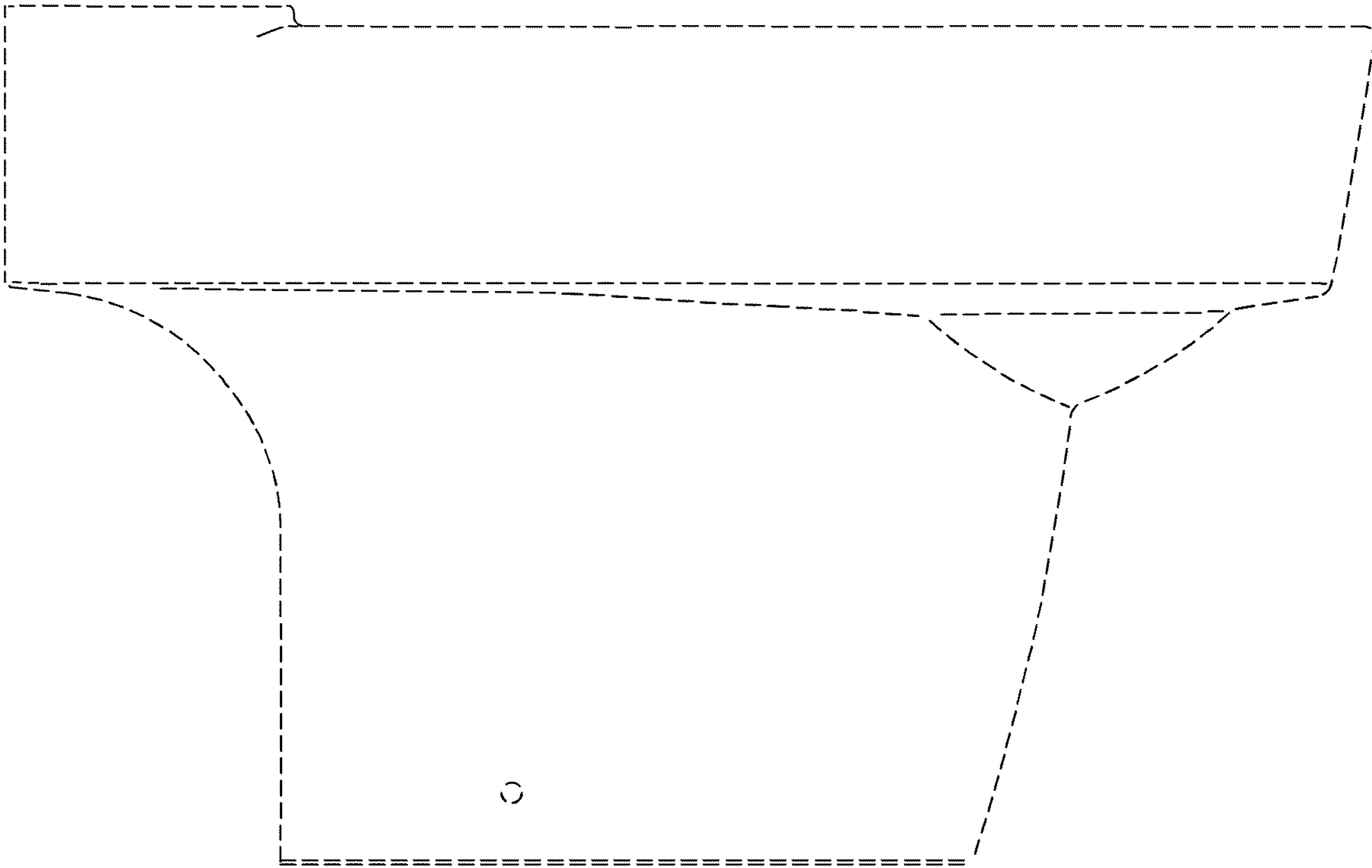


FIG. 5

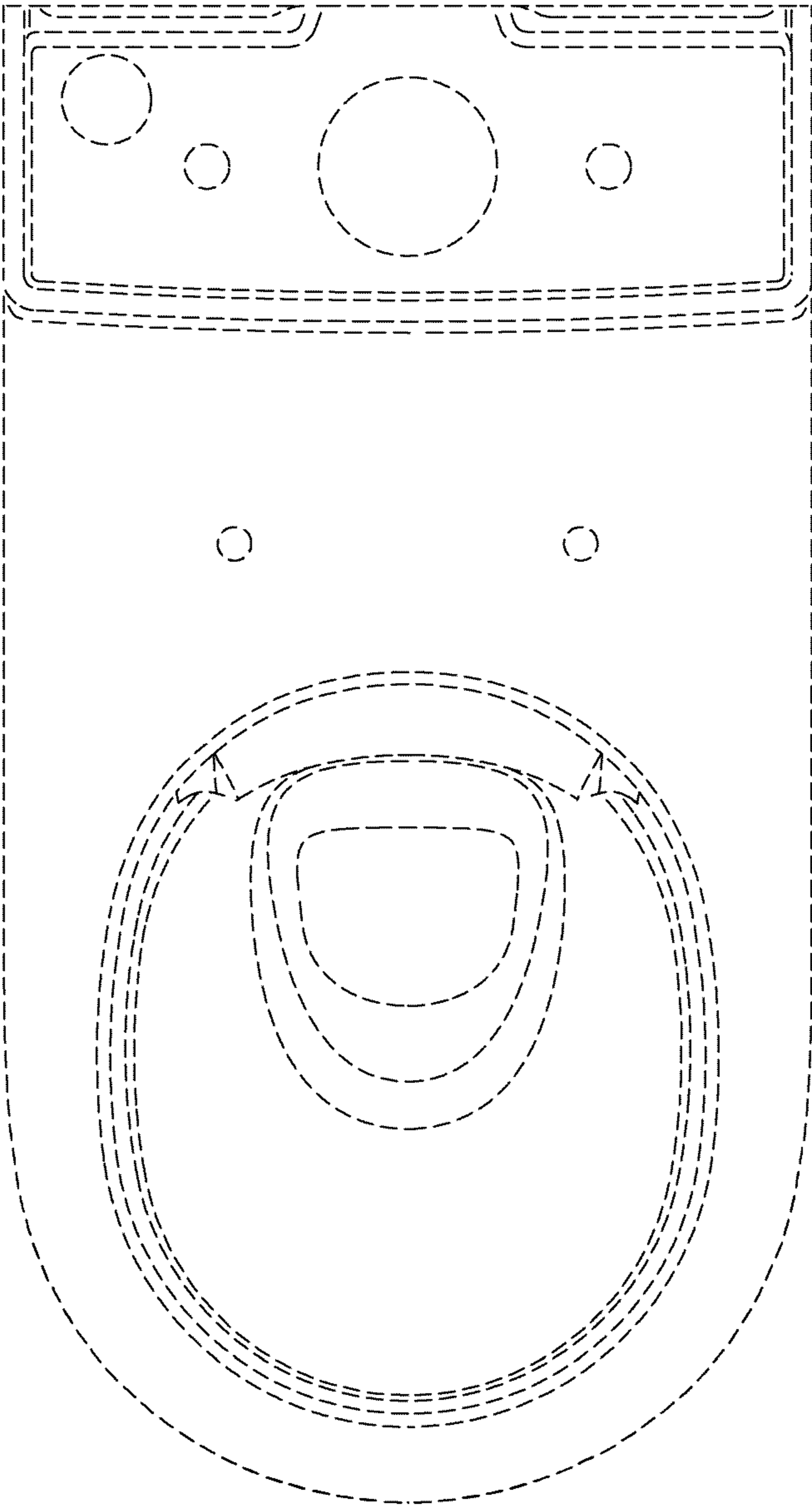


FIG. 6

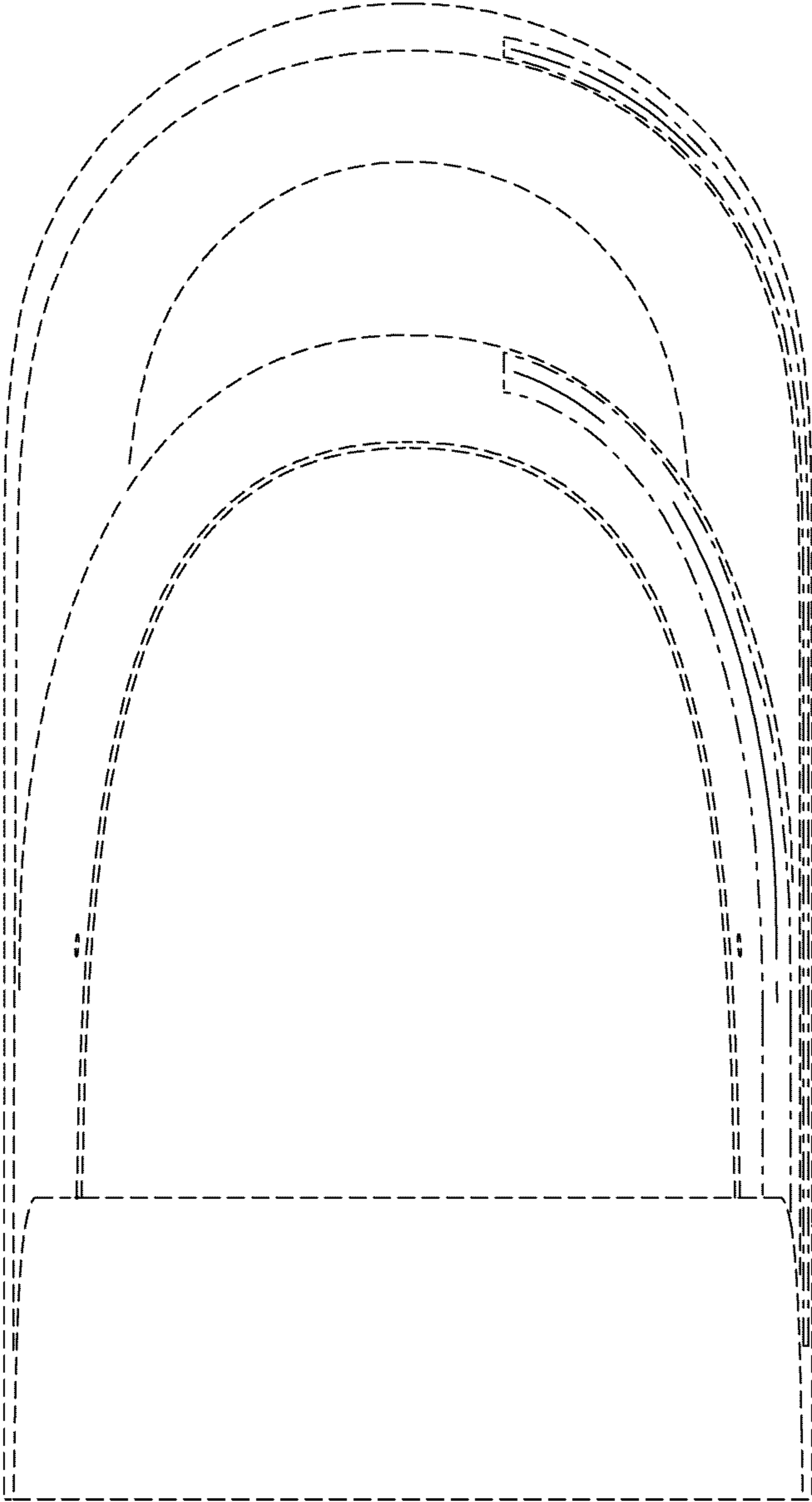


FIG. 7