

US00D957593S

(12) **United States Design Patent** (10) **Patent No.:** **US D957,593 S**
Shell et al. (45) **Date of Patent:** **** Jul. 12, 2022**

(54) **WASHING STATION**

(71) Applicant: **Elkay Manufacturing Company**,
Downers Grove, IL (US)

(72) Inventors: **Michael Shell**, Elgin, IL (US); **Brian Gallagher**, Elmhurst, IL (US); **Steven McKenzie**, Otis Orchards, WA (US)

(73) Assignee: **Elkay Manufacturing Company**,
Downers Grove, IL (US)

(**) Term: **15 Years**

(21) Appl. No.: **29/737,494**

(22) Filed: **Jun. 9, 2020**

(51) **LOC (13) Cl.** **23-02**

(52) **U.S. Cl.**
USPC **D23/286**

(58) **Field of Classification Search**
USPC D23/286–287, 270–271; D24/234;
D6/642, 655.1, 655.18
See application file for complete search history.

(56) **References Cited**

U.S. PATENT DOCUMENTS

D255,924 S *	7/1980	Rosenkranz	D23/292
D401,678 S *	11/1998	Scheel	D23/286
6,253,394 B1	7/2001	Goyette et al.		
D676,945 S *	2/2013	Schindler	D23/286
D855,273 S *	7/2019	Bhushan	D23/286
D912,228 S *	3/2021	Chong	E03C 1/04 D23/286

2015/0216369 A1	8/2015	Hamilton et al.		
2021/0321829 A1*	10/2021	Shell	A47K 10/24

OTHER PUBLICATIONS

Eagle Group HFL-5000 Series Touch-Free Handwashing Systems.
Specification Sheet. Aug. 2018 [Retrieved on Jan. 13, 2021].

Ozark River Portable Sinks,. Elite Pro 1 Hot Water Portable hand Wash Sink. Quick Guide, Jan. 31, 2017 (Jan. 31, 2017) [retrieved on Jan. 13, 2021].

The United States and Trademark Office, International Search Report and Written Opinion in international application No. PCT/US2020/059714 (dated Feb. 9, 2021).

* cited by examiner

Primary Examiner — Robert A Delehanty

(74) *Attorney, Agent, or Firm* — Neal, Gerber & Eisenberg LLP; Tanvi Patel; Nawshaba M. Siddiquee

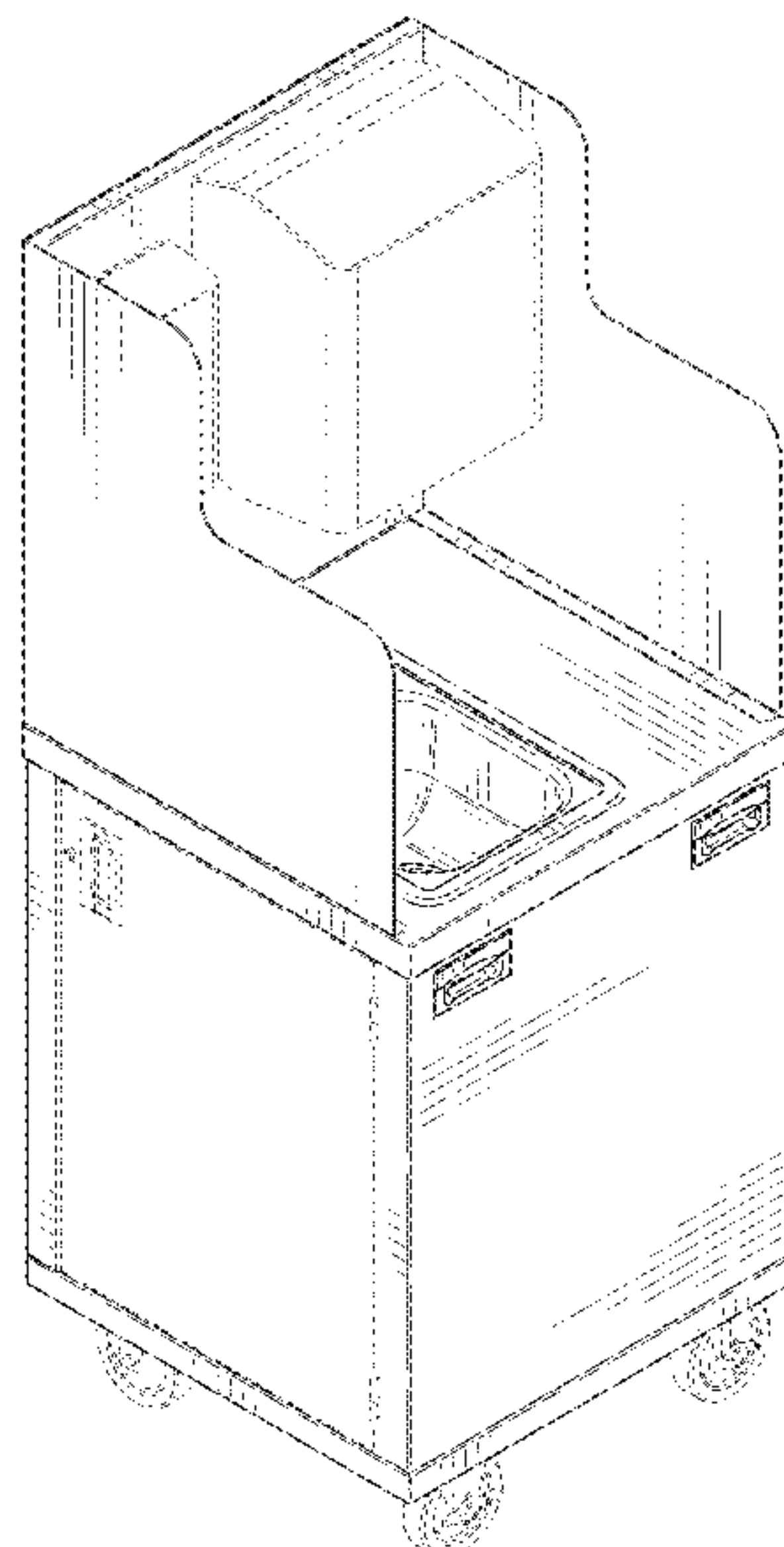
(57) **CLAIM**

The ornamental design for a washing station, as shown and described.

DESCRIPTION

FIG. 1 is a left perspective view of a washing station, showing our new design.
FIG. 2 is a right perspective view thereof.
FIG. 3 is a front view thereof.
FIG. 4 is a back view thereof.
FIG. 5 is a right side view thereof.
FIG. 6 is a left side view thereof.
FIG. 7 is a top view thereof.
FIG. 8 is a bottom view thereof.
FIG. 9 is a cross-sectional bottom view taken from where the faucet meets the countertop.
FIG. 10 is a left perspective view with the privacy shroud removed.
FIG. 11 is a right perspective view with the privacy shroud removed.
FIG. 12 is a left side view with the privacy shroud removed.
FIG. 13 is a right side view with the privacy shroud removed; and,
FIG. 14 is a top view with the privacy shroud removed.
The broken lines are directed to environment, for illustrative purposes only, and form no part of the claimed design.

1 Claim, 13 Drawing Sheets



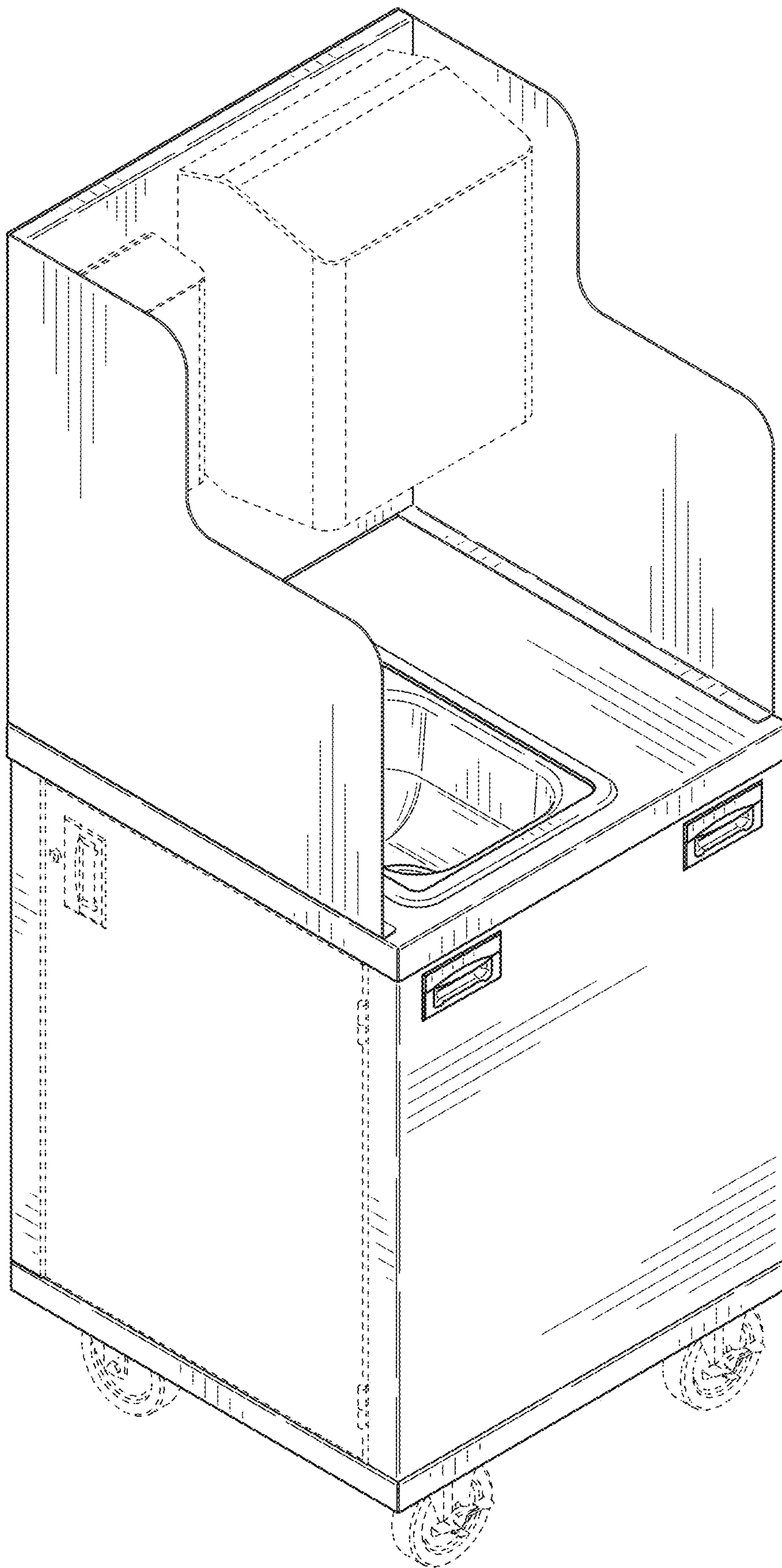


FIG. 1

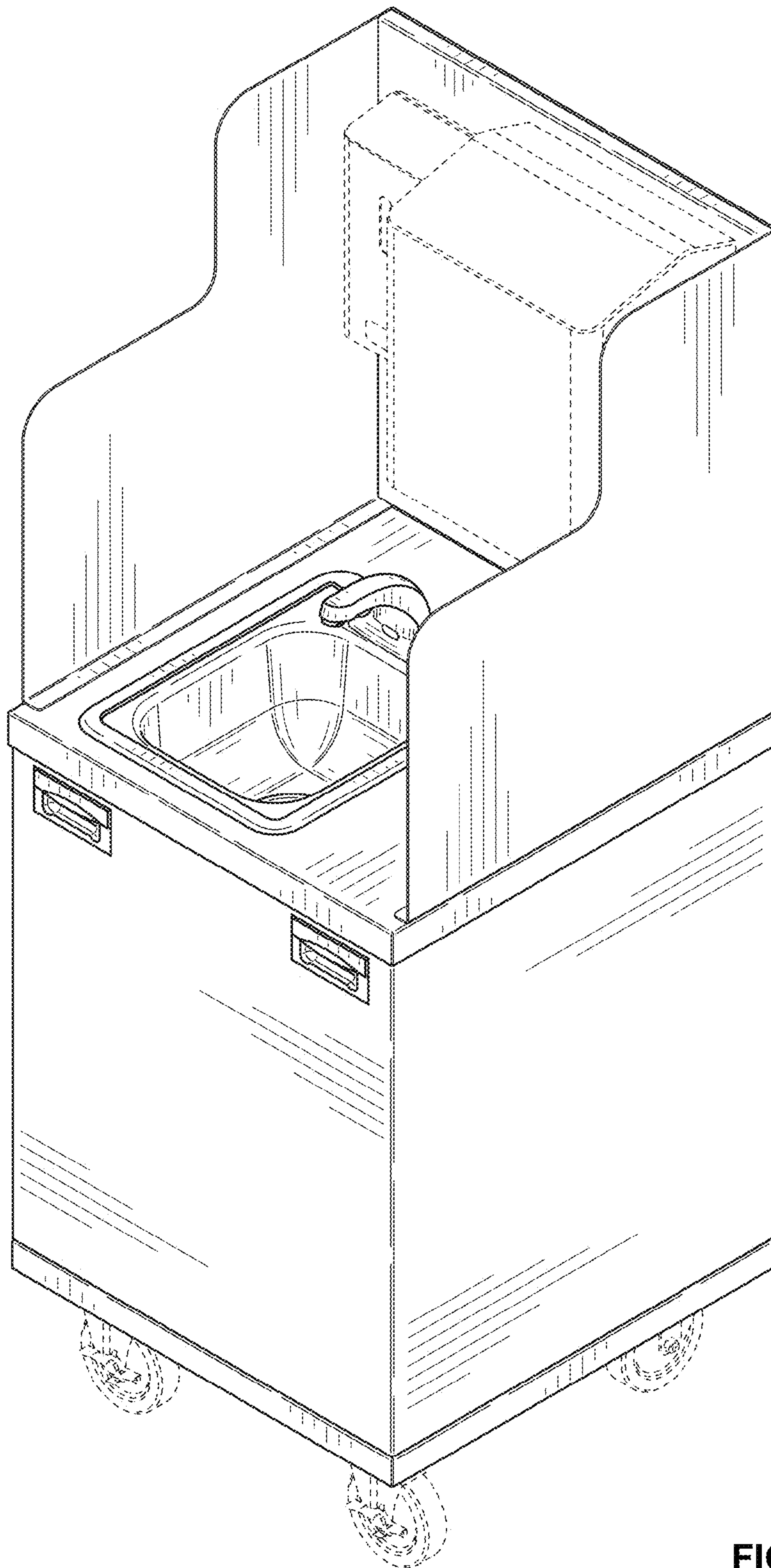


FIG. 2

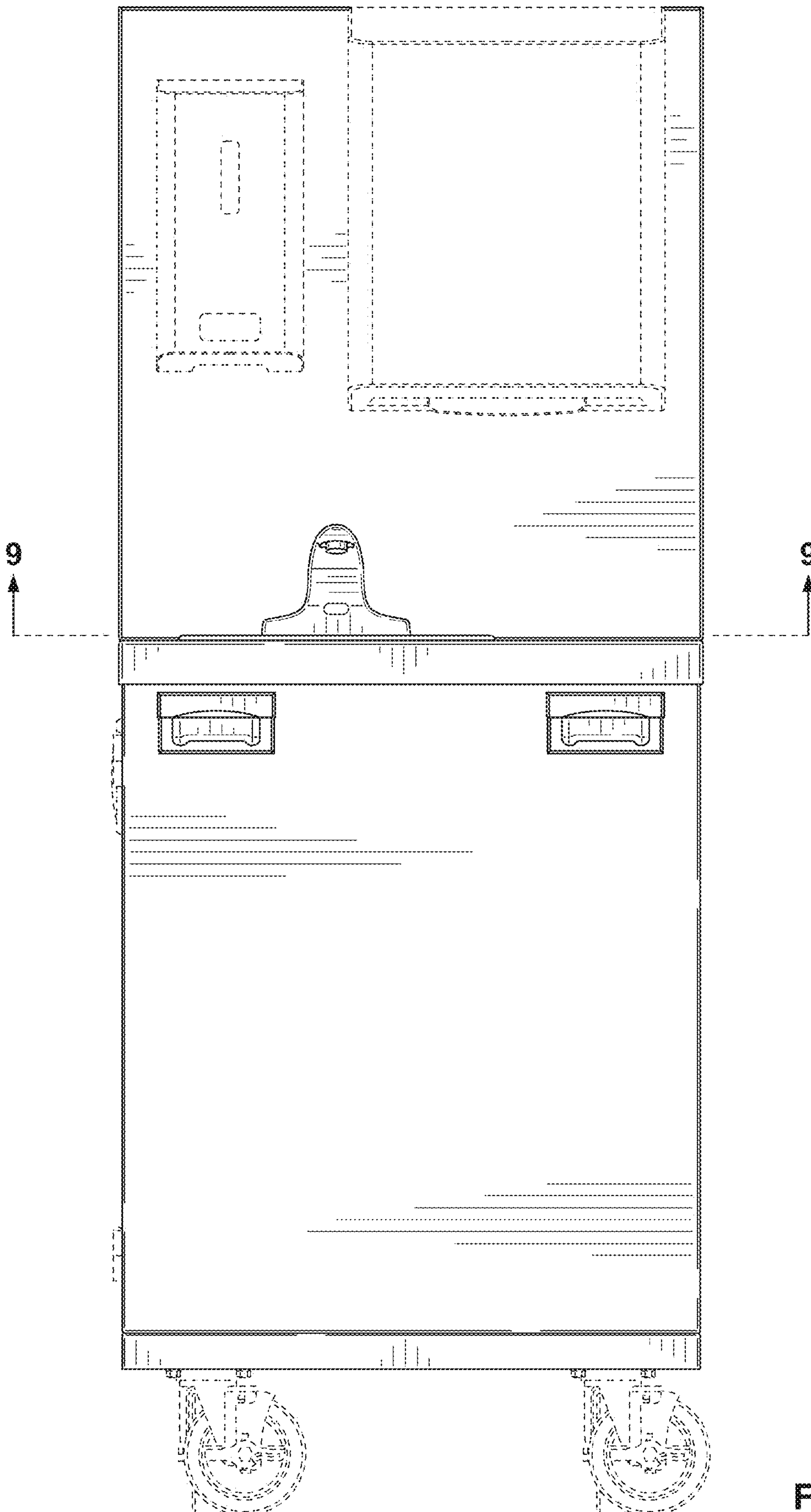


FIG. 3

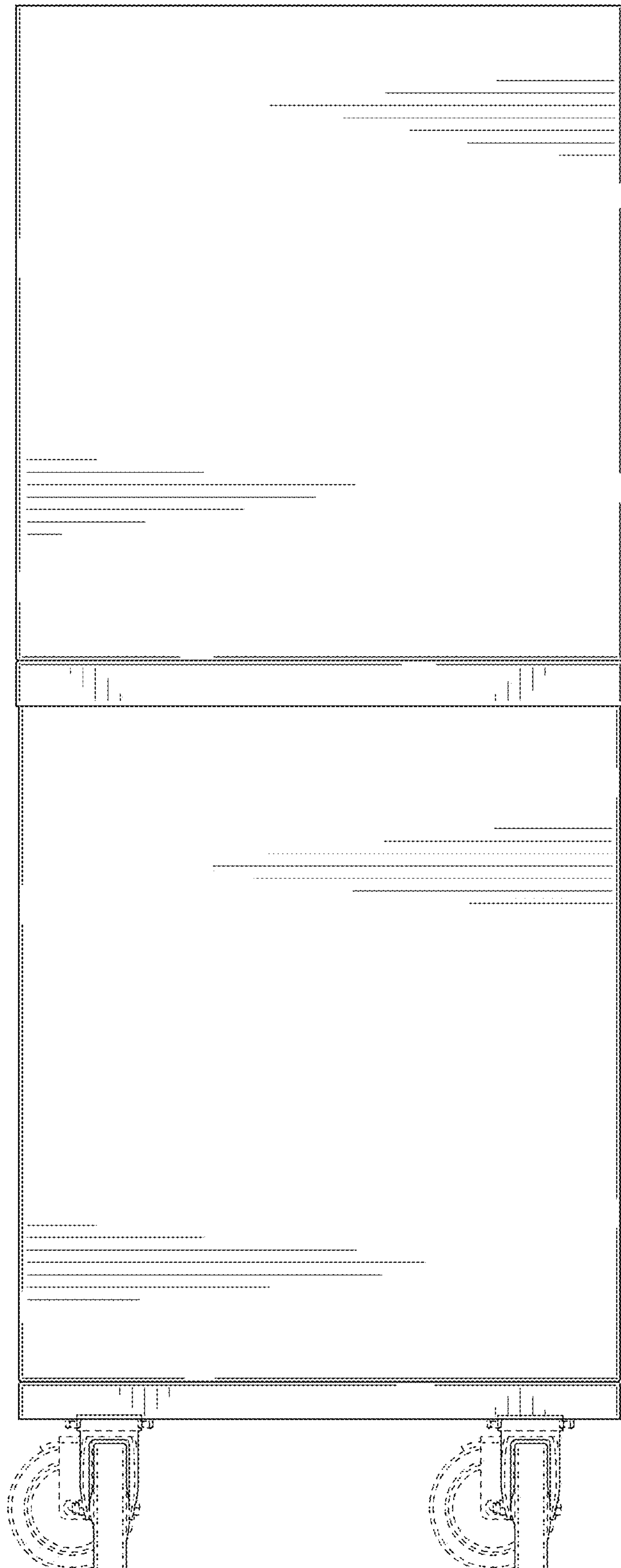


FIG. 4

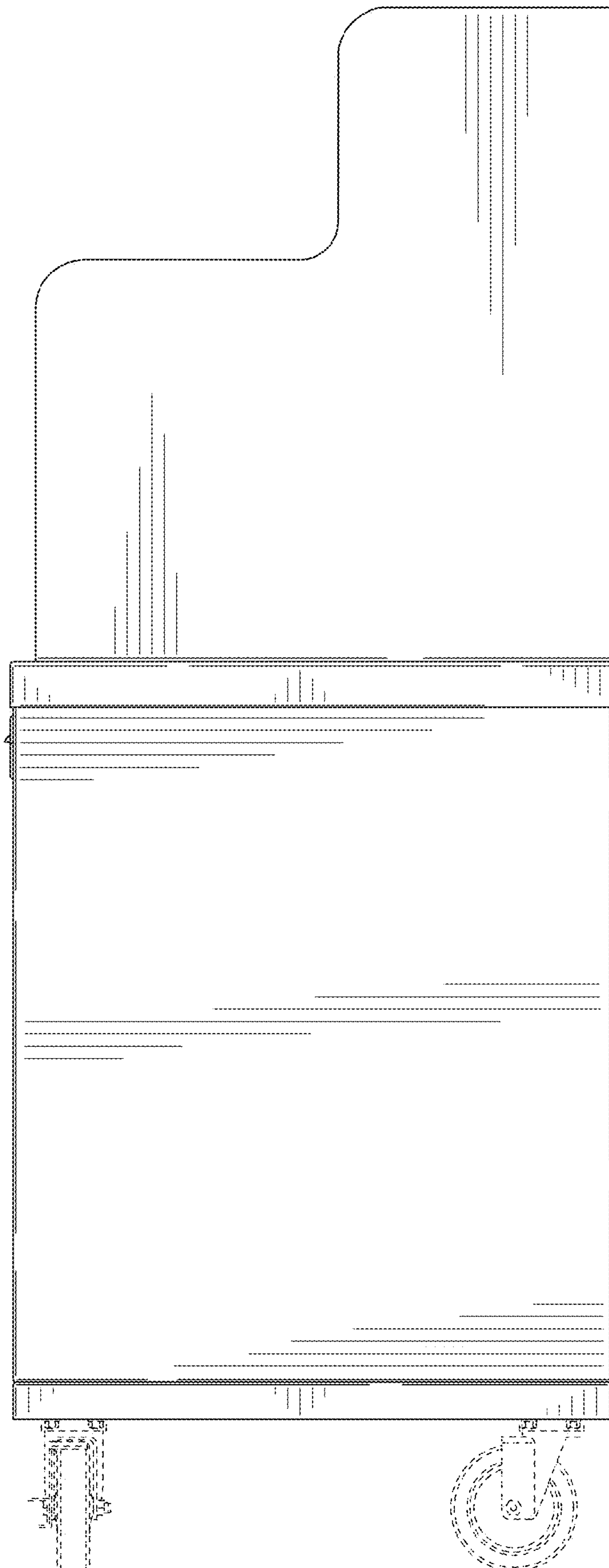


FIG. 5

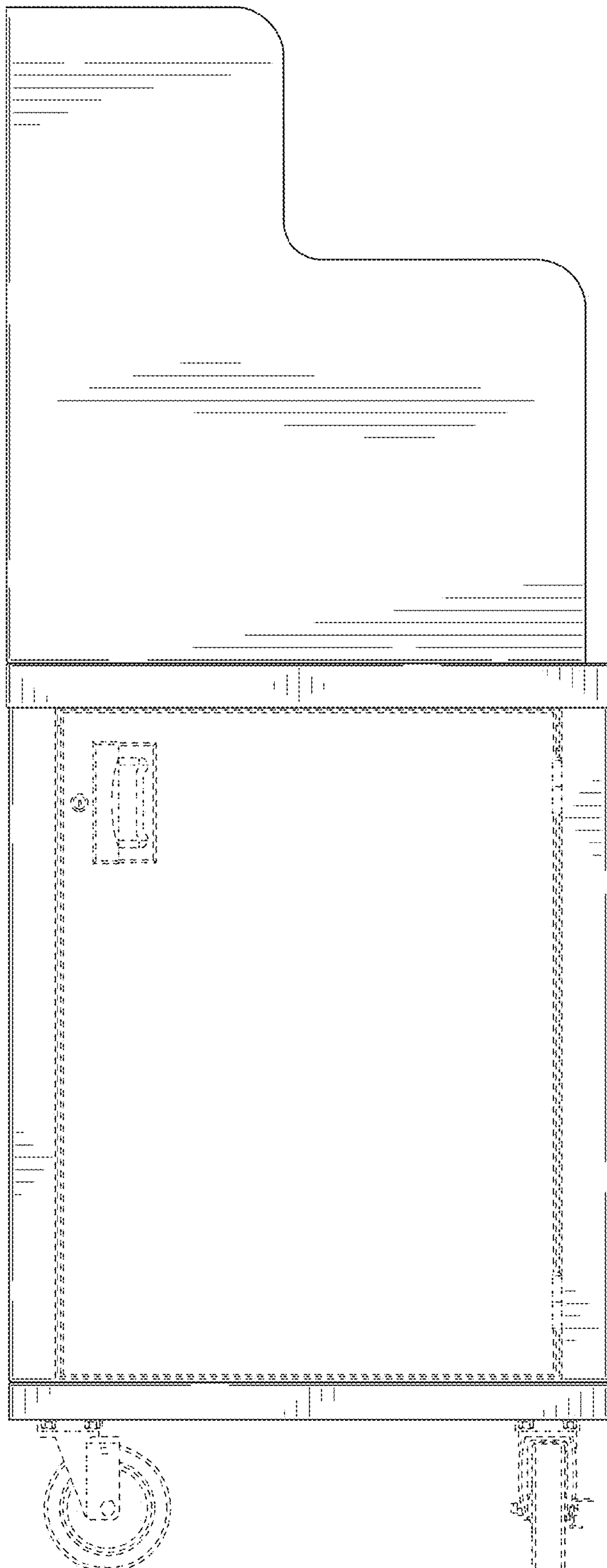


FIG. 6

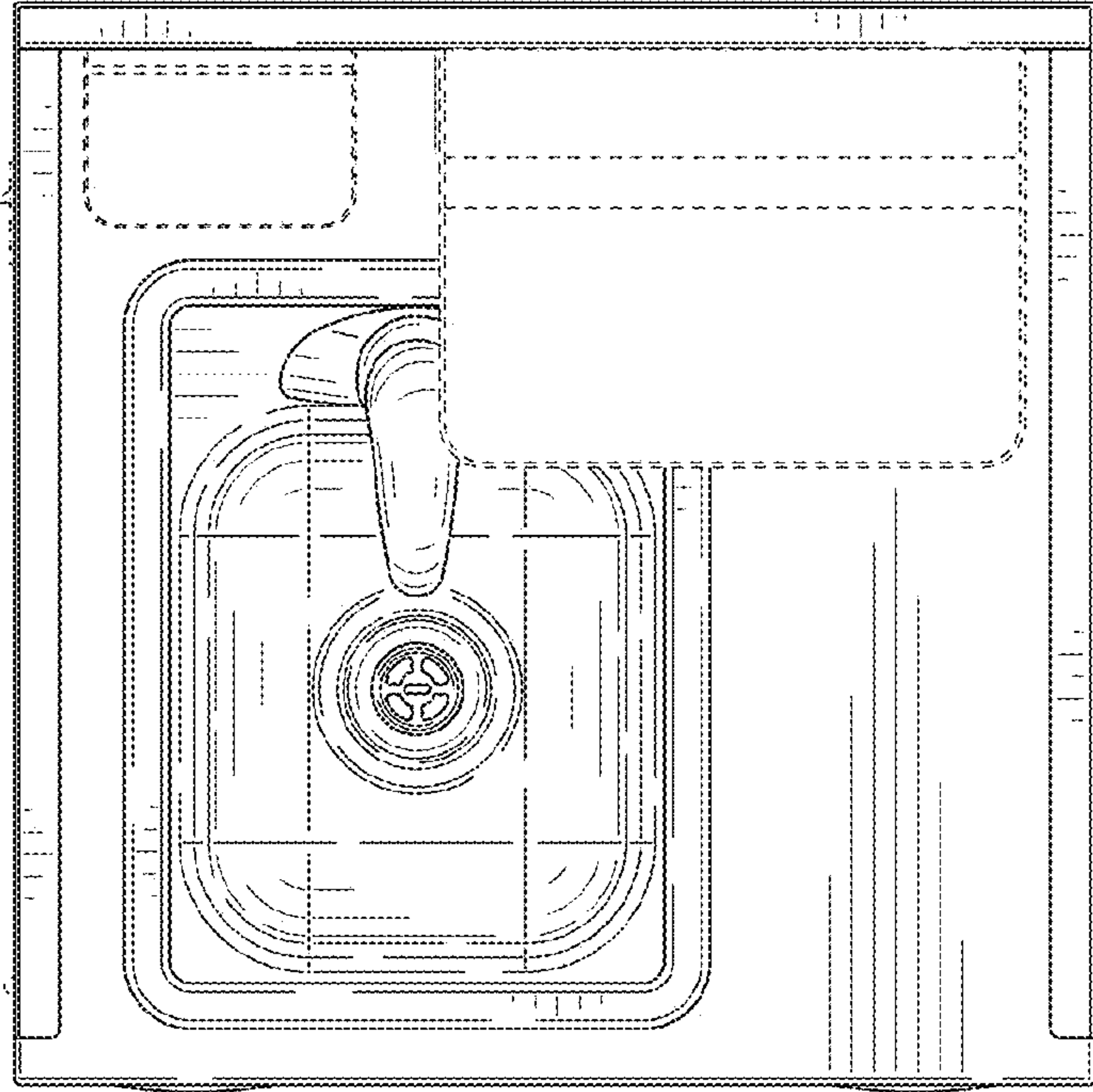


FIG. 7

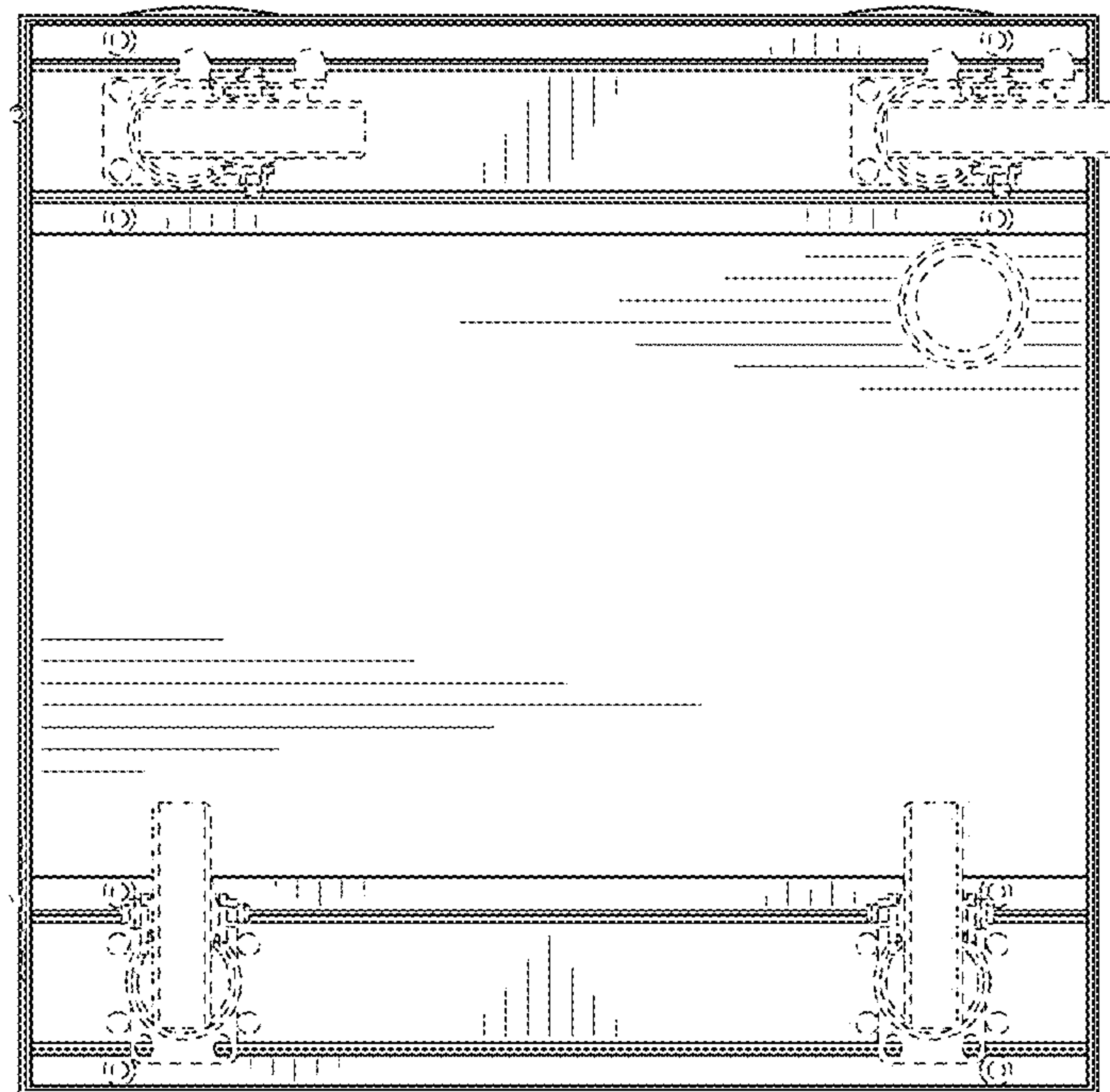


FIG. 8

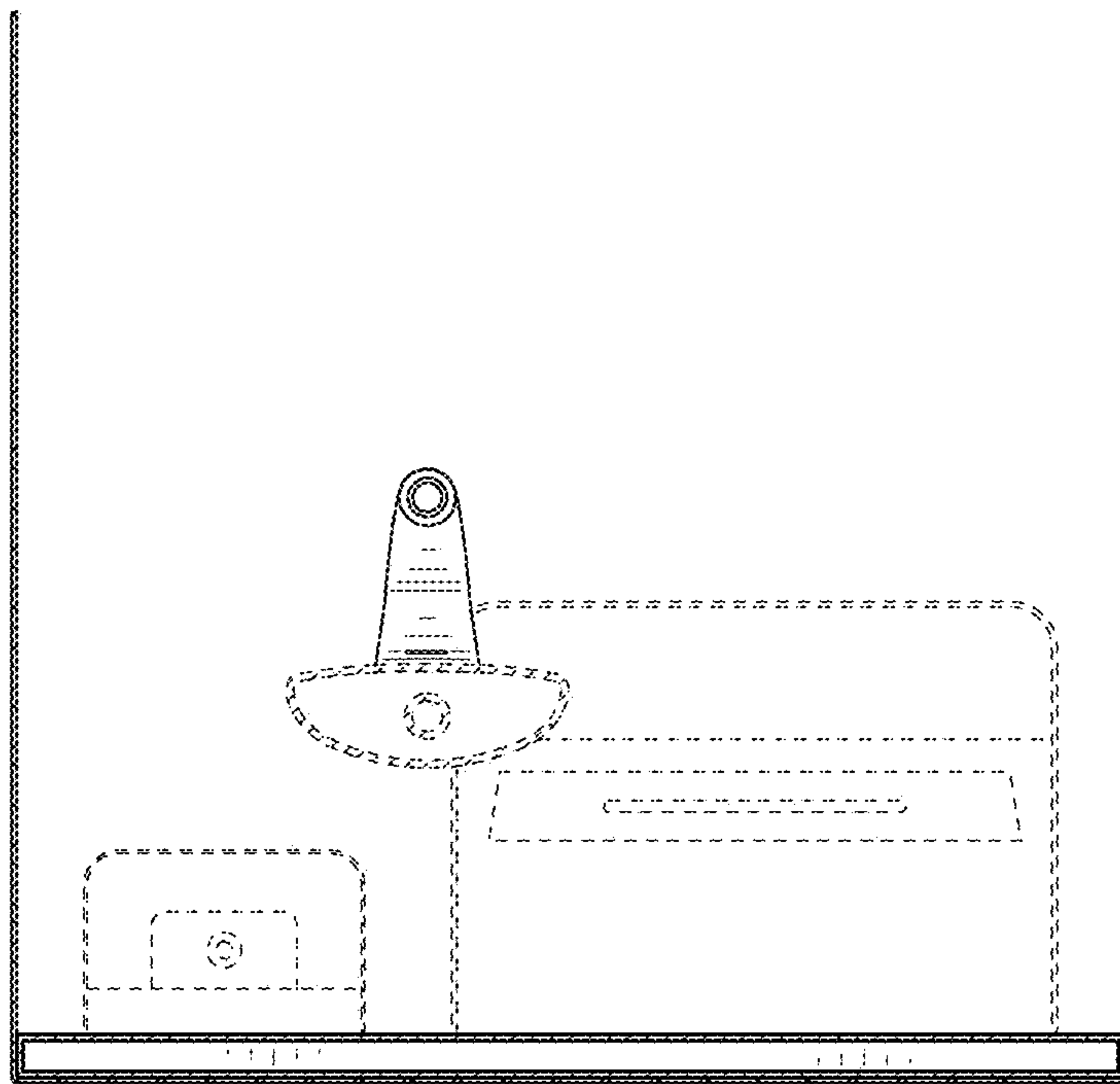


FIG. 9

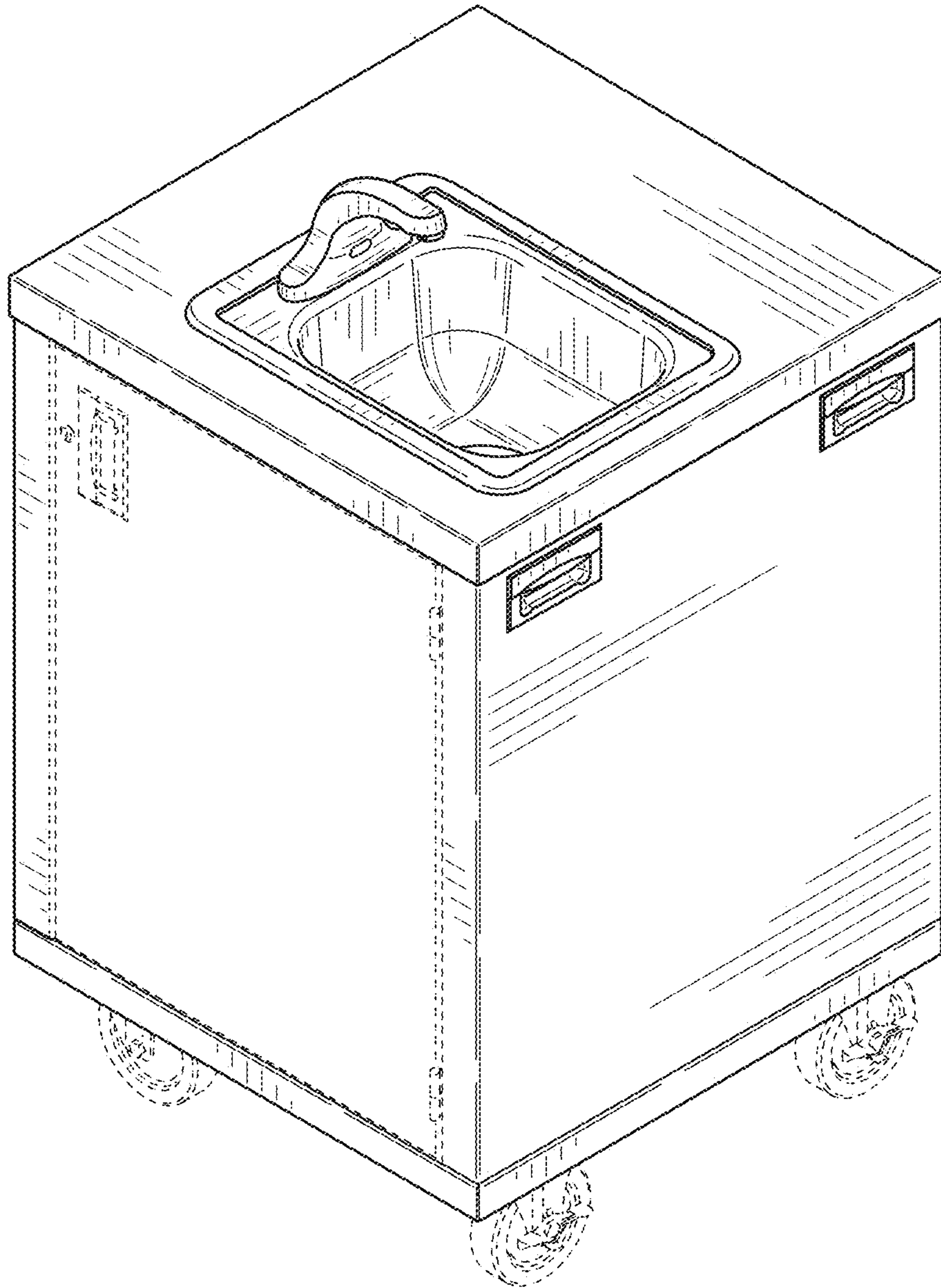


FIG. 10

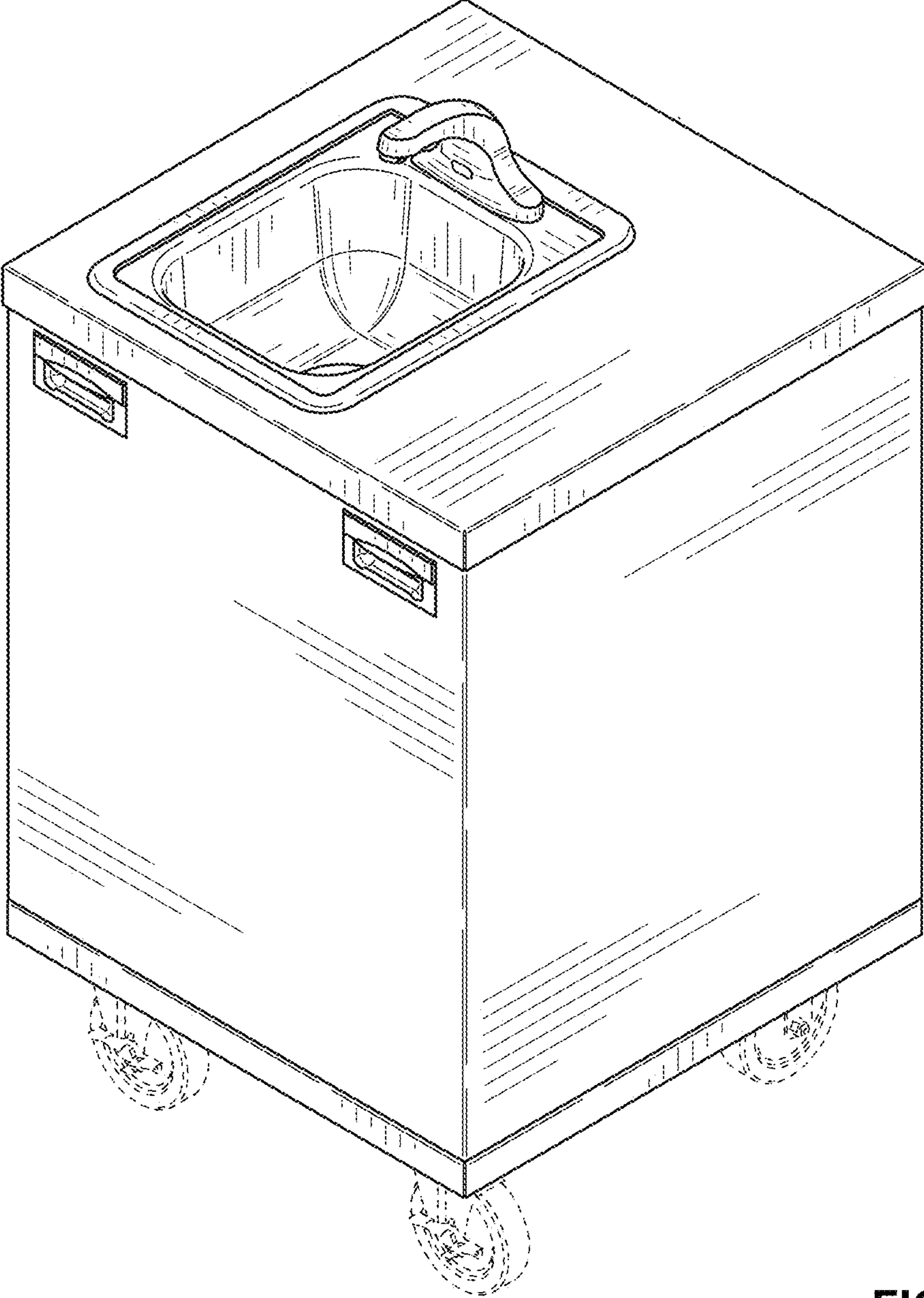


FIG. 11

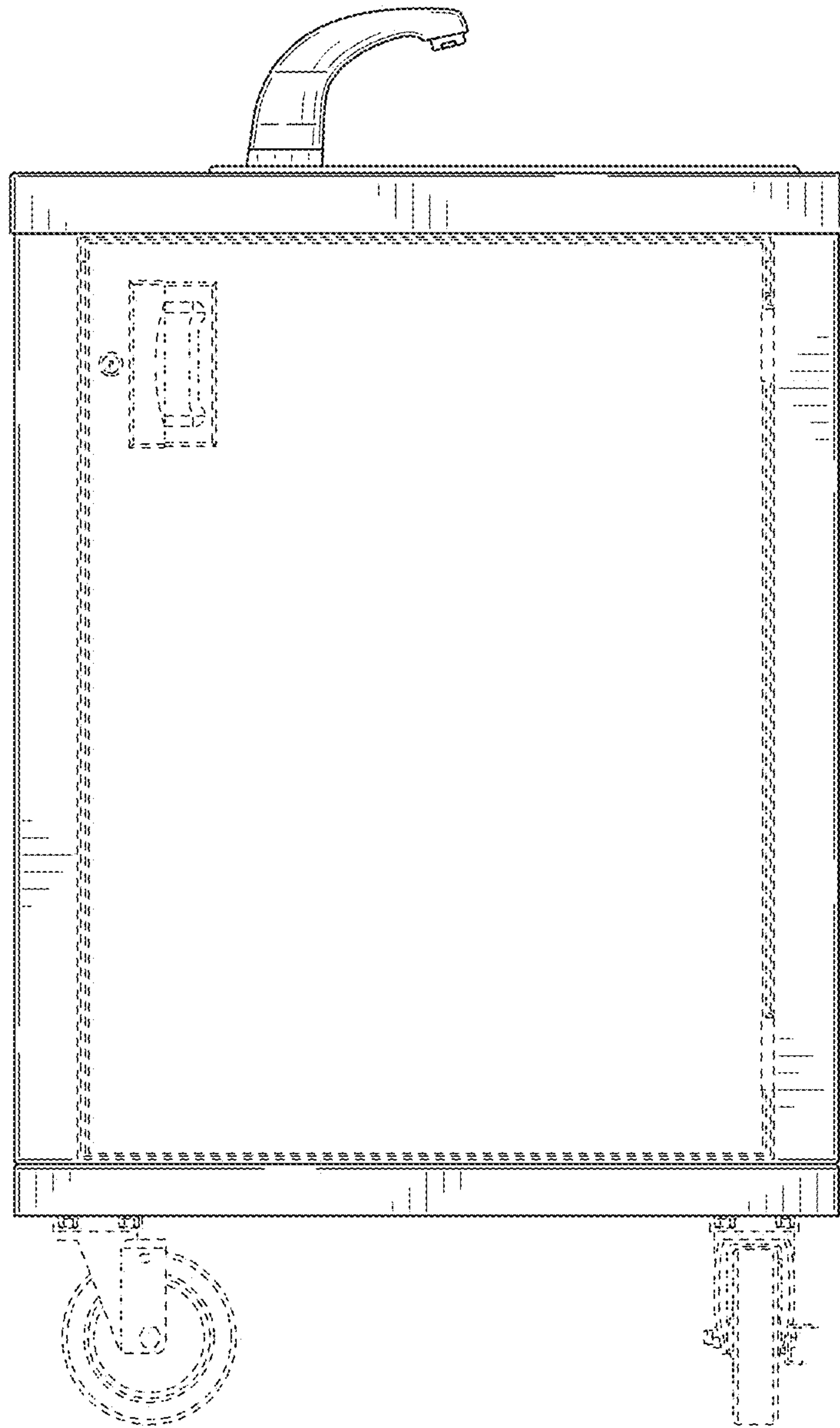


FIG. 12



FIG. 13

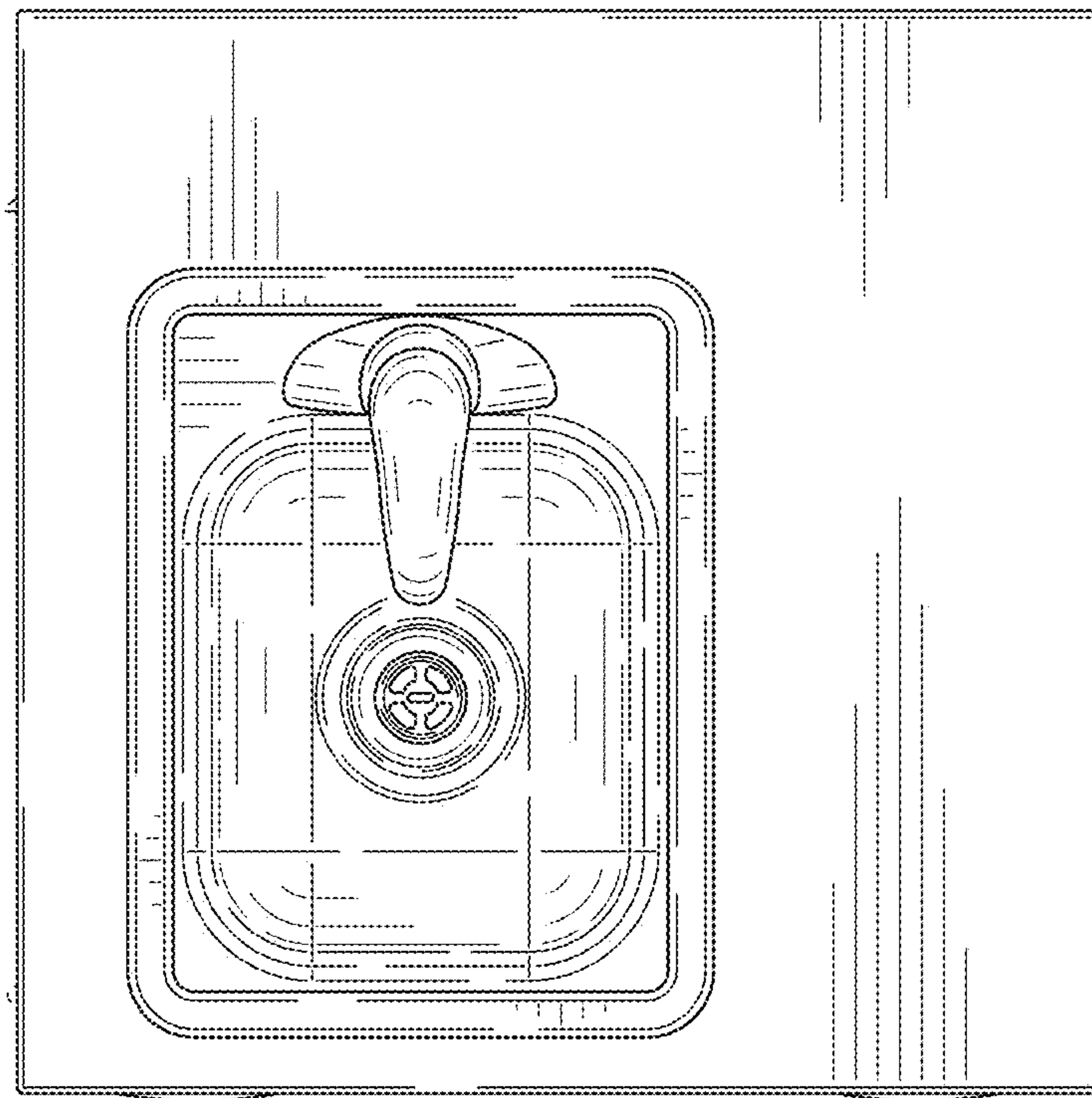


FIG. 14