



US00D957592S

(12) **United States Design Patent** (10) **Patent No.:** **US D957,592 S**  
**Downie et al.** (45) **Date of Patent:** **\*\* Jul. 12, 2022**

(54) **VALVE FOR MAGNETIC FILTER**  
(71) Applicant: **Adey Holdings (2008) Limited**,  
Cheltenham (GB)  
(72) Inventors: **Simon Downie**, Cheltenham (GB);  
**Kelvin Leung**, Cheltenham (GB)  
(73) Assignee: **ADEY HOLDINGS (2008) LIMITED**,  
Cheltenham (GB)

D478,650 S \* 8/2003 Lai ..... D23/233  
D486,204 S \* 2/2004 Tripp ..... D23/245  
D724,181 S \* 3/2015 Condon ..... D23/233  
D793,523 S \* 8/2017 Adey ..... B01D 21/0009  
D23/209  
D796,000 S \* 8/2017 Downie ..... D23/209  
D796,010 S \* 8/2017 Downie ..... D23/263  
D796,633 S \* 9/2017 Adey ..... B04C 3/06  
D23/233  
D802,721 S \* 11/2017 Downie ..... D23/245  
D803,985 S \* 11/2017 Yung ..... D23/233  
9,897,216 B1 \* 2/2018 Kuo ..... F16K 5/0689

(\*\*) Term: **15 Years**

(Continued)

(21) Appl. No.: **29/697,776**

**OTHER PUBLICATIONS**

(22) Filed: **Jul. 11, 2019**

How to Service an Adey Pro2 MagnaClean ft. GasApp; YouTube video Frames 7:09-7:44/10:43; Publish Date Oct. 4, 2017; Visited Online Nov. 3, 2021; [https://www.youtube.com/watch?v=-ea\\_g-oBB3w](https://www.youtube.com/watch?v=-ea_g-oBB3w) (Year: 2017).\*

(30) **Foreign Application Priority Data**

Jan. 11, 2019 (GB) ..... 6051835

(51) **LOC (13) Cl.** ..... **23-01**

(52) **U.S. Cl.**  
USPC ..... **D23/263**; D23/262; D23/233

(58) **Field of Classification Search**  
USPC ..... D23/200, 206-209, 233-237, 259,  
D23/322-323, 213, 230-232, 245, 365,  
D23/262-263, 266, 268, 231-232, 265;  
210/222-223; 209/39; D13/147;  
138/26, 30; 285/9.1, 129.1, 133.11,  
285/207.5, 208, 210, 213  
CPC ... F28F 23/02; F28F 2250/08; F16L 2201/30;  
F16L 25/00; F16L 55/04; F16K 51/36;  
F16K 1/42; F16K 7/17; B01D 27/08;  
B01D 24/10; B01D 33/50; B05B 1/18;  
C02F 1/003; E03C 1/02

See application file for complete search history.

(56) **References Cited**

**U.S. PATENT DOCUMENTS**

D412,561 S \* 8/1999 Voo ..... D23/245  
D430,272 S \* 8/2000 Hung-Lin ..... D23/233

*Primary Examiner* — Amy C Wierenga  
(74) *Attorney, Agent, or Firm* — Jacob M. Ward; Ward Law Office LLC

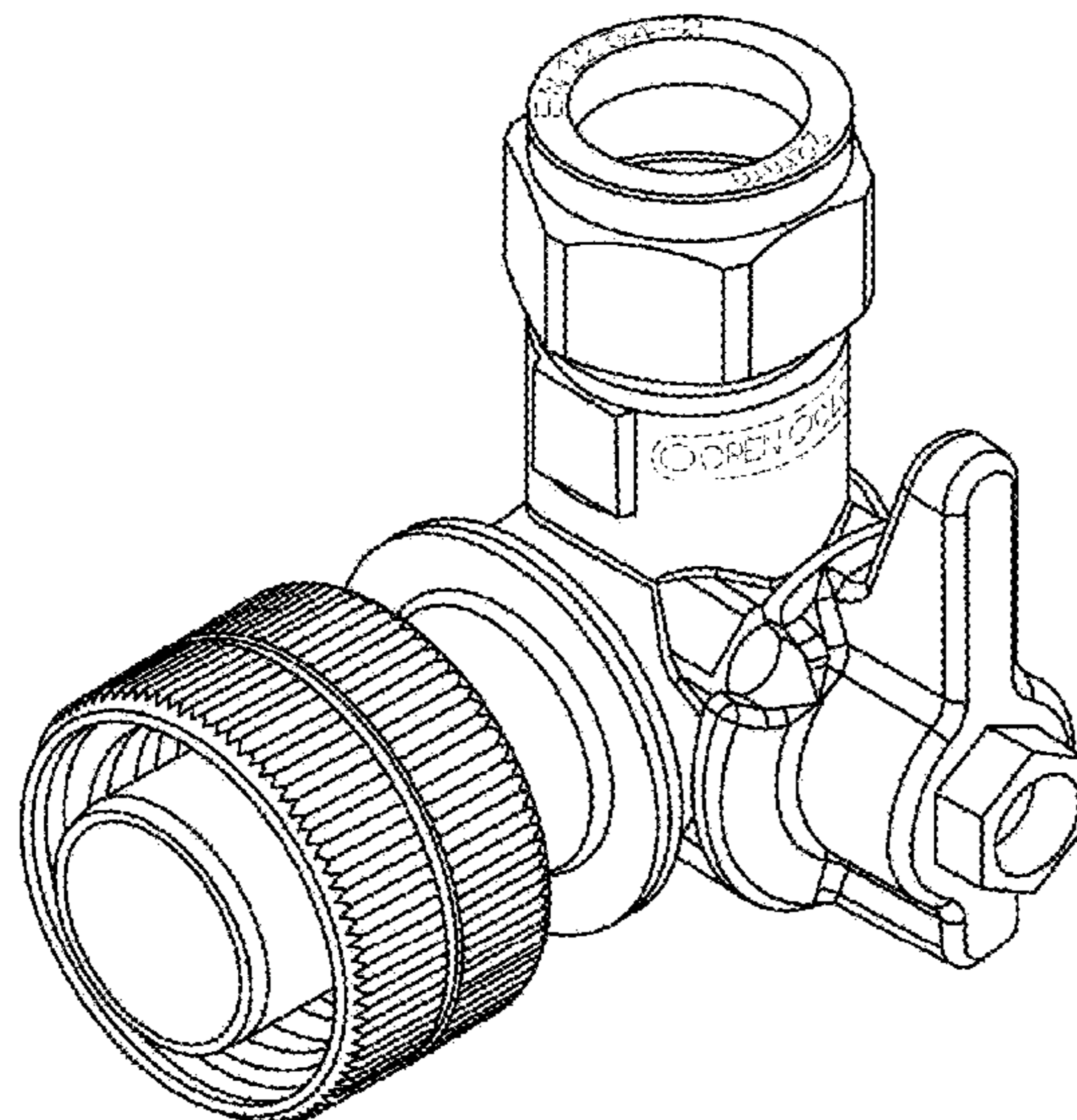
(57) **CLAIM**

The ornamental design for a valve for magnetic filter, as shown and described.

**DESCRIPTION**

FIG. 1 is a top perspective view of a valve for magnetic filter;  
FIG. 2 is a right side elevational view of the valve for magnetic filter shown in FIG. 1;  
FIG. 3 is a rear elevational view thereof;  
FIG. 4 is a left side elevational view thereof;  
FIG. 5 is a front elevational view thereof;  
FIG. 6 is a top plan view thereof; and,  
FIG. 7 is a bottom plan view thereof.  
The dashed broken lines depict portions of the valve for magnetic filter that form no part of the claim.

**1 Claim, 4 Drawing Sheets**



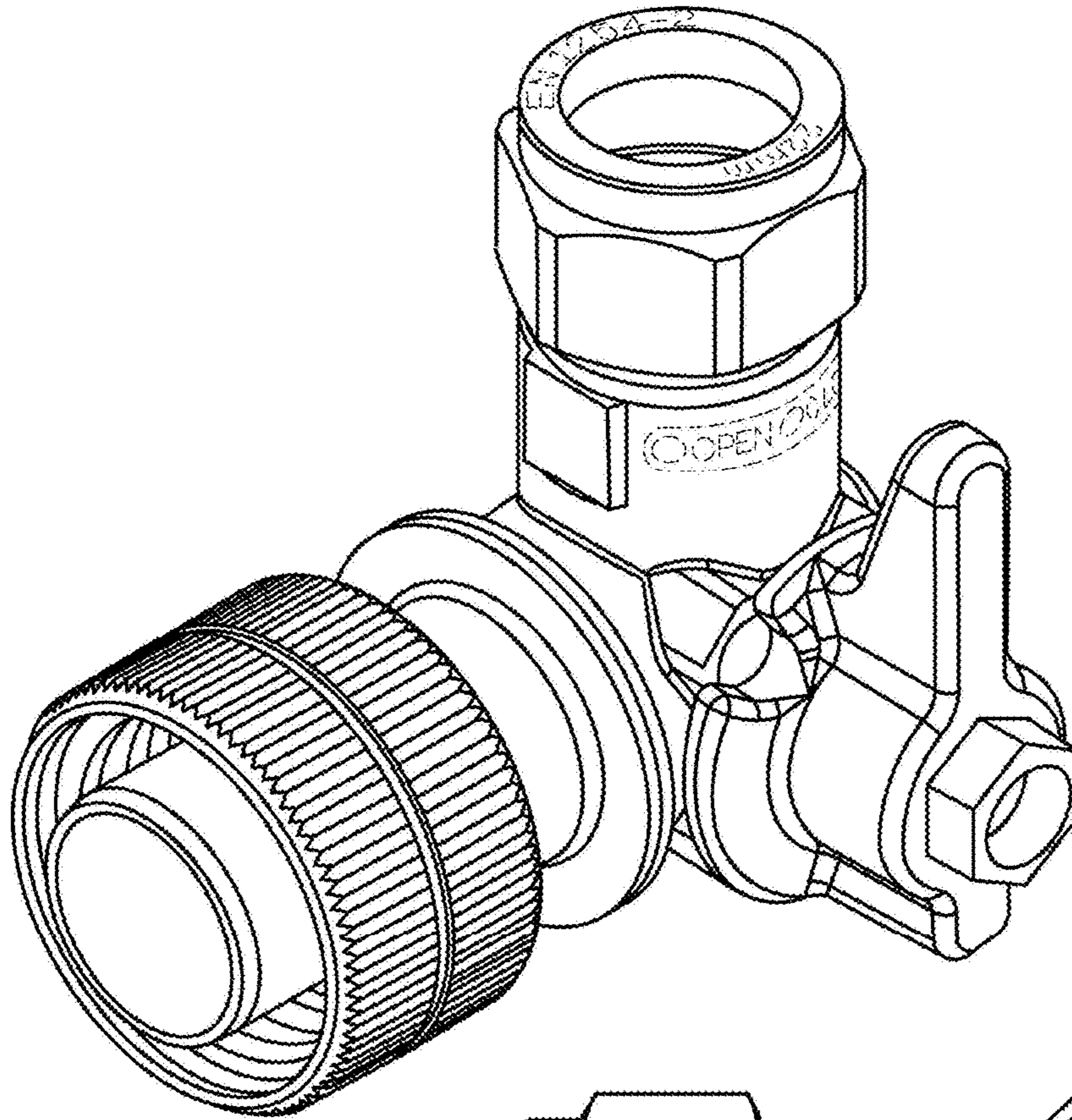
(56)

**References Cited**

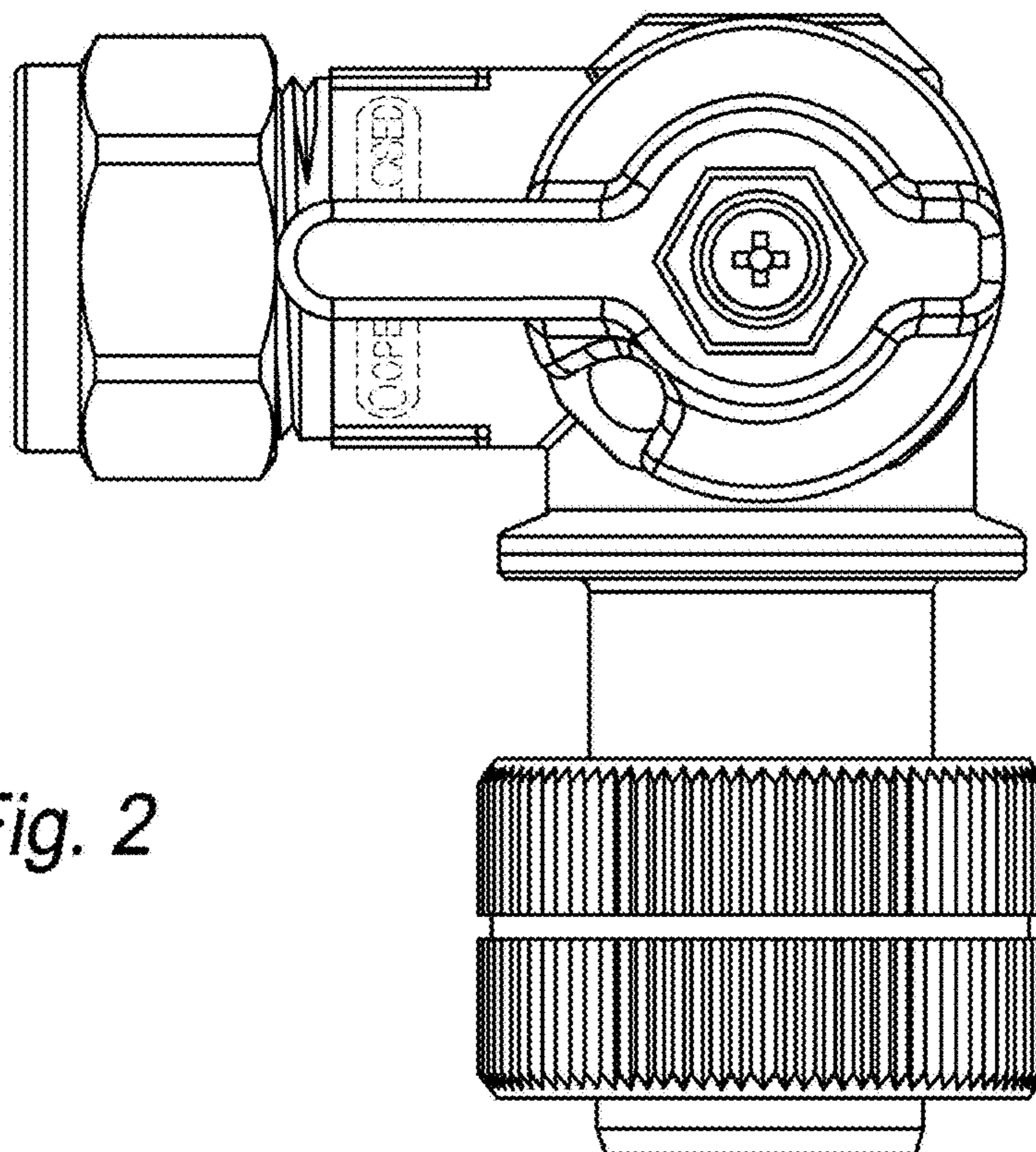
U.S. PATENT DOCUMENTS

D834,150 S \* 11/2018 Yung ..... D23/245  
2017/0043354 A1 \* 2/2017 Adey ..... B01D 21/2483

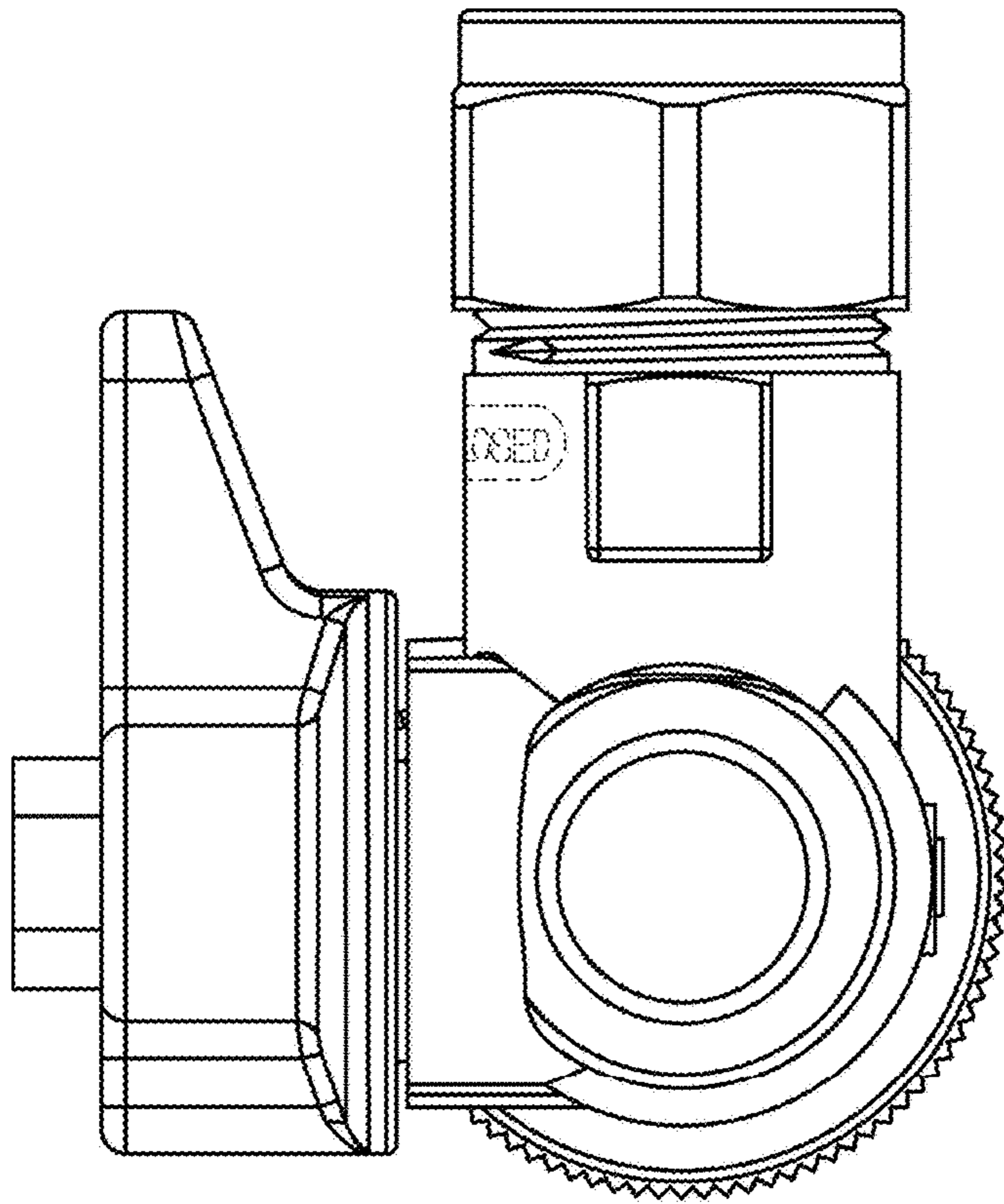
\* cited by examiner



*Fig. 1*

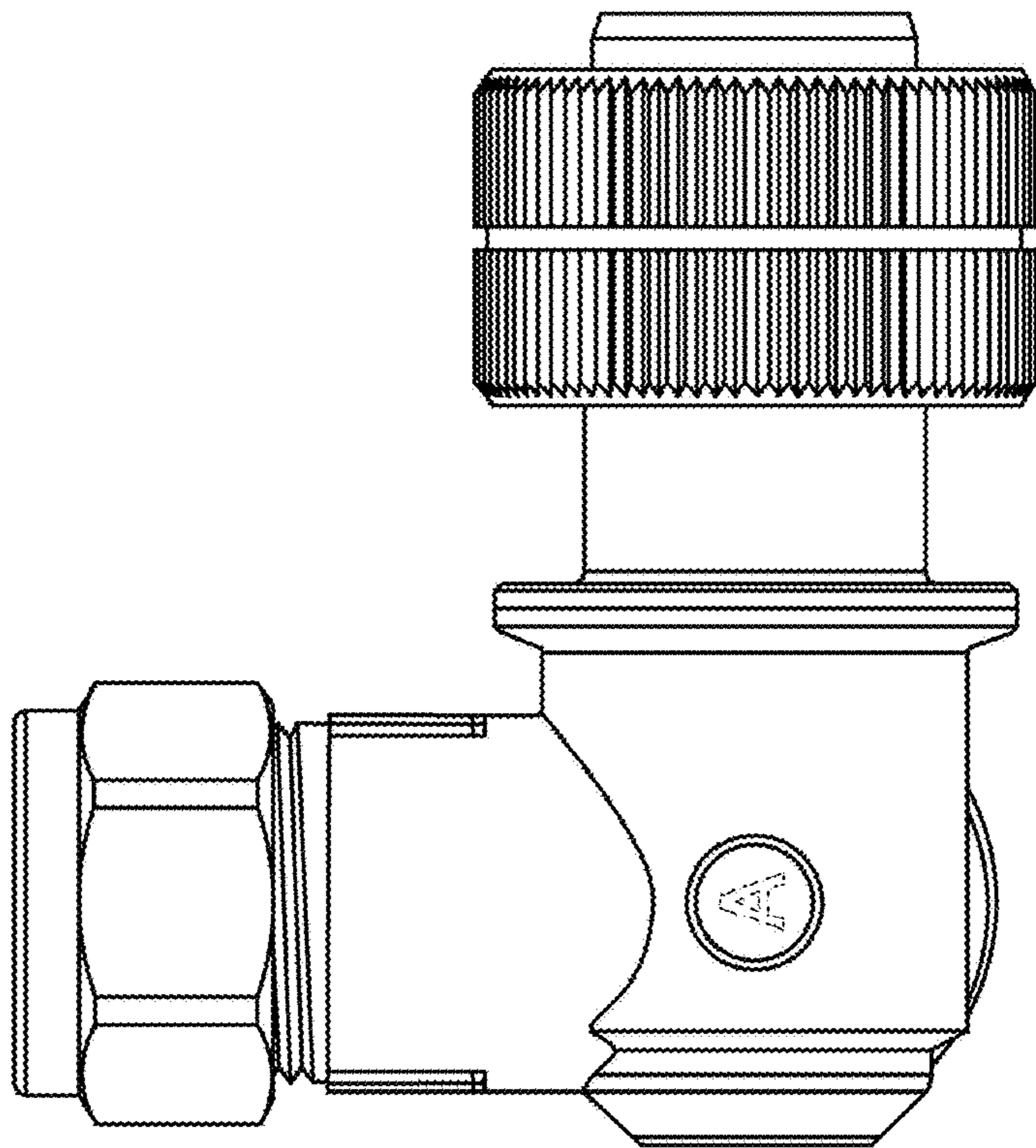


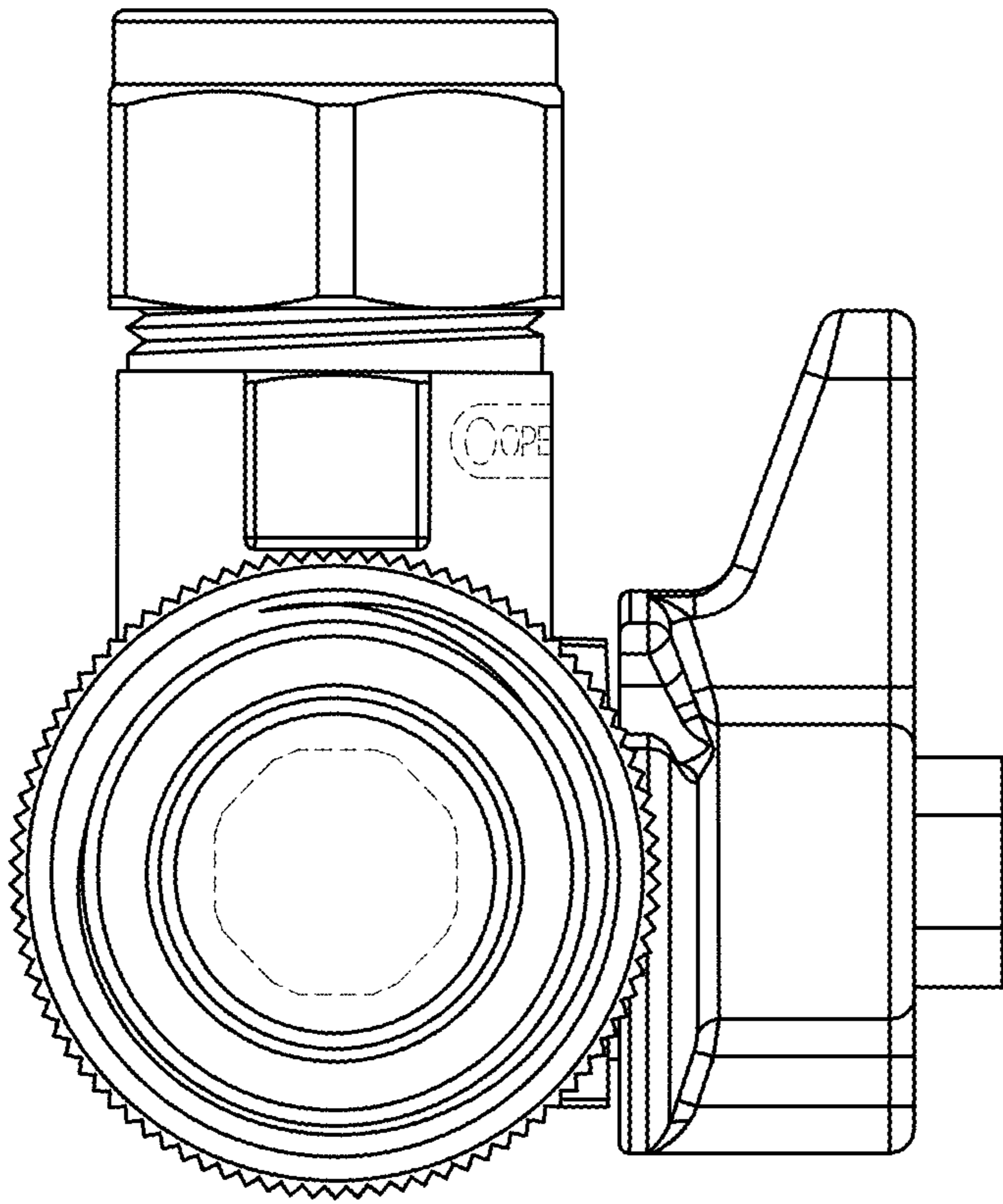
*Fig. 2*



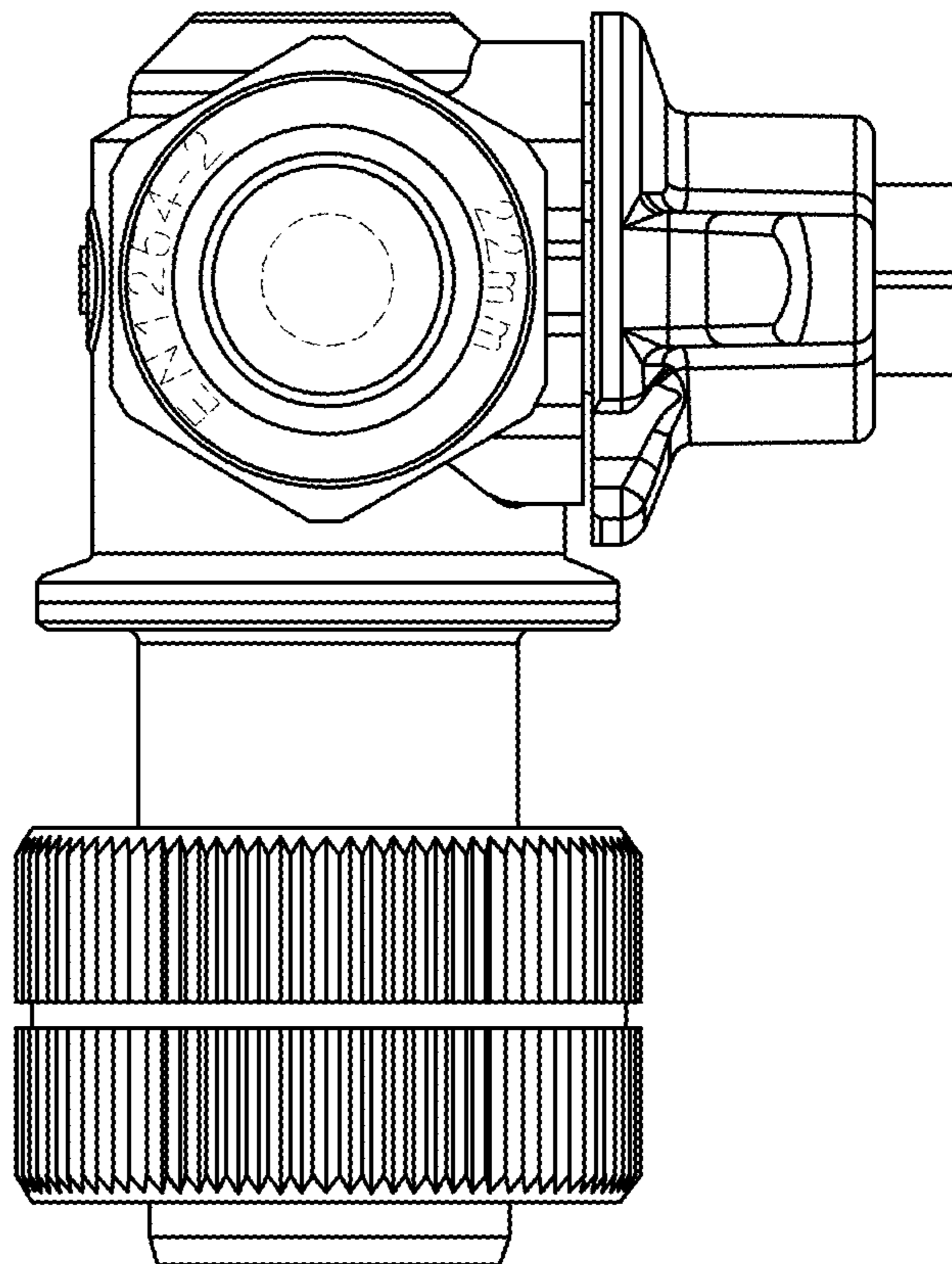
*Fig. 3*

*Fig. 4*





*Fig. 5*



*Fig. 6*

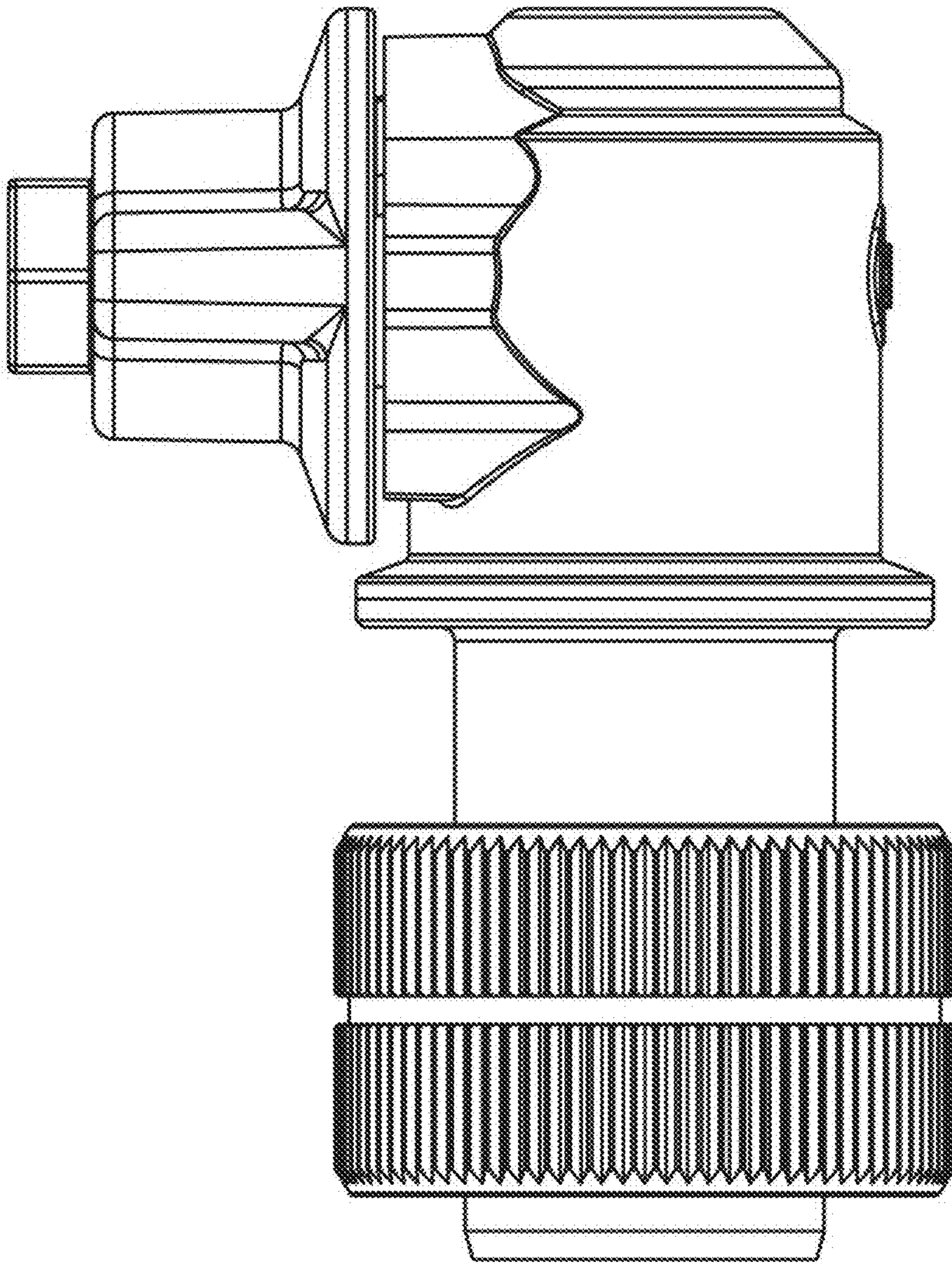


FIG. 7