



US00D957591S

(12) **United States Design Patent** (10) **Patent No.:** **US D957,591 S**  
**Yao** (45) **Date of Patent:** **\*\* Jul. 12, 2022**

(54) **GREASE COUPLER**

(71) Applicant: **Boping Yao, Zhuji (CN)**

(72) Inventor: **Boping Yao, Zhuji (CN)**

(\*\*) Term: **15 Years**

(21) Appl. No.: **29/811,181**

(22) Filed: **Oct. 12, 2021**

(51) **LOC (13) Cl.** ..... **23-01**

(52) **U.S. Cl.**  
USPC ..... **D23/262**

(58) **Field of Classification Search**

USPC ..... D23/231, 233, 259, 262, 265; D8/14.1,  
D8/14.4, 382, 396; D24/108, 110.6,  
D24/111-112, 129

CPC ..... F16N 5/02; E16N 2270/60

See application file for complete search history.

(56) **References Cited**

**U.S. PATENT DOCUMENTS**

D702,810	S *	4/2014	Stednitz	.....	D23/213
10,041,616	B2 *	8/2018	Danielson	.....	F16L 37/0847
D854,665	S *	7/2019	Simon	.....	D23/262
D882,044	S	4/2020	Uccellani		
D917,677	S *	4/2021	Han	.....	D23/262
D917,678	S *	4/2021	Han	.....	D23/262
D943,714	S *	2/2022	Han	.....	D23/262
D944,947	S *	3/2022	Han	.....	D23/262
D950,688	S *	5/2022	Hung	.....	D23/262
2012/0267890	A1 *	10/2012	Gurney	.....	F16L 37/121 285/308
2018/0142837	A1 *	5/2018	Boren	.....	F16N 3/12
2018/0299065	A1 *	10/2018	Hung	.....	F16L 37/121
2019/0120413	A1 *	4/2019	Verma	.....	F16L 37/121
2020/0041055	A1 *	2/2020	Kuo	.....	F16L 37/121

**FOREIGN PATENT DOCUMENTS**

CN	207527277	*	6/2018
EM	005319050-00001	*	6/2018

**OTHER PUBLICATIONS**

5 Best Grease Gun Coupler in 2020; YouTube Video Frame: 2:39+/6:15; Publish Date Nov. 14, 2020; Visited Online May 25, 2022; [https://www.youtube.com/watch?v=\\_pj8MLdKzWw](https://www.youtube.com/watch?v=_pj8MLdKzWw) (Year: 2020).\*

MLfire Grease Tool Coupler 1000 PSI Quick Lock & Release; Walmart Website Copyright Date 2022; Visited Online May 25, 2022; <https://www.walmart.com/ip/MLfire-Grease-Tool-Coupler-10000-PSI-Quick-Lock-Release-Leak-Free-Tip-11-8-Hose-Stainless-Steel-1-8-NPT-Fittings-Standard-Mini/939989820?athbdg=L1700> (Year: 2022).\*

Wintools; [https://www.amazon.com/dp/BO7KVSX4R9/ref=sspa\\_dk\\_detail\\_1?psc=1&pd\\_rd\\_i=BO7KVSX4R9&spLa=ZW5icnlwdGVkUXVhbGlmaWVyPUFaRKNYTIYZnKkKIKSEMmZW5jenlwdGVkKSWQ9QTAOMjE3MzilzSE9OSTNkVjVONURYJmVuY3J5cHRIZEFkSWQ9QTA2ZOTQWNtczSVRZVVO0tSVZVMRk1DjndpZGdidE5hbWU9c3BIZGV0YWludmFjdGlvdj1joGlja1JIZGIyZWN](https://www.amazon.com/dp/BO7KVSX4R9/ref=sspa_dk_detail_1?psc=1&pd_rd_i=BO7KVSX4R9&spLa=ZW5icnlwdGVkUXVhbGlmaWVyPUFaRKNYTIYZnKkKIKSEMmZW5jenlwdGVkKSWQ9QTAOMjE3MzilzSE9OSTNkVjVONURYJmVuY3J5cHRIZEFkSWQ9QTA2ZOTQWNtczSVRZVVO0tSVZVMRk1DjndpZGdidE5hbWU9c3BIZGV0YWludmFjdGlvdj1joGlja1JIZGIyZWN) (Year: 2018).\*

AlbaLUBE Quick Release Grease Coupler YouTube Video Frame 0:27/0:55; Published May 1, 2017; Visited Online Jan. 21, 2020; <https://www.youtube.com/watch?v=17Gim64aFsc> (Year: 2017) (Year: 2017).\*

\* cited by examiner

*Primary Examiner* — Amy C Wierenga

(74) *Attorney, Agent, or Firm* — Justin Lampel

(57) **CLAIM**

The ornamental design for a grease coupler, as shown and described.

**DESCRIPTION**

FIG. 1 is a perspective view of a grease coupler showing the claimed design;

FIG. 2 is a top plan view thereof;

FIG. 3 is a rear elevational view thereof;

FIG. 4 is a left side view thereof;

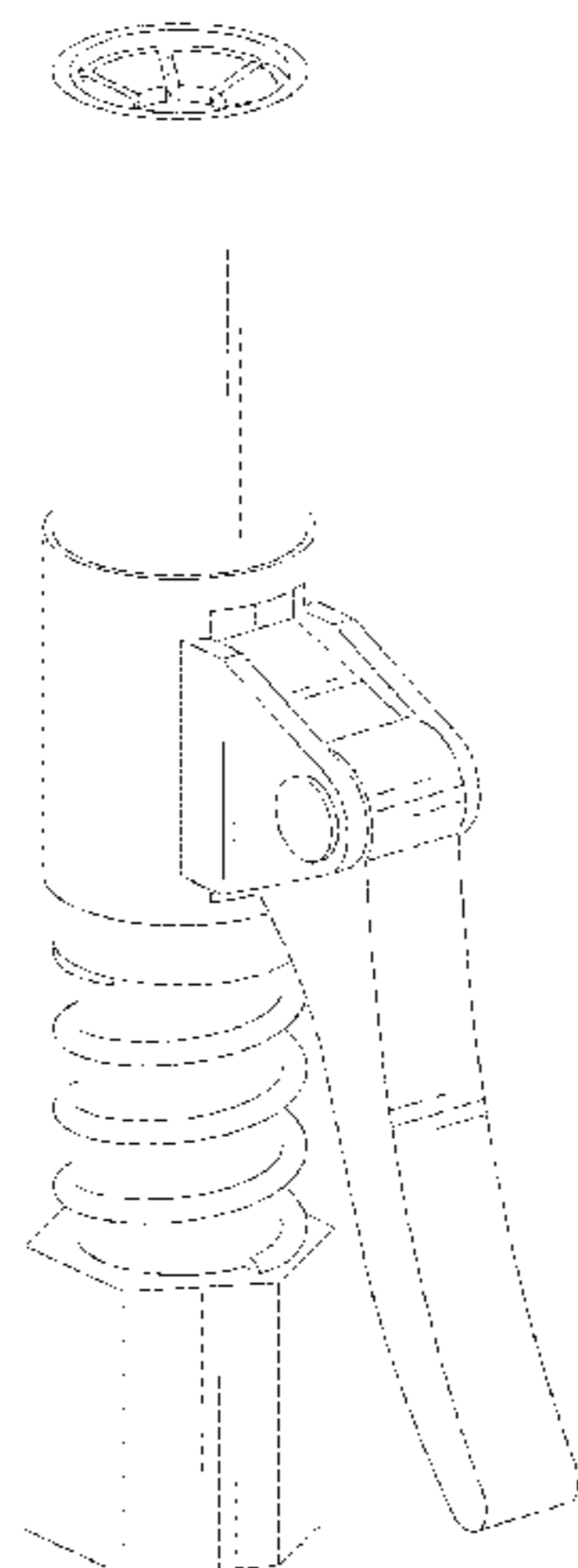
FIG. 5 is a front elevational view thereof;

FIG. 6 is a right side view thereof; and,

FIG. 7 is a bottom plan view thereof.

The broken lines depict portions of the grease coupler that form no part of the claimed design.

**1 Claim, 7 Drawing Sheets**



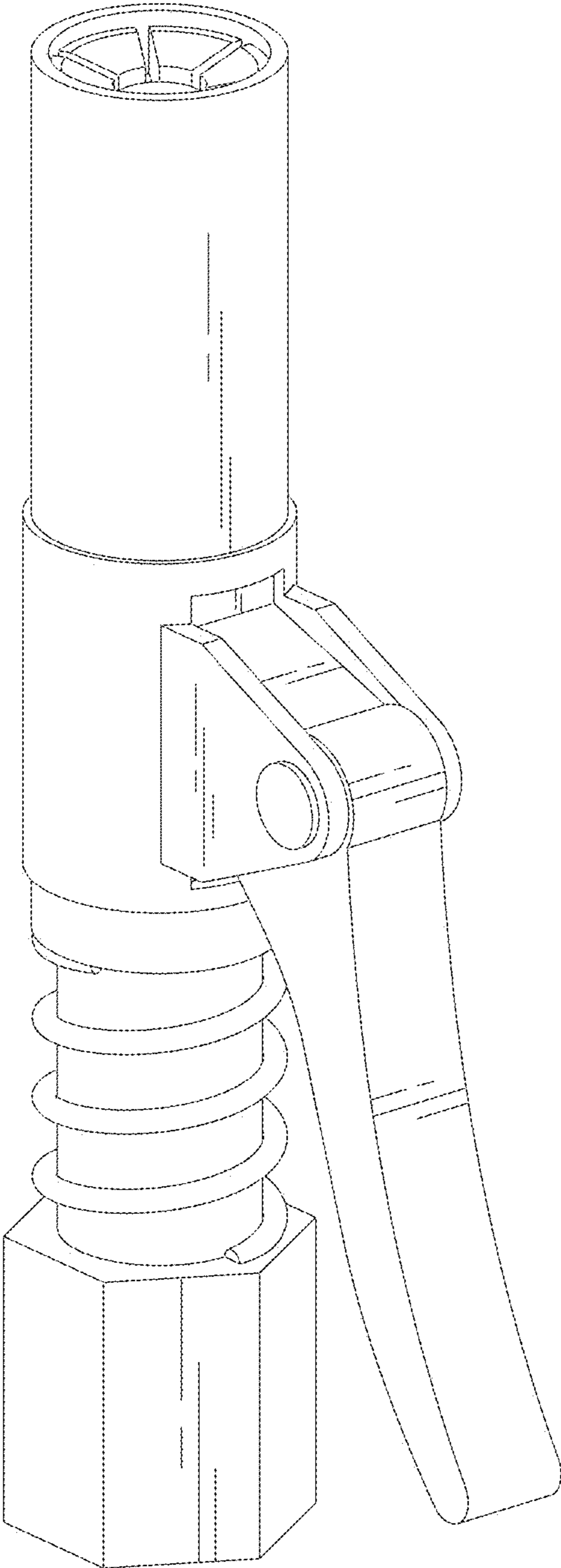


FIG.1

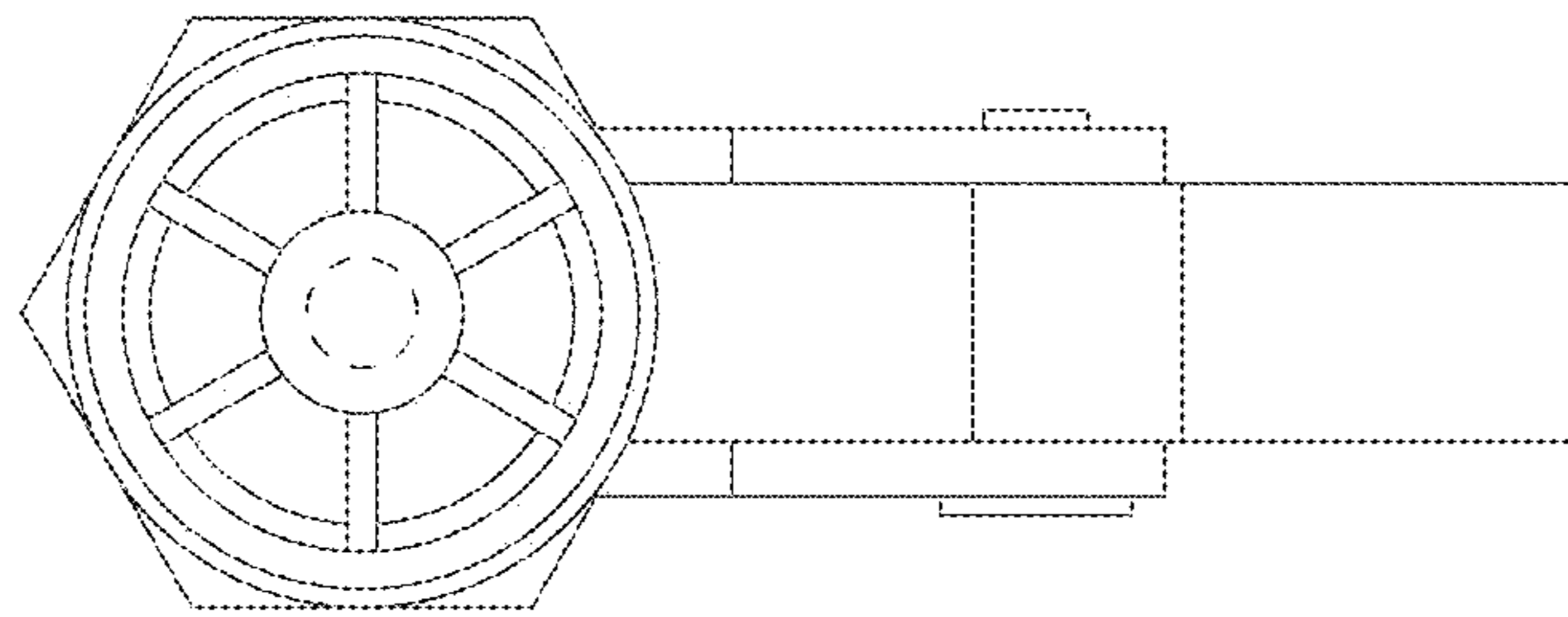


FIG.2

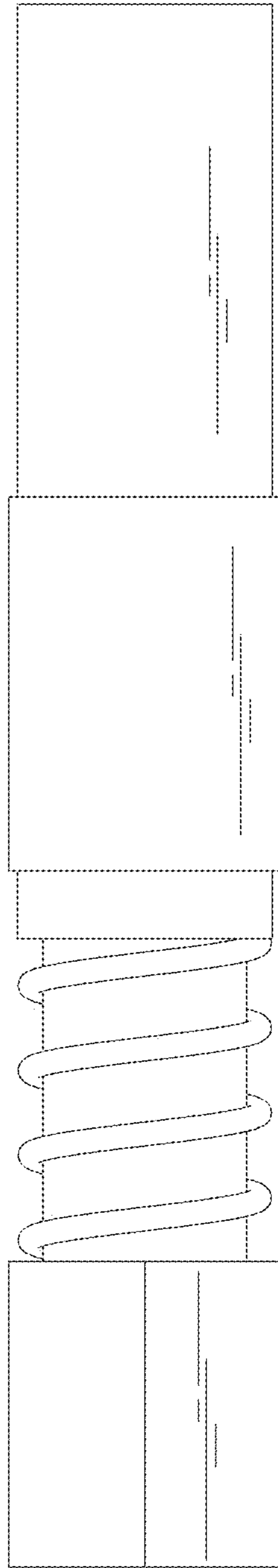


FIG.3

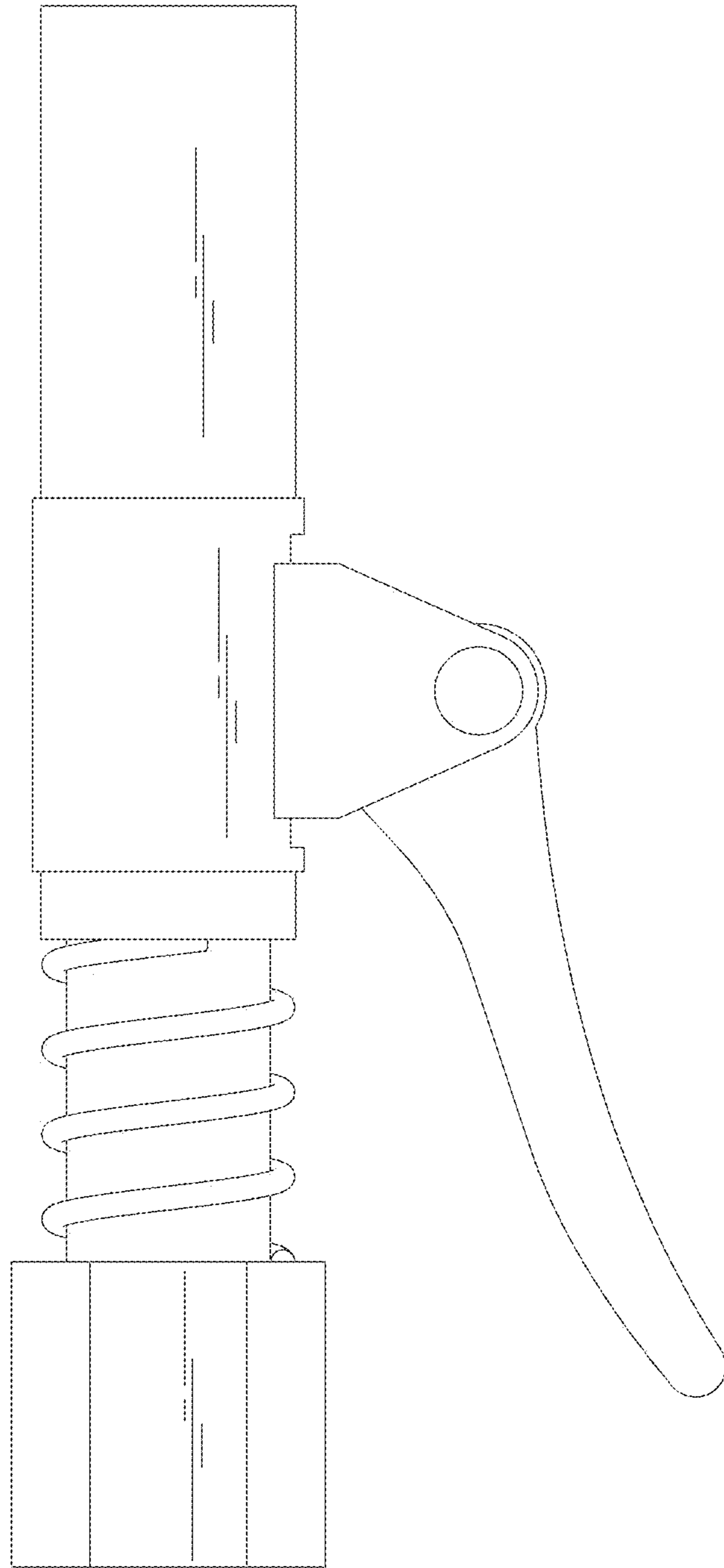


FIG.4

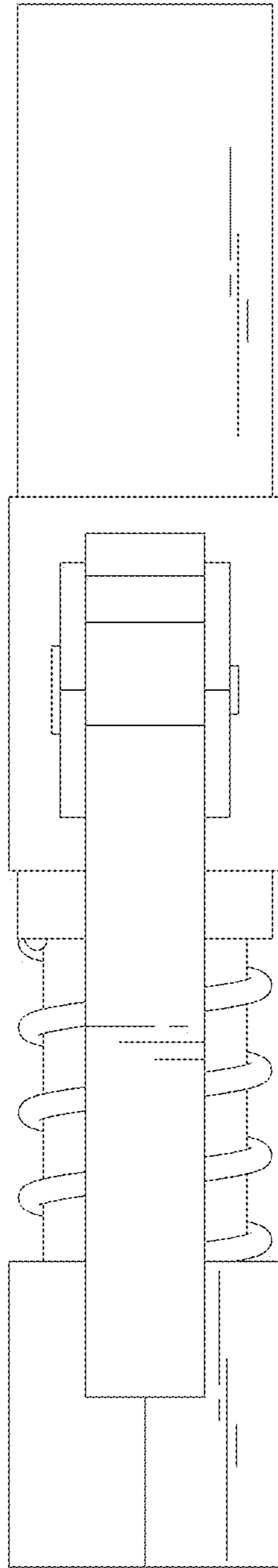


FIG.5

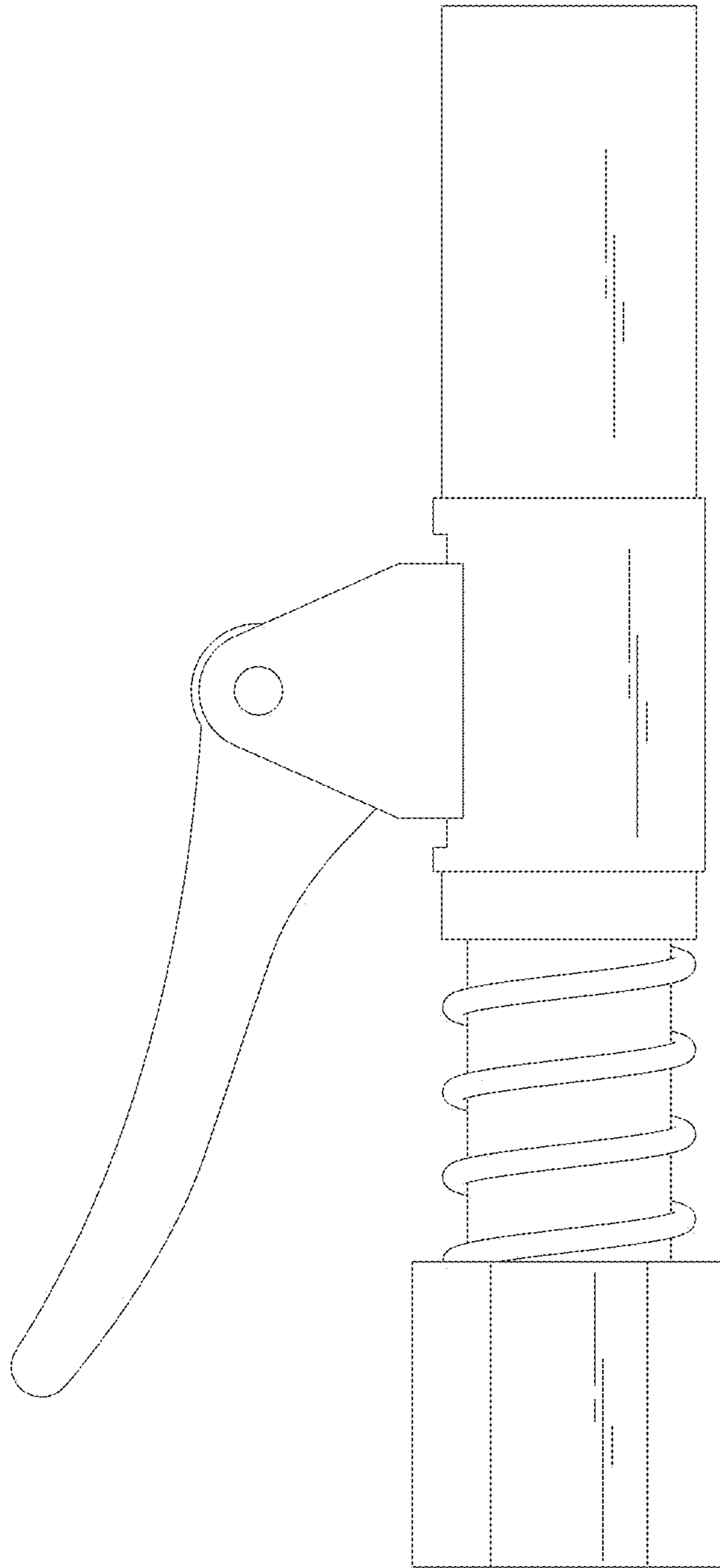


FIG.6

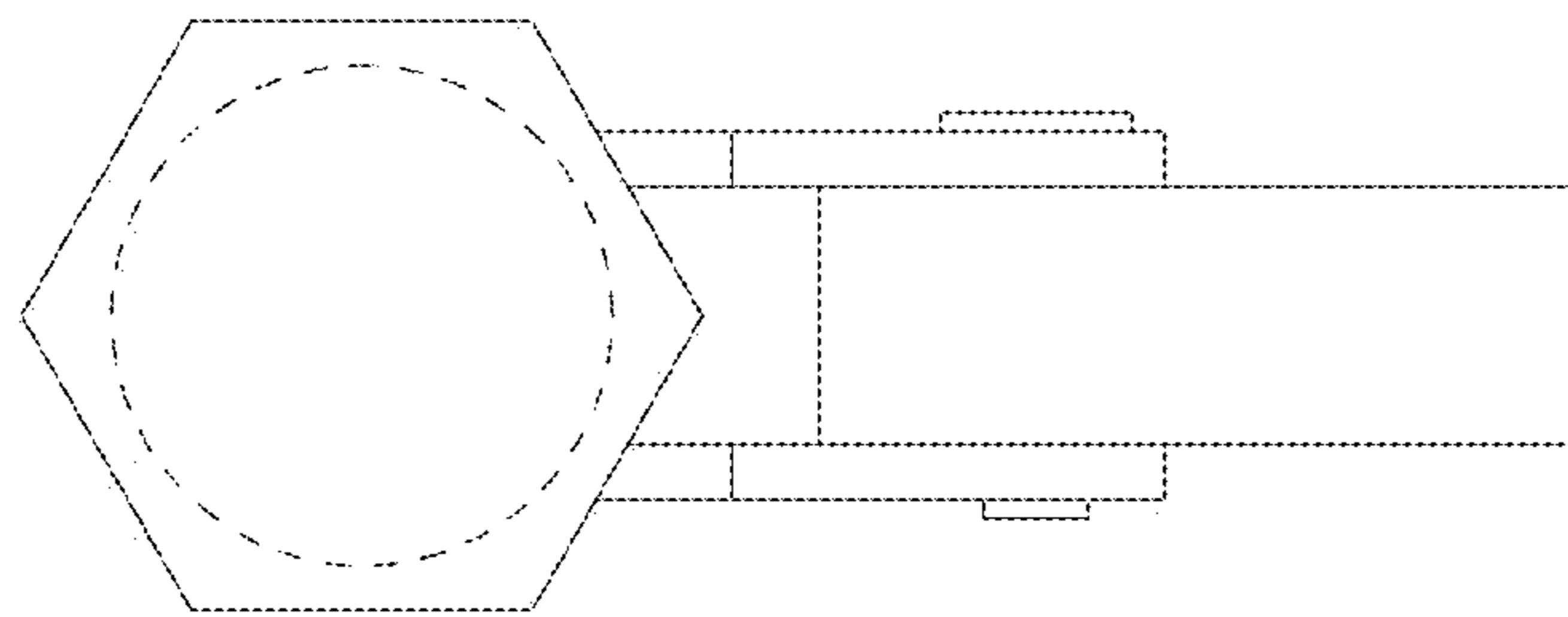


FIG. 7