

US00D957590S

(12) **United States Design Patent** (10) **Patent No.:** **US D957,590 S**
Downie et al. (45) **Date of Patent:** **** Jul. 12, 2022**

(54) **MULTIPOINT BODY FOR MAGNETIC FILTER**

(56) **References Cited**

U.S. PATENT DOCUMENTS

(71) Applicant: **Adey Holdings (2008) Limited**,
Cheltenham (GB)
(72) Inventors: **Simon Downie**, Cheltenham (GB);
Alan Ferry, Cheltenham (GB);
Kashem Pathan, Cheltenham (GB)
(73) Assignee: **ADEY HOLDINGS (2008) LIMITED**,
Cheltenham (GB)

D199,139	S	*	9/1964	Kudlaty	D23/209
D412,549	S	*	8/1999	Redhead	D23/233
D748,226	S	*	1/2016	Aoki	D23/233
9,334,971	B2	*	5/2016	Brouwer	F16K 11/0743
D835,232	S	*	12/2018	Adey	D23/209
D852,321	S	*	6/2019	Downie	D23/209
D852,322	S	*	6/2019	Downie	D23/209
10,352,463	B2	*	7/2019	Forrestal	G05D 23/1346
D876,585	S	*	2/2020	Li	D23/233
D917,668	S	*	4/2021	Xie	D23/233
D919,049	S	*	5/2021	Li	D23/233
D928,916	S	*	8/2021	Shim	D23/233
2020/0179943	A1	*	6/2020	Downie	B03C 1/286

(**) Term: **15 Years**

* cited by examiner

(21) Appl. No.: **29/701,055**

Primary Examiner — Amy C Wierenga

(22) Filed: **Aug. 8, 2019**

(74) *Attorney, Agent, or Firm* — Jacob M. Ward; Ward Law Office LLC

(30) **Foreign Application Priority Data**

Feb. 26, 2019 (GB) 6055431

(51) **LOC (13) Cl.** **23-01**

(52) **U.S. Cl.**
USPC **D23/262**; D23/206

(58) **Field of Classification Search**
USPC D23/200, 206–209, 233–237, 259,
D23/322–323, 213, 230–232, 245, 365,
D23/262–263, 266, 268, 231–232, 265;
210/222–223; 209/39; D13/147;
138/26, 30; 285/9.1, 129.1, 133.11,
285/207.5, 208, 210, 213
CPC ... F28F 23/02; F28F 2250/08; F16L 2201/30;
F16L 25/00; F16L 55/04; F16K 51/36;
F16K 1/42; F16K 7/17; B01D 27/08;
B01D 24/10; B01D 33/50; B05B 1/18;
C02F 1/003; E03C 1/02

See application file for complete search history.

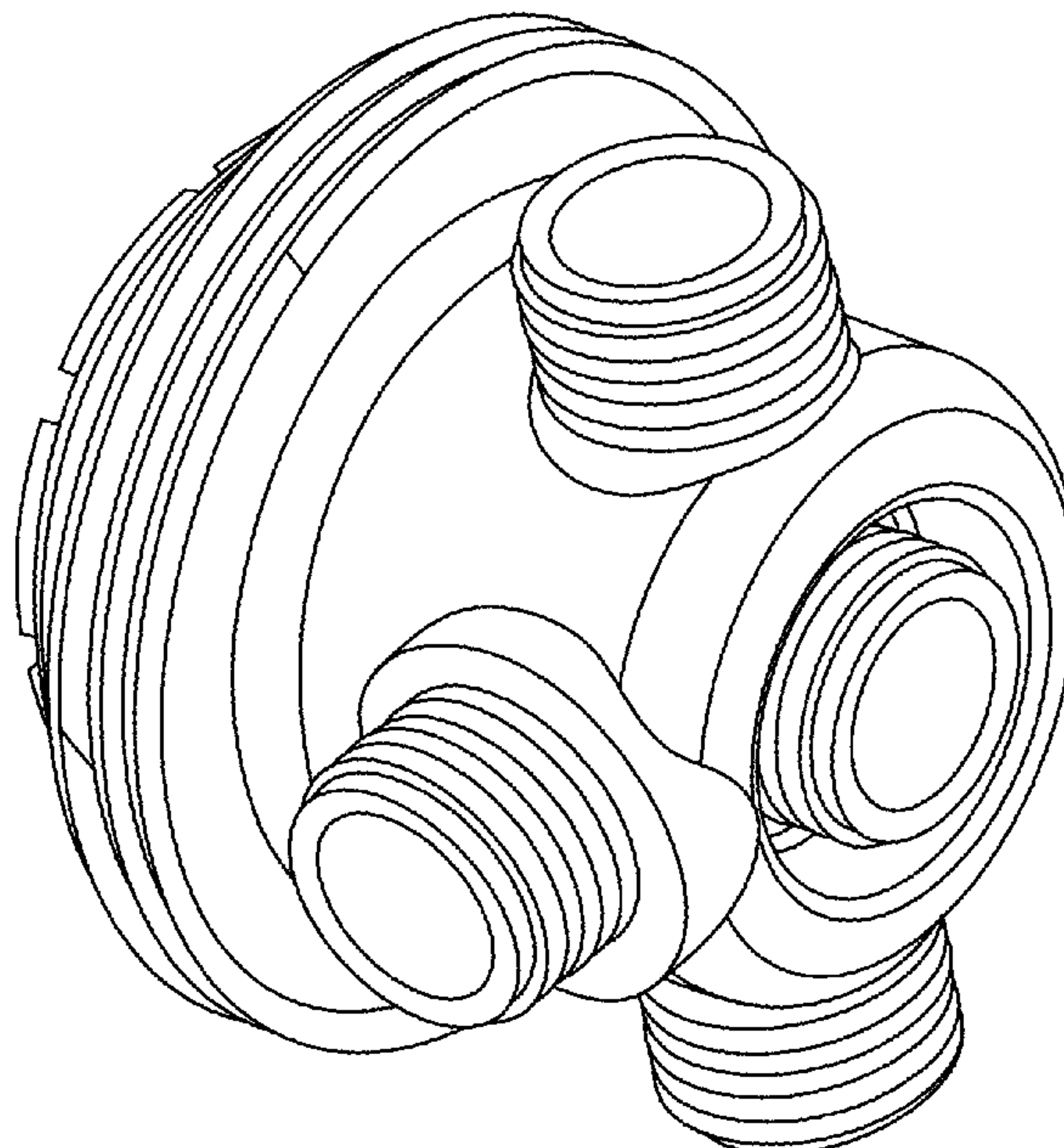
(57) **CLAIM**

The ornamental design for a multipoint body for magnetic filter, as shown and described.

DESCRIPTION

FIG. 1 is a top perspective view of a multipoint body for magnetic filter;
FIG. 2 is a left side elevational view of the multipoint body for magnetic filter shown in FIG. 1;
FIG. 3 is a right side elevational view thereof;
FIG. 4 is a rear elevational view thereof;
FIG. 5 is a front elevational view thereof;
FIG. 6 is a bottom plan view thereof; and,
FIG. 7 is a top plan view thereof.
The dashed broken lines depict portions of the multipoint body for magnetic filter that form no part of the claim.

1 Claim, 4 Drawing Sheets



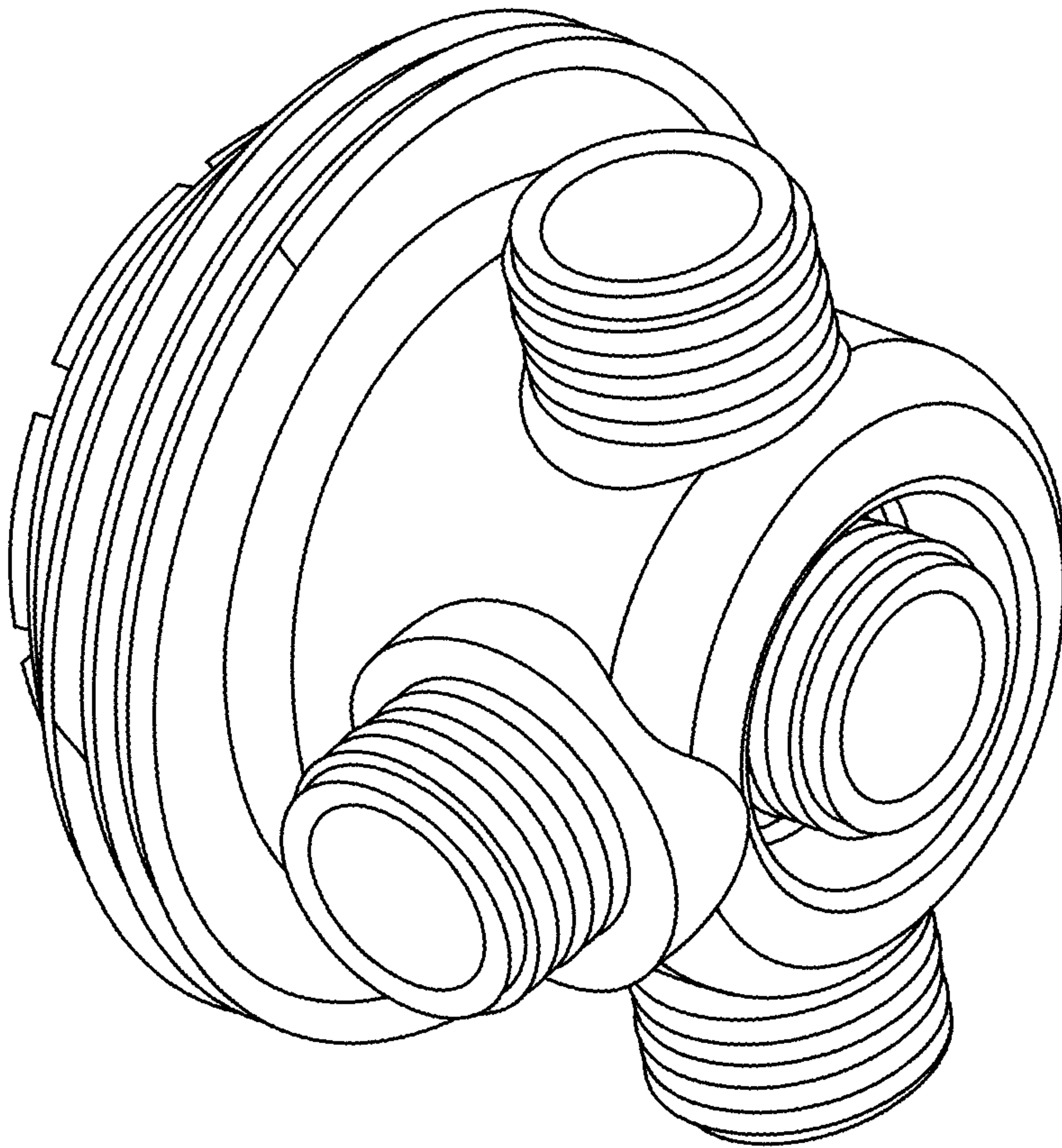
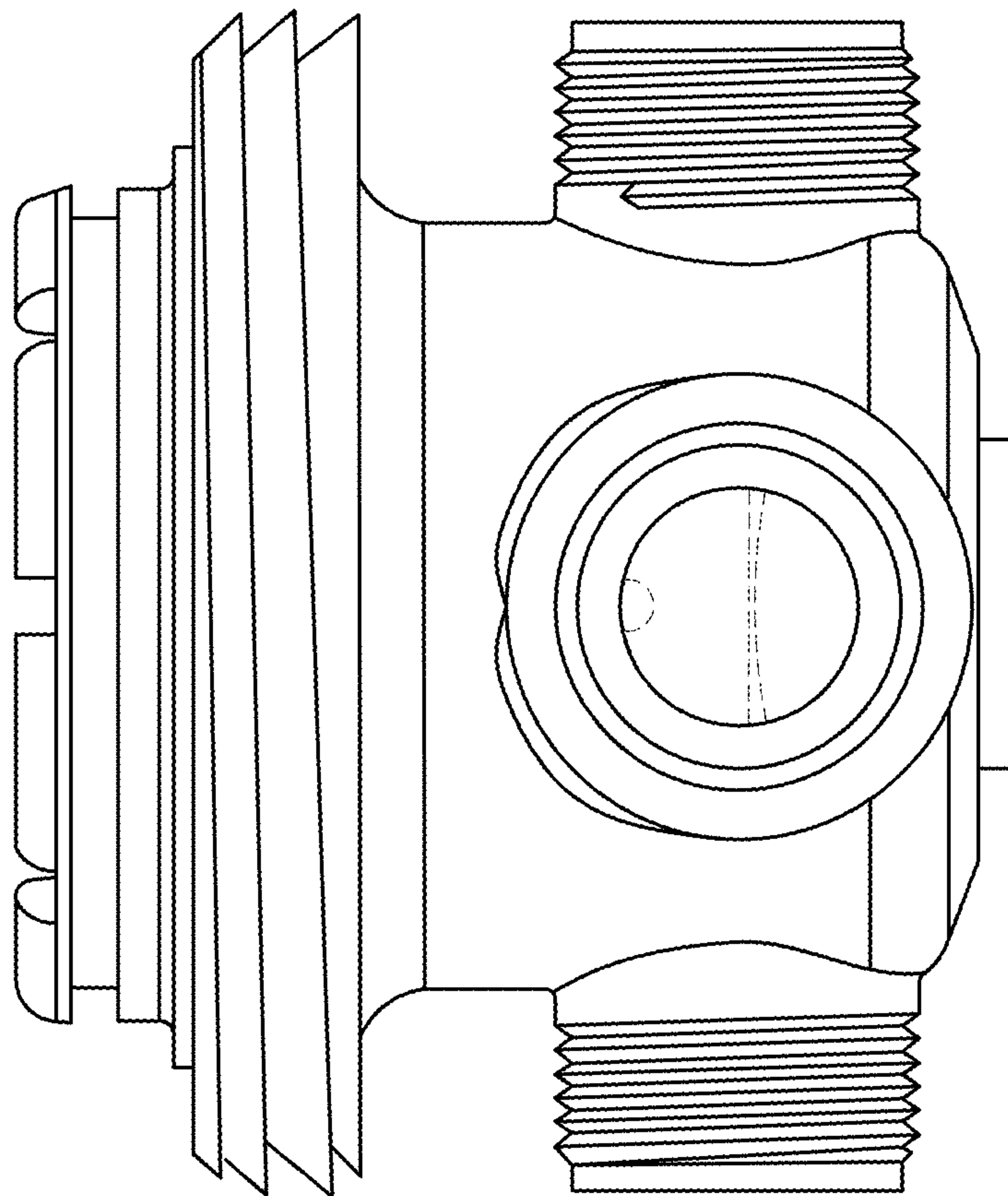


Fig. 1

Fig. 2



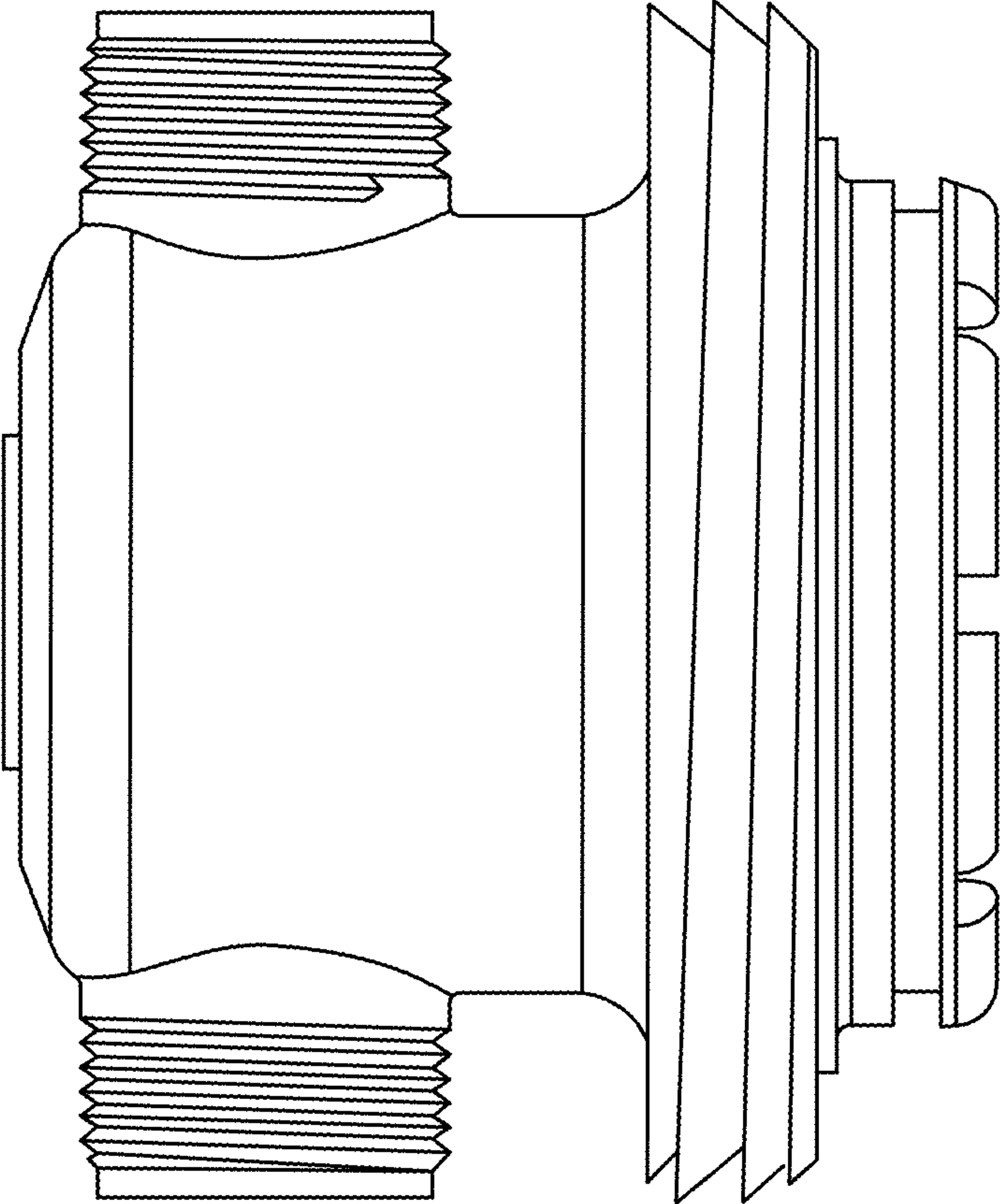


Fig. 3

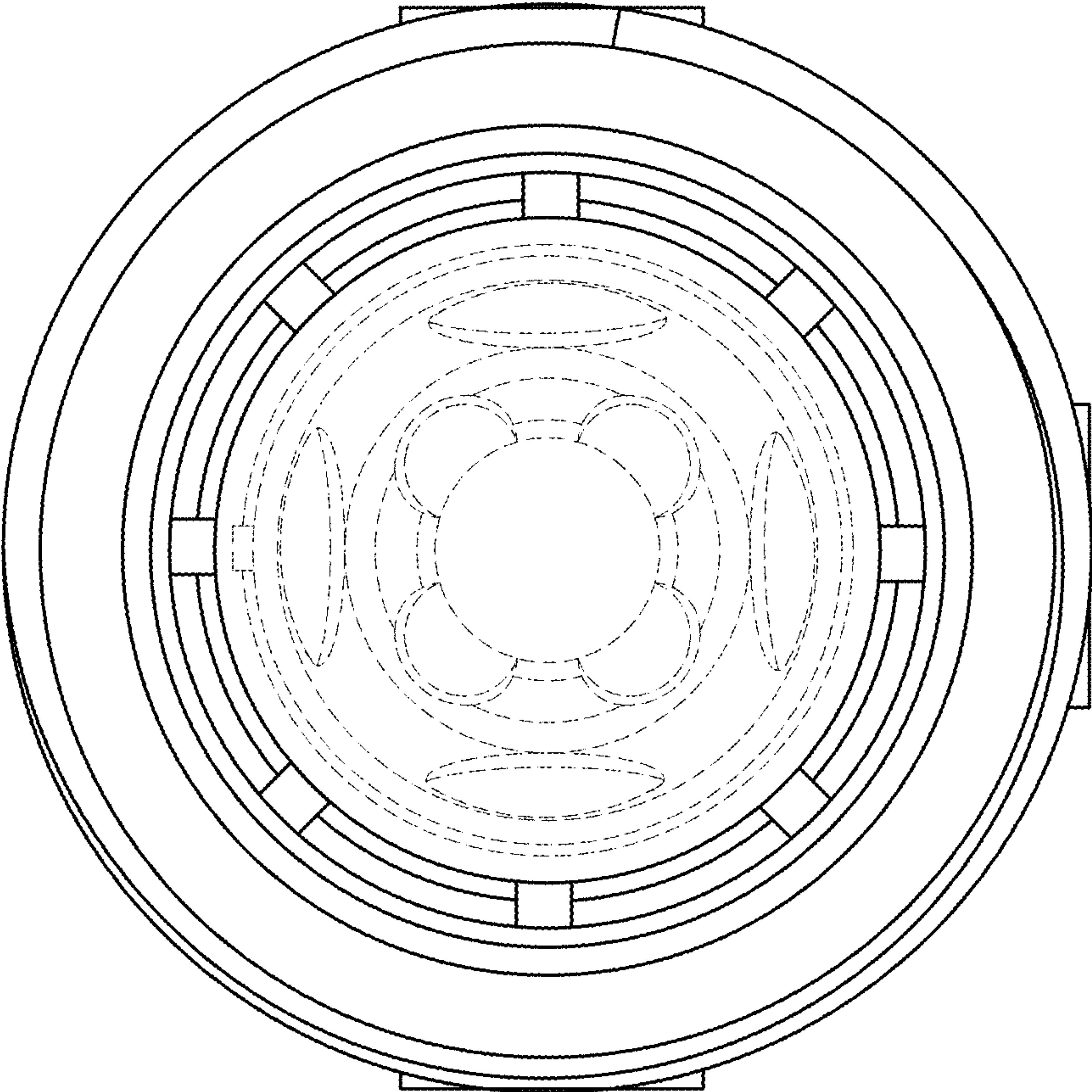


Fig. 4

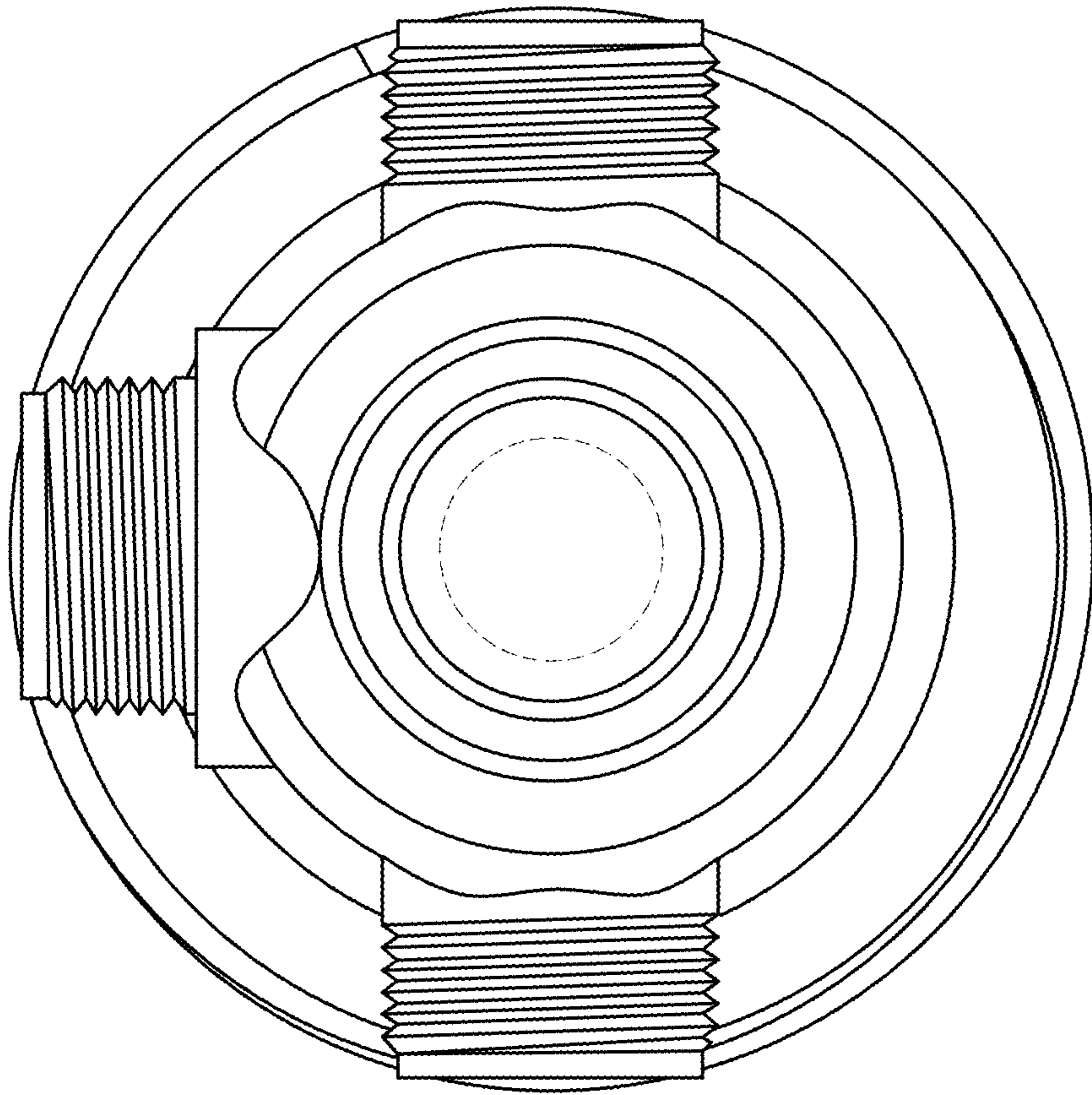


Fig. 5

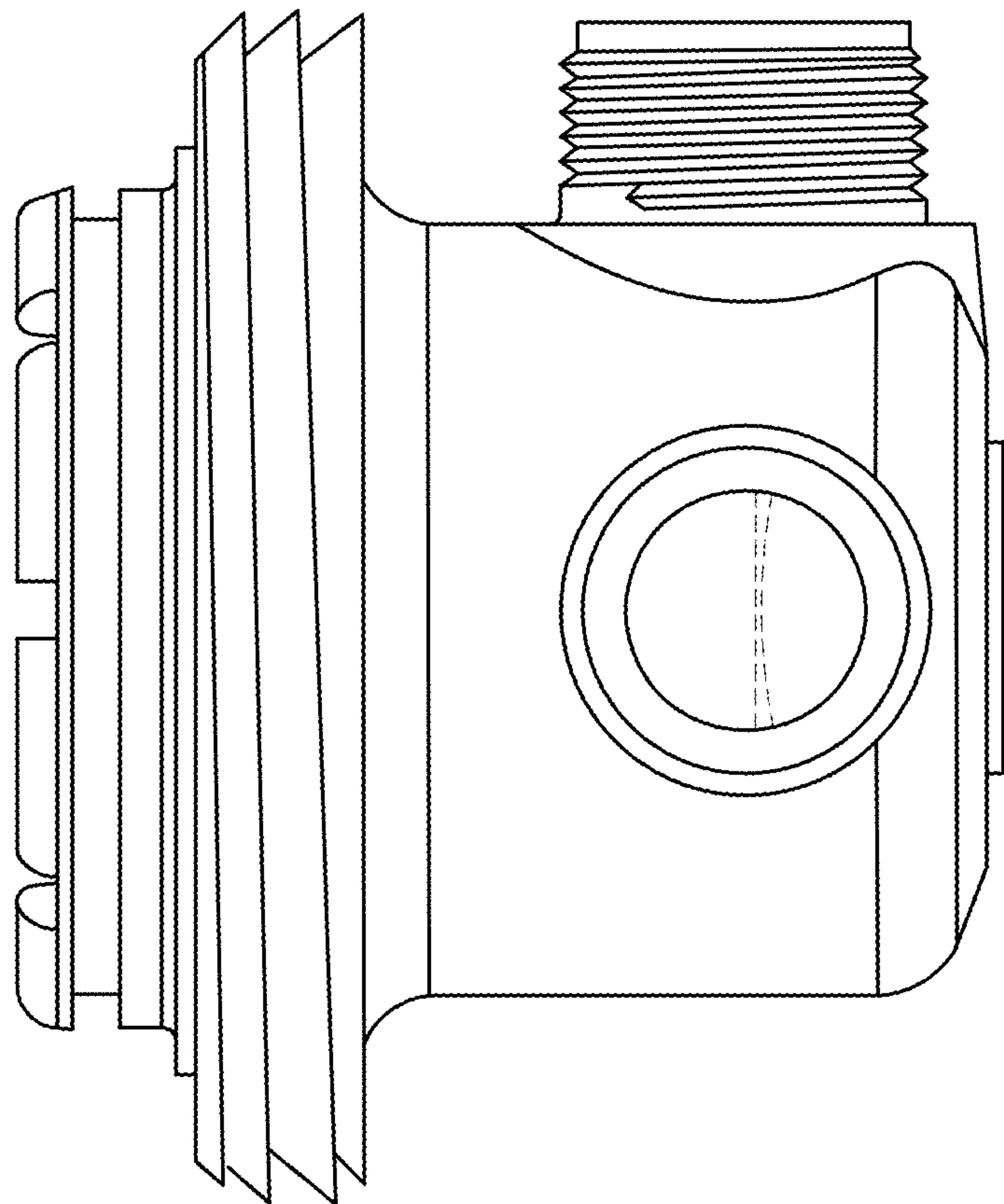


Fig. 6

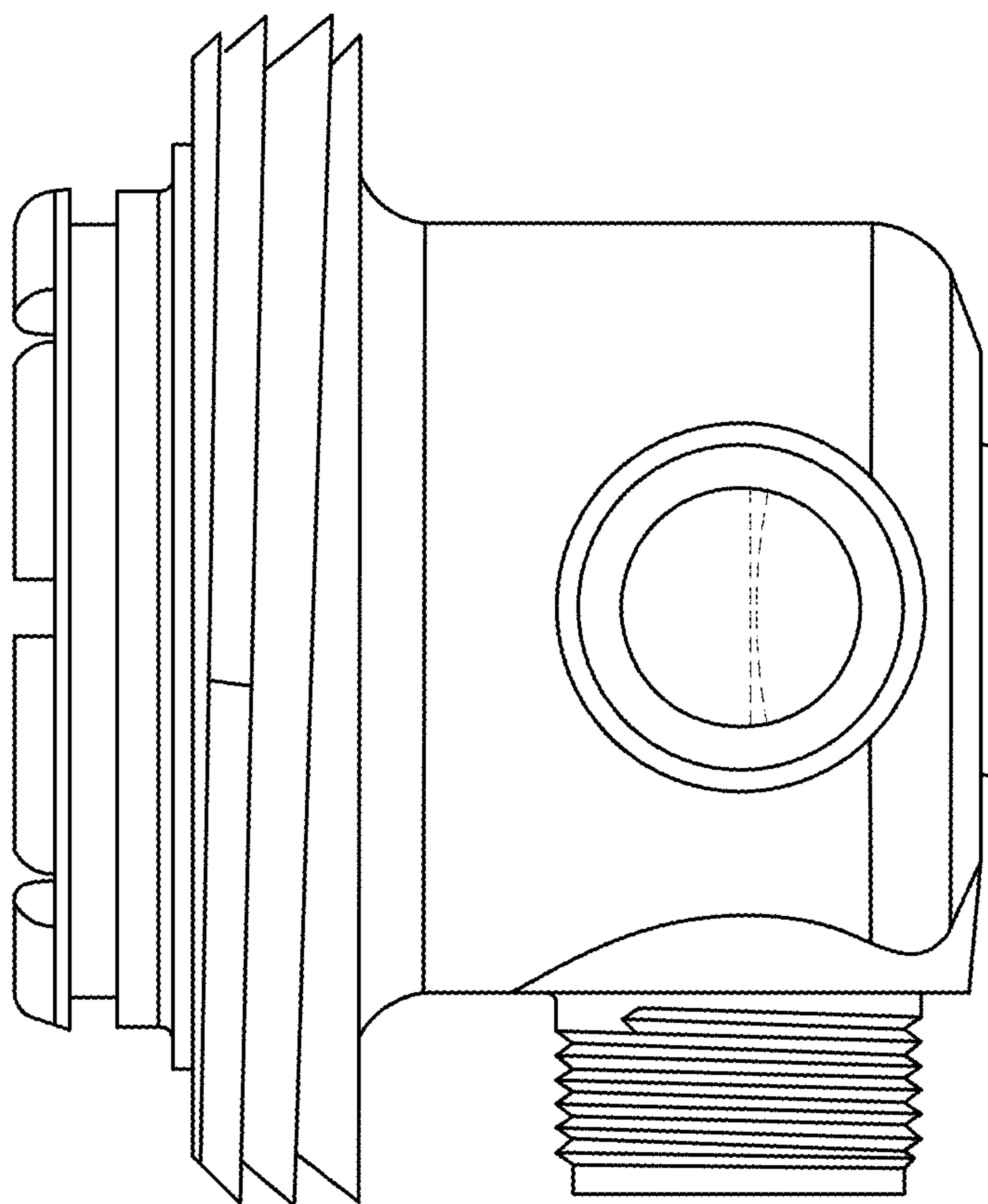


Fig. 7